

# WEATHER SHIELD®

WINDOWS & DOORS



TECHNICAL SPECIFICATIONS

Premium Series



# WHY WEATHER SHIELD?



## TABLE OF CONTENTS

WHY WEATHER SHIELD .....	02	DOUBLE HUNG WINDOWS.....	11	HINGED PATIO DOORS .....	65
TECHNICAL INFORMATION .....	04	CASEMENT WINDOWS .....	29	BI-FOLD PATIO DOORS .....	107
ARCHITECTURAL SERVICES.....	06	AWNING WINDOWS.....	51	SLIDING PATIO DOORS.....	117
PREMIUM SERIES .....	08	SPECIALTY SHAPES .....	56	LIFT AND SLIDE DOORS .....	132
UNIT SIZE CONVERSIONS .....	10	SLIDER WINDOWS.....	60	MULTI-SLIDE DOORS .....	164





## 5 REASONS TO CONSIDER WEATHER SHIELD

With hundreds of window and door manufacturers to choose from, it can be difficult to distinguish one company from another. We thought it might be helpful to share a few of the things that set Weather Shield apart from the rest.

### 1 Continuous Innovation

At Weather Shield, we never stop searching for ways to improve both our products and our processes. The goal of discovering new and innovative solutions has always been part of our DNA. That's why we have our own dedicated Research and Development Center and the largest onsite test lab in the industry. Not a day goes by when we aren't working on building a better product.

### 2 Best-In-Class Warranty

At Weather Shield, we do more than talk about our dedication to craftsmanship and quality materials. We back our products with a warranty against defects in material or workmanship for a period of 20 years, and against wood rot on all clad products for 30 years\*. So you can be confident you're getting an outstanding product from a trustworthy company.

### 3 Design Flexibility

When you design with Weather Shield, you have options. Our casements alone allow you to create more than 6,000,000 different configurations.

Choose from an impressive array of wood interiors and finishes, along with a myriad of exterior colors. We also offer some of the industry's largest expanses of glass for framing spectacular views. Whatever the style, whatever the size, nobody gives you more choices than Weather Shield.

### 4 Energy Efficiency Without Sacrifice

Through our innovative use of materials and design, we're able to offer industrial strength efficiency with refined appearance. We're very deliberate in our use of energy efficient materials to drive performance where it matters most. We're proud to offer an extensive number of beautifully designed ENERGY STAR® rated products.

### 5 Family Owned and Operated

For more than 60 years, Weather Shield has remained a family-owned and operated company. That allows us the freedom to take a long-term perspective and keep our focus on serving customer needs rather than a singular focus of achieving quarterly financial targets.

As we've grown to become a respected national brand, we've seen technology and materials evolve. But our core values have never changed. Today, we remain dedicated to building long-term relationships and crafting innovative products that meet the needs of our customers

\*For more specific information regarding our warranty, visit [weathershield.com/warranties](https://weathershield.com/warranties).



TECHNICAL INFORMATION





# ARCHITECTURALLY INSPIRED. TECHNOLOGICALLY ADVANCED.

Weather Shield creates the highest quality windows and doors in the industry. We stand by our commitment to innovative and performance-driven products while delivering on our promises— so you can deliver on yours.

## Many Distinct Lines, One Powerful Impact

Weather Shield offers several comprehensive product lines to fit whatever your clients needs may be. Our Contemporary Collection offers the perfect complement to modern design, with a sleek contemporary aesthetic and uncompromising quality. The Premium Series represents our deluxe line of aluminum clad wood windows and patio doors, while the Premium Coastal line is the perfect solution for high-end, high-quality products tailored to the specific needs of coastal regions. The Signature Series offers our most popular options at a mid-price point, also boasting aluminum clad wood windows and doors. Finally, the Aspire Series is a vinyl clad product line at an outstanding value.

## A Reputation of Quality

Our highly innovative, top performing, and beautifully crafted windows and doors offer design flexibility with countless options to perfectly meet your clients' needs. Weather Shield is an industry leader in energy efficiency and an ENERGY STAR® partner — translating to long-term financial savings in your clients' homes. We pride ourselves on our knowledgeable inside sales staff and experienced field service and architectural support, so you'll always have backup.

## The Information You Need, At Your Fingertips

Inside this catalog, you'll find:

- Standard product sizes and dimensions
- Visual comparisons between product sizes
- Product details and proportions between parts
- Opening information for egress requirements
- Vent and DLO information for HVAC calculations
- Unit size conversions for exterior trim

For additional information, please visit [weathershield.com](http://weathershield.com)





ARCHITECTURAL SERVICES



# ARCHITECTURAL SERVICES

Weather Shield's architectural team is here to help you solve your design challenges. Whether you're dealing with the requirements of an historic renovation, designing a one-of-a-kind configuration or facing stringent structural or thermal demands, we're ready, willing and able to help you get it right.

## Weather Shield Products are Ideally Suited for Several Commercial Project Types

- Educational Facilities
- Office Buildings
- Retail Buildings
- Restaurants
- Hotels/Resorts
- Recreational Facilities
- Religious Facilities
- Municipal Buildings
- Government Facilities
- Assisted Living
- Senior Housing
- Adaptive Re-use
- Historic Projects
- Multi-Family

## Build it Right. Stand Behind It.

We design and manufacture stunning windows and doors that perform to the highest standards. Energy efficiency at every stage makes thermal performance only the beginning. Weather Shield offers sustainable production, energy efficient designs and glass coatings, LEED assistance for architects and builders, as well as the availability of FSC® certified wood.



## Pre-Project Architectural Consultation Services

- Specification writing
- Assistance with product selection
- Custom product design consultation
- Code Compliance assessment
- Test Reports
- LEED Assistancess
- Samples and submittals
- Complete project management

## Architectural Tools

- Detailed 2D CAD Library
- 3D Revit Models/BIM Library
- Rapid prototyping/solid modeling
- AIA continuing education programs



## Starting Your Next Project

To contact a specialist in our architectural consultation group, call **1-800-538-8836**.

Business hours are 8:00 am - 5:00 pm CST, Monday - Friday.

Or email [archservices@weathershield.com](mailto:archservices@weathershield.com).

For drawing and technical information and to find a dealer in your area visit [weathershield.com](http://weathershield.com).



PREMIUM SERIES





# PREMIUM LUXURY

The Weather Shield Premium Series® features aluminum clad wood windows and doors that are designed to meet the needs of the most discriminating architects and homeowners. This elite line of products is tailored to a high-end customer base seeking exquisitely crafted doors and windows with a luxury feel.



## Premium Series Overview

The Premium Series boasts a wide range of products and options, all in our famous, premium quality. Window offerings include double hung, casement, awning, slider, and specialty shape windows. Doors include sliding and hinged patio doors, as well as lift and slide and bi-fold doors. Interior and exterior options abound, with the option to choose wood grain and color to complement any design.

## Premium Energy Efficiency

Weather Shield Premium Series products are certified and labeled according to the highest standards set by the Window and Door Manufacturers Association (WDMA)/National Fenestration Ratings Council Certification (NFRC) Program. We also maximize windows' energy efficiency with the exclusive Zo-e-shield® glazing system. With powerful layers of Low-E coating, optional EasyCare® surface coating, inert gas-filled insulating airspace, and Real Warm Edge® spacers, our Premium glazing options represent the ultimate in energy efficiency for any climate.

## A Record of Excellence

Our Premium Series products combine old-world craftsmanship with innovative designs and materials. This comprehensive collection features timeless aesthetics with the latest advancements in energy efficiency. The end result is a broad, bold and beautiful palette to help bring your client's dream design to life.


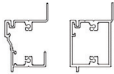
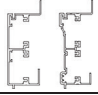
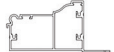
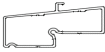

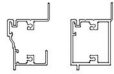
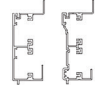

## Premium Series at a Glance

The Premium Series is our deluxe line, featuring:

- Aluminum clad wood
- A maximum range of custom color options
- Seven species of wood
- Radius operating units
- Our largest selection of product sizes



# PREMIUM SERIES UNIT SIZE CONVERSIONS

To Determine Outside of Casing Dimensions				
Premium Aluminum Clad Windows	Width	Height with Std Sill Nose	Height with 1" Bull nose	Height with 2" Bull nose
	7/8" Brick Mould Unit Size	Jamb + 1 3/4" [44mm]	Jamb + 1 5/8" [41mm]	Jamb + 1 7/8" [48mm]
	1-11/16" Brick Mould or Flat Casing Unit Size	Jamb + 3 3/8" [86mm]	Jamb + 2 7/16" [62mm]	Jamb + 2 11/16" [68mm]
	3-5/16" Flat Casing or Historical Brick Mould	Jamb + 6 5/8" [168mm]	Jamb + 4 1/16" [103mm]	Jamb + 4 5/16" [110mm]
	Mid Atlantic Casing	Jamb + 7" [178mm]	Jamb + 4 13/16" [122mm] *	* Mid Atlantic Casing uses this sill nose only 
Premium Aluminum Clad Doors	Width	Height		
	7/8" Brick Mould Unit Size	Jamb + 1 3/4" [44mm]	Jamb + 7/8" [22mm]	
	1-11/16" Brick Mould or Flat Casing Unit Size	Jamb + 3 3/8" [86mm]	Jamb + 1 11/16" [43mm]	
	3-5/16" Flat Casing or Historical Brick Mould	Jamb + 6 5/8" [168mm]	Jamb + 3 5/16" [84mm]	
	Mid Atlantic Casing	Jamb + 7" [178mm]	Jamb + 3 1/2" [89mm]	



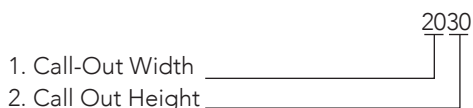
# PREMIUM SERIES DOUBLE HUNG WINDOWS

## Double Hung Windows Table of Contents

Double Hung Windows Footnotes.....	11	Double Hung Windows Cross Sections .....	23
Double Hung Windows Quick Spec Guide .....	12	Double Hung Windows Opening Specifications.....	27
Double Hung Windows Elevations.....	13		

### Size Codes:

The Weather Shield size code uses meaningful characters to denote standard sizes. For example:



### Product Information:

- Units show rectangular grille/SDL divisions.

### Egress Information:

Units in gray meet or exceed egress opening requirements per 2015 IBC (International Building Code) minimum dimensions of 20" [508mm] clear opening width, 24" [610mm] clear opening height, 5.7 sq. ft. [5295cm<sup>2</sup>] clear opening and floor to bottom of clear opening not to exceed 44" [1118mm] in height. Verify local or state egress opening sizes with your local building inspector. Floor to bottom of clear opening dimensions are based on 82" [2083mm] jamb height of Weather Shield French doors and center hinged French doors. See Opening Specification chart for reference.

# PREMIUM SERIES DOUBLE HUNG WINDOWS

## Quick Spec Guide

SPECIFICATION	STANDARD FEATURES	OPTIONAL FEATURES
<b>EXTERIOR FINISH</b>	<ul style="list-style-type: none"> <li>White</li> <li>Cameo</li> <li>Tan</li> <li>Desert Tan</li> <li>Heritage Brown</li> <li>Adobe</li> <li>Craftsman Bronze</li> <li>Brick Red</li> <li>Hartford Green</li> <li>Gray Matters</li> <li>Obsidian</li> <li>Jet Black</li> </ul>	<ul style="list-style-type: none"> <li>4 Radiant Metallic</li> <li>45 Designer</li> <li>8 Anodized</li> <li>Custom Color</li> </ul>
<b>EXTERIOR TRIM</b>	<ul style="list-style-type: none"> <li>Integral Nail Fin</li> </ul>	<ul style="list-style-type: none"> <li>7/8" Brickmold</li> <li>1-11/16" Brickmold</li> <li>1-11/16" Flat Casing</li> <li>3-5/16" Flat Casing</li> <li>Historical Brickmold</li> <li>3/4" Sill Nosing</li> <li>1" Bull Nose</li> <li>1" Full Round Bull Nose</li> <li>2" Bull Nose</li> </ul>
<b>INTERIOR FINISH</b>	<ul style="list-style-type: none"> <li>Natural</li> </ul>	<ul style="list-style-type: none"> <li>Clear Satin</li> <li>Fruitwood</li> <li>Rich Mahogany</li> <li>Primed</li> <li>Golden Oak</li> <li>Chestnut</li> <li>Prefinished White &amp; Black</li> <li>Poly – 12 Standard / 45 Designer</li> </ul>
<b>INTERIOR SPECIES</b>	<ul style="list-style-type: none"> <li>Pine</li> </ul>	<ul style="list-style-type: none"> <li>Oak</li> <li>Maple</li> <li>Alder (Character)</li> <li>Cherry</li> <li>Mahogany</li> <li>Douglas Fir</li> </ul>
<b>SIZE</b>	<ul style="list-style-type: none"> <li>Width Double Hung and Double Hung Picture Units 1-6, 2-0, 2-6, 2-8, 2-10, 3-0, 3-2, 3-6, 4-0 Double Hung Picture Units 4-6, 5-0, 5-6, 6-0</li> <li>Height Double Hung and Double Hung Picture Units 3-0, 3-6, 4-0, 4-6, 4-8, 5-0, 5-2, 5-6, 6-0, 6-6, 7-0, 7-6, 8-0</li> </ul>	<ul style="list-style-type: none"> <li>Double Hung: Any jamb width: 15" to 59-1/2"</li> <li>Double Hung Picture Units: Any jamb width: 15" to 119-1/2"</li> <li>Double Hung: Any jamb height: 29-1/2" to 119-1/2"</li> <li>Double Hung Picture Units: Any jamb height: 17-1/4" to 119-1/2"</li> </ul>
<b>GLAZING</b>	<ul style="list-style-type: none"> <li>Low-E Insulating Glass</li> </ul>	<ul style="list-style-type: none"> <li>Clear IG</li> <li>Low-E 240</li> <li>Zo-e-shield 5</li> <li>Zo-e-shield Extreme</li> <li>Zo-e Shield 6 (laminated)</li> <li>Grey or Bronze Tint</li> <li>Obscure</li> <li>Tempered</li> </ul>
<b>GRILLES</b>		<ul style="list-style-type: none"> <li>GBG: 5/8" Flat or 11/16" Sculptured</li> <li>SDL: 5/8", 7/8", 1-1/8", 2"</li> <li>Wood Grille: 7/8"</li> </ul>
<b>HARDWARE</b>	<ul style="list-style-type: none"> <li>Contemporary Sash Lock</li> <li>Wood wrapped jamb liner</li> </ul>	<ul style="list-style-type: none"> <li>Historical Sash Lock</li> <li>Manual Tilt Latches</li> <li>Limit Stops</li> <li>WOCD</li> <li>Sash Lift Handles</li> <li>Tan or White jamb liner</li> </ul>
<b>HARDWARE COLOR</b>	<ul style="list-style-type: none"> <li>Tan</li> <li>Rustic Bronze</li> <li>White</li> <li>Black</li> </ul>	<ul style="list-style-type: none"> <li>Brushed Nickel</li> <li>Bright Brass</li> </ul>
<b>JAMB</b>	<ul style="list-style-type: none"> <li>4-9/16"</li> </ul>	<ul style="list-style-type: none"> <li>4-9/16 Min</li> <li>12" Max</li> </ul>
<b>SCREENS</b>	<ul style="list-style-type: none"> <li>Full Screen</li> <li>No-See-um Mesh</li> </ul>	<ul style="list-style-type: none"> <li>Half Screen</li> <li>Aluminum Non-Glare</li> </ul>
<b>SCREEN FRAME COLOR</b>	<ul style="list-style-type: none"> <li>Color matches exterior unit color</li> </ul>	



# PREMIUM SERIES DOUBLE HUNG WINDOWS (8109)

## Elevations

Jamb Dimension	1'-5 1/2"	1'-11 1/2"	2'-5 1/2"	2'-7 1/2"	2'-9 1/2"	2'-11 1/2"	3'-1 1/2"	3'-5 1/2"	3'-11 1/2"
Rough Opening	1'-6"	2'-0"	2'-6"	2'-8"	2'-10"	3'-0"	3'-2"	3'-6"	4'-0"
Metric R.O. (mm)	457	610	762	813	864	914	965	1067	1219
Class Size	12"	18"	24"	26"	28"	30"	32"	36"	42"
2'-11 1/2"									
3'-0"	1630	2030	2630	2830	21030	3030	3230	3630	4030
3'-5 1/2"									
3'-6"	1636	2036	2636	2836	21036	3036	3236	3636	4036
3'-11 1/2"									
4'-0"	1640	2040	2640	2840	21040	3040	3240	3640	4040
4'-5 1/2"									
4'-6"	1646	2046	2646	2846	21046	3046	3246	3646	4046
4'-7 1/2"									
4'-8"	1648	2048	2648	2848	21048	3048	3248	3648	4048
4'-11 1/2"									
5'-0"	1650	2050	2650	2850	21050	3050	3250	3650	4050
5'-1 1/2"									
5'-2"	1652	2052	2652	2852	21052	3052	3252	3652	4052
5'-5 1/2"									
5'-6"	1656	2056	2656	2856	21056	3056	3256	3656	4056
5'-11 1/2"									
6'-0"	1660	2060	2660	2860	21060	3060	3260	3660	4060

### Optional Sash Configurations

Available for these heights, and all widths.

Cottage Sash Configuration	Oriel Sash Configuration
CO-2840	OR-2840
CO-2846	OR-2846
CO-2848	OR-2848
CO-2850	OR-2850
CO-2852	OR-2852
CO-2856	OR-2856

 2 - Wide Width Dimensions				 3 - Wide Width Dimensions			
Base Code	Jamb Dimension (Frame Size)	Rough Opening	Metric R.O. (mm)	Base Code	Jamb Dimension (Frame Size)	Rough Opening	Metric R.O. (mm)
DH2-16	2'-11 1/16"	2'-11 9/16"	903	DH3-16	4'-4 5/8"	4'-5 1/8"	1372
DH2-20	3'-11 1/16"	3'-11 9/16"	1208	DH3-20	5'-10 5/8"	5'-11 1/8"	1807
DH2-26	4'-11 1/16"	4'-11 9/16"	1208	DH3-26	7'-4 5/8"	7'-5 1/8"	2264
DH2-28	5'-3 1/16"	5'-3 9/16"	1411	DH3-28	7'-10 5/8"	7'-11 1/8"	2416
DH2-210	5'-7 1/16"	5'-7 9/16"	1716	DH3-210	8'-4 5/8"	8'-5 1/8"	2569
DH2-30	5'-11 1/16"	5'-11 9/16"	1818	DH3-30	8'-10 5/8"	8'-11 1/8"	2721
DH2-32	6'-3 1/16"	6'-3 9/16"	1919	DH3-32	9'-4 5/8"	9'-5 1/8"	2873
DH2-36	6'-11 1/16"	6'-11 9/16"	2122				
DH2-40	7'-11 1/16"	7'-11 9/16"	2427				



# PREMIUM SERIES DOUBLE HUNG WINDOWS (8109)

## Elevations

Jamb Dimension	1'-5 1/2"	1'-11 1/2"	2'-5 1/2"	2'-7 1/2"	2'-9 1/2"	2'-11 1/2"	3'-1 1/2"	3'-5 1/2"	3'-11 1/2"
Rough Opening	1'-6"	2'-0"	2'-6"	2'-8"	2'-10"	3'-0"	3'-2"	3'-6"	4'-0"
Metric R.O. (mm)	457	610	762	813	864	914	965	1067	1219
Class Size	12"	18"	24"	26"	28"	30"	32"	36"	42"

6'-5 1/2"									
6'-6"	1666	2066	2666	2866	21066	3066	3266	3666	4066
6'-11 1/2"									
7'-0"	1670	2070	2670	2870	21070	3070	3270	3670	4070
7'-5 1/2"									
7'-6"	1676	2076	2676	2876	21076	3076	3276	3676	4076
7'-11 1/2"									
8'-0"	1680	2080	2680	2880	21080	3080	3280	3680	4080

 <b>2 - Wide</b> Width Dimensions				 <b>3 - Wide</b> Width Dimensions			
Base Code	Jamb Dimension (Frame Size)	Rough Opening	Metric R.O. (mm)	Base Code	Jamb Dimension (Frame Size)	Rough Opening	Metric R.O. (mm)
DH2-16	2'-11 1/16"	2'-11 9/16"	903	DH3-16	4'-4 5/8"	4'-5 1/8"	1372
DH2-20	3'-11 1/16"	3'-11 9/16"	1208	DH3-20	5'-10 5/8"	5'-11 1/8"	1807
DH2-26	4'-11 1/16"	4'-11 9/16"	1208	DH3-26	7'-4 5/8"	7'-5 1/8"	2264
DH2-28	5'-3 1/16"	5'-3 9/16"	1411	DH3-28	7'-10 5/8"	7'-11 1/8"	2416
DH2-210	5'-7 1/16"	5'-7 9/16"	1716	DH3-210	8'-4 5/8"	8'-5 1/8"	2569
DH2-30	5'-11 1/16"	5'-11 9/16"	1818	DH3-30	8'-10 5/8"	8'-11 1/8"	2721
DH2-32	6'-3 1/16"	6'-3 9/16"	1919	DH3-32	9'-4 5/8"	9'-5 1/8"	2873
DH2-36	6'-11 1/16"	6'-11 9/16"	2122				
DH2-40	7'-11 1/16"	7'-11 9/16"	2427				



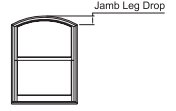
# PREMIUM SERIES 1-WIDE EYEBROW DOUBLE HUNG WINDOWS (8109)

## Elevations

Jamb Dimension	1'-11 1/2"	2'-5 1/2"	2'-7 1/2"	2'-9 1/2"	2'-11 1/2"	3'-1 1/2"	3'-5 1/2"	3'-11 1/2"
Rough Opening	2'-0"	2'-6"	2'-8"	2'-10"	3'-0"	3'-2"	3'-6"	4'-0"
Metric R.O. (mm)	610	762	813	864	914	965	1067	1219
Class Size	18"	24"	26"	28"	30"	32"	36"	42"
Jamb Radius	24"	30"	30"	36"	36"	36"	40"	40"
Jamb Leg Drop	3 1/16"	3 7/8"	4 15/32"	4 1/8"	4 11/16"	5 9/32"	5 13/16"	7 13/16"

	Top	Bottom								
2'-11 1/2"	3'-0"	914	2030	2630	2830	21030	3030	3230	3630	4030
3'-5 1/2"	3'-6"	1067	2036	2636	2836	21036	3036	3236	3636	4036
3'-11 1/2"	4'-0"	1219	2040	2640	2840	21040	3040	3240	3640	4040
4'-5 1/2"	4'-6"	1372	2046	2646	2846	21046	3046	3246	3646	4046
4'-7 1/2"	4'-8"	1422	2048	2648	2848	21048	3048	3248	3648	4048
4'-11 1/2"	5'-0"	1524	2050	2650	2850	21050	3050	3250	3650	4050
5'-1 1/2"	5'-2"	1575	2052	2652	2852	21052	3052	3252	3652	4052
5'-5 1/2"	5'-6"	1676	2056	2656	2856	21056	3056	3256	3656	4056
5'-11 1/2"	6'-0"	1829	2060	2660	2860	21060	3060	3260	3660	4060



For jamb leg heights subtract leg drop from height

# PREMIUM SERIES

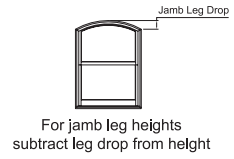
# 1-WIDE EYEBROW DOUBLE HUNG WINDOWS (8109)

## Elevations

DOUBLE HUNG

Jamb Dimension	1'-11 1/2"	2'-5 1/2"	2'-7 1/2"	2'-9 1/2"	2'-11 1/2"	3'-1 1/2"	3'-5 1/2"	3'-11 1/2"
Rough Opening	2'-0"	2'-6"	2'-8"	2'-10"	3'-0"	3'-2"	3'-6"	4'-0"
Metric R.O. (mm)	610	762	813	864	914	965	1067	1219
Glass Size	18"	24"	26"	28"	30"	32"	36"	42"
Jamb Radius	24"	30"	30"	36"	36"	36"	40"	40"
Jamb Leg Drop	3 1/16"	3 7/8"	4 15/32"	4 1/8"	4 11/16"	5 1/4"	5 13/16"	7 13/16"

Top	Jamb Dimension							
	1'-11 1/2"	2'-5 1/2"	2'-7 1/2"	2'-9 1/2"	2'-11 1/2"	3'-1 1/2"	3'-5 1/2"	3'-11 1/2"
6'-5 1/2"	2066	2666	2866	21066	3066	3266	3666	4066
6'-6"								
6'-6"								
1981								
35 9/16"								
34 11/16"								
6'-11 1/2"	2070	2670	2870	21070	3070	3270	3670	4070
7'-0"								
2134								
38 9/16"								
37 11/16"								
7'-5 1/2"	2076	2676	2876	21076	3076	3276	3676	4076
7'-6"								
2286								
41 9/16"								
40 11/16"								
7'-11 1/2"	2080	2680	2880	21080	3080	3280	3680	4080
8'-0"								
2438								
44 9/16"								
43 11/16"								



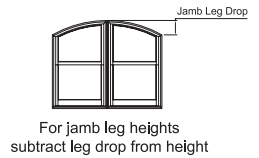


# PREMIUM SERIES 2-WIDE EYEBROW DOUBLE HUNG WINDOWS (8109)

## Elevations

Jamb Dimension	2'-11 1/16"	3'-11 1/16"	4'-11 1/16"	5'-3 1/16"	5'-7 1/16"	5'-11 1/16"	6'-3 1/16"
Rough Opening	2'-11 9/16"	3'-11 9/16"	4'-11 9/16"	5'-3 9/16"	5'-7 9/16"	5'-11 9/16"	6'-3 9/16"
Metric R.O. (mm)	903	1208	1513	1614	1716	1818	1919
Glass Size	12"	18"	24"	26"	28"	30"	32"
Jamb Radius	48"	48"	60"	60"	72"	72"	72"
Jamb Leg Drop	3 5/16"	6 5/32"	7 3/4"	8 31/32"	8 9/32"	9 3/8"	10 9/16"

	Top	14 1/2"	13 11/16"	17 1/2"	16 11/16"	20 1/2"	19 11/16"	23 1/2"	22 11/16"	24 1/2"	23 11/16"	26 1/2"	25 11/16"	27 1/2"	26 11/16"	29 1/2"	28 11/16"	32 1/2"	31 11/16"																																												
	Bottom	3'-0"	914	3'-6"	1067	4'-0"	1219	4'-6"	1372	4'-8"	1422	5'-0"	1524	5'-2"	1575	5'-6"	1676	6'-0"	1829																																												
Jamb Dimension	2'-11 1/2"	3'-5 1/2"	3'-11 1/2"	4'-5 1/2"	4'-7 1/2"	4'-11 1/2"	5'-1 1/2"	5'-5 1/2"	5'-9 1/2"	5'-11 1/2"	6'-3 1/2"	6'-7 1/2"	6'-11 1/2"	7'-1 1/2"	7'-5 1/2"	7'-9 1/2"	8'-3 1/2"	8'-7 1/2"	9'-1 1/2"																																												
Model	2-1630	2-2030	2-2630	2-2830	2-21030	2-3030	2-3230	2-1636	2-2036	2-2636	2-2836	2-21036	2-3036	2-3236	2-1640	2-2040	2-2640	2-2840	2-21040	2-3040	2-3240	2-1646	2-2046	2-2646	2-2846	2-21046	2-3046	2-3246	2-1648	2-2048	2-2648	2-2848	2-21048	2-3048	2-3248	2-1650	2-2050	2-2650	2-2850	2-21050	2-3050	2-3250	2-1652	2-2052	2-2652	2-2852	2-21052	2-3052	2-3252	2-1656	2-2056	2-2656	2-2856	2-21056	2-3056	2-3256	2-1660	2-2060	2-2660	2-2860	2-21060	2-3060	2-3260



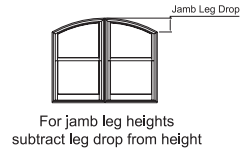
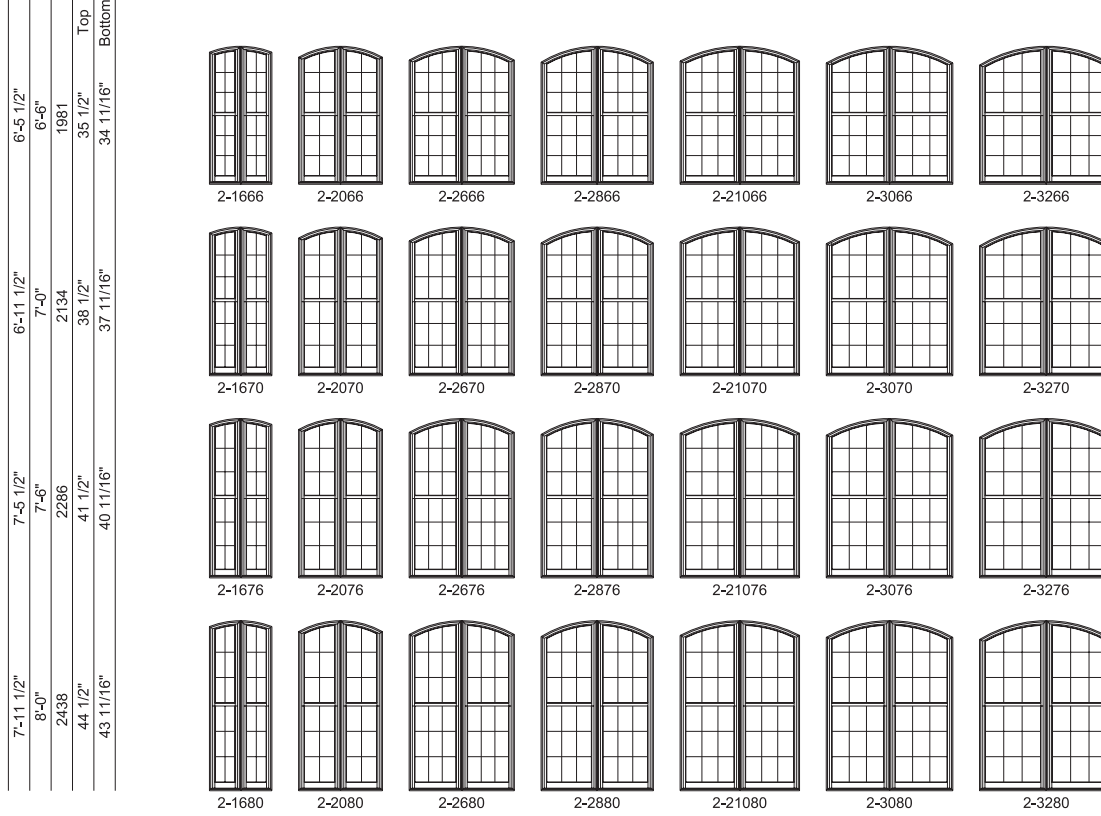
DOUBLE HUNG

# PREMIUM SERIES 2-WIDE EYEBROW DOUBLE HUNG WINDOWS (8109)

## Elevations

DOUBLE HUNG

Jamb Dimension	2'-11 1/16"	3'-11 1/6"	4'-11 1/16"	5'-3 1/16"	5'-7 1/16"	5'-11 1/16"	6'-3 1/16"
Rough Opening	2'-11 9/16"	3'-11 9/16"	4'-11 9/16"	5'-3 9/16"	5'-7 9/16"	5'-11 9/16"	6'-3 9/16"
Metric R.O. (mm)	903	1208	1513	1614	1716	1818	1919
Glass Size	12"	18"	24"	26"	28"	30"	32"
Jamb Radius	48"	48"	60"	60"	72"	72"	72"
Jamb Leg Drop	3 5/16"	6 5/32"	7 3/4"	8 31/32"	8 9/32"	9 3/8"	10 9/16"





# PREMIUM SERIES CIRCLE TOP DOUBLE HUNG WINDOWS (8109)

## Elevations

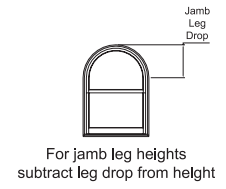
Jamb Dimension	2'-5 1/2"	2'-7 1/2"	2'-9 1/2"	2'-11 1/2"	3'-1 1/2"	3'-5 1/2"	3'-11 1/2"
Rough Opening	2'-6"	2'-8"	2'-10"	3'-0"	3'-2"	3'-6"	4'-0"
Metric R.O. (mm)	762	813	864	914	965	1067	1219
Class Size	24"	26"	28"	30"	32"	36"	42"
Jamb Radius	14 3/4"	15 3/4"	16 3/4"	17 3/4"	18 3/4"	20 3/4"	23 3/4"
Jamb Leg Drop	14 3/4"	15 3/4"	16 3/4"	17 3/4"	18 3/4"	20 3/4"	23 3/4"

Jamb Dimension	3'-11 1/2"	4'-5 1/2"	4'-11 1/2"	5'-5 1/2"	5'-11 1/2"	6'-5 1/2"	6'-11 1/2"	7'-5 1/2"	7'-11 1/2"
Top	4'-0"	4'-6"	5'-0"	5'-6"	6'-0"	6'-6"	7'-0"	7'-6"	8'-0"
Bottom	1219	1372	1524	1676	1829	1981	2134	2286	2438
Top	19 7/8"	22 7/8"	25 7/8"	28 7/8"	31 7/8"	34 7/8"	37 7/8"	40 7/8"	43 7/8"
Bottom	19 11/16"	22 11/16"	25 11/16"	28 11/16"	31 11/16"	34 11/16"	37 11/16"	40 11/16"	43 11/16"

2640	2840	21040	3040						
2646	2846	21046	3046	3246	3646				
2650	2850	21050	3050	3250	3650	4050			
2656	2856	21056	3056	3256	3656	4056			
2660	2860	21060	3060	3260	3660	4060			
2666	2866	21066	3066	3266	3666	4066			
2670	2870	21070	3070	3270	3670	4070			
2676	2876	21076	3076	3276	3676	4076			
2680	2880	21080	3080	3280	3680	4080			



# PREMIUM SERIES DOUBLE HUNG PICTURE WINDOWS (8116)

## Elevations

Jamb Dimension	1'-5 1/2"	1'-11 1/2"	2'-5 1/2"	2'-7 1/2"	2'-9 1/2"	2'-11 1/2"	3'-1 1/2"	3'-5 1/2"	3'-11 1/2"	4'-5 1/2"	4'-11 1/2"
Rough Opening	1'-6"	2'-0"	2'-6"	2'-8"	2'-10"	3'-0"	3'-2"	3'-6"	4'-0"	4'-6"	5'-0"
Metric R.O. (mm)	457	610	762	813	864	914	965	1067	1219	1372	1524
Class Size	12"	18"	24"	26"	28"	30"	32"	36"	42"	48"	54"
2'-11 1/2"											
3'-0"	1630	2030	2630	2830	21030	3030	3230	3630	4030	4630	5030
3'-5 1/2"											
3'-6"	1636	2036	2636	2836	21036	3036	3236	3636	4036	4636	5036
3'-11 1/2"											
4'-0"	1640	2040	2640	2840	21040	3040	3240	3640	4040	4640	5040
4'-5 1/2"											
4'-6"	1646	2046	2646	2846	21046	3046	3246	3646	4046	4646	5046
4'-7 1/2"											
4'-8"	1648	2048	2648	2848	21048	3048	3248	3648	4048	4648	5048
4'-11 1/2"											
5'-0"	1650	2050	2650	2850	21050	3050	3250	3650	4050	4650	5050
5'-1 1/2"											
5'-2"	1652	2052	2652	2852	21052	3052	3252	3652	4052	4652	5052
5'-5 1/2"											
5'-6"	1656	2056	2656	2856	21056	3056	3256	3656	4056	4656	5056
5'-11 1/2"											
6'-0"	1660	2060	2660	2860	21060	3060	3260	3660	4060	4660	5060

2 - Wide Width Dimensions				3 - Wide Width Dimensions			
Base Code	Jamb Dimension (Frame Size)	Rough Opening	Metric R.O. (mm)	Base Code	Jamb Dimension (Frame Size)	Rough Opening	Metric R.O. (mm)
DHP2-16	2'-11 1/16"	2'-11 9/16"	903	DHP3-16	4'-4 5/8"	4'-5 1/8"	1372
DHP2-20	3'-11 1/16"	3'-11 9/16"	1208	DHP3-20	5'-10 5/8"	5'-11 1/8"	1807
DHP2-26	4'-11 1/16"	4'-11 9/16"	1208	DHP3-26	7'-4 5/8"	7'-5 1/8"	2264
DHP2-28	5'-3 1/16"	5'-3 9/16"	1411	DHP3-28	7'-10 5/8"	7'-11 1/8"	2416
DHP2-210	5'-7 1/16"	5'-7 9/16"	1716	DHP3-210	8'-4 5/8"	8'-5 1/8"	2569
DHP2-30	5'-11 1/16"	5'-11 9/16"	1818	DHP3-30	8'-10 5/8"	8'-11 1/8"	2721
DHP2-32	6'-3 1/16"	6'-3 9/16"	1919	DHP3-32	9'-4 5/8"	9'-5 1/8"	2873
DHP2-36	6'-11 1/16"	6'-11 9/16"	2122				
DHP2-40	7'-11 1/16"	7'-11 9/16"	2427				

NOTE: Also available in 5-6 and 6-0 width



# PREMIUM SERIES DOUBLE HUNG PICTURE WINDOWS (8116)

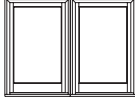
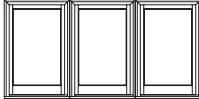
## Elevations

Jamb Dimension	1'-5 1/2"	1'-11 1/2"	2'-5 1/2"	2'-7 1/2"	2'-9 1/2"	2'-11 1/2"	3'-1 1/2"	3'-5 1/2"	3'-11 1/2"	4'-5 1/2"	4'-11 1/2"
Rough Opening	1'-6"	2'-0"	2'-6"	2'-8"	2'-10"	3'-0"	3'-2"	3'-6"	4'-0"	4'-6"	5'-0"
Metric R.O. (mm)	457	610	762	813	864	914	965	1067	1219	1372	1524
Glass Size	12"	18"	24"	26"	28"	30"	32"	36"	42"	48"	54"

6'-5 1/2"											
6'-6"	1666	2066	2666	2866	21066	3066	3266	3666	4066	4666	5066
6'-11 1/2"											
7'-0"	1670	2070	2670	2870	21070	3070	3270	3670	4070	4670	5070
7'-5 1/2"											
7'-6"	1676	2076	2676	2876	21076	3076	3276	3676	4076	4676	5076
7'-11 1/2"											
8'-0"	1680	2080	2680	2880	21080	3080	3280	3680	4080	4680	5080

NOTE: Also available  
in 5-6 and 6-0 width

 2 - Wide Width Dimensions				 3 - Wide Width Dimensions			
Base Code	Jamb Dimension (Frame Size)	Rough Opening	Metric R.O. (mm)	Base Code	Jamb Dimension (Frame Size)	Rough Opening	Metric R.O. (mm)
DHP2-16	2'-11 1/16"	2'-11 9/16"	903	DHP3-16	4'-4 5/8"	4'-5 1/8"	1372
DHP2-20	3'-11 1/16"	3'-11 9/16"	1208	DHP3-20	5'-10 5/8"	5'-11 1/8"	1807
DHP2-26	4'-11 1/16"	4'-11 9/16"	1208	DHP3-26	7'-4 5/8"	7'-5 1/8"	2264
DHP2-28	5'-3 1/16"	5'-3 9/16"	1411	DHP3-28	7'-10 5/8"	7'-11 1/8"	2416
DHP2-210	5'-7 1/16"	5'-7 9/16"	1716	DHP3-210	8'-4 5/8"	8'-5 1/8"	2569
DHP2-30	5'-11 1/16"	5'-11 9/16"	1818	DHP3-30	8'-10 5/8"	8'-11 1/8"	2721
DHP2-32	6'-3 1/16"	6'-3 9/16"	1919	DHP3-32	9'-4 5/8"	9'-5 1/8"	2873
DHP2-36	6'-11 1/16"	6'-11 9/16"	2122				
DHP2-40	7'-11 1/16"	7'-11 9/16"	2427				

# PREMIUM SERIES DOUBLE HUNG TRANSOM WINDOWS (8117)

## Elevations

Jamb Dimension	1'-5 1/2"	1'-11 1/2"	2'-5 1/2"	2'-7 1/2"	2'-9 1/2"	2'-11 1/2"	3'-1 1/2"	3'-5 1/2"	3'-11 1/2"	4'-5 1/2"	4'-11 1/2"
Rough Opening	1'-6"	2'-0"	2'-6"	2'-8"	2'-10"	3'-0"	3'-2"	3'-6"	4'-0"	4'-6"	5'-0"
Metric R.O. (mm)	457	610	762	813	864	914	965	1067	1219	1372	1524
Class Size	12"	18"	24"	26"	28"	30"	32"	36"	42"	48"	54"

2'-11 1/2"	2'-5 1/2"	2'-7 1/2"	2'-9 1/2"	2'-11 1/2"	3'-1 1/2"	3'-5 1/2"	3'-11 1/2"	4'-5 1/2"	4'-11 1/2"
3'-0"	2'-6"	2'-8"	2'-10"	3'-0"	3'-2"	3'-6"	4'-0"	4'-6"	5'-0"
30 1/8"	24 1/8"	26 1/8"	28 1/8"	30 1/8"	32 1/8"	36 1/8"	42 1/8"	48 1/8"	54 1/8"
1'-6"	1'-6"	1'-6"	1'-6"	1'-6"	1'-6"	1'-6"	1'-6"	1'-6"	1'-6"
1'-8"	1'-8"	1'-8"	1'-8"	1'-8"	1'-8"	1'-8"	1'-8"	1'-8"	1'-8"
2'-0"	2'-0"	2'-0"	2'-0"	2'-0"	2'-0"	2'-0"	2'-0"	2'-0"	2'-0"
2'-5 1/2"	2'-5 1/2"	2'-5 1/2"	2'-5 1/2"	2'-5 1/2"	2'-5 1/2"	2'-5 1/2"	2'-5 1/2"	2'-5 1/2"	2'-5 1/2"
3'-0"	3'-0"	3'-0"	3'-0"	3'-0"	3'-0"	3'-0"	3'-0"	3'-0"	3'-0"
30 1/8"	30 1/8"	30 1/8"	30 1/8"	30 1/8"	30 1/8"	30 1/8"	30 1/8"	30 1/8"	30 1/8"

1616	2016	2616	2816	21016	3016	3216	3616	4016	4616	5016
1618	2018	2618	2818	21018	3018	3218	3618	4018	4618	5018
1620	2020	2620	2820	21020	3020	3220	3620	4020	4620	5020
1626	2026	2626	2826	21026	3026	3226	3626	4026	4626	5026
1630	2030	2630	2830	21030	3030	3230	3630	4030	4630	5030

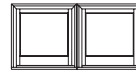
Jamb Dimension	5'-5 1/2"	5'-11 1/2"
Rough Opening	5'-6"	6'-0"
Metric R.O. (mm)	1676	1829
Class Size	60"	66"

2'-11 1/2"	1'-5 1/2"	1'-7 1/2"	1'-5 1/2"
3'-0"	1'-6"	1'-8"	1'-6"
30 1/8"	24 1/8"	26 1/8"	24 1/8"
2'-5 1/2"	2'-5 1/2"	2'-5 1/2"	2'-5 1/2"
2'-6"	2'-6"	2'-6"	2'-6"
2'-11 1/2"	2'-11 1/2"	2'-11 1/2"	2'-11 1/2"
3'-0"	3'-0"	3'-0"	3'-0"
30 1/8"	30 1/8"	30 1/8"	30 1/8"

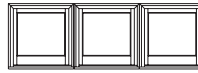
  

5616	6016
5618	6018
5620	6020
5626	6026
5630	6030



**2 - Wide**  
Width Dimensions

Base Code	Jamb Dimension (Frame Size)	Rough Opening	Metric R.O. (mm)
DHT2-16	2'-11 1/16"	2'-11 9/16"	903
DHT2-20	3'-11 1/16"	3'-11 9/16"	1208
DHT2-26	4'-11 1/16"	4'-11 9/16"	1208
DHT2-28	5'-3 1/16"	5'-3 9/16"	1411
DHT2-210	5'-7 1/16"	5'-7 9/16"	1716
DHT2-30	5'-11 1/16"	5'-11 9/16"	1818
DHT2-32	6'-3 1/16"	6'-3 9/16"	1919
DHT2-36	6'-11 1/16"	6'-11 9/16"	2122
DHT2-40	7'-11 1/16"	7'-11 9/16"	2427

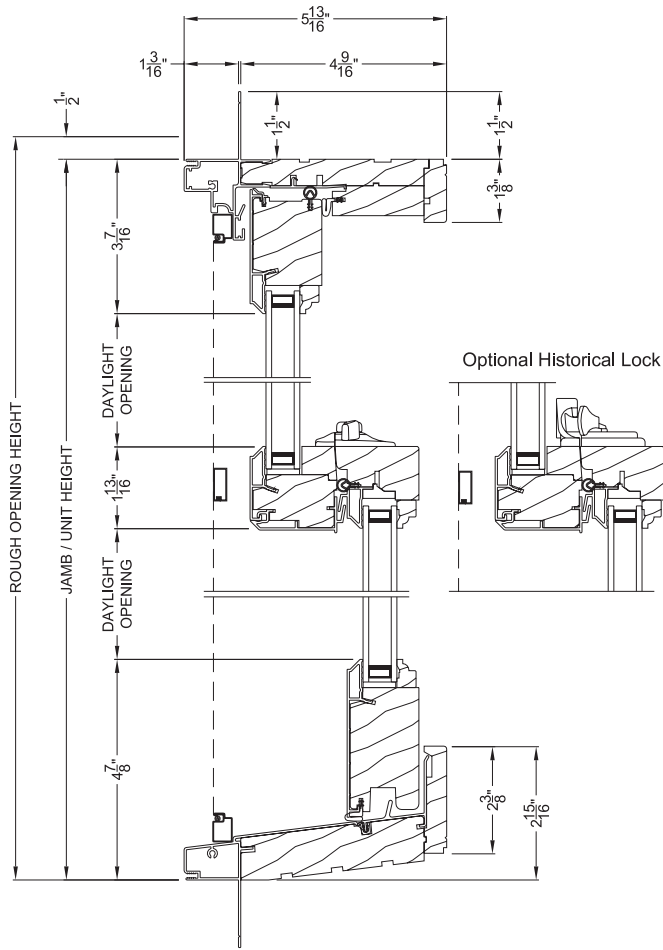


**3 - Wide**  
Width Dimensions

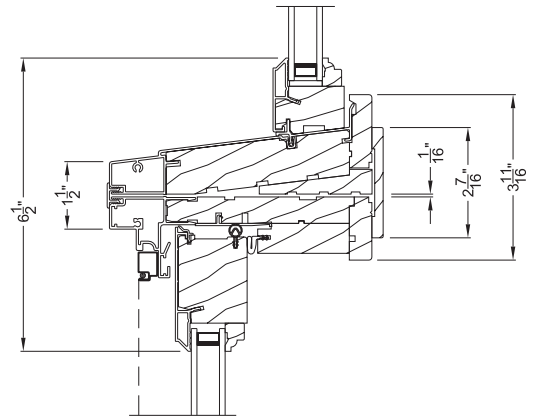
Base Code	Jamb Dimension (Frame Size)	Rough Opening	Metric R.O. (mm)
DHT3-16	4'-4 5/8"	4'-5 1/8"	1372
DHT3-20	5'-10 5/8"	5'-11 1/8"	1807
DHT3-26	7'-4 5/8"	7'-5 1/8"	2264
DHT3-28	7'-10 5/8"	7'-11 1/8"	2416
DHT3-210	8'-4 5/8"	8'-5 1/8"	2569
DHT3-30	8'-10 5/8"	8'-11 1/8"	2721
DHT3-32	9'-4 5/8"	9'-5 1/8"	2873

# PREMIUM SERIES DOUBLE HUNG WINDOWS (8109)

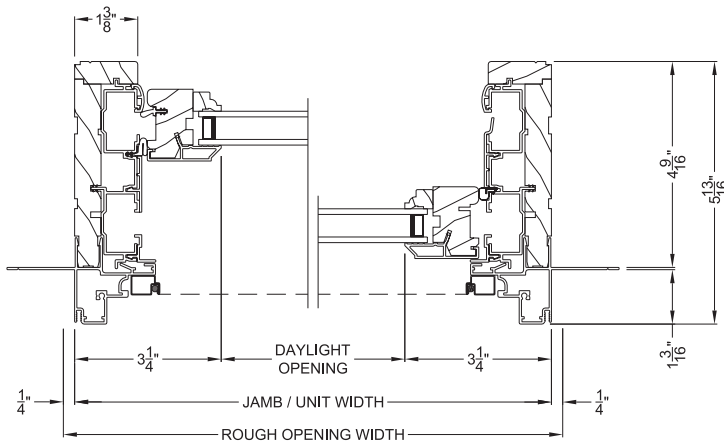
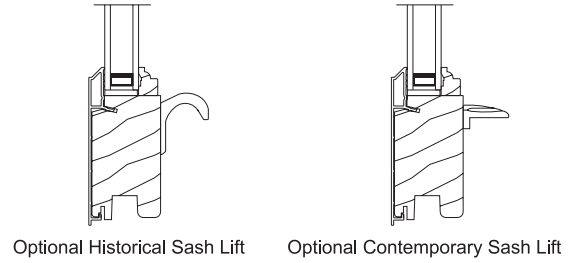
## Cross Sections



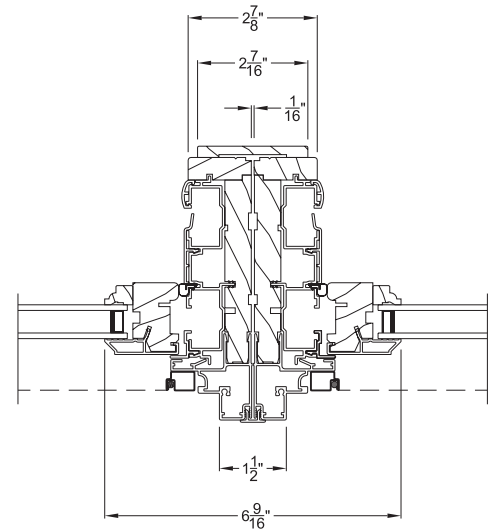
**PREMIUM DOUBLE HUNG WINDOW (8109)**  
Vertical Section



**PREMIUM DOUBLE HUNG WINDOW**  
Horizontal Stack Section - Transom Stack over DH



**PREMIUM DOUBLE HUNG WINDOW (8109)**  
Horizontal Section



**PREMIUM DOUBLE HUNG WINDOW**  
Vertical Mull Section - DH / DH

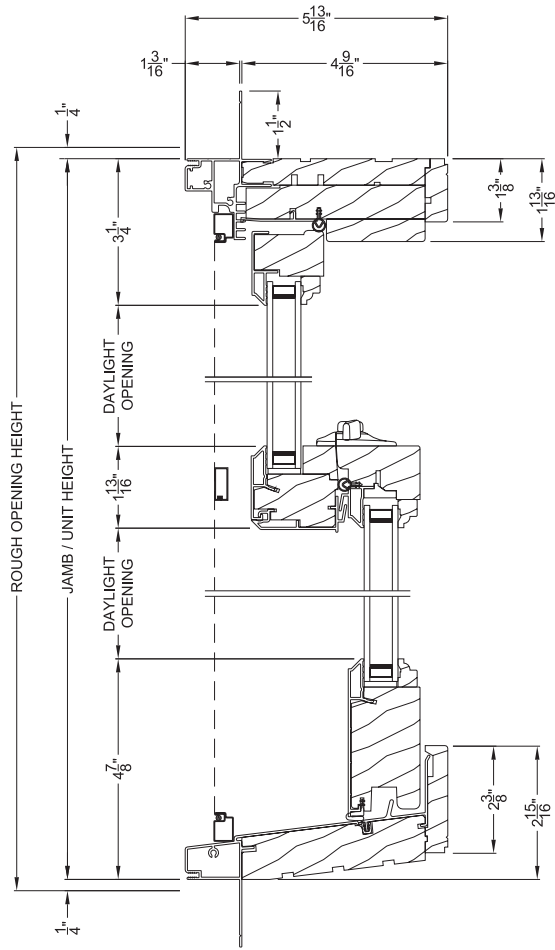
Note: All dimensions are approximate. Weather Shield reserves the right to change specifications without notice.



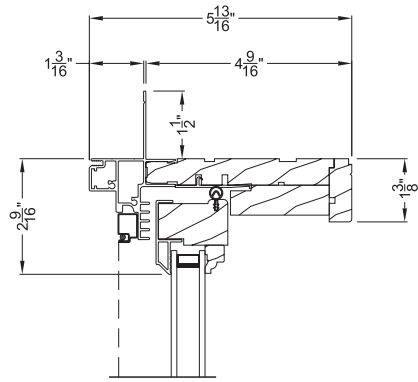
# PREMIUM SERIES DOUBLE HUNG WINDOWS (8109)

## Cross Sections

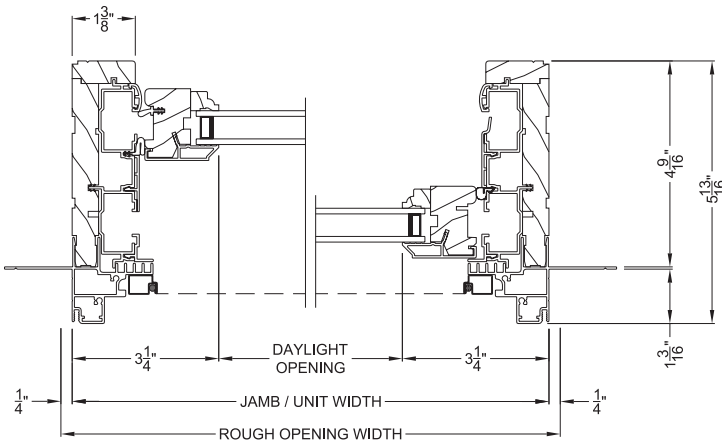
DOUBLE HUNG



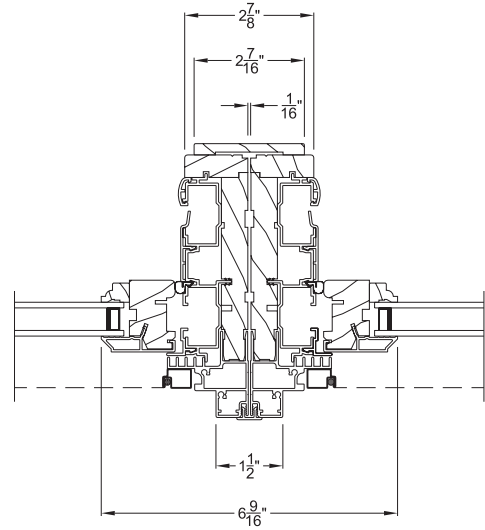
**PREMIUM HALF CIRCLE DOUBLE HUNG WINDOW (8109)**  
Vertical Section



**PREMIUM EYEBROW DOUBLE HUNG WINDOW (8109)**  
Vertical Section



**PREMIUM EYEBROW DOUBLE HUNG WINDOW (8109)**  
Horizontal Section



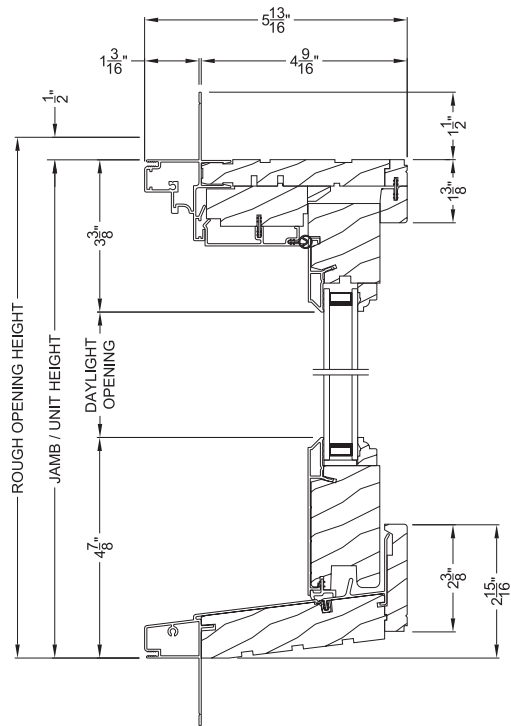
**PREMIUM DOUBLE HUNG WINDOW (8109)**  
Vertical Mull Section - DH / DH

Note: All dimensions are approximate. Weather Shield reserves the right to change specifications without notice.

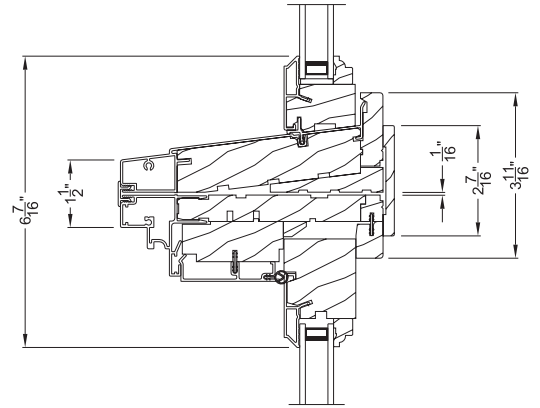
# PREMIUM SERIES DOUBLE HUNG PICTURE WINDOWS (8116)

## Cross Sections

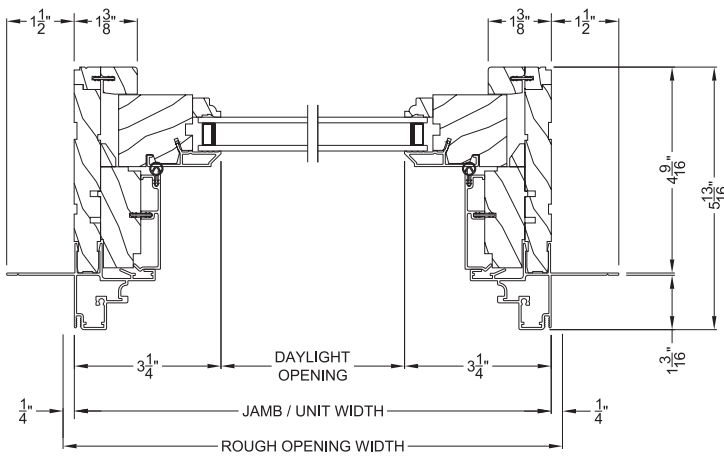
DOUBLE HUNG



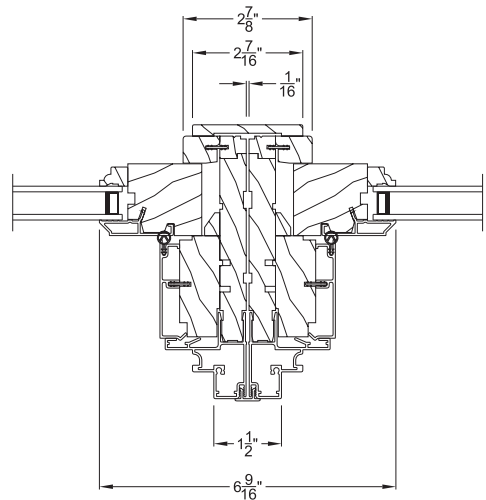
**PREMIUM DOUBLE HUNG PICTURE (8116)**  
Vertical Section



**PREMIUM DOUBLE HUNG PICTURE**  
Horizontal Stack Section - Transom Stack over Picture



**PREMIUM DOUBLE HUNG PICTURE (8116)**  
Horizontal Section

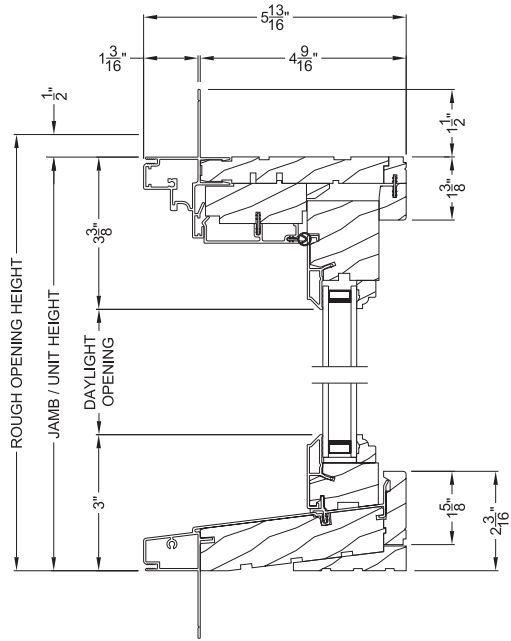


**PREMIUM DOUBLE HUNG PICTURE**  
Vertical Mull Section - Picture / Picture

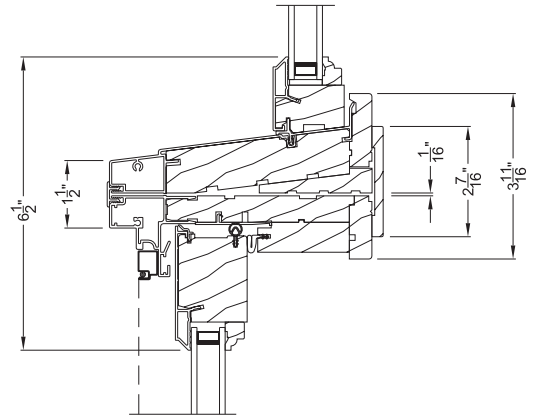
# PREMIUM SERIES DOUBLE HUNG TRANSOM WINDOWS (8117)

## Cross Sections

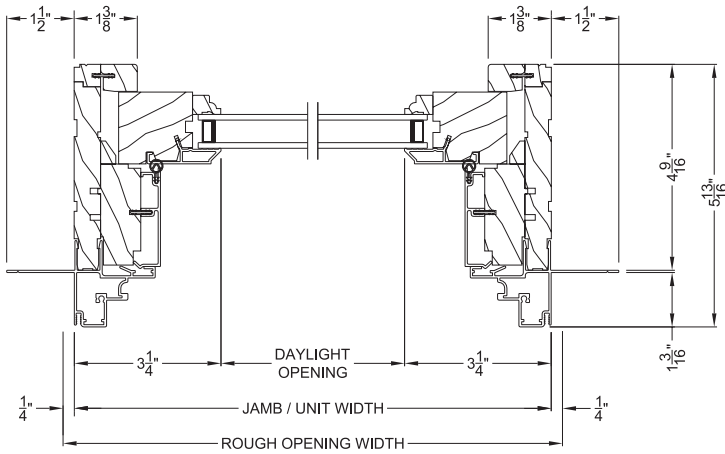
DOUBLE HUNG



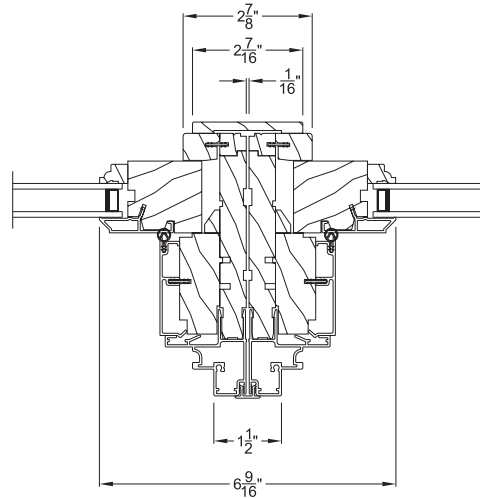
**PREMIUM DOUBLE HUNG TRANSOM (8117)**  
Vertical Section



**PREMIUM DOUBLE HUNG TRANSOM**  
Horizontal Stack Section - Transom Stack over DH



**PREMIUM DOUBLE HUNG TRANSOM (8117)**  
Horizontal Section



**PREMIUM DOUBLE HUNG TRANSOM**  
Vertical Mull Section - Picture / Picture



# PREMIUM SERIES DOUBLE HUNG WINDOWS (8109)

## Opening Specifications

Call Size	Sq. Ft. Clear Opening	Clear Opening		Sq. Ft. Daylight Opening	Sq. Ft. Vent	Floor to Bottom of Clear Opening <sup>a</sup>	Sq. Ft. Overall Unit Area <sup>b</sup>
		Width	Height <sup>c</sup>				
1630	1.22	13.91	12.60	1.94	1.22	48.06	4.31
1636	1.51	13.91	15.60	2.40	1.51	42.06	5.04
1640	1.80	13.91	18.60	2.86	1.80	36.06	5.77
1646	2.09	13.91	21.60	3.31	2.09	30.06	6.50
1648	2.18	13.91	22.60	3.47	2.18	28.06	6.74
1650	2.38	13.91	24.60	3.77	2.38	24.06	7.23
1656	2.67	13.91	27.60	4.23	2.67	18.06	7.96
1660	2.96	13.91	30.60	4.69	2.96	36.06	8.69
1666	3.01	13.91	31.18	5.15	3.01	30.06	9.42
1670	3.01	13.91	31.18	5.61	3.01	24.06	10.15
1676	3.01	13.91	31.18	6.06	3.01	18.06	10.88
1680	3.01	13.91	31.18	6.52	3.01	12.06	11.61
2030	1.74	19.91	12.60	3.00	1.74	48.06	5.79
2036	2.16	19.91	15.60	3.70	2.16	42.06	6.77
2040	2.57	19.91	18.60	4.41	2.57	36.06	7.75
2046	2.99	19.91	21.60	5.12	2.99	30.06	8.73
2048	3.13	19.91	22.60	5.36	3.13	28.06	9.06
2050	3.40	19.91	24.60	5.83	3.40	24.06	9.71
2056	3.82	19.91	27.60	6.54	3.82	18.06	10.69
2060	4.23	19.91	30.60	7.25	4.23	36.06	11.67
2066	4.09	19.91	29.61	7.95	4.09	30.06	12.65
2070	4.09	19.91	29.61	8.66	4.09	24.06	13.63
2076	4.09	19.91	29.61	9.37	4.09	18.06	14.61
2080	4.09	19.91	29.61	10.08	4.09	12.06	15.59
2630	2.27	25.91	12.60	4.05	2.27	48.06	7.27
2636	2.81	25.91	15.60	5.01	2.81	42.06	8.50
2640	3.35	25.91	18.60	5.97	3.35	36.06	9.73
2646	3.89	25.91	21.60	6.93	3.89	30.06	10.96
2648	4.07	25.91	22.60	7.25	4.07	28.06	11.37
2650	4.43	25.91	24.60	7.89	4.43	24.06	12.19
2656	4.97	25.91	27.60	8.84	4.97	18.06	13.42
2660	5.33	25.91	29.61	9.80	5.33	36.06	14.65
2666	5.33	25.91	29.61	10.76	5.33	30.06	15.88
2670	5.33	25.91	29.61	11.72	5.33	24.06	17.11
2676	5.33	25.91	29.61	12.68	5.33	18.06	18.34
2680	5.33	25.91	29.61	13.64	5.33	12.06	19.56
2830	2.44	27.91	12.60	4.41	2.44	48.06	7.77
2836	3.02	27.91	15.60	5.45	3.02	42.06	9.08
2840	3.61	27.91	18.60	6.49	3.61	36.06	10.39
2846	4.19	27.91	21.60	7.53	4.19	30.06	11.70
2848	4.38	27.91	22.60	7.88	4.38	28.06	12.14
2850	4.77	27.91	24.60	8.57	4.77	24.06	13.02
2856	5.35	27.91	27.60	9.61	5.35	18.06	14.33
2860	5.74	27.91	29.61	10.66	5.74	36.06	15.64
2866	5.74	27.91	29.61	11.70	5.74	30.06	16.95
2870	5.74	27.91	29.61	12.74	5.74	24.06	18.27
2876	5.74	27.91	29.61	13.78	5.74	18.06	19.58
2880	5.74	27.91	29.61	14.82	5.74	12.06	20.89
21030	2.62	29.91	12.60	4.76	2.62	48.06	8.26
21036	3.24	29.91	15.60	5.88	3.24	42.06	9.65
21040	3.86	29.91	18.60	7.01	3.86	36.06	11.05
21046	4.49	29.91	21.60	8.13	4.49	30.06	12.45
21048	4.69	29.91	22.60	8.51	4.69	28.06	12.91
21050	5.11	29.91	24.60	9.26	5.11	24.06	13.84
21056	5.73	29.91	27.60	10.38	5.73	18.06	15.24
21060	6.15	29.91	29.61	11.51	6.15	36.06	16.63
21066	6.15	29.91	29.61	12.63	6.15	30.06	18.03
21070	6.15	29.91	29.61	13.76	6.15	24.06	19.43
21076	6.15	29.91	29.61	14.88	6.15	18.06	20.82
21080	6.15	29.91	29.61	16.01	6.15	12.06	22.22

Shaded sizes meet or exceed egress opening requirements per 2015 IBC (International Building Code) minimum dimensions of 20" clear opening width, 24" clear opening height, 5.7 sq. ft. clear opening and floor to bottom of clear opening not to exceed 44".

<sup>a</sup> Floor to bottom of clear opening dimensions are based on 82" jamb height of a 6-10 door.

All units over 66" RO height are based off 106" jamb height for floor to clear opening dimension

<sup>b</sup> Sq. Ft. Overall Unit Area is calculated on the jamb dimension.

The requirements outlined above for the major US building codes can be modified by local jurisdictions. Therefore, it is important to check local codes in the areas in which the product is to be installed.

# PREMIUM SERIES DOUBLE HUNG WINDOWS (8109)

## Opening Specifications

Call Size	Sq. Ft. Clear Opening	Clear Opening		Sq. Ft. Daylight Opening	Sq. Ft. Vent	Floor to Bottom of Clear Opening <sup>a</sup>	Sq. Ft. Overall Unit Area <sup>b</sup>
		Width	Height <sup>c</sup>				
3030	2.79	31.91	12.60	5.11	2.79	48.06	8.75
3036	3.46	31.91	15.60	6.32	3.46	42.06	10.23
3040	4.12	31.91	18.60	7.53	4.12	36.06	11.71
3046	4.79	31.91	21.60	8.74	4.79	30.06	13.19
3048	5.01	31.91	22.60	9.14	5.01	28.06	13.68
3050	5.45	31.91	24.60	9.94	5.45	24.06	14.67
3050(E)	5.70	31.91	25.72	9.94	5.70	24.06	14.67
3052	5.70	31.91	25.72	10.35	5.70	22.06	15.16
3056	6.12	31.91	27.60	11.15	6.12	18.06	16.15
3060	6.56	31.91	29.61	12.36	6.56	36.06	17.63
3066	6.56	31.91	29.61	13.57	6.56	30.06	19.11
3070	6.56	31.91	29.61	14.78	6.56	24.06	20.59
3076	6.56	31.91	29.61	15.99	6.56	18.06	22.06
3080	6.56	31.91	29.61	17.19	6.56	12.06	23.54
3149(E)	5.72	33.66	24.47	10.01	5.72	26.56	14.74
3230	2.97	33.91	12.60	5.46	2.97	48.06	9.24
3236	3.67	33.91	15.60	6.75	3.67	42.06	10.81
3240	4.38	33.91	18.60	8.05	4.38	36.06	12.37
3246	5.09	33.91	21.60	9.34	5.09	30.06	13.93
3248	5.32	33.91	22.60	9.77	5.32	28.06	14.45
3250	5.79	33.91	24.60	10.63	5.79	24.06	15.49
3256	6.50	33.91	27.60	11.92	6.50	18.06	17.06
3260	6.97	33.91	29.61	13.21	6.97	36.06	18.62
3266	6.97	33.91	29.61	14.50	6.97	30.06	20.18
3270	6.97	33.91	29.61	15.80	6.97	24.06	21.74
3276	6.97	33.91	29.61	17.09	6.97	18.06	23.31
3280	6.59	33.91	27.99	18.38	6.59	12.06	24.87
3630	3.32	37.91	12.60	6.17	3.32	48.06	10.23
3636	4.11	37.91	15.60	7.63	4.11	42.06	11.96
3640	4.90	37.91	18.60	9.08	4.90	36.06	13.69
3646	5.69	37.91	21.60	10.54	5.69	30.06	15.42
3648	5.95	37.91	22.60	11.03	5.95	28.06	15.99
3650	6.48	37.91	24.60	12.00	6.48	24.06	17.15
3656	7.27	37.91	27.60	13.46	7.27	18.06	18.88
3660	7.80	37.91	29.61	14.92	7.80	36.06	20.61
3666	7.80	37.91	29.61	16.38	7.80	30.06	22.34
3670	7.37	37.91	27.99	17.83	7.37	24.06	24.06
3676	7.37	37.91	27.99	19.29	7.37	18.06	25.79
3680	7.37	37.91	27.99	20.75	7.37	12.06	27.52
4030	3.84	43.91	12.60	7.22	3.84	48.06	11.71
4036	4.76	43.91	15.60	8.93	4.76	42.06	13.69
4040	5.67	43.91	18.60	10.64	5.67	36.06	15.67
4046	6.59	43.91	21.60	12.35	6.59	30.06	17.65
4048	6.89	43.91	22.60	12.92	6.89	28.06	18.31
4050	7.50	43.91	24.60	14.06	7.50	24.06	19.63
4056	8.42	43.91	27.60	15.77	8.42	18.06	21.61
4060	8.53	43.91	27.99	17.47	8.53	36.06	23.59
4066	8.53	43.91	27.99	19.18	8.53	30.06	25.56
4070	8.53	43.91	27.99	20.89	8.53	24.06	27.54
4076	8.53	43.91	27.99	22.60	8.53	18.06	29.52
4080	8.53	43.91	27.99	24.31	8.53	12.06	31.50

Shaded sizes meet or exceed egress opening requirements per 2006 IBC (International Building Code) minimum dimensions of 20" clear opening width, 24" clear opening height, 5.7 sq. ft. clear opening and floor to bottom of clear opening not to exceed 44".

<sup>a</sup> Floor to bottom of clear opening dimensions are based on 82" jamb height of a 6-10 door.

All units over 66" RO height are based off 106" jamb height for floor to clear opening dimension

<sup>b</sup> Sq. Ft. Overall Unit Area is calculated on the jamb dimension.

3050 (E) and 3149 (E) have a slightly modified sash proportion to meet egress. Top sash glass is 2" taller than the bottom. Sash stop must be removed to meet egress requirements.

3052 R.O. (36" x 62") meets egress when sash stop is not used.

The requirements outlined above for the major US building codes can be modified by local jurisdictions. Therefore, it is important to check local codes in the areas in which the product is to be installed.

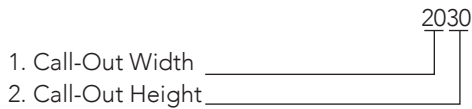
# PREMIUM SERIES CASEMENT WINDOWS

## Caseмент Windows Table of Contents

Caseмент Windows Footnotes .....	29	Caseмент Windows Cross Sections.....	42
Caseмент Windows Quick Spec Guide.....	30	Caseмент Windows Opening Specifications .....	47
Caseмент Windows Elevations .....	32		

### Size Codes:

The Weather Shield size code uses meaningful characters to denote standard sizes. For example:



### Product Information:

- Units show rectangular grille/SDL divisions.
- Always specify hinge code location: L (left), R (right), S (stationary) as viewed from the exterior.

### Egress Information:

Units in gray meet or exceed egress opening requirements per 2015 IBC (International Building Code) minimum dimensions of 20" [508mm] clear opening width, 24" [610mm] clear opening height, 5.7 sq. ft. [5295cm<sup>2</sup>] clear opening and floor to bottom of clear opening not to exceed 44" [1118mm] in height. Verify local or state egress opening sizes with your local building inspector. Floor to bottom of clear opening dimensions are based on 82" [2083mm] jamb height of Weather Shield French doors and center hinged French doors. See Opening Specification chart for reference.



# PREMIUM SERIES CASEMENT WINDOWS (8211)

## Quick Spec Guide

SPECIFICATION	STANDARD FEATURES	OPTIONAL FEATURES
<b>EXTERIOR FINISH</b>	<ul style="list-style-type: none"> <li>White</li> <li>Cameo</li> <li>Tan</li> <li>Desert Tan</li> <li>Heritage Brown</li> <li>Adobe</li> <li>Craftsman Bronze</li> <li>Brick Red</li> <li>Hartford Green</li> <li>Gray Matters</li> <li>Obsidian</li> <li>Jet Black</li> </ul>	<ul style="list-style-type: none"> <li>4 Radiant Metallic</li> <li>45 Designer</li> <li>8 Anodized</li> <li>Custom Color</li> </ul>
<b>EXTERIOR TRIM</b>	<ul style="list-style-type: none"> <li>Integral Nail Fin</li> <li>Drip Cap</li> </ul>	<ul style="list-style-type: none"> <li>7/8" Brickmold</li> <li>1-11/16" Brickmold</li> <li>1-11/16" Flat Casing</li> <li>3-5/16" Flat Casing</li> <li>Historical Brickmold</li> <li>3/4" Sill Nosing</li> <li>1" Bull Nose</li> <li>1" Full Round Bull Nose</li> <li>2" Bull Nose</li> </ul>
<b>INTERIOR FINISH</b>	<ul style="list-style-type: none"> <li>Natural</li> </ul>	<ul style="list-style-type: none"> <li>Clear Satin</li> <li>Fruitwood</li> <li>Rich Mahogany</li> <li>Primed</li> <li>Golden Oak</li> <li>Chestnut</li> <li>Prefinished White &amp; Black</li> <li>Poly – 12 Standard / 45 Designer</li> </ul>
<b>INTERIOR SPECIES</b>	<ul style="list-style-type: none"> <li>Pine</li> </ul>	<ul style="list-style-type: none"> <li>Oak</li> <li>Maple</li> <li>Alder (Character)</li> <li>Cherry</li> <li>Mahogany</li> <li>Douglas Fir</li> </ul>
<b>SIZE</b>	<ul style="list-style-type: none"> <li>Width Casements and Casement Pictures 1-6, 1-8, 2-0, 2-4, 2-6, 2-8, 3-0, 3-6 Casement Pictures 4-0, 4-6, 5-0, 5-6, 6-0, 6-6, 7-0, 7-6, 8-0</li> <li>Height Casements and Casement Pictures 2-0, 2-6, 3-0, 3-6, 4-0, 4-6, 5-0, 5-6, 6-0, 6-6 7-0, 7-6, 8-0</li> </ul>	<ul style="list-style-type: none"> <li>Casements: Any jamb width: 17-1/2" to 41-1/2"</li> <li>Casement Picture Units: Any jamb width: 17-1/2" to 115"</li> <li>Casements: Any jamb height: 23-1/2" to 95-1/2"</li> <li>Casement Picture Units: Any jamb height: 23-1/2" to 115"</li> </ul>
<b>GLAZING</b>	<ul style="list-style-type: none"> <li>Low-E Insulating Glass</li> </ul>	<ul style="list-style-type: none"> <li>Clear IG</li> <li>Low-E 240</li> <li>Zo-e-shield 5</li> <li>Zo-e-shield Extreme</li> <li>Zo-e Shield 6 (laminated)</li> <li>Grey or Bronze Tint</li> <li>Obscure</li> <li>Tempered</li> </ul>
<b>GRILLES</b>		<ul style="list-style-type: none"> <li>GBG: 5/8" Flat or 11/16" Sculptured</li> <li>SDL: 5/8", 7/8", 1-1/8", 2"</li> <li>Wood Grille: 7/8"</li> </ul>
<b>HARDWARE</b>	<ul style="list-style-type: none"> <li>Nested Crank Handle</li> <li>Concealed Locking System</li> <li>Handle and Cover Ship Separately</li> </ul>	<ul style="list-style-type: none"> <li>Seacoast</li> <li>Handle and Cover Applied</li> <li>Limit Stops</li> <li>WOCD</li> </ul>
<b>HARDWARE COLOR</b>	<ul style="list-style-type: none"> <li>Tan</li> <li>Rustic Bronze</li> <li>White</li> <li>Black</li> </ul>	<ul style="list-style-type: none"> <li>Brushed Nickel</li> <li>Bright Brass</li> </ul>
<b>JAMB</b>	<ul style="list-style-type: none"> <li>4-9/16"</li> </ul>	<ul style="list-style-type: none"> <li>3-1/16 Min</li> <li>12" Max</li> </ul>
<b>SCREENS</b>	<ul style="list-style-type: none"> <li>No-See-um Mesh</li> </ul>	<ul style="list-style-type: none"> <li>Aluminum Non-Glare</li> <li>Retractable Screen</li> <li>Wood Hinged Screen</li> </ul>
<b>SCREEN FRAME COLOR</b>	<ul style="list-style-type: none"> <li>Tan</li> <li>Craftsman Bronze</li> <li>White</li> <li>Jet Black</li> </ul>	<ul style="list-style-type: none"> <li>Champaign Anodized</li> <li>Bright Brass</li> <li>Wood Wrapped</li> </ul>

CASEMENT

# PREMIUM SERIES FRENCH CASEMENT WINDOWS (8214)

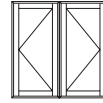
## Quick Spec Guide

SPECIFICATION	STANDARD FEATURES	OPTIONAL FEATURES
<b>EXTERIOR FINISH</b>	<ul style="list-style-type: none"> <li>White</li> <li>Cameo</li> <li>Tan</li> <li>Desert Tan</li> <li>Heritage Brown</li> <li>Adobe</li> </ul>	<ul style="list-style-type: none"> <li>Craftsman Bronze</li> <li>Brick Red</li> <li>Hartford Green</li> <li>Gray Matters</li> <li>Obsidian</li> <li>Jet Black</li> </ul>
<b>EXTERIOR TRIM</b>	<ul style="list-style-type: none"> <li>Integral Nail Fin</li> <li>Drip Cap</li> </ul>	<ul style="list-style-type: none"> <li>4 Radiant Metallic</li> <li>45 Designer</li> <li>8 Anodized</li> <li>Custom Color</li> </ul>
<b>EXTERIOR TRIM</b>		<ul style="list-style-type: none"> <li>7/8" Brickmold</li> <li>1-11/16" Brickmold</li> <li>1-11/16" Flat Casing</li> <li>3-5/16" Flat Casing</li> <li>Historical Brickmold</li> </ul>
<b>INTERIOR FINISH</b>	<ul style="list-style-type: none"> <li>Natural</li> </ul>	<ul style="list-style-type: none"> <li>3/4" Sill Nosing</li> <li>1" Bull Nose</li> <li>1" Full Round Bull Nose</li> <li>2" Bull Nose</li> </ul>
<b>INTERIOR FINISH</b>		<ul style="list-style-type: none"> <li>Clear Satin</li> <li>Fruitwood</li> <li>Rich Mahogany</li> <li>Primed</li> <li>Golden Oak</li> <li>Chestnut</li> <li>Prefinished White &amp; Black</li> <li>Poly – 12 Standard / 45 Designer</li> </ul>
<b>INTERIOR SPECIES</b>	<ul style="list-style-type: none"> <li>Pine</li> </ul>	<ul style="list-style-type: none"> <li>Oak</li> <li>Maple</li> <li>Alder (Character)</li> <li>Cherry</li> <li>Mahogany</li> <li>Douglas Fir</li> </ul>
<b>SIZE</b>	<ul style="list-style-type: none"> <li>Width 1-8, 2-0, 2-4, 2-6, 2-8, 3-0</li> <li>Height 3-0, 3-6, 4-0, 4-6, 5-0, 5-6, 6-0</li> </ul>	<ul style="list-style-type: none"> <li>Any jamb width: 39 1/16" to 71 1/16"</li> <li>Any jamb height: 35-1/2" to 71-1/2"</li> </ul>
<b>GLAZING</b>	<ul style="list-style-type: none"> <li>Low-E Insulating Glass</li> </ul>	<ul style="list-style-type: none"> <li>Clear IG</li> <li>Low-E 240</li> <li>Zo-e-shield 5</li> <li>Zo-e-shield Extreme</li> <li>Zo-e Shield 6 (laminated)</li> <li>Grey or Bronze Tint</li> <li>Obscure</li> <li>Tempered</li> </ul>
<b>GRILLES</b>		<ul style="list-style-type: none"> <li>GBG: 5/8" Flat or 11/16" Sculptured</li> <li>SDL: 5/8", 7/8", 1-1/8", 2"</li> <li>Wood Grille: 7/8"</li> </ul>
<b>HARDWARE</b>	<ul style="list-style-type: none"> <li>Nested Crank Handle</li> <li>Concealed Locking System</li> <li>Handle and Cover Ship Separately</li> </ul>	<ul style="list-style-type: none"> <li>Seacoast</li> <li>Handle and Cover Applied</li> <li>Limit Stops</li> </ul>
<b>HARDWARE COLOR</b>	<ul style="list-style-type: none"> <li>Tan</li> <li>Rustic Bronze</li> <li>White</li> <li>Black</li> </ul>	<ul style="list-style-type: none"> <li>Brushed Nickel</li> <li>Bright Brass</li> </ul>
<b>JAMB</b>	<ul style="list-style-type: none"> <li>4-9/16"</li> </ul>	<ul style="list-style-type: none"> <li>3-1/16 Min</li> <li>12" Max</li> </ul>
<b>SCREENS</b>	<ul style="list-style-type: none"> <li>No Screen</li> </ul>	<ul style="list-style-type: none"> <li>Retractable Screen</li> <li>No-See-Um Mesh</li> <li>Wood Hinged Screen</li> <li>Aluminum Non-Glare</li> </ul>
<b>SCREEN FRAME COLOR</b>		<ul style="list-style-type: none"> <li>Wood Wrapped</li> </ul>

# PREMIUM SERIES CASEMENT WINDOWS (8211) PUSH-OUT CASEMENT WINDOWS (8213)

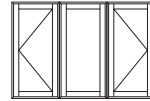
## Elevations

Jamb Dimension	1'-5 1/2"	1'-7 1/2"	1'-11 1/2"	2'-3 1/2"	2'-5 1/2"	2'-7 1/2"	2'-11 1/2"	3'-5 1/2"
Rough Opening	1'-6"	1'-8"	2'-0"	2'-4"	2'-6"	2'-8"	3'-0"	3'-6"
Metric R.O. (mm)	457	508	610	711	762	813	914	1067
Glass Size	12 3/4"	14 3/4"	18 3/4"	22 3/4"	24 3/4"	26 3/4"	30 3/4"	36 3/4"
1'-11 1/2"								
2'-0"	1620	1820	2020	2420	2620	2820	3020	3620
2'-5 1/2"								
2'-6"	1626	1826	2026	2426	2626	2826	3026	3626
2'-11 1/2"								
3'-0"	1630	1830	2030	2430	2630	2830	3030	3630
3'-5 1/2"								
3'-6"	1636	1836	2036	2436	2636	2836	3036	3636
3'-11 1/2"								
4'-0"	1640	1840	2040	2440	2640	2840	3040	3640
4'-5 1/2"								
4'-6"	1646	1846	2046	2446	2646	2846	3046	3646
4'-11 1/2"								
5'-0"	1650	1850	2050	2450	2650	2850	3050	3650
5'-5 1/2"								
5'-6"	1656	1856	2056	2456	2656	2856	3056	3656
5'-11 1/2"								
6'-0"	1660	1860	2060	2460	2660	2860	3060	3660
6'-5 1/2"								
6'-6"	1666	1866	2066	2466	2666	2866	3066	3666
6'-11 1/2"								
7'-0"	1670	1870	2070	2470	2670	2870	3070	3670
7'-5 1/2"								
7'-6"	1676	1876	2076	2476	2676	2876	3076	3676



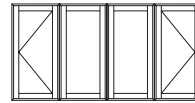
### 2 - Wide Units Width Dimensions

Base Code	Jamb Dimension (Frame Size)	Rough Opening	Metric R.O. (mm)
CS2-16	2'-11 1/16"	2'-11 9/16"	903
CS2-18	3'-3 1/16"	3'-3 9/16"	1005
CS2-20	3'-11 1/16"	3'-11 9/16"	1208
CS2-24	4'-7 1/16"	4'-7 9/16"	1411
CS2-26	4'-11 1/16"	4'-11 9/16"	1513
CS2-28	5'-3 1/16"	5'-3 9/16"	1615
CS2-30	5'-11 1/16"	5'-11 9/16"	1818
CS2-36	6'-11 1/16"	6'-11 9/16"	2122



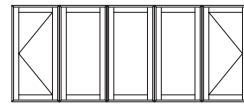
### 3 - Wide Units Width Dimensions

Base Code	Jamb Dimension (Frame Size)	Rough Opening	Metric R.O. (mm)
CS3-16	4'-4 5/8"	4'-5 1/8"	1235
CS3-18	4'-10 5/8"	4'-11 1/8"	1502
CS3-20	5'-10 5/8"	5'-11 1/8"	1807
CS3-24	6'-10 5/8"	6'-11 1/8"	2111
CS3-26	7'-4 5/8"	7'-5 1/8"	2264
CS3-28	7'-10 5/8"	7'-11 1/8"	2416
CS3-30	8'-10 5/8"	8'-11 1/8"	2721



### 4 - Wide Units Width Dimensions

Base Code	Jamb Dimension (Frame Size)	Rough Opening	Metric R.O. (mm)
CS4-16	5'-10 3/16"	5'-10 11/16"	1796
CS4-18	6'-6 3/16"	6'-6 11/16"	1999
CS4-20	7'-10 3/16"	7'-10 11/16"	2405
CS4-24	9'-2 3/16"	9'-2 11/16"	2812
CS4-26	9'-10 3/16"	9'-10 11/16"	3015



### 5 - Wide Units Width Dimensions

Base Code	Jamb Dimension (Frame Size)	Rough Opening	Metric R.O. (mm)
CS5-16	7'-3 3/4"	7'-4 1/4"	2242
CS5-18	8'-1 3/4"	8'-2 1/4"	2496
CS5-20	9'-9 3/4"	9'-10 1/4"	3004

NOTE: Also available in 8-0 height

Push-out casements only available up to 7-0



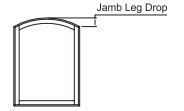
# PREMIUM SERIES 1-WIDE EYEBROW CASEMENT WINDOWS (8211) PUSH-OUT CASEMENT WINDOWS (8213)

## Elevations

Jamb Dimension	1'-11 1/2"	2'-3 1/2"	2'-5 1/2"	2'-7 1/2"	2'-11 1/2"	3'-5 1/2"
Rough Opening	2'-0"	2'-4"	2'-6"	2'-8"	3'-0"	3'-6"
Metric R.O. (mm)	610	711	762	813	914	1067
Glass Size	18 3/4"	22 3/4"	24 3/4"	26 3/4"	30 3/4"	36 3/4"
Jamb Radius	24"	24"	30"	30"	36"	40"
Jamb Leg Drop	3 1/16"	4 5/16"	3 7/8"	4 7/16"	4 11/16"	5 13/16"

2'-11 1/2"						
2'-11 1/2"	2030	2430	2630	2830	3030	3630
3'-5 1/2"						
3'-5 1/2"	2036	2436	2636	2836	3036	3636
3'-11 1/2"						
3'-11 1/2"	2040	2440	2640	2840	3040	3640
4'-5 1/2"						
4'-5 1/2"	2046	2446	2646	2846	3046	3646
4'-11 1/2"						
4'-11 1/2"	2050	2450	2650	2850	3050	3650
5'-5 1/2"						
5'-5 1/2"	2056	2456	2656	2856	3056	3656
5'-11 1/2"						
5'-11 1/2"	2060	2460	2660	2860	3060	3660
6'-5 1/2"						
6'-5 1/2"	2066	2466	2666	2866	3066	3666
6'-11 1/2"						
6'-11 1/2"	2070	2470	2670	2870	3070	3670
7'-5 1/2"						
7'-5 1/2"	2076	2476	2676	2876	3076	3676



For jamb leg heights  
subtract leg drop from height

CASEMENT

Push-out casements only  
available up to 7-0

NOTE: Also available in 8-0 height

NOTE: Available hinged left, right or stationary.

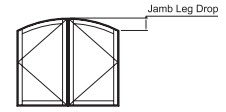
# PREMIUM SERIES

## 2-WIDE EYEBROW CASEMENT WINDOWS (8211)

## PUSH-OUT CASEMENT WINDOWS (8213)

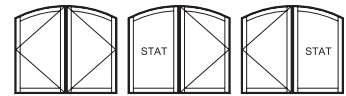
### Elevations

Jamb Dimension	3'-11 1/16"	4'-7 1/16"	4'-11 1/16"	5'-3 1/16"	5'-11 1/16"
Rough Opening	3'-11 9/16"	4'-7 9/16"	4'-11 9/16"	5'-3 9/16"	5'-11 9/16"
Metric R.O. (mm)	1208	1411	1513	1615	1818
Glass Size	18 3/4"	22 3/4"	24 3/4"	26 3/4"	30 3/4"
Jamb Radius	48"	60"	60"	60"	72"
Jamb Leg Drop	6 5/32"	6 11/16"	7 3/4"	8 31/32"	9 3/8"
2-11 1/2"					
3'-0"					
3'-5 1/2"					
3'-6"					
3'-11 1/2"					
4'-0"					
4'-5 1/2"					
4'-6"					
4'-11 1/2"					
5'-0"					
5'-5 1/2"					
5'-6"					
5'-11 1/2"					
6'-0"					
6'-5 1/2"					
6'-6"					
6'-11 1/2"					
7'-0"					
7'-5 1/2"					



For jamb leg heights  
subtract leg drop from height

#### Typical Configurations



Push-out casements only  
available up to 7-0

NOTE: Also available in 8-0 height

CASEMENT

# PREMIUM SERIES 3-WIDE EYEBROW CASEMENT WINDOWS (8211)

## Elevations

Jamb Dimension	5'-10 5/8"	6'-10 5/8"	7'-4 5/8"	7'-10 5/8"	8'-10 5/8"
Rough Opening	5'-11 1/8"	6'-11 1/8"	7'-5 1/8"	7'-11 1/8"	8'-11 1/8"
Metric R.O. (mm)	1807	2111	2264	2416	2721
Glass Size	18 3/4"	22 3/4"	24 3/4"	26 3/4"	30 3/4"
Jamb Radius	72"	84"	84"	96"	108"
Jamb Leg Drop	9 1/4"	10 7/8"	12 5/8"	12 15/32"	14 1/16"

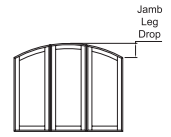
2'-11 1/2"	3'-0"	3'-0"	3'-0"	3'-0"	3'-0"
3'-5 1/2"	3'-6"	3'-6"	3'-6"	3'-6"	3'-6"
3'-11 1/2"	4'-0"	4'-0"	4'-0"	4'-0"	4'-0"
4'-5 1/2"	4'-6"	4'-6"	4'-6"	4'-6"	4'-6"
4'-11 1/2"	5'-0"	5'-0"	5'-0"	5'-0"	5'-0"
5'-5 1/2"	5'-6"	5'-6"	5'-6"	5'-6"	5'-6"
5'-11 1/2"	6'-0"	6'-0"	6'-0"	6'-0"	6'-0"
6'-5 1/2"	6'-6"	6'-6"	6'-6"	6'-6"	6'-6"
6'-11 1/2"	7'-0"	7'-0"	7'-0"	7'-0"	7'-0"
7'-5 1/2"	7'-6"	7'-6"	7'-6"	7'-6"	7'-6"

914	1067	1219	1372	1524	1676	1829	1981	2133	2286
30 3/4"	36 3/4"	42 3/4"	48 3/4"	54 3/4"	60 3/4"	66 3/4"	72 3/4"	78 3/4"	84 3/4"

3-2030	3-2430	3-2630	3-2830	3-3030
3-2036	3-2436	3-2636	3-2836	3-3036
3-2040	3-2440	3-2640	3-2840	3-3040
3-2046	3-2446	3-2646	3-2846	3-3036
3-2050	3-2450	3-2650	3-2850	3-3050
3-2056	3-2456	3-2656	3-2856	3-3056
3-2060	3-2460	3-2660	3-2860	3-3060
3-2066	3-2466	3-2666	3-2866	3-3060
3-2070	3-2470	3-2670	3-2870	3-3070
3-2076	3-2476	3-2676	3-2876	3-3076



For jamb leg heights subtract leg drop from height

CASEMENT

# PREMIUM SERIES CIRCLE TOP CASEMENT WINDOWS (8211)

## Elevations

Jamb Dimension	1'-11 1/2"	2'-3 1/2"	2'-5 1/2"	2'-7 1/2"	2'-11 1/2"	3'-5 1/2"
Rough Opening	2'-0"	2'-4"	2'-6"	2'-8"	3'-0"	3'-6"
Metric R.O. (mm)	610	711	762	813	914	1067
Class Size	18 3/4"	22 3/4"	24 3/4"	26 3/4"	30 3/4"	36 3/4"
Jamb Radius	11 3/4"	13 3/4"	14 3/4"	15 3/4"	17 3/4"	20 3/4"
Jamb Leg Drop	11 3/4"	13 3/4"	14 3/4"	15 3/4"	17 3/4"	20 3/4"

Jamb Dimension	1'-11 1/2"	2'-3 1/2"	2'-5 1/2"	2'-7 1/2"	2'-11 1/2"	3'-5 1/2"
Rough Opening	2'-0"	2'-4"	2'-6"	2'-8"	3'-0"	3'-6"
Metric R.O. (mm)	610	711	762	813	914	1067
Class Size	18 3/4"	22 3/4"	24 3/4"	26 3/4"	30 3/4"	36 3/4"
Jamb Radius	11 3/4"	13 3/4"	14 3/4"	15 3/4"	17 3/4"	20 3/4"
Jamb Leg Drop	11 3/4"	13 3/4"	14 3/4"	15 3/4"	17 3/4"	20 3/4"

Jamb Dimension	1'-11 1/2"	2'-3 1/2"	2'-5 1/2"	2'-7 1/2"	2'-11 1/2"	3'-5 1/2"
Rough Opening	3'-0"	3'-6"	3'-8"	4'-0"	4'-6"	5'-0"
Metric R.O. (mm)	914	1067	1130	1219	1372	1524
Class Size	30 3/4"	36 3/4"	38 3/4"	42 3/4"	48 3/4"	54 3/4"
Jamb Radius	17 3/4"	20 3/4"	21 3/4"	23 3/4"	26 3/4"	30 3/4"
Jamb Leg Drop	17 3/4"	20 3/4"	21 3/4"	23 3/4"	26 3/4"	30 3/4"

Jamb Dimension	1'-11 1/2"	2'-3 1/2"	2'-5 1/2"	2'-7 1/2"	2'-11 1/2"	3'-5 1/2"
Rough Opening	4'-0"	4'-6"	4'-8"	5'-0"	5'-6"	6'-0"
Metric R.O. (mm)	1219	1372	1435	1524	1676	1829
Class Size	42 3/4"	48 3/4"	50 3/4"	54 3/4"	60 3/4"	66 3/4"
Jamb Radius	23 3/4"	26 3/4"	27 3/4"	29 3/4"	33 3/4"	36 3/4"
Jamb Leg Drop	23 3/4"	26 3/4"	27 3/4"	29 3/4"	33 3/4"	36 3/4"

Jamb Dimension	1'-11 1/2"	2'-3 1/2"	2'-5 1/2"	2'-7 1/2"	2'-11 1/2"	3'-5 1/2"
Rough Opening	5'-0"	5'-6"	5'-8"	6'-0"	6'-6"	7'-0"
Metric R.O. (mm)	1524	1676	1739	1829	1981	2133
Class Size	54 3/4"	60 3/4"	62 3/4"	66 3/4"	72 3/4"	78 3/4"
Jamb Radius	30 3/4"	33 3/4"	34 3/4"	36 3/4"	40 3/4"	42 3/4"
Jamb Leg Drop	30 3/4"	33 3/4"	34 3/4"	36 3/4"	40 3/4"	42 3/4"

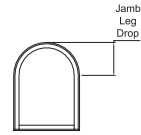
Jamb Dimension	1'-11 1/2"	2'-3 1/2"	2'-5 1/2"	2'-7 1/2"	2'-11 1/2"	3'-5 1/2"
Rough Opening	6'-0"	6'-6"	6'-8"	7'-0"	7'-6"	8'-0"
Metric R.O. (mm)	1829	1981	2044	2133	2286	2438
Class Size	66 3/4"	72 3/4"	74 3/4"	78 3/4"	84 3/4"	90 3/4"
Jamb Radius	36 3/4"	40 3/4"	41 3/4"	43 3/4"	48 3/4"	51 3/4"
Jamb Leg Drop	36 3/4"	40 3/4"	41 3/4"	43 3/4"	48 3/4"	51 3/4"

Jamb Dimension	1'-11 1/2"	2'-3 1/2"	2'-5 1/2"	2'-7 1/2"	2'-11 1/2"	3'-5 1/2"
Rough Opening	7'-0"	7'-6"	7'-8"	8'-0"	8'-6"	9'-0"
Metric R.O. (mm)	2133	2286	2349	2438	2591	2743
Class Size	78 3/4"	84 3/4"	86 3/4"	90 3/4"	96 3/4"	102 3/4"
Jamb Radius	42 3/4"	46 3/4"	47 3/4"	49 3/4"	54 3/4"	57 3/4"
Jamb Leg Drop	42 3/4"	46 3/4"	47 3/4"	49 3/4"	54 3/4"	57 3/4"

Jamb Dimension	1'-11 1/2"	2'-3 1/2"	2'-5 1/2"	2'-7 1/2"	2'-11 1/2"	3'-5 1/2"
Rough Opening	8'-0"	8'-6"	8'-8"	9'-0"	9'-6"	10'-0"
Metric R.O. (mm)	2438	2591	2654	2743	2896	3048
Class Size	90 3/4"	96 3/4"	98 3/4"	102 3/4"	108 3/4"	114 3/4"
Jamb Radius	51 3/4"	55 3/4"	56 3/4"	58 3/4"	63 3/4"	66 3/4"
Jamb Leg Drop	51 3/4"	55 3/4"	56 3/4"	58 3/4"	63 3/4"	66 3/4"



For jamb leg heights  
subtract leg drop from height

NOTE: Also available in 8-0 height









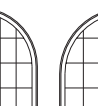
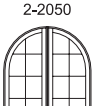

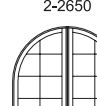


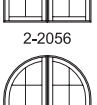
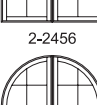
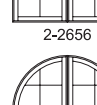


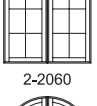
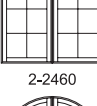
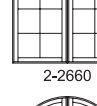


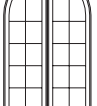
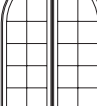
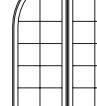

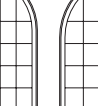
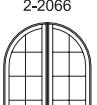
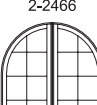
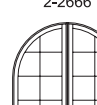


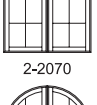
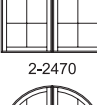
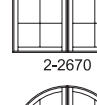


CASEMENT

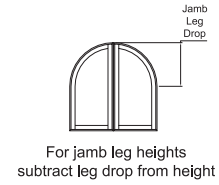


# PREMIUM SERIES 2-WIDE CIRCLE TOP CASEMENT WINDOWS (8211)

## Elevations

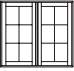
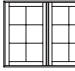
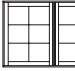
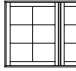
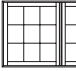
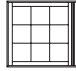





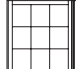





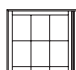












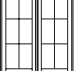
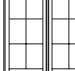



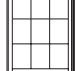





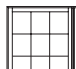






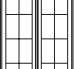



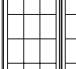
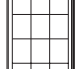
Jamb Dimension	3'-11 1/8"	4'-7 1/16"	4'-11 1/16"	5'-3 1/16"	5'-11 1/16"
Rough Opening	3'-11 9/16"	4'-7 9/16"	4'-11 9/16"	5'-3 9/16"	5'-11 9/16"
Metric R.O. (mm)	1208	1411	1513	1615	1818
Class Size	18 3/4"	22 3/4"	24 3/4"	26 3/4"	30 3/4"
Jamb Radius	23 1/2"	27 1/2"	29 1/2"	31 1/2"	35 1/2"
Jamb Leg Drop	23 1/2"	27 1/2"	29 1/2"	31 1/2"	35 1/2"

3'-11 1/2"	 2-2040				
4'-0"	 2-2046				
4'-5 1/2"	 2-2446	 2-2646			
4'-11 1/2"	 2-2050	 2-2450	 2-2650	 2-2850	 2-3050
5'-5 1/2"	 2-2056	 2-2456	 2-2656	 2-2856	 2-3056
5'-11 1/2"	 2-2060	 2-2460	 2-2660	 2-2860	 2-3060
6'-5 1/2"	 2-2066	 2-2466	 2-2666	 2-2866	 2-3066
6'-11 1/2"	 2-2070	 2-2470	 2-2670	 2-2870	 2-3070
7'-5 1/2"	 2-2076	 2-2476	 2-2676	 2-2876	 2-3076
7'-11 1/2"	 2-2080	 2-2480	 2-2680	 2-2880	 2-3080



# PREMIUM SERIES FRENCH CASEMENT WINDOWS (8214) PUSH-OUT FRENCH CASEMENT WINDOWS (8213)

## Elevations

Jamb Dimension	3'-3 1/8"	3'-11 1/8"	4'-7 1/16"	4'-11 1/16"	5'-3 1/16"	5'-11 1/16"
Rough Opening	3'-3 9/16"	3'-11 9/16"	4'-7 9/16"	4'-11 9/16"	5'-3 9/16"	5'-11 9/16"
Metric R.O. (mm)	1005	1208	1411	1513	1615	1818
Glass Size	15 3/16"	19 3/16"	23 3/16"	25 3/16"	27 3/16"	31 3/16"
2'-11 1/2"						
3'-0"	FC2-1830	FC2-2030	FC2-2430	FC2-2630	FC2-2830	FC2-3030
3'-5 1/2"						
3'-6"	FC2-1836	FC2-2036	FC2-2436	FC2-2636	FC2-2836	FC2-3036
3'-11 1/2"						
4'-0"	FC2-1840	FC2-2040	FC2-2440	FC2-2640	FC2-2840	FC2-3040
4'-5 1/2"						
4'-6"	FC2-1846	FC2-2046	FC2-2446	FC2-2646	FC2-2846	FC2-3046
4'-11 1/2"						
5'-0"	FC2-1850	FC2-2050	FC2-2450	FC2-2650	FC2-2850	FC2-3050
5'-5 1/2"						
5'-6"	FC2-1856	FC2-2056	FC2-2456	FC2-2656	FC2-2856	FC2-3056
5'-11 1/2"						
6'-0"	FC2-1860	FC2-2060	FC2-2460	FC2-2660	FC2-2860	FC2-3060
6'-5 1/2"						
6'-6"	FC2-1866	FC2-2066	FC2-2466	FC2-2666	FC2-2866	FC2-3066
6'-11 1/2"						
7'-0"	FC2-1870	FC2-2070	FC2-2470	FC2-2670	FC2-2870	FC2-3070

NOTE: 6-6 & 7-0 heights available for Push-out only

# PREMIUM SERIES CASEMENT PICTURE WINDOWS (8211)

## Elevations

Jamb Dimension	1'-5 1/2"	1'-7 1/2"	1'-11 1/2"	2'-3 1/2"	2'-5 1/2"	2'-7 1/2"	2'-11 1/2"	3'-5 1/2"	3'-11 1/2"	4'-5 1/2"	4'-11 1/2"
Rough Opening	1'-6"	1'-8"	2'-0"	2'-4"	2'-6"	2'-8"	3'-0"	3'-6"	4'-0"	4'-6"	5'-0"
Metric R.O. (mm)	457	508	610	711	762	813	914	1067	1219	1372	1524
Class Size	12 3/4"	14 3/4"	18 3/4"	22 3/4"	24 3/4"	26 3/4"	30 3/4"	36 3/4"	42 3/4"	48 3/4"	54 3/4"
1'-5 1/2"	1620	1820	2020	2420	2620	2820	3020	3620	4020	4620	5020
1'-7 1/2"	1626	1826	2026	2426	2626	2826	3026	3626	4026	4626	5026
1'-11 1/2"	1630	1830	2030	2430	2630	2830	3030	3630	4030	4630	5030
2'-3 1/2"	1636	1836	2036	2436	2636	2836	3036	3636	4036	4636	5036
2'-5 1/2"	1640	1840	2040	2440	2640	2840	3040	3640	4040	4640	5040
2'-7 1/2"	1646	1846	2046	2446	2646	2846	3046	3646	4046	4646	5046
2'-11 1/2"	1650	1850	2050	2450	2650	2850	3050	3650	4050	4650	5050
3'-5 1/2"	1656	1856	2056	2456	2656	2856	3056	3656	4056	4656	5056
3'-11 1/2"	1660	1860	2060	2460	2660	2860	3060	3660	4060	4660	5060
4'-5 1/2"	1666	1866	2066	2466	2666	2866	3066	3666	4066	4666	5066
4'-11 1/2"	1670	1870	2070	2470	2670	2870	3070	3670	4070	4670	5070
5'-5 1/2"	1676	1876	2076	2476	2676	2876	3076	3676	4076	4676	5076

CASEMENT

NOTE: Also available in 8-0 height

# PREMIUM SERIES CASEMENT PICTURE WINDOWS (8211)

## Elevations

Jamb Dimension	5'-5 1/2"	5'-11 1/2"	6'-5 1/2"	6'-11 1/2"	7'-5 1/2"	7'-11 1/2"
Rough Opening	5'-6"	6'-0"	6'-6"	7'-0"	7'-6"	8'-0"
Metric R.O. (mm)	1676	1829	1981	2134	2286	2438
Class Size	60 3/4"	66 3/4"	72 3/4"	78 3/4"	84 3/4"	90 3/4"
1'-11 1/2"						
2'-0"						
2'-5 1/2"						
2'-6"						
2'-11 1/2"						
3'-0"						
3'-5 1/2"						
3'-6"						
3'-11 1/2"						
4'-0"						
4'-5 1/2"						
4'-6"						
4'-11 1/2"						
5'-0"						
5'-5 1/2"						
5'-6"						
5'-11 1/2"						
6'-0"						
6'-5 1/2"						
6'-6"						
6'-11 1/2"						
7'-0"						
7'-5 1/2"						
7'-6"						
7'-11 1/2"						

NOTE: Also available  
in 8-0 height

CASEMENT



# PREMIUM SERIES CASEMENT TRANSOM WINDOWS (8211)

## Elevations

Jamb Dimension	1'-5 1/2"	1'-7 1/2"	1'-11 1/2"	2'-3 1/2"	2'-5 1/2"	2'-7 1/2"	2'-11 1/2"	3'-5 1/2"	3'-11 1/2"	4'-5 1/2"	4'-11 1/2"
Rough Opening	1'-6"	1'-8"	2'-0"	2'-4"	2'-6"	2'-8"	3'-0"	3'-6"	4'-0"	4'-6"	5'-0"
Metric R.O. (mm)	457	508	610	711	762	813	914	1067	1219	1372	1524
Glass Size	12 3/4"	14 3/4"	18 3/4"	22 3/4"	24 3/4"	26 3/4"	30 3/4"	36 3/4"	42 3/4"	48 3/4"	54 3/4"

1'-5 1/2"											
1'-6"	1616	1816	2016	2416	2616	2816	3016	3616	4016	4616	5016
1'-7 1/2"											
1'-8"	1618	1818	2018	2418	2618	2818	3018	3618	4018	4618	5018
1'-11 1/2"											
2'-0"	1620	1820	2020	2420	2620	2820	3020	3620	4020	4620	5020
2'-5 1/2"											
2'-6"	1626	1826	2026	2426	2626	2826	3026	3626	4026	4626	5026
2'-11 1/2"											
3'-0"	1630	1830	2030	2430	2630	2830	3030	3630	4030	4630	5030
3'-5 1/2"											
3'-0"	1630	1830	2030	2430	2630	2830	3030	3630	4030	4630	5030
3'-11 1/2"											
3'-0"	1630	1830	2030	2430	2630	2830	3030	3630	4030	4630	5030

Jamb Dimension	5'-5 1/2"	5'-11 1/2"	6'-5 1/2"	6'-11 1/2"	7'-5 1/2"	7'-11 1/2"
Rough Opening	5'-6"	6'-0"	6'-6"	7'-0"	7'-6"	8'-0"
Metric R.O. (mm)	1676	1829	1981	2134	2286	2438
Glass Size	60 3/4"	66 3/4"	72 3/4"	78 3/4"	84 3/4"	90 3/4"

1'-5 1/2"						
1'-6"	5616	6016	6616	7016	7616	8016
1'-7 1/2"						
1'-8"	5618	6018	6618	7018	7618	8018
1'-11 1/2"						
2'-0"	5620	6020	6620	7020	7620	8020
2'-5 1/2"						
2'-6"	5626	6026	6626	7026	7626	8026
2'-11 1/2"						
3'-0"	5630	6030	6630	7030	7630	8030
3'-5 1/2"						
3'-0"	5630	6030	6630	7030	7630	8030
3'-11 1/2"						
3'-0"	5630	6030	6630	7030	7630	8030

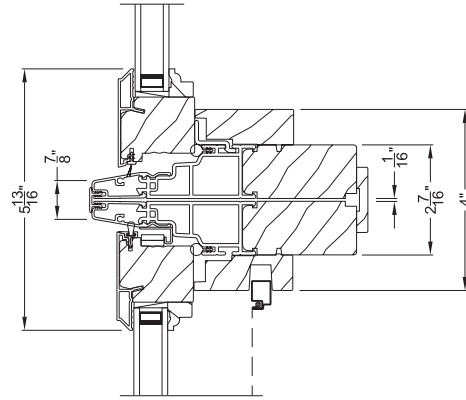
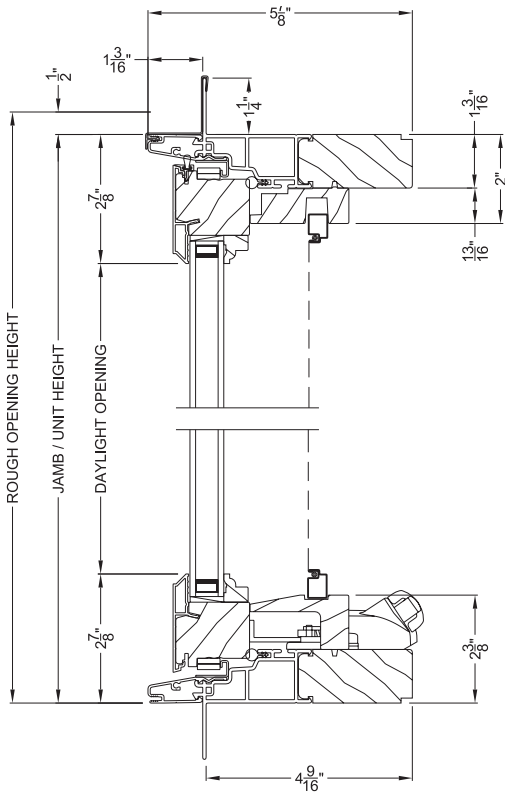
<b>2 - Wide Units</b> Width Dimensions				<b>3 - Wide Units</b> Width Dimensions				<b>4 - Wide Units</b> Width Dimensions			
Base Code	Jamb Dimension (Frame Size)	Rough Opening	Metric R.O. (mm)	Base Code	Jamb Dimension (Frame Size)	Rough Opening	Metric R.O. (mm)	Base Code	Jamb Dimension (Frame Size)	Rough Opening	Metric R.O. (mm)
CS2-16	2'-11 1/16"	2'-11 9/16"	903	CS3-16	4'-4 5/8"	4'-5 1/8"	1235	CS4-16	5'-10 3/16"	5'-10 11/16"	1796
CS2-18	3'-3 1/16"	3'-3 9/16"	1005	CS3-18	4'-10 5/8"	4'-11 1/8"	1502	CS4-18	6'-6 3/16"	6'-6 11/16"	1999
CS2-20	3'-11 1/16"	3'-11 9/16"	1208	CS3-20	5'-10 5/8"	5'-11 1/8"	1807	CS4-20	7'-10 3/16"	7'-10 11/16"	2405
CS2-24	4'-7 1/16"	4'-7 9/16"	1411	CS3-24	6'-10 5/8"	6'-11 1/8"	2111	CS4-24	9'-2 3/16"	9'-2 11/16"	2812
CS2-26	4'-11 1/16"	4'-11 9/16"	1513	CS3-26	7'-4 5/8"	7'-5 1/8"	2264	CS4-26	9'-10 3/16"	9'-10 11/16"	3015
CS2-28	5'-3 1/16"	5'-3 9/16"	1615	CS3-28	7'-10 5/8"	7'-11 1/8"	2416	<b>5 - Wide Units</b> Width Dimensions			
CS2-30	5'-11 1/16"	5'-11 9/16"	1818	CS3-30	8'-10 5/8"	8'-11 1/8"	2721				
CS2-36	6'-11 1/16"	6'-11 9/16"	2122								
CS2-40	7'-11 1/16"	7'-11 9/16"	2427								
CS2-46	8'-11 1/16"	8'-11 9/16"	2732								
CS2-50	9'-11 1/16"	9'-11 9/16"	3037								
Base Code	Jamb Dimension (Frame Size)	Rough Opening	Metric R.O. (mm)								
CS5-16	7'-3 3/4"	7'-4 1/4"	2242								
CS5-18	8'-1 3/4"	8'-2 1/4"	2496								
CS5-20	9'-9 3/4"	9'-10 1/4"	3004								

CASEMENT

# PREMIUM SERIES CASEMENT WINDOWS (8211)

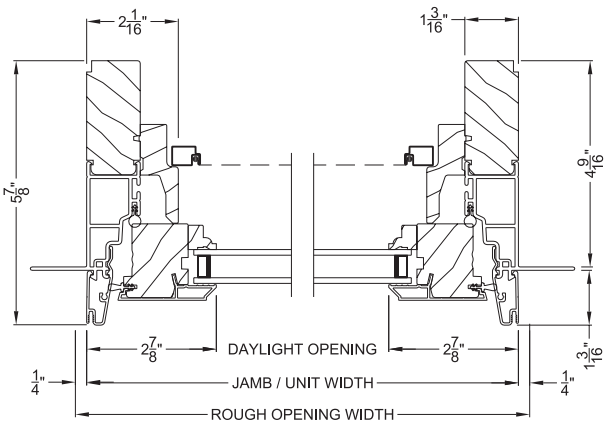
## Cross Sections

CASEMENT

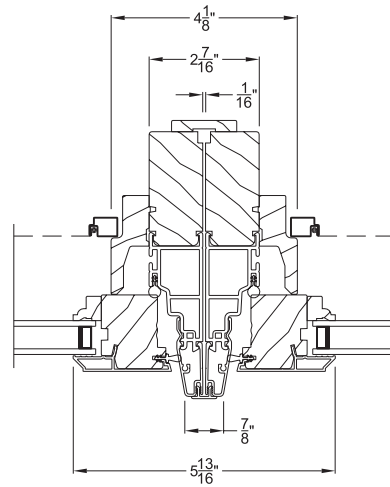


**PREMIUM CASEMENT WINDOW**  
Horizontal Stack Section - Transom Stack over Casement

**PREMIUM CASEMENT WINDOW (8211)**  
Vertical Section



**PREMIUM CASEMENT WINDOW (8211)**  
Horizontal Section

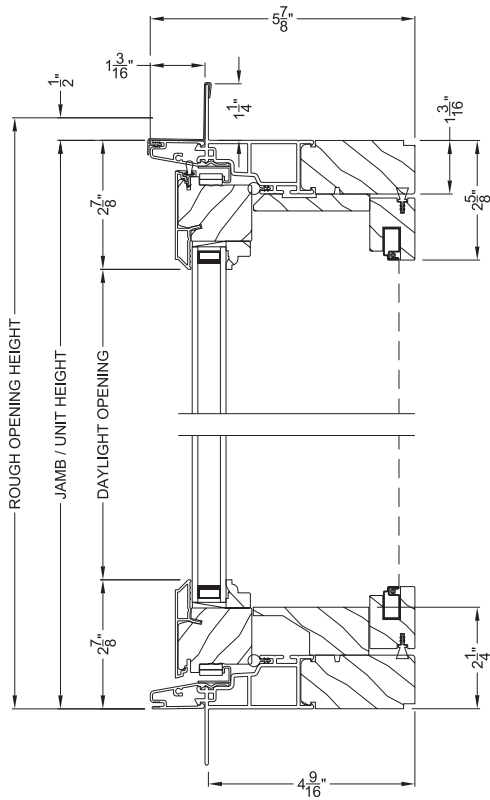


**PREMIUM CASEMENT WINDOW**  
Vertical Mull Section

Note: All dimensions are approximate. Weather Shield reserves the right to change specifications without notice.

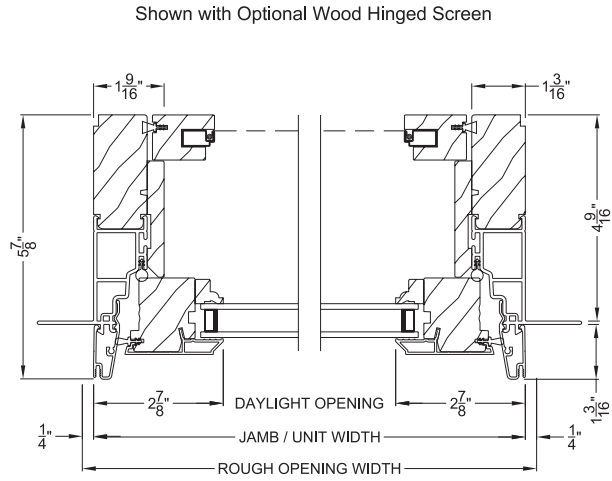
# PREMIUM SERIES PUSH-OUT CASEMENT WINDOWS (8213)

## Cross Sections



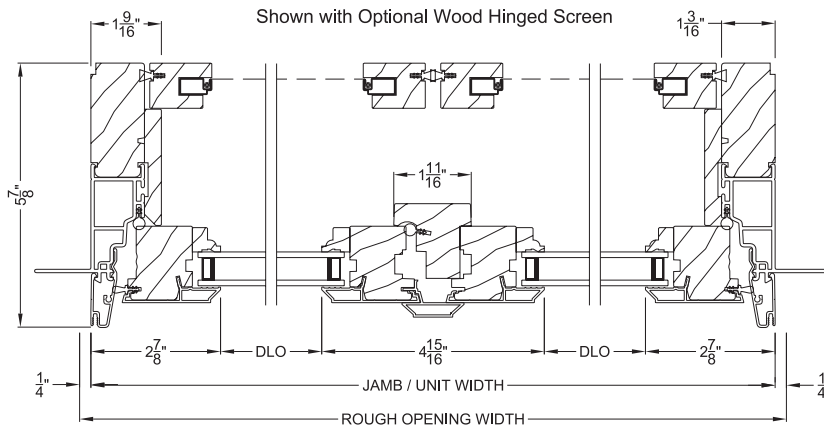
Shown with Optional Wood Hinged Screen

**PREMIUM CASEMENT WINDOW (8213)**  
Vertical Section - Manual Push Out



Shown with Optional Wood Hinged Screen

**PREMIUM CASEMENT WINDOW (8213)**  
Horizontal Section - Manual Push Out



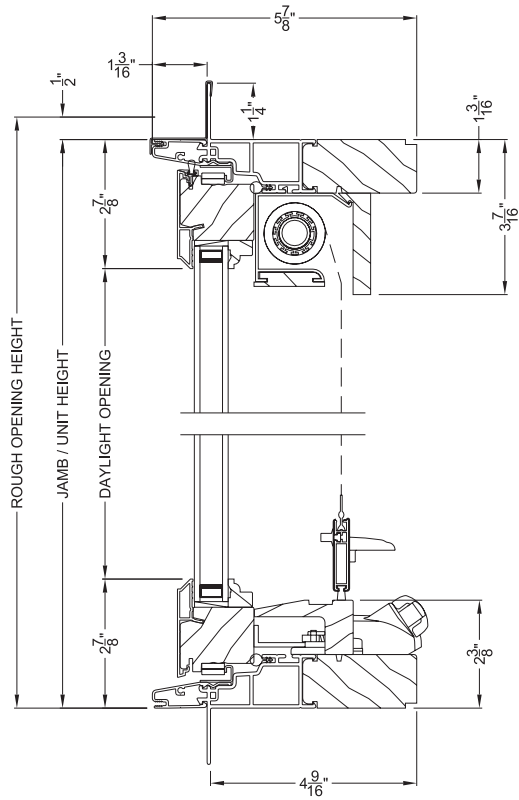
Shown with Optional Wood Hinged Screen

**PREMIUM FRENCH CASEMENT WINDOW (8213)**  
Horizontal Section - Manual Push Out

Note: All dimensions are approximate. Weather Shield reserves the right to change specifications without notice.

# PREMIUM SERIES FRENCH CASEMENT WINDOWS (8214)

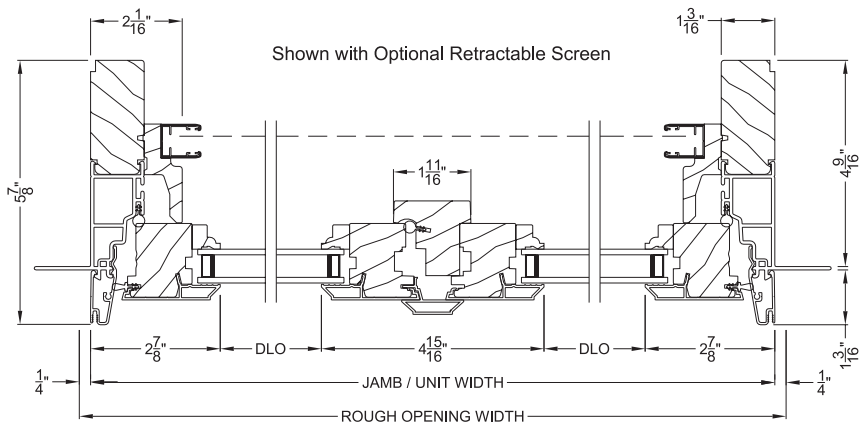
## Cross Sections



Shown with Optional Retractable Screen

### PREMIUM FRENCH CASEMENT WINDOW (8214)

Vertical Section - Crank Operator



Shown with Optional Retractable Screen

### PREMIUM FRENCH CASEMENT WINDOW (8214)

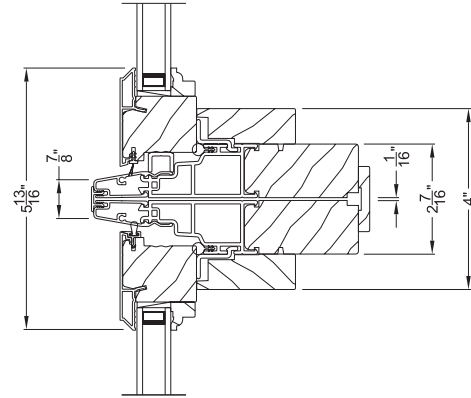
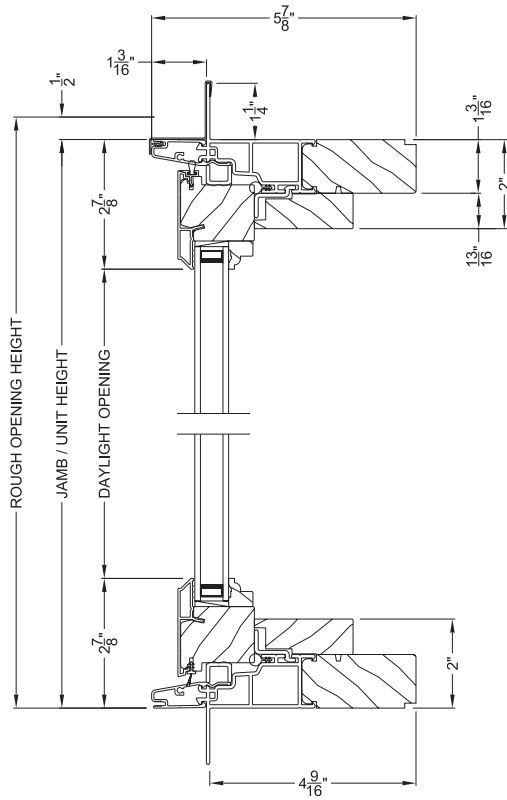
Horizontal Section - Crank Operator

: All dimensions are approximate. Weather Shield reserves the right to change specifications without notice.



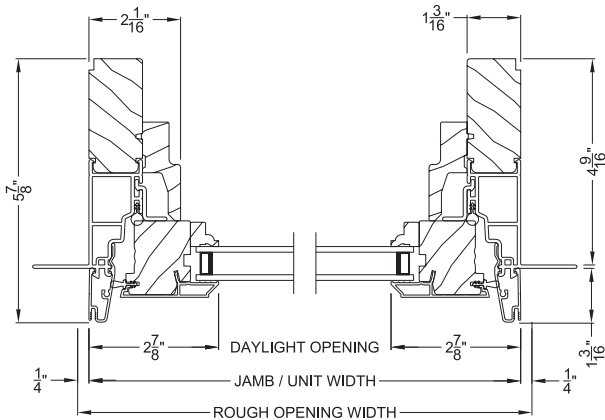
# PREMIUM SERIES CASEMENT PICTURE/TRANSOM WINDOWS (8211)

## Cross Sections

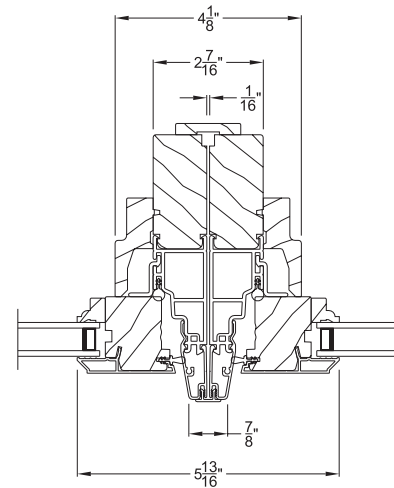


**PREMIUM CASEMENT PICTURE WINDOW**  
Horizontal Stack Section - Transom Stack over Casement Picture

**PREMIUM CASEMENT PICTURE WINDOW (8211)**  
Vertical Section



**PREMIUM CASEMENT PICTURE WINDOW (8211)**  
Horizontal Section



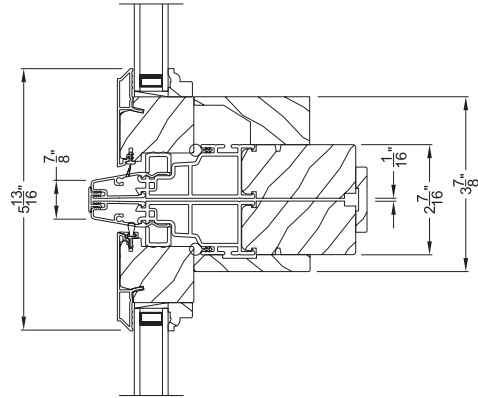
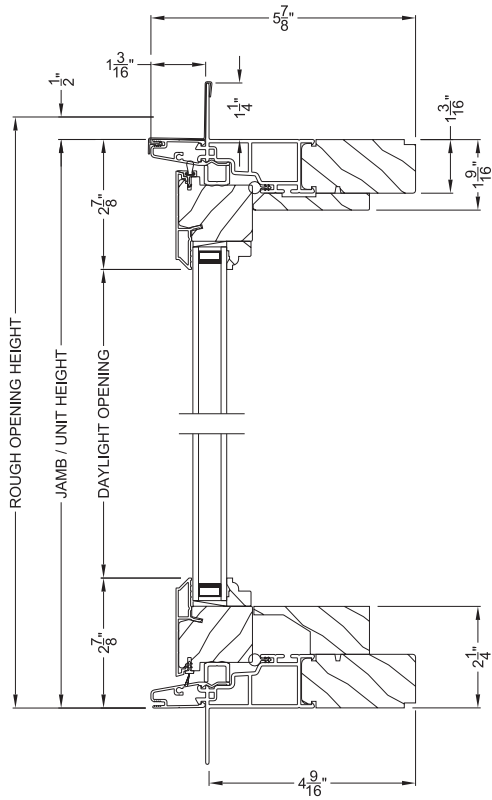
**PREMIUM CASEMENT PICTURE WINDOW**  
Vertical Mull Section

Note: All dimensions are approximate. Weather Shield reserves the right to change specifications without notice.

# PREMIUM SERIES PUSH-OUT CASEMENT PICTURE/TRANSOM WINDOWS (8213)

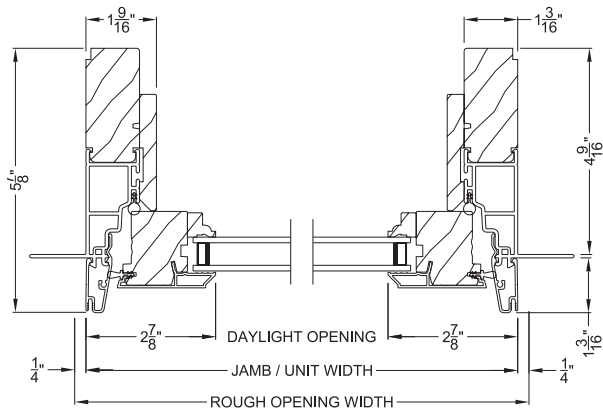
## Cross Sections

CASEMENT

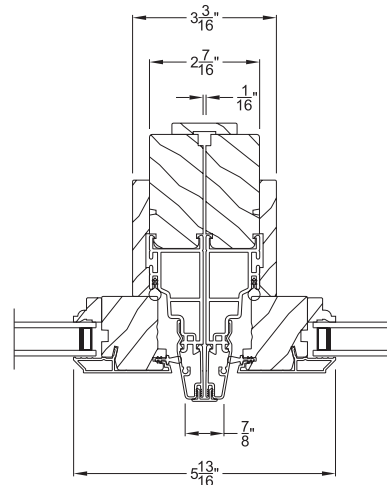


PREMIUM CASEMENT PICTURE WINDOW  
Horizontal Stack Section - Transom Stack over Casement Picture

PREMIUM CASEMENT PICTURE WINDOW (8213)  
Vertical Section - Manual Push Out



PREMIUM CASEMENT PICTURE WINDOW (8213)  
Horizontal Section - Manual Push Out



PREMIUM CASEMENT PICTURE WINDOW  
Vertical Mull Section

Note: All dimensions are approximate. Weather Shield reserves the right to change specifications without notice.

# PREMIUM SERIES CASEMENT WINDOWS (8211)

## Opening Specifications

Call Size	Sq. Ft. Clear Opening	Clear Opening		Sq. Ft. Daylight Opening	Sq. Ft. Vent	Floor to Bottom of Clear Opening <sup>a</sup>	Sq. Ft. Overall Unit Area <sup>b</sup>
		Width	Height				
1620	1.29	9.71	19.13	1.45	1.56	60.89	2.86
1626	1.70	9.71	25.13	1.94	2.05	54.89	3.59
1630	2.10	9.71	31.13	2.43	2.54	48.89	4.31
1636	2.50	9.71	37.13	2.92	3.03	42.89	5.04
1640	2.91	9.71	43.13	3.41	3.52	36.89	5.77
1646	3.31	9.71	49.13	3.90	4.01	30.89	6.50
1650	3.72	9.71	55.13	4.39	4.50	24.89	7.23
1656	4.12	9.71	61.13	4.88	4.99	18.89	7.96
1660	4.53	9.71	67.13	5.37	5.48	36.89	8.69
1666	4.93	9.71	73.13	5.85	5.97	30.89	9.42
1670	5.34	9.71	79.13	6.34	6.46	24.89	10.15
1676	5.74	9.71	85.13	6.83	6.95	18.89	10.88
1680	6.15	9.71	91.13	7.32	7.44	12.89	11.61
1820	1.56	11.71	19.13	1.69	1.83	60.89	3.18
1826	2.04	11.71	25.13	2.27	2.40	54.89	3.99
1830	2.53	11.71	31.13	2.84	2.97	48.89	4.81
1836	3.02	11.71	37.13	3.41	3.55	42.89	5.62
1840	3.51	11.71	43.13	3.99	4.12	36.89	6.43
1846	4.00	11.71	49.13	4.56	4.69	30.89	7.24
1850	4.48	11.71	55.13	5.13	5.26	24.89	8.06
1856	4.97	11.71	61.13	5.71	5.84	18.89	8.87
1860	5.46	11.71	67.13	6.28	6.41	36.89	9.68
1866	5.95	11.71	73.13	6.85	6.98	30.89	10.49
1870	6.44	11.71	79.13	7.42	7.56	24.89	11.31
1876	6.92	11.71	85.13	8.00	8.13	18.89	12.12
1880	7.41	11.71	91.13	8.57	8.70	12.89	12.93
2020	2.09	15.71	19.13	2.19	2.36	60.89	3.84
2026	2.74	15.71	25.13	2.93	3.10	54.89	4.81
2030	3.40	15.71	31.13	3.67	3.84	48.89	5.79
2036	4.05	15.71	37.13	4.41	4.58	42.89	6.77
2040	4.71	15.71	43.13	5.15	5.32	36.89	7.75
2046	5.36	15.71	49.13	5.89	6.06	30.89	8.73
2050	6.02	15.71	55.13	6.63	6.80	24.89	9.71
2056	6.67	15.71	61.13	7.37	7.54	18.89	10.69
2060	7.33	15.71	67.13	8.10	8.28	36.89	11.67
2066	7.98	15.71	73.13	8.84	9.02	30.89	12.65
2070	8.63	15.71	79.13	9.58	9.75	24.89	13.63
2076	9.29	15.71	85.13	10.32	10.49	18.89	14.61
2080	9.94	15.71	91.13	11.06	11.23	12.89	15.59
2420	2.62	19.71	19.13	2.68	2.89	60.89	4.49
2426	3.44	19.71	25.13	3.59	3.80	54.89	5.63
2430	4.26	19.71	31.13	4.49	4.70	48.89	6.78
2436	5.08	19.71	37.13	5.40	5.61	42.89	7.93
2440	6.42	21.44	43.13	6.31	6.52	36.89	9.07
2446	7.32	21.44	49.13	7.21	7.42	30.89	10.22
2450	8.21	21.44	55.13	8.12	8.33	24.89	11.36
2456	9.10	21.44	61.13	9.02	9.23	18.89	12.51
2460	10.00	21.44	67.13	9.93	10.14	36.89	13.65
2466	10.89	21.44	73.13	10.84	11.05	30.89	14.80
2470	11.78	21.44	79.13	11.74	11.95	24.89	15.95
2476	12.68	21.44	85.13	12.65	12.86	18.89	17.09
2480	13.57	21.44	91.13	13.56	13.77	12.89	18.24

Shaded sizes meet or exceed egress opening requirements per 2015 IBC (International Building Code) minimum dimensions of 20" clear opening width, 24" clear opening height, 5.7 sq. ft. clear opening and floor to bottom of clear opening not to exceed 44".

<sup>a</sup> Floor to bottom of clear opening dimensions are based on 82" jamb height of a 6-10 door.

All units over 66" RO height are based off 106" jamb height for floor to clear opening dimension

<sup>b</sup> Sq. Ft. Overall Unit Area is calculated on the jamb dimension.

The requirements outlined above for the major US building codes can be modified by local jurisdictions. Therefore, it is important to check local codes in the areas in which the product is to be installed.

# PREMIUM SERIES CASEMENT WINDOWS (8211)

## Opening Specifications

Call Size	Sq. Ft. Clear Opening	Clear Opening		Sq. Ft. Daylight Opening	Sq. Ft. Vent	Floor to Bottom of Clear Opening <sup>a</sup>	Sq. Ft. Overall Unit Area <sup>b</sup>
		Width	Height				
2620	2.88	21.71	19.13	2.93	3.16	60.89	4.81
2626	3.79	21.71	25.13	3.92	4.15	54.89	6.04
2630	4.69	21.71	31.13	4.91	5.13	48.89	7.27
2636	6.05	23.44	37.13	5.90	6.12	42.89	8.50
2640	6.50	21.71	43.13	6.89	7.11	36.89	9.73
2646	7.41	21.71	49.13	7.88	8.10	30.89	10.96
2650	8.31	21.71	55.13	8.87	9.09	24.89	12.19
2656	9.22	21.71	61.13	9.85	10.08	18.89	13.42
2660	10.12	21.71	67.13	10.84	11.07	36.89	14.65
2666	11.03	21.71	73.13	11.83	12.06	30.89	15.88
2670	11.93	21.71	79.13	12.82	13.05	24.89	17.11
2676	12.84	21.71	85.13	13.81	14.04	18.89	18.34
2680	13.74	21.71	91.13	14.80	15.03	12.89	19.56
2820	2.86	21.53	19.13	3.17	3.42	60.89	5.14
2826	3.76	21.53	25.13	4.25	4.49	54.89	6.45
2830	4.66	21.53	31.13	5.32	5.57	48.89	7.77
2836	6.11	23.71	37.13	6.39	6.64	42.89	9.08
2840	6.45	21.53	43.13	7.47	7.71	36.89	10.39
2846	7.35	21.53	49.13	8.54	8.79	30.89	11.70
2850	8.24	21.53	55.13	9.61	9.86	24.89	13.02
2856	9.14	21.53	61.13	10.68	10.93	18.89	14.33
2860	10.04	21.53	67.13	11.76	12.01	36.89	15.64
2866	10.94	21.53	73.13	12.83	13.08	30.89	16.95
2870	11.83	21.53	79.13	13.90	14.15	24.89	18.27
2876	12.73	21.53	85.13	14.98	15.22	18.89	19.58
2880	13.63	21.53	91.13	16.05	16.30	12.89	20.89
3020	3.38	25.47	19.13	3.67	3.95	60.89	5.79
3026	4.44	25.47	25.13	4.91	5.19	54.89	7.27
3030 <sup>c</sup>	5.99	27.71	31.13	6.15	6.43	48.89	8.75
3036	6.57	25.47	37.13	7.39	7.67	42.89	10.23
3040	7.63	25.47	43.13	8.63	8.91	36.89	11.71
3046	8.69	25.47	49.13	9.87	10.15	30.89	13.19
3050	9.75	25.47	55.13	11.10	11.39	24.89	14.67
3056	10.81	25.47	61.13	12.34	12.63	18.89	16.15
3060	11.87	25.47	67.13	13.58	13.87	36.89	17.63
3066	12.93	25.47	73.13	14.82	15.11	30.89	19.11
3070	13.99	25.47	79.13	16.06	16.35	24.89	20.59
3076	15.06	25.47	85.13	17.30	17.59	18.89	22.06
3080	16.12	25.47	91.13	18.54	18.83	12.89	23.54
3620	4.17	31.37	19.13	4.41	4.75	60.89	6.77
3626	5.47	31.37	25.13	5.90	6.24	54.89	8.50
3630 <sup>c</sup>	7.29	33.71	31.13	7.39	7.73	48.89	10.23
3636	8.11	31.47	37.13	8.88	9.22	42.89	11.96
3640	9.43	31.47	43.13	10.37	10.71	36.89	13.69
3646	10.74	31.47	49.13	11.85	12.20	30.89	15.42
3650	12.05	31.47	55.13	13.34	13.69	24.89	17.15
3656	13.36	31.47	61.13	14.83	15.18	18.89	18.88
3660	14.67	31.47	67.13	16.32	16.67	36.89	20.61
3666	15.98	31.47	73.13	17.81	18.16	30.89	22.34
3670	17.29	31.47	79.13	19.30	19.65	24.89	24.06
3676	18.60	31.47	85.13	20.79	21.14	18.89	25.79
3680	19.91	31.47	91.13	22.28	22.63	12.89	27.52

Shaded sizes meet or exceed egress opening requirements per 2015 IBC (International Building Code) minimum dimensions of 20" clear opening width, 24" clear opening height, 5.7 sq. ft. clear opening and floor to bottom of clear opening not to exceed 44".

<sup>a</sup> Floor to bottom of clear opening dimensions are based on 82" jamb height of a 6-10 door.

All units over 66" RO height are based off 106" jamb height for floor to clear opening dimension

<sup>b</sup> Sq. Ft. Overall Unit Area is calculated on the jamb dimension.

<sup>c</sup> These windows meet or exceed emergency escape and rescue opening requirements if installed lower in the wall so the "Floor to Bottom of Clear Opening Height" does not exceed 44".

All units 30.5" or wider in rough opening width are manufactured with a 14" hinge. Sash opens to approximately 82° at full opening, which could limit emergency escape and rescue compatibility. Clear opening width values for these are calculated parallel to the sash. Check with your local building inspector to verify allowance

The requirements outlined above for the major US building codes can be modified by local jurisdictions. Therefore, it is important to check local codes in the areas in which the product is to be installed.

# PREMIUM SERIES PUSH OUT CASEMENT WINDOWS (8213)

## Opening Specifications

Call Size	Sq. Ft. Clear Opening	Clear Opening		Sq. Ft. Daylight Opening	Sq. Ft. Vent	Floor to Bottom of Clear Opening <sup>a</sup>	Sq. Ft. Overall Unit Area <sup>b</sup>
		Width	Height				
1620	1.29	9.41	19.69	1.45	1.61	60.75	2.86
1626	1.68	9.41	25.69	1.94	2.10	54.75	3.59
1630	2.07	9.41	31.69	2.43	2.59	48.75	4.31
1636	2.46	9.41	37.69	2.92	3.08	42.75	5.04
1640	2.85	9.41	43.69	3.41	3.56	36.75	5.77
1646	3.25	9.41	49.69	3.90	4.05	30.75	6.50
1650	3.64	9.41	55.69	4.39	4.54	24.75	7.23
1656	4.03	9.41	61.69	4.88	5.03	18.75	7.96
1660	4.42	9.41	67.69	5.37	5.52	36.75	8.69
1666	4.81	9.41	73.69	5.85	6.01	30.75	9.42
1670	5.21	9.41	79.69	6.34	6.50	24.75	10.15
1820	1.56	11.40	19.69	1.69	1.88	60.75	3.18
1826	2.03	11.40	25.69	2.27	2.45	54.75	3.99
1830	2.51	11.40	31.69	2.84	3.03	48.75	4.81
1836	2.98	11.40	37.69	3.41	3.60	42.75	5.62
1840	3.46	11.40	43.69	3.99	4.17	36.75	6.43
1846	3.93	11.40	49.69	4.56	4.74	30.75	7.24
1850	4.41	11.40	55.69	5.13	5.32	24.75	8.06
1856	4.88	11.40	61.69	5.71	5.89	18.75	8.87
1860	5.36	11.40	67.69	6.28	6.46	36.75	9.68
1866	5.83	11.40	73.69	6.85	7.04	30.75	10.49
1870	6.31	11.40	79.69	7.42	7.61	24.75	11.31
2020	2.10	15.38	19.69	2.19	2.43	60.75	3.84
2026	2.74	15.38	25.69	2.93	3.17	54.75	4.81
2030	3.38	15.38	31.69	3.67	3.91	48.75	5.79
2036	4.03	15.38	37.69	4.41	4.65	42.75	6.77
2040	4.67	15.38	43.69	5.15	5.39	36.75	7.75
2046	5.31	15.38	49.69	5.89	6.12	30.75	8.73
2050	5.95	15.38	55.69	6.63	6.86	24.75	9.71
2056	6.59	15.38	61.69	7.37	7.60	18.75	10.69
2060	7.23	15.38	67.69	8.10	8.34	36.75	11.67
2066	7.87	15.38	73.69	8.84	9.08	30.75	12.65
2070	8.51	15.38	79.69	9.58	9.82	24.75	13.63
2420	2.65	19.37	19.69	2.68	2.97	60.75	4.49
2426	3.46	19.37	25.69	3.59	3.88	54.75	5.63
2430	4.26	19.37	31.69	4.49	4.79	48.75	6.78
2436	5.75	21.97	37.69	5.40	5.69	42.75	7.93
2440	6.66	21.97	43.69	6.31	6.60	36.75	9.07
2446	7.58	21.97	49.69	7.21	7.50	30.75	10.22
2450	8.50	21.97	55.69	8.12	8.41	24.75	11.36
2456	9.41	21.97	61.69	9.02	9.32	18.75	12.51
2460	10.33	21.97	67.69	9.93	10.22	36.75	13.65
2466	11.24	21.97	73.69	10.84	11.13	30.75	14.80
2470	12.16	21.97	79.69	11.74	12.04	24.75	15.95

Shaded sizes meet or exceed egress opening requirements per 2015 IBC (International Building Code) minimum dimensions of 20" clear opening width, 24" clear opening height, 5.7 sq. ft. clear opening and floor to bottom of clear opening not to exceed 44".

<sup>a</sup> Floor to bottom of clear opening dimensions are based on 82" jamb height of a 6-10 door.

All units over 66" RO height are based off 106" jamb height for floor to clear opening dimension

<sup>b</sup> Sq. Ft. Overall Unit Area is calculated on the jamb dimension.

<sup>c</sup> These windows meet or exceed emergency escape and rescue opening requirements if installed lower in the wall so the "Floor to Bottom of Clear Opening Height" does not exceed 44".

The requirements outlined above for the major US building codes can be modified by local jurisdictions. Therefore, it is important to check local codes in the areas in which the product is to be installed.



# PREMIUM SERIES PUSH OUT CASEMENT WINDOWS (8213)

## Opening Specifications

Call Size	Sq. Ft. Clear Opening	Clear Opening		Sq. Ft. Daylight Opening	Sq. Ft. Vent	Floor to Bottom of Clear Opening <sup>a</sup>	Sq. Ft. Overall Unit Area <sup>b</sup>
		Width	Height				
2620	2.81	20.57	19.69	2.93	3.25	60.75	4.81
2626	3.67	20.57	25.69	3.92	4.24	54.75	6.04
2630	4.53	20.57	31.69	4.91	5.23	48.75	7.27
2636	6.27	23.97	37.69	5.90	6.22	42.75	8.50
2640	6.24	20.57	43.69	6.89	7.21	36.75	9.73
2646	7.10	20.57	49.69	7.88	8.19	30.75	10.96
2650	7.96	20.57	55.69	8.87	9.18	24.75	12.19
2656	8.81	20.57	61.69	9.85	10.17	18.75	13.42
2660	9.67	20.57	67.69	10.84	11.16	36.75	14.65
2666	10.53	20.57	73.69	11.83	12.15	30.75	15.88
2670	11.38	20.57	79.69	12.82	13.14	24.75	17.11
2820	3.01	22.05	19.69	3.17	3.52	60.75	5.14
2826	3.93	22.05	25.69	4.25	4.59	54.75	6.45
2830	4.85	22.05	31.69	5.32	5.67	48.75	7.77
2836	6.79	25.96	37.69	6.39	6.74	42.75	9.08
2840	6.69	22.05	43.69	7.47	7.81	36.75	10.39
2846	7.61	22.05	49.69	8.54	8.88	30.75	11.70
2850	8.53	22.05	55.69	9.61	9.96	24.75	13.02
2856	9.45	22.05	61.69	10.68	11.03	18.75	14.33
2860	10.37	22.05	67.69	11.76	12.10	36.75	15.64
2866	11.28	22.05	73.69	12.83	13.18	30.75	16.95
2870	12.20	22.05	79.69	13.90	14.25	24.75	18.27
3020	3.56	26.05	19.69	3.67	4.07	60.75	5.79
3026	4.65	26.05	25.69	4.91	5.31	54.75	7.27
3030 <sup>c</sup>	6.59	29.96	31.69	6.15	6.55	48.75	8.75
3036	6.82	26.05	37.69	7.39	7.79	42.75	10.23
3040	7.90	26.05	43.69	8.63	9.03	36.75	11.71
3046	8.99	26.05	49.69	9.87	10.27	30.75	13.19
3050	10.07	26.05	55.69	11.10	11.50	24.75	14.67
3056	11.16	26.05	61.69	12.34	12.74	18.75	16.15
3060	12.24	26.05	67.69	13.58	13.98	36.75	17.63
3066	13.33	26.05	73.69	14.82	15.22	30.75	19.11
3070	14.41	26.05	79.69	16.06	16.46	24.75	20.59
3620	4.38	32.04	19.69	4.41	4.89	60.75	6.77
3626 <sup>c</sup>	5.72	32.04	25.69	5.90	6.38	54.75	8.50
3630 <sup>c</sup>	7.05	32.04	31.69	7.39	7.87	48.75	10.23
3636	8.39	32.04	37.69	8.88	9.36	42.75	11.96
3640	9.72	32.04	43.69	10.37	10.85	36.75	13.69
3646	11.06	32.04	49.69	11.85	12.34	30.75	15.42
3650	12.39	32.04	55.69	13.34	13.82	24.75	17.15
3656	13.73	32.04	61.69	14.83	15.31	18.75	18.88
3660	15.06	32.04	67.69	16.32	16.80	36.75	20.61
3666	16.40	32.04	73.69	17.81	18.29	30.75	22.34
3670	17.73	32.04	79.69	19.30	19.78	24.75	24.06

Shaded sizes meet or exceed egress opening requirements per 2006-2015 IBC (International Building Code) minimum dimensions of 20" clear opening width, 24" clear opening height, 5.7 sq. ft. clear opening and floor to bottom of clear opening not to exceed 44".

<sup>a</sup> Floor to bottom of clear opening dimensions are based on 82" jamb height of a 6-10 door.

All units over 66" RO height are based off 106" jamb height for floor to clear opening dimension

<sup>b</sup> Sq. Ft. Overall Unit Area is calculated on the jamb dimension.

<sup>c</sup> These windows meet or exceed emergency escape and rescue opening requirements if installed lower in the wall so the "Floor to Bottom of Clear Opening Height" does not exceed 44".

Clear openings are calculated with the sash open to approximately 82°, which may limit emergency escape and rescue compatibility. Check with your local building code official to verify compliance.

The requirements outlined above for the major US building codes can be modified by local jurisdictions. Therefore, it is important to check local codes in the areas in which the product is to be installed.

CASEMENT

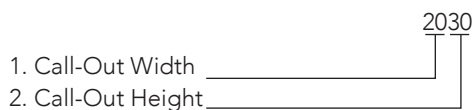
# PREMIUM SERIES AWNING WINDOWS

## Awning Windows Table of Contents

Awning Windows Quick Spec Guide .....	51	Awning Windows Cross Sections.....	54
Awning Windows Footnotes .....	52	Awning Windows Opening Specifications .....	55
Awning Windows Elevations .....	53		

### Size Codes:

The Weather Shield size code uses meaningful characters to denote standard sizes. For example:



### Product Information:

- Units show rectangular grille/SDL divisions.
- Awnings may not be considered emergency and rescue windows.

# PREMIUM SERIES AWNING WINDOWS (8211)

## Quick Spec Guide

SPECIFICATION	STANDARD FEATURES	OPTIONAL FEATURES
<b>EXTERIOR FINISH</b>	<ul style="list-style-type: none"> <li>White</li> <li>Cameo</li> <li>Tan</li> <li>Desert Tan</li> <li>Heritage Brown</li> <li>Adobe</li> <li>Craftsman Bronze</li> <li>Brick Red</li> <li>Hartford Green</li> <li>Gray Matters</li> <li>Obsidian</li> <li>Jet Black</li> </ul>	<ul style="list-style-type: none"> <li>4 Radiant Metallic</li> <li>45 Designer</li> <li>8 Anodized</li> <li>Custom Color</li> </ul>
<b>EXTERIOR TRIM</b>	<ul style="list-style-type: none"> <li>Integral Nail Fin</li> <li>Drip Cap</li> </ul>	<ul style="list-style-type: none"> <li>7/8" Brickmold</li> <li>1-11/16" Brickmold</li> <li>1-11/16" Flat Casing</li> <li>3-5/16" Flat Casing</li> <li>Historical Brickmold</li> <li>3/4" Sill Nosing</li> <li>1" Bull Nose</li> <li>1" Full Round Bull Nose</li> <li>2" Bull Nose</li> </ul>
<b>INTERIOR FINISH</b>	<ul style="list-style-type: none"> <li>Natural</li> </ul>	<ul style="list-style-type: none"> <li>Clear Satin</li> <li>Fruitwood</li> <li>Rich Mahogany</li> <li>Primed</li> <li>Golden Oak</li> <li>Chestnut</li> <li>Prefinished White &amp; Black</li> <li>Poly – 12 Standard / 45 Designer</li> </ul>
<b>INTERIOR SPECIES</b>	<ul style="list-style-type: none"> <li>Pine</li> </ul>	<ul style="list-style-type: none"> <li>Oak</li> <li>Maple</li> <li>Alder (Character)</li> <li>Cherry</li> <li>Mahogany</li> <li>Douglas Fir</li> </ul>
<b>SIZE</b>	<ul style="list-style-type: none"> <li>Width 1-6, 1-8, 2-0, 2-4, 2-6, 2-8, 3-0, 3-6, 4-0, 4-6, 5-0</li> <li>Height 1-6, 1-8, 2-0, 2-6, 3-0, 3-6, 4-0</li> </ul>	<ul style="list-style-type: none"> <li>Any jamb width: 17-1/2" to 59-1/2"</li> <li>Any jamb height: 17-1/2" to 59-1/2"</li> </ul>
<b>GLAZING</b>	<ul style="list-style-type: none"> <li>Low-E Insulating Glass</li> </ul>	<ul style="list-style-type: none"> <li>Clear IG</li> <li>Low-E 240</li> <li>Zo-e-shield 5</li> <li>Zo-e-shield Extreme</li> <li>Zo-e Shield 6 (laminated)</li> <li>Grey or Bronze Tint</li> <li>Obscure</li> <li>Tempered</li> </ul>
<b>GRILLES</b>		<ul style="list-style-type: none"> <li>GBG: 5/8" Flat or 11/16" Sculptured</li> <li>SDL: 5/8", 7/8", 1-1/8", 2"</li> <li>Wood Grille: 7/8"</li> </ul>
<b>HARDWARE</b>	<ul style="list-style-type: none"> <li>Nested Crank Handle</li> <li>Concealed Locking System</li> <li>Handle and Cover Ship Separately</li> </ul>	<ul style="list-style-type: none"> <li>Seacoast</li> <li>Handle and Cover Applied</li> </ul>
<b>HARDWARE COLOR</b>	<ul style="list-style-type: none"> <li>Tan</li> <li>Rustic Bronze</li> <li>White</li> <li>Black</li> </ul>	<ul style="list-style-type: none"> <li>Brushed Nickel</li> <li>Bright Brass</li> </ul>
<b>JAMB</b>	<ul style="list-style-type: none"> <li>4-9/16"</li> </ul>	<ul style="list-style-type: none"> <li>3-1/16 Min</li> <li>12" Max</li> </ul>
<b>SCREENS</b>	<ul style="list-style-type: none"> <li>No-See-um Mesh</li> </ul>	<ul style="list-style-type: none"> <li>Aluminum Non-Glare</li> <li>Retractable Screen</li> <li>Wood Hinged Screen</li> </ul>
<b>SCREEN FRAME COLOR</b>	<ul style="list-style-type: none"> <li>Tan</li> <li>Craftsman Bronze</li> <li>White</li> <li>Jet Black</li> </ul>	<ul style="list-style-type: none"> <li>Champaign Anodized</li> <li>Bright Brass</li> <li>Wood Wrapped</li> </ul>

AWNING

# PREMIUM SERIES AWNING WINDOWS (8211)

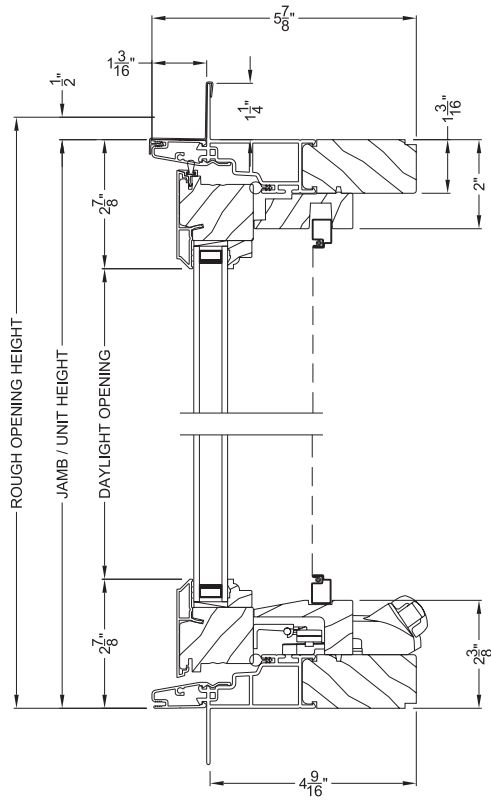
## Elevations

Jamb Dimension	1'-5 1/2"	1'-7 1/2"	1'-11 1/2"	2'-3 1/2"	2'-5 1/2"	2'-7 1/2"	2'-11 1/2"	3'-5 1/2"	3'-11 1/2"	4'-5 1/2"	4'-11 1/2"
Rough Opening	1'-6"	1'-8"	2'-0"	2'-4"	2'-6"	2'-8"	3'-0"	3'-6"	4'-0"	4'-6"	5'-0"
Metric R.O. (mm)	457	508	610	711	762	813	914	1067	1219	1372	1524
Glass Size	12 3/4"	14 3/4"	18 3/4"	22 3/4"	24 3/4"	26 3/4"	30 3/4"	36 3/4"	42 3/4"	48 3/4"	54 3/4"
3'-11 1/2" 4'-0" 1219 42 3/4"	1640	1840	2040	2440	2640	2840	3040	3640	4040	4640	5040
3'-5 1/2" 3'-6" 1067 36 3/4"	1636	1836	2036	2436	2636	2836	3036	3636	4036	4636	5036
2'-11 1/2" 3'-0" 914 30 3/4"	1630	1830	2030	2430	2630	2830	3030	3630	4030	4630	5030
2'-5 1/2" 2'-6" 762 24 3/4"	1626	1826	2026	2426	2626	2826	3026	3626	4026	4626	5026
2'-0" 2'-0" 610 18 3/4"	1620	1820	2020	2420	2620	2820	3020	3620	4020	4620	5020
1'-11 1/2" 1'-7 1/2" 508 14 3/4"	1618	1818	2018	2418	2618	2818	3018	3618	4018	4618	5018
1'-6" 1'-6" 457 12 3/4"	1616	1816	2016	2416	2616	2816	3016	3616	4016	4616	5016

 2 - Wide Width Dimensions				 3 - Wide Width Dimensions			
Base Code	Jamb Dimension (Frame Size)	Rough Opening	Metric R.O. (mm)	Base Code	Jamb Dimension (Frame Size)	Rough Opening	Metric R.O. (mm)
AW2-16	2'-11 1/16"	2'-11 9/16"	903	AW3-16	4'-4 5/8"	4'-5 1/8"	1235
AW2-18	3'-3 1/16"	3'-3 9/16"	1005	AW3-18	4'-10 5/8"	4'-11 1/8"	1502
AW2-20	3'-11 1/16"	3'-11 9/16"	1208	AW3-20	5'-10 5/8"	5'-11 1/8"	1807
AW2-24	4'-7 1/16"	4'-7 9/16"	1411	AW3-24	6'-10 5/8"	6'-11 1/8"	2111
AW2-26	4'-11 1/16"	4'-11 9/16"	1513	AW3-26	7'-4 5/8"	7'-5 1/8"	2264
AW2-28	5'-3 1/16"	5'-3 9/16"	1615	AW3-28	7'-10 5/8"	7'-11 1/8"	2416
AW2-30	5'-11 1/16"	5'-11 9/16"	1818	AW3-30	8'-10 5/8"	8'-11 1/8"	2721
AW2-36	6'-11 1/16"	6'-11 9/16"	2123	 4 - Wide Width Dimensions			
AW2-40	7'-11 1/16"	7'-11 9/16"	2427				
AW2-46	8'-11 1/16"	8'-11 9/16"	2732				
AW2-50	9'-11 1/16"	9'-11 9/16"	3037				
Base Code	Jamb Dimension (Frame Size)	Rough Opening	Metric R.O. (mm)				
AW4-16	5'-10 3/16"	5'-10 11/16"	1796				
AW4-18	6'-6 3/16"	6'-6 11/16"	1999				
AW4-20	7'-10 3/16"	7'-10 11/16"	2405				
AW4-24	9'-2 3/16"	9'-2 11/16"	2812				
AW4-26	9'-10 3/16"	9'-10 11/16"	3015				

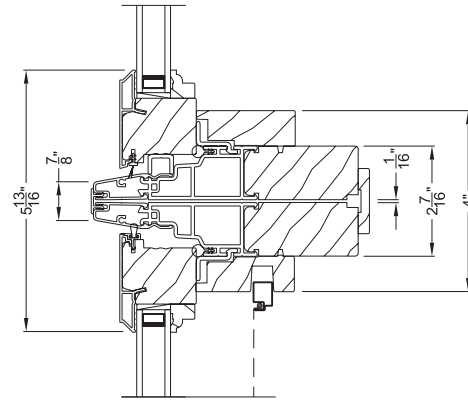
# PREMIUM SERIES AWNING WINDOWS (8211)

## Cross Sections



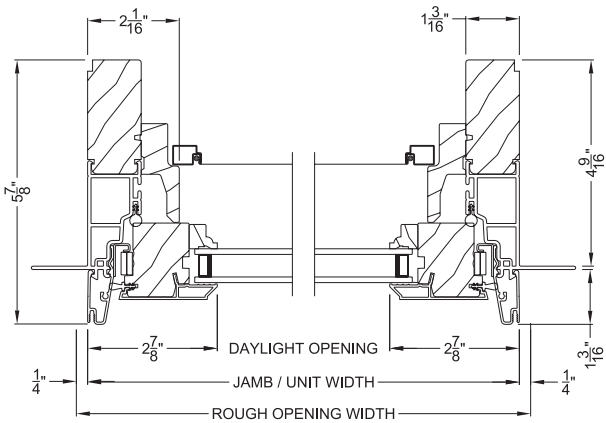
**PREMIUM AWNING WINDOW (8211)**

Vertical Section



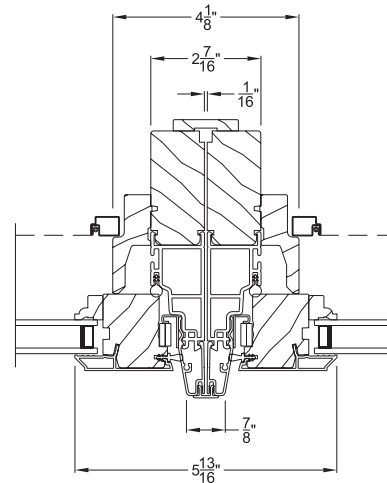
**PREMIUM AWNING WINDOW**

Horizontal Stack Section - Transom Stack over Awning



**PREMIUM AWNING WINDOW (8211)**

Horizontal Section



**PREMIUM AWNING WINDOW**

Vertical Mull Section

Note: All dimensions are approximate. Weather Shield reserves the right to change specifications without notice.

AWNING



# PREMIUM SERIES AWNING WINDOWS (8211)

## Opening Specifications

Call Size	Vent		Sq. Ft. Vent	Sq. Ft. Daylight Opening	Sq. Ft. Overall Unit Area <sup>b</sup>
	Width	Height			
1616	13.44	9.59	0.89	0.96	2.13
1618	13.44	11.59	1.08	1.12	2.37
1620	13.44	14.59	1.36	1.45	2.86
1626	13.44	20.59	1.92	1.94	3.59
1630	13.44	24.59	2.29	2.43	4.31
1636	13.44	30.59	2.85	2.92	5.04
1640	13.44	34.59	3.23	3.41	5.77
1816	15.44	9.59	1.03	1.12	2.37
1818	15.44	11.59	1.24	1.31	2.64
1820	15.44	14.59	1.56	1.69	3.18
1826	15.44	20.59	2.21	2.27	3.99
1830	15.44	24.59	2.64	2.84	4.81
1836	15.44	30.59	3.28	3.41	5.62
1840	15.44	34.59	3.71	3.99	6.43
2016	19.44	9.59	1.29	1.45	2.86
2018	19.44	11.59	1.56	1.69	3.18
2020	19.44	14.59	1.97	2.19	3.84
2026	19.44	20.59	2.78	2.93	4.81
2030	19.44	24.59	3.32	3.67	5.79
2036	19.44	30.59	4.13	4.41	6.77
2040	19.44	34.59	4.67	5.15	7.75
2416	23.44	9.59	1.56	1.77	3.34
2418	23.44	11.59	1.89	2.08	3.72
2420	23.44	14.59	2.37	2.68	4.49
2426	23.44	20.59	3.35	3.59	5.63
2430	23.44	24.59	4.00	4.49	6.78
2436	23.44	30.59	4.98	5.40	7.93
2440	23.44	34.59	5.63	6.31	9.07
2616	25.44	9.59	1.69	1.94	3.59
2618	25.44	11.59	2.05	2.27	3.99
2620	25.44	14.59	2.58	2.93	4.81
2626	25.44	20.59	3.64	3.92	6.04
2630	25.44	24.59	4.34	4.91	7.27
2636	25.44	30.59	5.40	5.90	8.50
2640	25.44	34.59	6.11	6.89	9.73
2816	27.44	9.59	1.83	2.10	3.83
2818	27.44	11.59	2.21	2.46	4.27
2820	27.44	14.59	2.78	3.17	5.14
2826	27.44	20.59	3.92	4.25	6.45
2830	27.44	24.59	4.68	5.32	7.77
2836	27.44	30.59	5.83	6.39	9.08
2840	27.44	34.59	6.59	7.47	10.39
3016	31.44	9.59	2.09	2.43	4.31
3018	31.44	11.59	2.53	2.84	4.81
3020	31.44	14.59	3.18	3.67	5.79
3026	31.44	20.59	4.49	4.91	7.27
3030	31.44	24.59	5.37	6.15	8.75
3036	31.44	30.59	6.68	7.39	10.23
3040	31.44	34.59	7.55	8.63	11.71
3616	37.44	9.59	2.49	2.92	5.04
3618	37.44	11.59	3.01	3.41	5.62
3620	37.44	14.59	3.79	4.41	6.77
3626	37.44	20.59	5.35	5.90	8.50
3630	37.44	24.59	6.39	7.39	10.23
3636	37.44	30.59	7.95	8.88	11.96
3640	37.44	34.59	8.99	10.37	13.69

Call Size	Vent		Sq. Ft. Vent	Sq. Ft. Daylight Opening	Sq. Ft. Overall Unit Area <sup>b</sup>
	Width	Height			
4016	43.44	9.59	2.89	3.41	5.77
4018	43.44	11.59	3.49	3.99	6.43
4020	43.44	14.59	4.40	5.15	7.75
4026	43.44	20.59	6.21	6.89	9.73
4030	43.44	24.59	7.42	8.63	11.71
4036	43.44	30.59	9.23	10.37	13.69
4040	43.44	34.59	10.43	12.10	15.67
4616	49.44	9.59	3.29	3.90	6.50
4618	49.44	11.59	3.98	4.56	7.24
4620	49.44	14.59	5.01	5.89	8.73
4626	49.44	20.59	7.07	7.88	10.96
4630	49.44	24.59	8.44	9.87	13.19
4636	49.44	30.59	10.50	11.85	15.42
4640	49.44	34.59	11.87	13.84	17.65
5016	55.44	9.59	3.69	4.39	7.23
5018	55.44	11.59	4.46	5.13	8.06
5020	55.44	14.59	5.62	6.63	9.71
5026	55.44	20.59	7.93	8.87	12.19
5030	55.44	24.59	9.46	11.10	14.67
5036	55.44	30.59	11.77	13.34	17.15
5040	55.44	34.59	13.31	15.58	19.63

<sup>b</sup> Sq. Ft. Overall Unit Area is calculated on the jamb dimension.

# PREMIUM SERIES DIRECT-SET SPECIAL SHAPE WINDOWS

---

## Special Shape Windows Table of Contents

Special Shape Windows Quick Spec Guide.....	57	Special Shape Windows Cross Sections.....	59
Special Shape Windows Elevations.....	58		

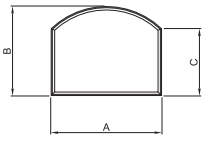
# PREMIUM SERIES DIRECT-SET SPECIAL SHAPE WINDOWS (8306)

## Quick Spec Guide

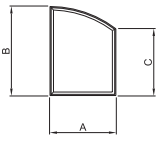
SPECIFICATION	STANDARD FEATURES	OPTIONAL FEATURES
<b>EXTERIOR FINISH</b>	<ul style="list-style-type: none"> <li>• White</li> <li>• Cameo</li> <li>• Tan</li> <li>• Desert Tan</li> <li>• Heritage Brown</li> <li>• Adobe</li> </ul>	<ul style="list-style-type: none"> <li>• Craftsman Bronze</li> <li>• Brick Red</li> <li>• Hartford Green</li> <li>• Gray Matters</li> <li>• Obsidian</li> <li>• Jet Black</li> </ul>
<b>EXTERIOR TRIM</b>	<ul style="list-style-type: none"> <li>• Integral Nail Fin</li> </ul>	<ul style="list-style-type: none"> <li>• 4 Radiant Metallic</li> <li>• 45 Designer</li> <li>• 8 Anodized</li> <li>• Custom Color</li> </ul>
<b>EXTERIOR TRIM</b>		<ul style="list-style-type: none"> <li>• 7/8" Brickmold</li> <li>• 1-11/16" Brickmold</li> <li>• 1-11/16" Flat Casing</li> <li>• 3-5/16" Flat Casing</li> <li>• Historical Brickmold</li> <li>• 3/4" Sill Nosing</li> <li>• 1" Bull Nose</li> <li>• 1" Full Round Bull Nose</li> <li>• 2" Bull Nose</li> </ul>
<b>INTERIOR FINISH</b>	<ul style="list-style-type: none"> <li>• Natural</li> </ul>	<ul style="list-style-type: none"> <li>• Clear Satin</li> <li>• Fruitwood</li> <li>• Rich Mahogany</li> <li>• Primed</li> <li>• Golden Oak</li> <li>• Chestnut</li> <li>• Prefinished White &amp; Black</li> <li>• Poly – 12 Standard / 45 Designer</li> </ul>
<b>INTERIOR SPECIES</b>	<ul style="list-style-type: none"> <li>• Pine</li> </ul>	<ul style="list-style-type: none"> <li>• Oak</li> <li>• Maple</li> <li>• Alder (Character)</li> <li>• Cherry</li> <li>• Mahogany</li> <li>• Douglas Fir</li> </ul>
<b>SHAPE/SIZE</b>	<p>Shapes available include, Diamond, Eyebrow, Eyebrow w/ legs, Flat Top Pentagon, Flat Top Trapezoid, Full Circle, Gothic, Gothic w/ legs, Half Circle, Half Circle w/ legs, Hexagon, Octagon, Parallelogram, Pentagon, Quarter Circle, Quarter Circle w/ legs, Quarter Eyebrow, Quarter Eyebrow w/ legs, Rectangle, Right Triangle, Trapezoid, Triangle</p>	<ul style="list-style-type: none"> <li>• Custom jamb sizes from 7-13/16" to 120"</li> <li>• Minimum Radius is 12"</li> <li>• Minimum Corner Angle is 18 degrees:</li> </ul>
<b>GLAZING</b>	<ul style="list-style-type: none"> <li>• Low-E Insulating Glass</li> </ul>	<ul style="list-style-type: none"> <li>• Clear IG</li> <li>• Low-E 240</li> <li>• Zo-e-shield 5</li> <li>• Zo-e-shield Extreme</li> <li>• Zo-e Shield 6 (laminated)</li> <li>• Grey or Bronze Tint</li> <li>• Obscure</li> <li>• Tempered</li> </ul>
<b>GRILLES</b>		<ul style="list-style-type: none"> <li>• GBG: 5/8" Flat or 11/16" Sculptured</li> <li>• SDL: 5/8", 7/8", 1-1/8", 2"</li> <li>• Wood Grille: 7/8"</li> </ul>
<b>SASH</b>		<ul style="list-style-type: none"> <li>• Casement Simulated Sash</li> <li>• Double Hung Simulated Sash</li> </ul>
<b>JAMB</b>	<ul style="list-style-type: none"> <li>• 4-9/16"</li> </ul>	<ul style="list-style-type: none"> <li>• 3-1/16 Min</li> <li>• 12" Max</li> </ul>

# PREMIUM SERIES DIRECT-SET SPECIAL SHAPE WINDOWS (8306)

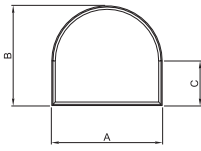
## Elevations



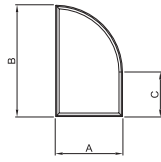
Eyebrow  
with Extended Legs



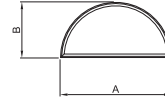
Quarter Eyebrow  
with Extended Legs



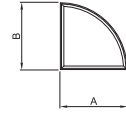
Half Circle  
with Extended Legs



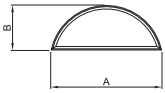
Quarter Circle  
with Extended Legs



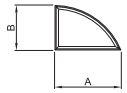
Half Circle



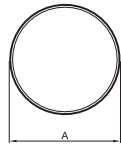
Quarter Circle



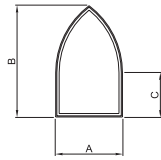
Archtop



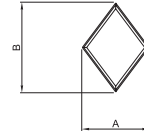
Quarter Archtop



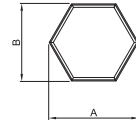
Full Circle



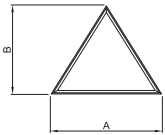
Gothic with Extended Legs



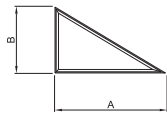
Diamond



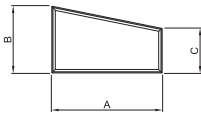
Hexagon



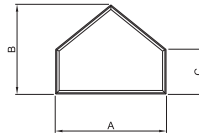
Isosceles Triangle



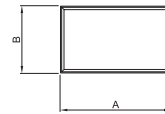
Right Triangle



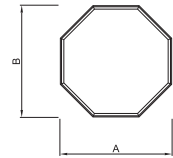
Trapezoid



Pentagon



Rectangle



Octagon

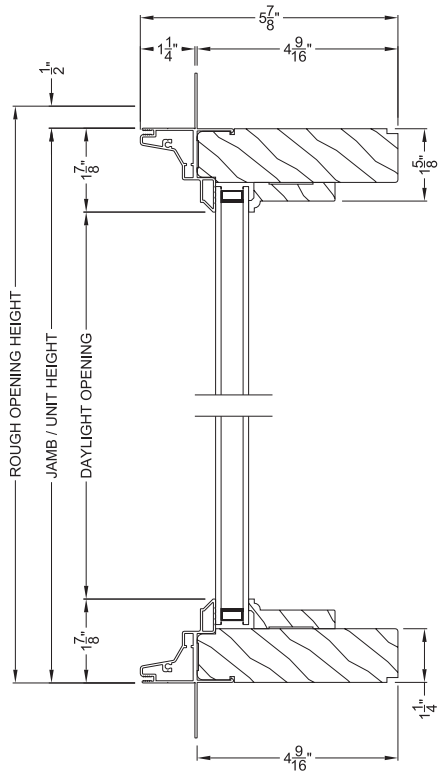
Direct-Set Special Shape (8306)

A - Rough Opening Width  
B - Rough Opening Height  
C - Rough Opening Leg

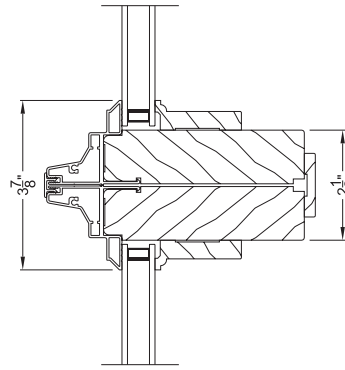
For availability of sizes and specialty shapes not shown contact Weather Shield

# PREMIUM SERIES DIRECT-SET SPECIAL SHAPE WINDOWS (8306)

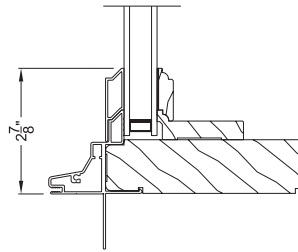
## Cross Sections



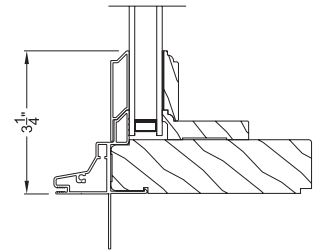
**PREMIUM DIRECT-SET SPECIAL SHAPE (8306)**  
Vertical Section



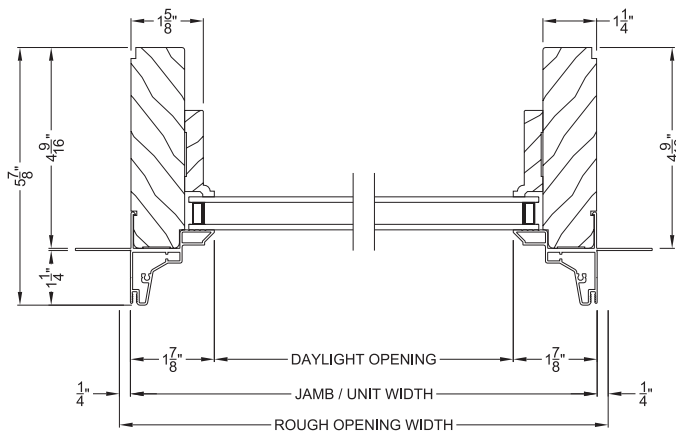
**PREMIUM DIRECT-SET SPECIAL SHAPE**  
Stack Section



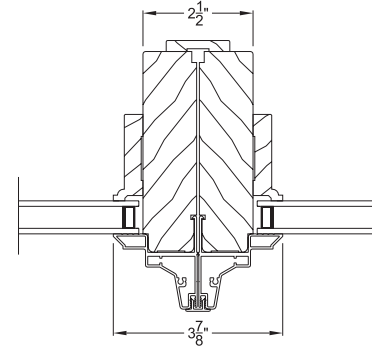
**PREMIUM DIRECT-SET (8306)**  
Vertical Section - Simulated Sash (Cas)



**PREMIUM DIRECT-SET (8306)**  
Vertical Section - Simulated Sash (DH)



**PREMIUM DIRECT-SET SPECIAL SHAPE (8306)**  
Horizontal Section



**PREMIUM DIRECT-SET SPECIAL SHAPE**  
Horizontal Mullion Section

Note: All dimensions are approximate. Weather Shield reserves the right to change specifications without notice.

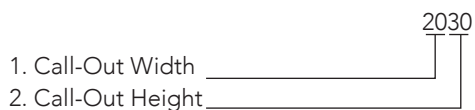
# PREMIUM SERIES SLIDER WINDOWS

## Slider Windows Table of Contents

Slider Windows Footnotes.....	60	Slider Windows Cross Sections.....	63
Slider Windows Quick Spec Guide.....	61	Slider Windows Opening Specifications.....	64
Slider Windows Elevations.....	62		

### Size Codes:

The Weather Shield size code uses meaningful characters to denote standard sizes. For example:



### Product Information:

- Units show rectangular grille/SDL divisions.
- Double slider windows are XO or OX operating as viewed from the exterior. Triple slider windows are XOX.  
X=Active Sash, O=Inactive Sash

### Egress Information:

Units in gray meet or exceed egress opening requirements per 2015 IBC (International Building Code) minimum dimensions of 20" [508mm] clear opening width, 24" [610mm] clear opening height, 5.7 sq. ft. [5295cm<sup>2</sup>] clear opening and floor to bottom of clear opening not to exceed 44" [1118mm] in height. Verify local or state egress opening sizes with your local building inspector. Floor to bottom of clear opening dimensions are based on 82" [2083mm] jamb height of Weather Shield French doors and center hinged French doors.



# PREMIUM SERIES SLIDER WINDOWS (8401)

## Quick Spec Guide

SPECIFICATION	STANDARD FEATURES	OPTIONAL FEATURES
<b>EXTERIOR FINISH</b>	<ul style="list-style-type: none"> <li>White</li> <li>Cameo</li> <li>Tan</li> <li>Desert Tan</li> <li>Heritage Brown</li> <li>Adobe</li> <li>Craftsman Bronze</li> <li>Brick Red</li> <li>Hartford Green</li> <li>Gray Matters</li> <li>Obsidian</li> <li>Jet Black</li> </ul>	<ul style="list-style-type: none"> <li>4 Radiant Metallic</li> <li>45 Designer</li> <li>8 Anodized</li> <li>Custom Color</li> </ul>
<b>EXTERIOR TRIM</b>	<ul style="list-style-type: none"> <li>Integral Nail Fin</li> </ul>	<ul style="list-style-type: none"> <li>7/8" Brickmold</li> <li>1-11/16" Brickmold</li> <li>1-11/16" Flat Casing</li> <li>3-5/16" Flat Casing</li> <li>Historical Brickmold</li> <li>3/4" Sill Nosing</li> <li>1" Bull Nose</li> <li>1" Full Round Bull Nose</li> <li>2" Bull Nose</li> </ul>
<b>INTERIOR FINISH</b>	<ul style="list-style-type: none"> <li>Natural</li> </ul>	<ul style="list-style-type: none"> <li>Clear Satin</li> <li>Fruitwood</li> <li>Rich Mahogany</li> <li>Primed</li> <li>Golden Oak</li> <li>Chestnut</li> <li>Prefinished White &amp; Black</li> <li>Poly – 12 Standard / 45 Designer</li> </ul>
<b>INTERIOR SPECIES</b>	<ul style="list-style-type: none"> <li>Pine</li> </ul>	<ul style="list-style-type: none"> <li>Oak</li> <li>Maple</li> <li>Alder (Character)</li> <li>Cherry</li> <li>Mahogany</li> <li>Douglas Fir</li> </ul>
<b>SIZE</b>	<ul style="list-style-type: none"> <li>Width 3-0, 4-0, 5-0, 6-0</li> <li>Height 2-0, 2-6, 3-0, 3-6, 4-0, 4-6, 5-0, 5-6, 6-0</li> </ul>	<ul style="list-style-type: none"> <li>Any jamb width: 35-1/2" to 71-1/2"</li> <li>Any jamb height: 23-1/2" to 71-1/2"</li> </ul>
<b>GLAZING</b>	<ul style="list-style-type: none"> <li>Low-E Insulating Glass</li> </ul>	<ul style="list-style-type: none"> <li>Clear IG</li> <li>Low-E 240</li> <li>Zo-e-shield 5</li> <li>Zo-e-shield Extreme</li> <li>Zo-e Shield 6 (laminated)</li> <li>Grey or Bronze Tint</li> <li>Obscure</li> <li>Tempered</li> </ul>
<b>GRILLES</b>		<ul style="list-style-type: none"> <li>GBG: 5/8" Flat or 11/16" Sculptured</li> <li>SDL: 5/8", 7/8", 1-1/8", 2"</li> <li>Wood Grille: 7/8"</li> </ul>
<b>HARDWARE</b>	<ul style="list-style-type: none"> <li>Sash Lock</li> <li>Integral Plow Sash Pull</li> </ul>	<ul style="list-style-type: none"> <li>WOCD</li> <li>No Sash Pull</li> </ul>
<b>HARDWARE COLOR</b>	<ul style="list-style-type: none"> <li>Tan</li> <li>Rustic Bronze</li> <li>White</li> <li>Black</li> </ul>	<ul style="list-style-type: none"> <li>Brushed Nickel</li> <li>Bright Brass</li> </ul>
<b>JAMB</b>	<ul style="list-style-type: none"> <li>4-9/16"</li> </ul>	<ul style="list-style-type: none"> <li>4-9/16 Min</li> <li>12" Max</li> </ul>
<b>SCREENS</b>	<ul style="list-style-type: none"> <li>No-See-um Mesh</li> <li>Screen Shipped Loose</li> </ul>	<ul style="list-style-type: none"> <li>Aluminum Non-Glare</li> <li>Screen Factory Applied</li> </ul>
<b>SCREEN FRAME COLOR</b>	<ul style="list-style-type: none"> <li>Color matches exterior unit color</li> </ul>	

# PREMIUM SERIES DOUBLE & TRIPLE SLIDER WINDOWS (8401)

## Elevations

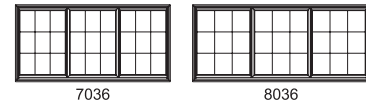
### Double Slider Windows

Jamb Dimension	2'-11 1/2"	3'-11 1/2"	4'-11 1/2"	5'-11 1/2"
Rough Opening	3'-0"	4'-0"	5'-0"	6'-0"
Metric R.O. (mm)	914	1219	1524	1829
Glass Size	14 7/8"	20 7/8"	26 7/8"	32 7/8"
5'-11 1/2"	3'-5 1/2"	3'-11 1/2"	4'-5 1/2"	4'-11 1/2"
6'-0"	3'-6"	4'-0"	4'-6"	5'-0"
1829	1067	1219	1372	1524
65 5/16"	35 5/16"	41 5/16"	47 5/16"	53 5/16"
5'-5 1/2"	3'-5 1/2"	3'-11 1/2"	4'-5 1/2"	4'-11 1/2"
5'-6"	3'-6"	4'-0"	4'-6"	5'-0"
1676	1067	1219	1372	1524
59 5/16"	35 5/16"	41 5/16"	47 5/16"	53 5/16"
5'-5 1/2"	3'-5 1/2"	3'-11 1/2"	4'-5 1/2"	4'-11 1/2"
5'-6"	3'-6"	4'-0"	4'-6"	5'-0"
1676	1067	1219	1372	1524
59 5/16"	35 5/16"	41 5/16"	47 5/16"	53 5/16"
5'-11 1/2"	3'-5 1/2"	3'-11 1/2"	4'-5 1/2"	4'-11 1/2"
6'-0"	3'-6"	4'-0"	4'-6"	5'-0"
1829	1067	1219	1372	1524
65 5/16"	35 5/16"	41 5/16"	47 5/16"	53 5/16"
5'-5 1/2"	3'-5 1/2"	3'-11 1/2"	4'-5 1/2"	4'-11 1/2"
5'-6"	3'-6"	4'-0"	4'-6"	5'-0"
1676	1067	1219	1372	1524
59 5/16"	35 5/16"	41 5/16"	47 5/16"	53 5/16"
5'-11 1/2"	3'-5 1/2"	3'-11 1/2"	4'-5 1/2"	4'-11 1/2"
6'-0"	3'-6"	4'-0"	4'-6"	5'-0"
1829	1067	1219	1372	1524
65 5/16"	35 5/16"	41 5/16"	47 5/16"	53 5/16"
3020	4020	5020	6020	
3026	4026	5026	6026	
3030	4030	5030	6030	
3036	4036	5036	6036	
3040	4040	5040	6040	
3046	4046	5046	6046	
3050	4050	5050	6050	
3056	4056	5056	6056	
3060	4060	5060	6060	

### Triple Slider Windows

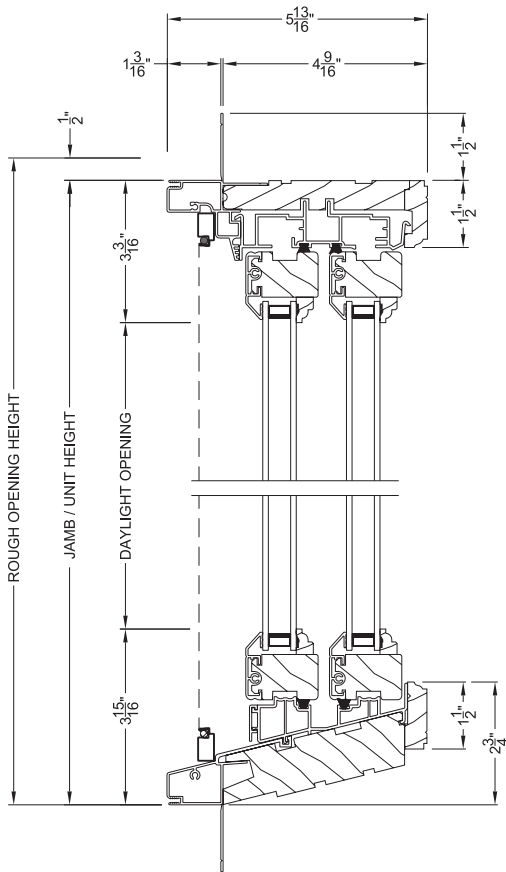
Jamb Dimension	6'-11 1/2"	7'-11 1/2"
Rough Opening	7'-0"	8'-0"
Metric R.O. (mm)	2134	2438
Glass Size	18 31/32" - 37 31/32"	21 31/32" - 43 31/32"
5'-11 1/2"	3'-5 1/2"	3'-11 1/2"
6'-0"	3'-6"	4'-0"
1829	1067	1219
65 5/16"	35 5/16"	41 5/16"
5'-5 1/2"	3'-5 1/2"	3'-11 1/2"
5'-6"	3'-6"	4'-0"
1676	1067	1219
59 5/16"	35 5/16"	41 5/16"
5'-11 1/2"	3'-5 1/2"	3'-11 1/2"
6'-0"	3'-6"	4'-0"
1829	1067	1219
65 5/16"	35 5/16"	41 5/16"
7036	8036	
7040	8040	
7046	8046	
7050	8050	
7056	8056	
7060	8060	

Optional Triple Slider 1/3-1/3-1/3 Configurations  
Available for these widths, and all heights.

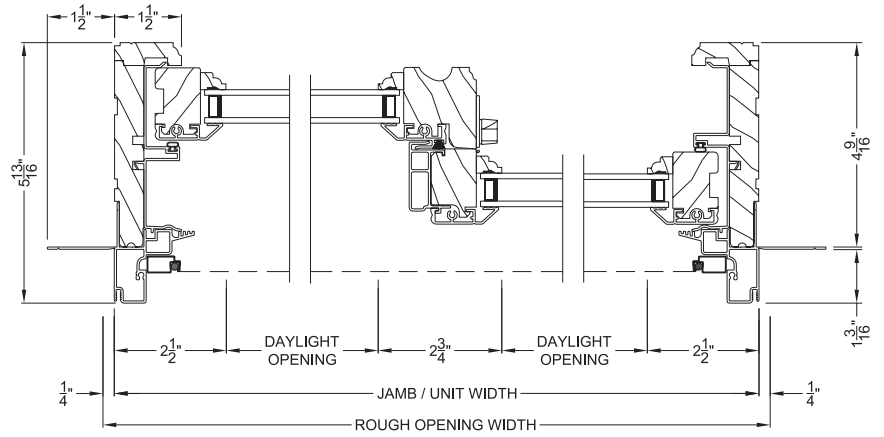


# PREMIUM SERIES SLIDER WINDOWS (8401)

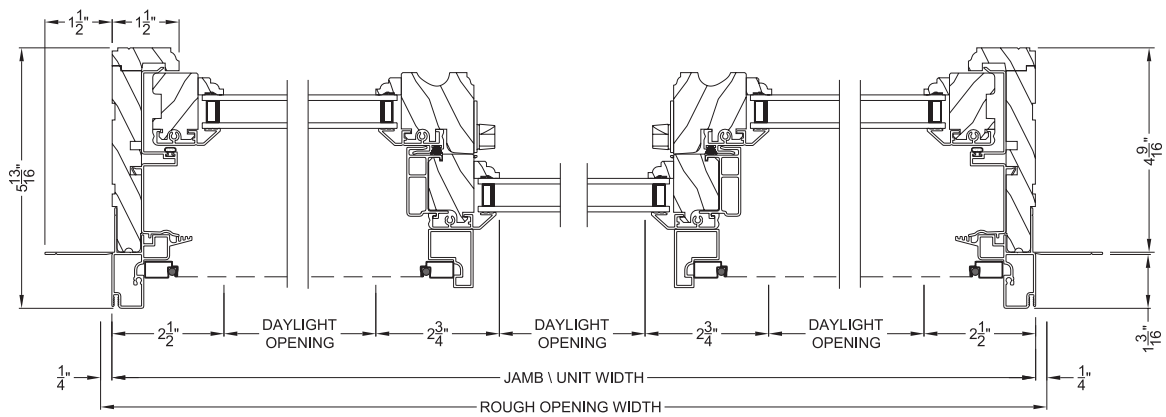
## Cross Sections



**PREMIUM SLIDER WINDOW (8401)**  
Vertical Section



**PREMIUM SLIDER WINDOW (8401)**  
Horizontal Section - Double Slider



**PREMIUM SLIDER WINDOW (8401)**  
Horizontal Section - Triple Slider

Note: All dimensions are approximate. Weather Shield reserves the right to change specifications without notice.

# PREMIUM SERIES SLIDER WINDOWS (8401)

## Opening Specifications

Call Size	Sq. Ft. Clear Opening	Clear Opening		Sq. Ft. Daylight Opening	Sq. Ft. Vent	Floor to Bottom of Clear Opening <sup>a</sup>	Sq. Ft. Overall Unit Area <sup>b</sup>
		Width	Height				
3020	1.85	14.01	18.99	3.16	1.85	61.22	5.79
3026	2.43	14.01	24.99	4.31	2.43	55.22	7.27
3030	3.01	14.01	30.99	5.47	3.01	49.22	8.75
3036	3.60	14.01	36.99	6.62	3.60	43.22	10.23
3040	4.18	14.01	42.99	7.78	4.18	37.22	11.71
3046	4.57	14.01	46.99	8.55	4.57	33.22	12.70
3050	5.35	14.01	54.99	10.09	5.35	25.22	14.67
3056	5.93	14.01	60.99	11.25	5.93	19.22	16.15
3060	6.52	14.01	66.99	12.41	6.52	37.22	17.63
4020	2.64	20.01	18.99	4.52	2.64	61.22	7.75
4026	3.47	20.01	24.99	6.18	3.47	55.22	9.73
4030	4.30	20.01	30.99	7.83	4.30	49.22	11.71
4036	5.14	20.01	36.99	9.49	5.14	43.22	13.69
4040	5.97	20.01	42.99	11.15	5.97	37.22	15.67
4046	6.53	20.01	46.99	12.25	6.53	33.22	16.99
4050	7.64	20.01	54.99	14.46	7.64	25.22	19.63
4056	8.47	20.01	60.99	16.11	8.47	19.22	21.61
4060	9.31	20.01	66.99	17.77	9.31	37.22	23.59
5020	3.43	26.01	18.99	5.88	3.43	61.22	9.71
5026	4.51	26.01	24.99	8.04	4.51	55.22	12.19
5030	5.60	26.01	30.99	10.20	5.60	49.22	14.67
5036	6.68	26.01	36.99	12.35	6.68	43.22	17.15
5040	7.76	26.01	42.99	14.51	7.76	37.22	19.63
5046	8.49	26.01	46.99	15.95	8.49	33.22	21.28
5050	9.93	26.01	54.99	18.82	9.93	25.22	24.59
5056	11.01	26.01	60.99	20.98	11.01	19.22	27.06
5050	12.10	26.01	66.99	23.13	12.10	37.22	29.54
6020	4.22	32.01	18.99	7.25	4.22	61.22	11.67
6026	5.55	32.01	24.99	9.91	5.55	55.22	14.65
6030 <sup>c</sup>	6.89	32.01	30.99	12.56	6.89	49.22	17.63
6036	8.22	32.01	36.99	15.22	8.22	43.22	20.61
6040	9.55	32.01	42.99	17.87	9.55	37.22	23.59
6046	10.44	32.01	46.99	19.65	10.44	33.22	25.57
6050	12.22	32.01	54.99	23.19	12.22	25.22	29.54
6056	13.55	32.01	60.99	25.84	13.55	19.22	32.52
6060	14.89	32.01	66.99	28.50	14.89	37.22	35.50
7036	5.47	21.31	36.99	17.41	5.47	43.22	24.06
7040	6.36	21.31	42.99	20.45	6.36	37.22	27.54
7046	6.95	21.31	46.99	22.48	6.95	33.22	29.86
7050	8.14	21.31	54.99	26.53	8.14	25.22	34.50
7056	9.02	21.31	60.99	29.57	9.02	19.22	37.98
7060	9.91	21.31	66.99	32.61	9.91	13.22	41.46
8036	6.50	25.31	36.99	20.28	6.50	43.22	27.52
8040	7.55	25.31	42.99	23.81	7.55	37.22	31.50
8046	8.26	25.31	46.99	26.17	8.26	33.22	34.15
8050	9.66	25.31	54.99	30.89	9.66	25.22	39.46
8056	10.72	25.31	60.99	34.43	10.72	19.22	43.44
8060	11.77	25.31	66.99	37.97	11.77	37.22	47.42
7036	4.98	19.40	36.99	17.40	4.98	43.22	24.06
7040	5.79	19.40	42.99	20.44	5.79	37.22	27.54
7046	6.33	19.40	46.99	22.47	6.33	33.22	29.86
7050	7.41	19.40	54.99	26.52	7.41	25.22	34.50
7056	8.22	19.40	60.99	29.56	8.22	19.22	37.98
7060	9.02	19.40	66.99	32.59	9.02	13.22	41.46
8036	5.75	22.40	36.99	20.27	5.75	43.22	27.52
8040	6.69	22.40	42.99	23.81	6.69	37.22	31.50
8046	7.31	22.40	46.99	26.17	7.31	33.22	34.15
8050	8.55	22.40	54.99	30.88	8.55	25.22	39.46
8056	9.49	22.40	60.99	34.42	9.49	19.22	43.44
8060	10.42	22.40	66.99	37.96	10.42	37.22	47.42

Shaded sizes meet or exceed egress opening requirements per 2015 IBC (International Building Code) minimum dimensions of 20" clear opening width, 24" clear opening height, 5.7 sq. ft. clear opening and floor to bottom of clear opening not to exceed 44".

<sup>a</sup> Floor to bottom of clear opening dimensions are based on 82" jamb height of a 6-10 door.

All units over 66" RO height are based off 106" jamb height for floor to clear opening dimension.

<sup>b</sup> Sq. Ft. Overall Unit Area is calculated on the jamb dimension.

<sup>c</sup> These windows meet or exceed emergency escape and rescue opening requirements if installed lower in the wall so the "Floor to Bottom of Clear Opening Height" does not exceed 44".

The requirements outlined above for the major US building codes can be modified by local jurisdictions. Therefore, it is important to check local codes in the areas in which the product is to be installed.

Triple Slider Sizes (Equal End Vent)

Triple Slider Sizes (1/4-1/2-1/4)

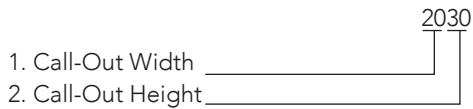
# PREMIUM SERIES HINGED PATIO DOORS

## Hinged Patio Doors Table of Contents

Hinged Patio Door Footnotes.....	65	Hinged Patio Door Cross Sections.....	72
Hinged Patio Door Quick Spec Guide.....	66	Hinged Patio Door Opening Specifications.....	84
Hinged Patio Door Elevations.....	67		

### Size Codes:

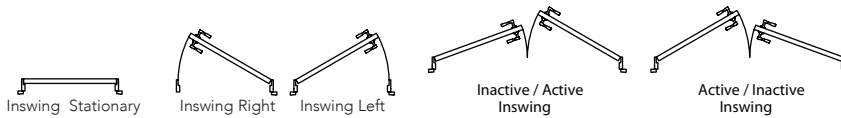
The Weather Shield size code uses meaningful characters to denote standard sizes. For example:



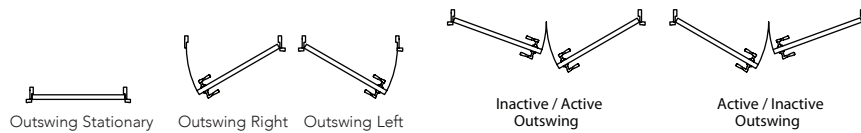
### Product Information:

- Units show rectangular grille/SDL divisions.

### Side Hinged Patio Door Inswing Hinge Codes



### Side Hinged Patio Door Outswing Hinge Codes



# PREMIUM SERIES HINGED PATIO DOORS (8510/8610/8511/8611)

## Quick Spec Guide

SPECIFICATION	STANDARD FEATURES	OPTIONAL FEATURES
<b>EXTERIOR FINISH</b>	<ul style="list-style-type: none"> <li>White</li> <li>Cameo</li> <li>Tan</li> <li>Desert Tan</li> <li>Heritage Brown</li> <li>Adobe</li> <li>Craftsman Bronze</li> <li>Brick Red</li> <li>Hartford Green</li> <li>Gray Matters</li> <li>Obsidian</li> <li>Jet Black</li> </ul>	<ul style="list-style-type: none"> <li>4 Radiant Metallic</li> <li>45 Designer</li> <li>8 Anodized</li> <li>Custom Color</li> </ul>
<b>EXTERIOR TRIM</b>	<ul style="list-style-type: none"> <li>Integral Nail Fin</li> </ul>	<ul style="list-style-type: none"> <li>7/8" Brickmold</li> <li>1-11/16" Brickmold</li> <li>1-11/16" Flat Casing</li> <li>3-5/16" Flat Casing</li> <li>Historical Brickmould</li> </ul>
<b>INTERIOR FINISH</b>	<ul style="list-style-type: none"> <li>Natural</li> </ul>	<ul style="list-style-type: none"> <li>Clear Satin</li> <li>Fruitwood</li> <li>Rich Mahogany</li> <li>Primed</li> <li>Golden Oak</li> <li>Chestnut</li> <li>Prefinished White &amp; Black</li> <li>Poly – 12 Standard / 45 Designer</li> </ul>
<b>INTERIOR SPECIES</b>	<ul style="list-style-type: none"> <li>Pine</li> </ul>	<ul style="list-style-type: none"> <li>Oak</li> <li>Maple</li> <li>Alder (Character)</li> <li>Cherry</li> <li>Mahogany</li> <li>Douglas Fir</li> </ul>
<b>SIZE</b>	<ul style="list-style-type: none"> <li>Width</li> <li>Single Panel Doors 2-1, 2-7, 2-9, 3-1, 3-2</li> <li>Two Panel Doors 4-0, 5-0, 5-4, 6-0, 6-2</li> <li>Height</li> <li>Single and Two panel Doors 6-8, 6-10, 7-2, 8-0, 8-2, 9-0, 10-0</li> </ul>	<ul style="list-style-type: none"> <li>Single Panel Doors: Any jamb width: 19-1/4" to 42-5/16"</li> <li>Two Panel Doors: Any jamb width: 37-1/2" to 95-1/2"</li> <li>Single and Two Panel Doors: Any jamb height: 57-3/32" to 120-1/32"</li> </ul>
<b>GLAZING</b>	<ul style="list-style-type: none"> <li>Low-E Insulating Glass</li> <li>Tempered Glass</li> </ul>	<ul style="list-style-type: none"> <li>Clear IG</li> <li>Low-E 240</li> <li>Zo-e-shield 5</li> <li>Zo-e-shield Extreme</li> <li>Zo-e Shield 6 (laminated)</li> <li>Grey or Bronze Tint</li> <li>Obscure</li> </ul>
<b>GRILLES</b>		<ul style="list-style-type: none"> <li>GBG: 5/8" Flat or 11/16" Sculptured</li> <li>SDL: 5/8", 7/8", 1-1/8", 2"</li> <li>Wood Grille: 7/8"</li> </ul>
<b>HARDWARE</b>	<ul style="list-style-type: none"> <li>3 point lock</li> <li>Arch top escutcheon plate</li> <li>Keyed random lock</li> <li>36" lockset location</li> <li>Adjustable hinge</li> <li>Manual flushbolts</li> </ul>	<ul style="list-style-type: none"> <li>Single point lock</li> <li>Square top escutcheon plate</li> <li>Keyed alike locks</li> <li>54" lockset location</li> <li>Butt hinges</li> <li>Handle activated flushbolts</li> </ul>
<b>HARDWARE COLOR</b>	<ul style="list-style-type: none"> <li>Bright Brass PVD</li> <li>Black</li> </ul>	<ul style="list-style-type: none"> <li>Brushed Nickel PVD</li> <li>Oil Rubbed Bronze</li> <li>Antique Brass</li> <li>Chrome</li> </ul>
<b>JAMB</b>	<ul style="list-style-type: none"> <li>4-9/16"</li> </ul>	<ul style="list-style-type: none"> <li>4-9/16 Min</li> <li>7-1/8" (inswing), 12" (outswing) Max</li> </ul>
<b>HINGING</b>	<ul style="list-style-type: none"> <li>Inswing (8510, 8511)</li> </ul>	<ul style="list-style-type: none"> <li>Outswing (8610, 8611)</li> </ul>
<b>PANEL THICKNESS</b>	<ul style="list-style-type: none"> <li>1-3/4" (8510, 8610)</li> </ul>	<ul style="list-style-type: none"> <li>2-1/4 (8511, 8611)</li> </ul>
<b>RAILS</b>	<ul style="list-style-type: none"> <li>5" (top)</li> <li>7-1/2" (bottom)</li> </ul>	<ul style="list-style-type: none"> <li>7-1/2" (top)</li> <li>10" (bottom)</li> <li>12" (bottom)</li> </ul>
<b>SILLS</b>	<ul style="list-style-type: none"> <li>Standard</li> </ul>	<ul style="list-style-type: none"> <li>ADA</li> <li>Low Profile (outswing)</li> </ul>



# PREMIUM SERIES HINGED PATIO DOORS (8510/8511/8610/8611)

## Elevations

Jamb Dimension	2'-0 5/16"	2'-6 5/16"	2'-8 5/16"	3'-0 5/16"	3'-1 9/16"	3'-11 1/4"	4'-11 1/4"	5'-3 1/4"	5'-11 1/4"	6'-1 11/16"
Rough Opening	2'-1 1/16"	2'-7 1/16"	2'-9 1/16"	3'-1 1/16"	3'-2 5/16"	4'-0"	5'-0"	5'-4"	6'-0"	6'-2 7/16"
Metric R.O. (mm)	637	789	840	941	973	1219	1524	1626	1829	1891
Glass Size	13 1/16"	19 1/16"	21 1/16"	25 1/16"	26 5/16"	13 1/16"	19 1/16"	21 1/16"	25 1/16"	26 5/16"
Panel	1-3/4" Panel	1-3/4" Panel	1-3/4" Panel	1-3/4" Panel	1-3/4" Panel	2-1/4" Panel	2-1/4" Panel	2-1/4" Panel	2-1/4" Panel	2-1/4" Panel
6'-7 17/32"										
6'-8"										
6'-10 1/32"										
6'-10 1/2"										
7'-2 1/32"										
7'-2 1/2"										
8'-0 1/32"										
8'-0 1/2"										
8'-2 1/32"										
8'-2 1/2"										
9'-0 1/32"										
9'-0 1/2"										
10'-0 1/32"										
10'-0 1/2"										

NOTE: Sizes are available inswing or outswing.  
Units shown with 1-3/4" panel (8510/8610)

# PREMIUM SERIES CENTER HINGED PATIO DOORS (8510/8511)

## Elevations

Jamb Dimension	4'-11 1/4"	5'-11 1/4"	6'-11 11/16"	7'-4 3/16"	7'-10 3/16"	8'-10 3/16"
Rough Opening	5'-0"	6'-0"	6'-2 7/16"	7'-4 15/16"	7'-10 15/16"	8'-10 15/16"
Metric R.O. (mm)	1524	1829	1891	2259	2411	2716
Class Size	19 1/16"	25 1/16"	26 1/4"	19 1/16"	21 1/16"	25 1/16"
6'-7 17/32"						
6'-8"	2-5068	2-6068	2-6268	3-7568	3-71168	3-81168
6'-10 1/32"						
6'-10 1/2"	2-50610	2-60610	2-62610	3-75610	3-711610	3-811610
7'-2 1/32"						
7'-2 1/2"	2-5072	2-6072	2-6272	3-7572	3-71172	3-81172
7'-5 5/16"						
7'-8 13/16"	2-5080	2-6080	2-6280	3-7580	3-71180	3-81180
8'-0 1/32"						
8'-0 1/2"	2-5082	2-6082	2-6282	3-7582	3-71182	3-81182
8'-2 1/32"						
8'-2 1/2"	2-5090	2-6090	2-6290	3-7590	3-71190	3-81190
8'-5 5/16"						
8'-8 13/16"	2-50100	2-60100	2-62100	3-75100	3-711100	3-811100
9'-0 1/32"						
9'-0 1/2"	2-50100	2-60100	2-62100	3-75100	3-711100	3-811100
10'-0 1/32"						
10'-0 1/2"	2-50100	2-60100	2-62100	3-75100	3-711100	3-811100

NOTE: Units shown with 1-3/4" panel



# PREMIUM SERIES HINGED PATIO DOOR SIDELITES (8510/8511/8610/8611)

## Elevations

Jamb Dimension	1'-2 1/2"	1'-4 1/2"	1'-6 1/2"	1'-8 1/2"
Rough Opening	1'-3 1/4"	1'-5 1/4"	1'-7 1/4"	1'-9 1/4"
Metric R.O. (mm)	387	438	489	540
Class Size	8"	10"	12"	14"
6'-7 17/32"				
6'-8"	1368	1568	1768	1968
6'-10 1/32"				
6'-10 1/2"	13610	15610	17610	19610
7'-2 1/32"				
7'-2 1/2"	1372	1572	1772	1972
7'-5/16"				
71 5/16"	1380	1580	1780	1980
78 13/16"				
8'-0 1/32"	1382	1582	1782	1982
8'-0 1/2"				
81 5/16"	1382	1582	1782	1982
83 5/16"				
80 13/16"	1382	1582	1782	1982
8'-2 1/32"				
8'-2 1/2"	1382	1582	1782	1982
83 5/16"				
80 13/16"	1382	1582	1782	1982
9'-0 1/32"				
9'-0 1/2"	1390	1590	1790	1990
2756				
90 13/16"	1390	1590	1790	1990
90 13/16"				
102 13/16"	13100	15100	17100	19100
102 13/16"				

NOTE: Sizes are available inswing or outswing.  
Units shown with 1-3/4" panel (8510/8610)

# PREMIUM SERIES HINGED PATIO DOOR TRANSOMS (830)

## Elevations

### 1-Wide Door Transoms

Jamb Dimension	2'-0 5/16"	2'-6 5/16"	2'-8 5/16"	3'-0 5/16"	3'-1 9/16"
Rough Opening	2'-1 1/16"	2'-7 1/16"	2'-9 1/16"	3'-1 1/16"	3'-2 5/16"
Metric R.O. (mm)	637	789	840	941	941
Glass Size	13 1/6"	19 1/16"	21 1/16"	25 1/16"	26 5/16"

1-0"					
1-0 1/2"					
1-8"					
1-8 1/2"					

NOTE: Sizes are available inswing or outswing.

### 2-Wide Door Transoms

Jamb Dimension	3'-11 1/4"	4'-11 1/4"	5'-11 1/4"	6'-1 11/16"
Rough Opening	4'-0"	5'-0"	6'-0"	6'-2 7/16"
Metric R.O. (mm)	1219	1524	1829	1891
Glass Size	36" - 13 1/16"	48" - 19 1/16"	60" - 25 1/16"	62 7/16" - 26 1/4"

1-0"				
1-0 1/2"				
1-8"				
1-8 1/2"				
2-0"				
2-0 1/2"				
2-4"				
2-4 1/2"				

NOTE: Sizes are available inswing or outswing.

### Center Hinged Door Transoms

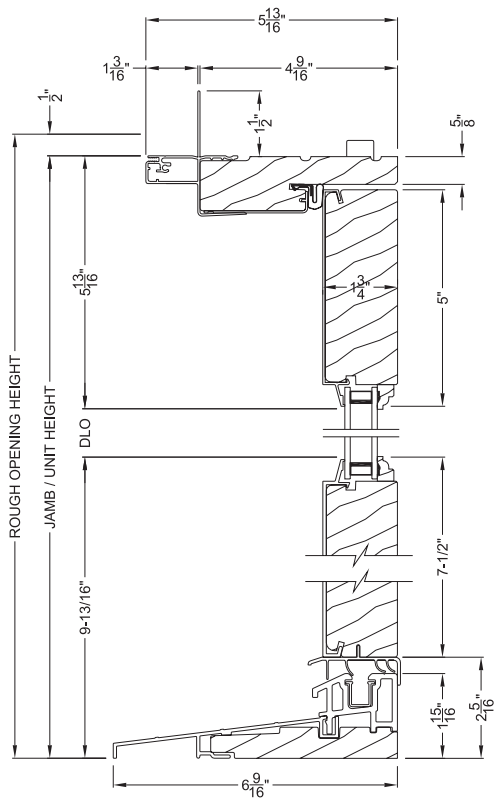
Jamb Dimension	4'-11 1/4"	5'-11 1/4"	6'-1 11/16"	7'-4 3/16"	7'-10 3/16"	8'-10 3/16"
Rough Opening	5'-0"	6'-0"	6'-2 7/16"	7'-4 15/16"	7'-10 15/16"	8'-10 15/16"
Metric R.O. (mm)	1524	1829	1897	2259	2411	2716
Glass Size	48" - 19 1/16"	60" - 25 1/16"	62 7/16" - 26 1/4"	76 15/16" - 19 1/16"	82 15/16" - 21 1/16"	94 15/16" - 25 1/16"

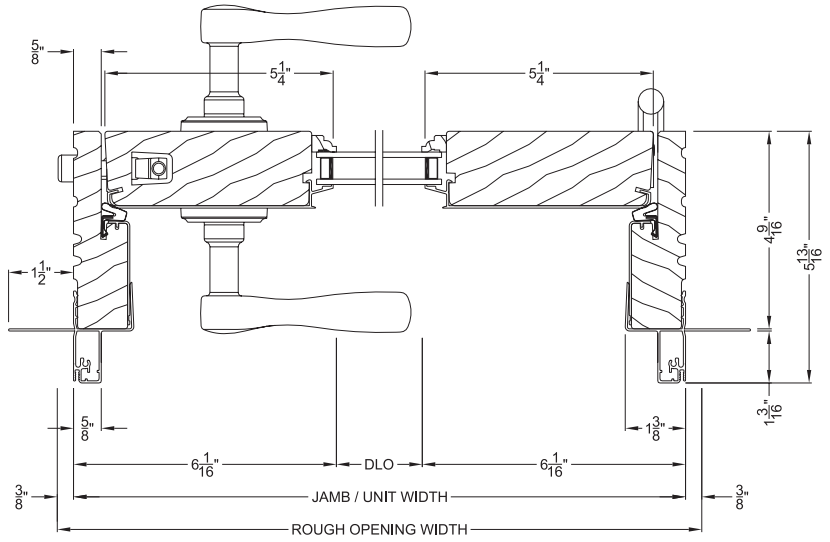
1-0"						
1-0 1/2"						
1-8"						
1-8 1/2"						
2-0"						
2-0 1/2"						
2-4"						
2-4 1/2"						

# PREMIUM SERIES IN SWING HINGED PATIO DOORS (8150)

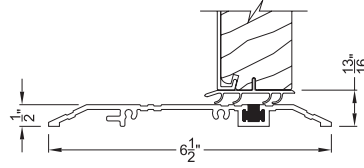
## Cross Sections



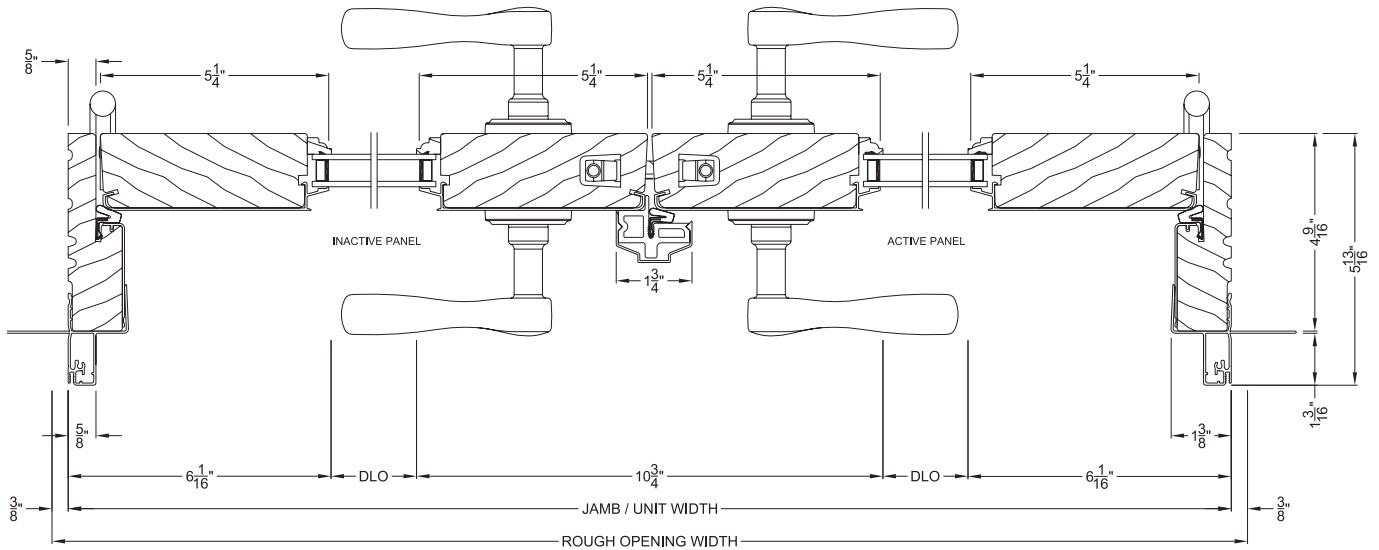
**PREMIUM IN SWING DOOR (8150)**  
Vertical Section



**PREMIUM IN SWING DOOR (8150)**  
Horizontal Section - Single Door



**PREMIUM IN SWING DOOR (8150)**  
Vertical Section - ADA Sill

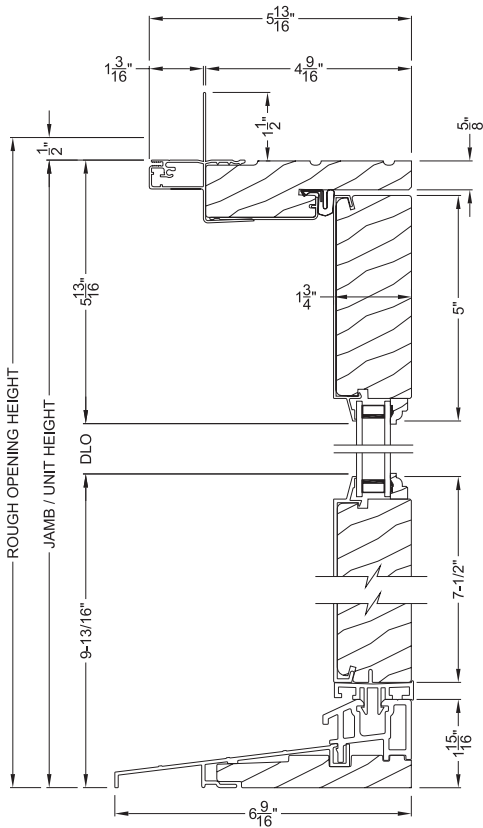


**PREMIUM IN SWING DOOR (8150)**  
Horizontal Section - Double Door

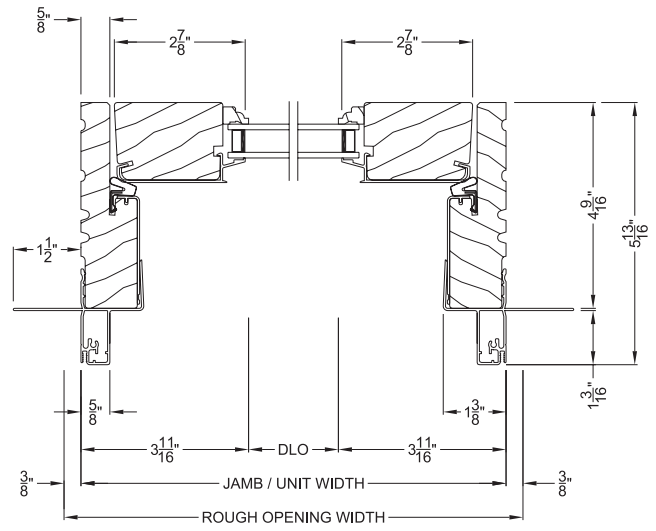
Note: All dimensions are approximate. Weather Shield reserves the right to change specifications without notice.

# PREMIUM SERIES INSWING HINGED PATIO DOOR SIDELITES (8510)

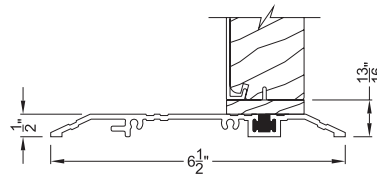
## Cross Sections



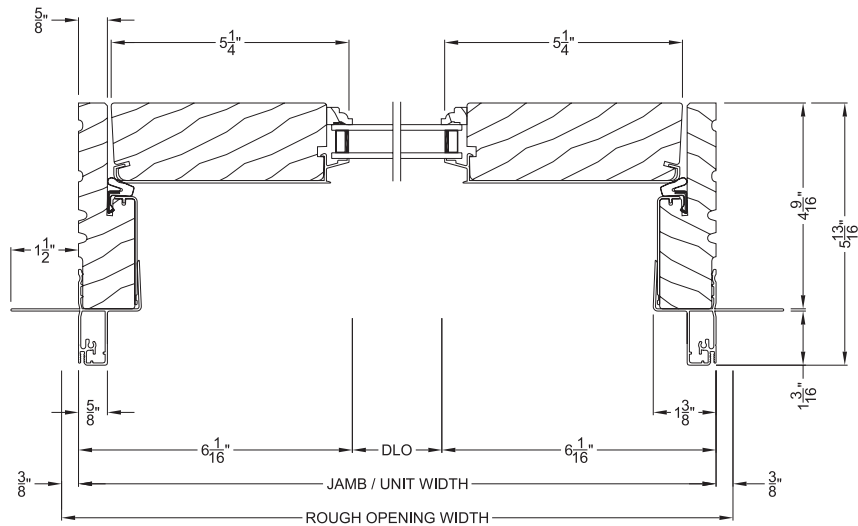
**PREMIUM INSWING SIDELITE (8510)**  
Vertical Section



**PREMIUM INSWING SIDELITE (8510)**  
Horizontal Section



**PREMIUM INSWING SIDELITE (8510)**  
Vertical Section - ADA Sill



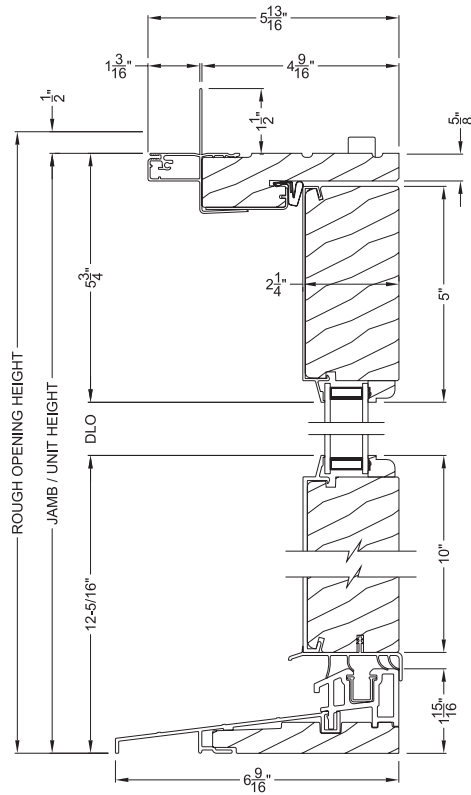
**PREMIUM INSWING DOOR (8510)**  
Horizontal Section - Stationary Single Door

Note: All dimensions are approximate. Weather Shield reserves the right to change specifications without notice.

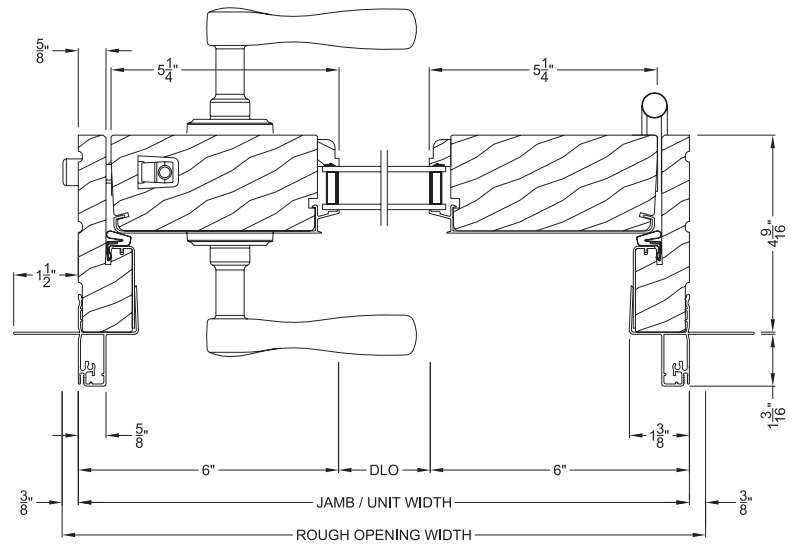


# PREMIUM SERIES 2-1/4" INSWING HINGED PATIO DOORS (8511)

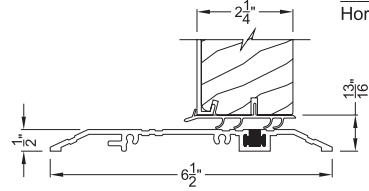
## Cross Sections



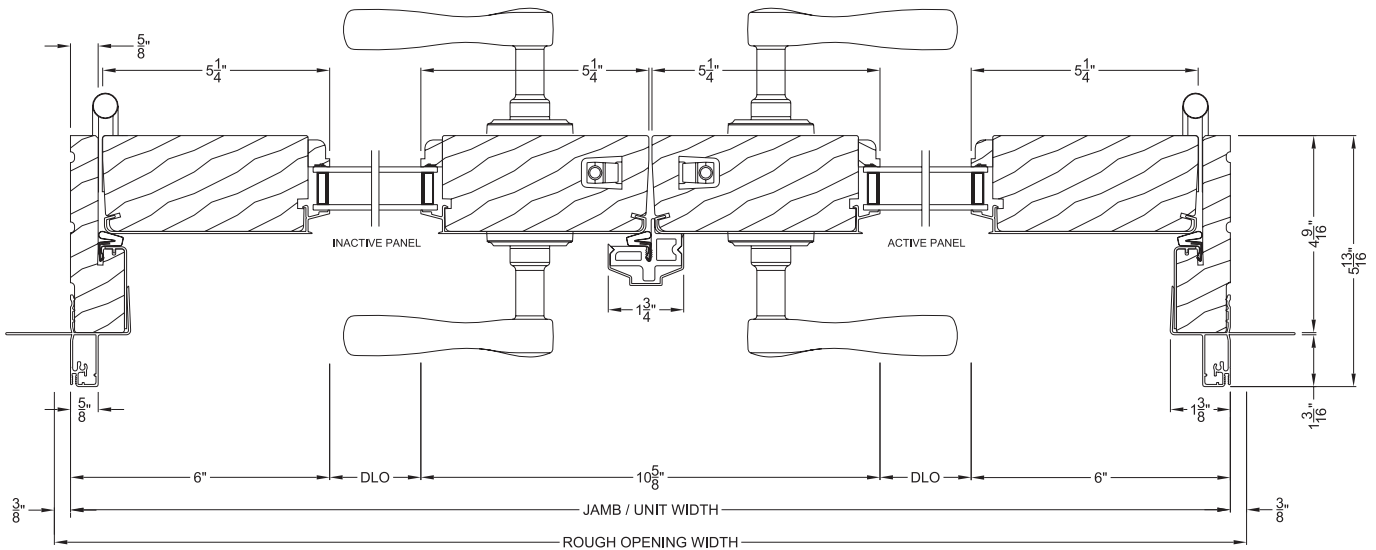
**PREMIUM INSWING DOOR (8511)**  
Vertical Section - 2-1/4" Panel



**PREMIUM INSWING DOOR (8511)**  
Horizontal Section - Single Door, 2-1/4" Panel



**PREMIUM INSWING DOOR (8511)**  
Vertical Section - ADA Sill 2-1/4" Panel

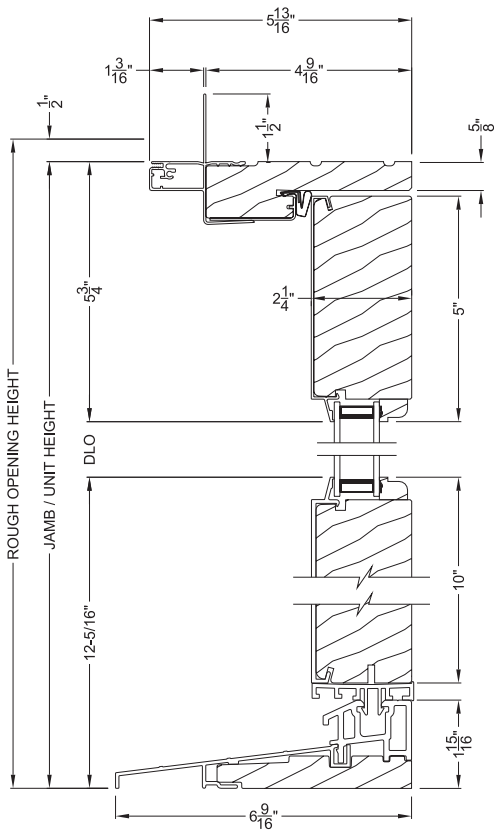


**PREMIUM INSWING DOOR (8511)**  
Horizontal Section - Double Door, 2-1/4" Panel

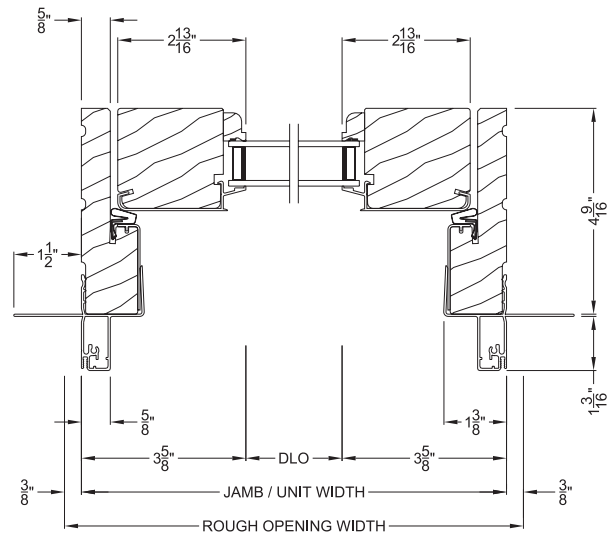
Note: All dimensions are approximate. Weather Shield reserves the right to change specifications without notice.

# PREMIUM SERIES 2-1/4" INSWING HINGED PATIO DOOR SIDELITES (8511)

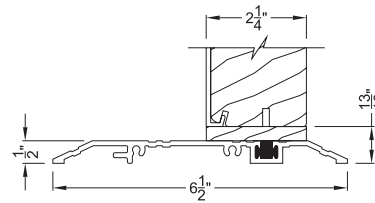
## Cross Sections



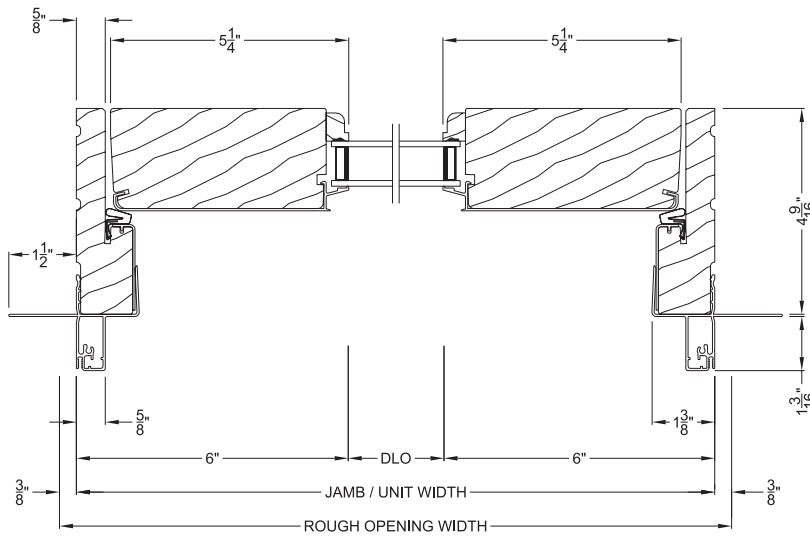
**PREMIUM INSWING SIDELITE (8511)**  
Vertical Section - 2-1/4" Panel



**PREMIUM INSWING SIDELITE (8511)**  
Horizontal Section - 2-1/4" Panel



**PREMIUM INSWING DOOR (8511)**  
Vertical Section - ADA Sill 2-1/4" Panel

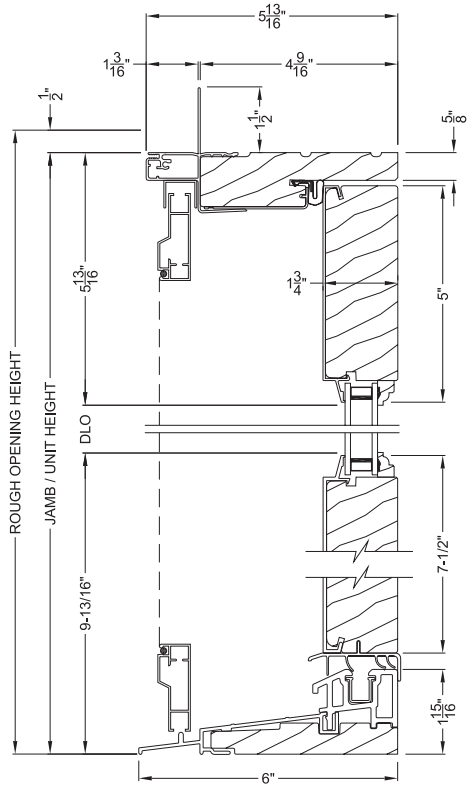


**PREMIUM INSWING DOOR (8511)**  
Horizontal Section - Stationary Single Door, 2-1/4" Panel

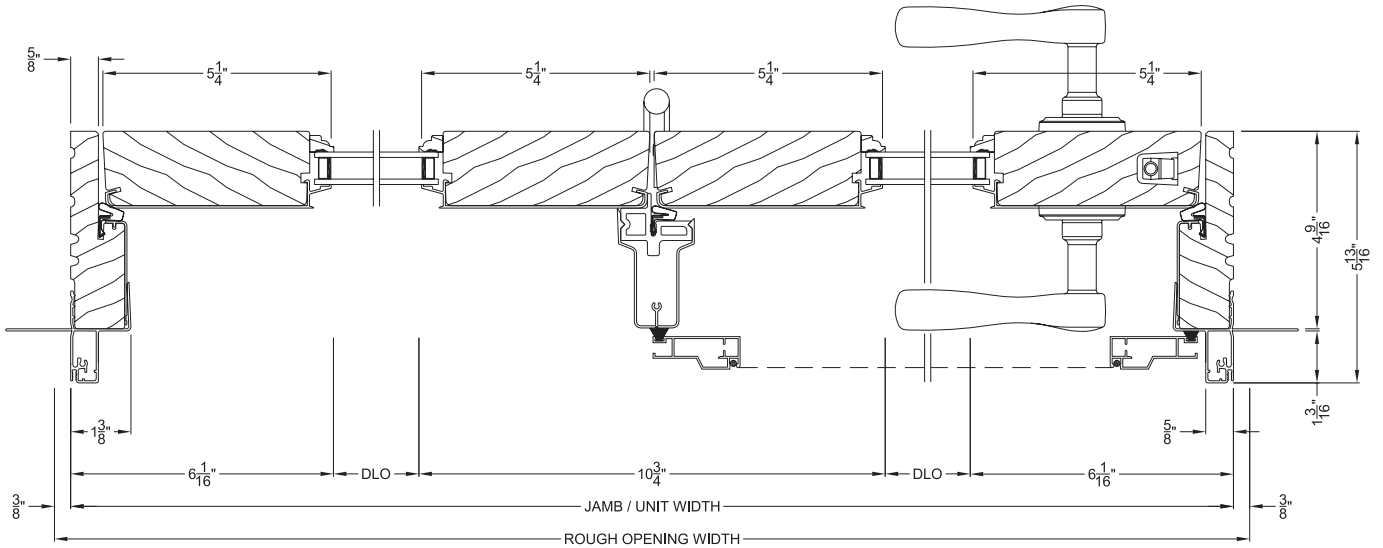
Note: All dimensions are approximate. Weather Shield reserves the right to change specifications without notice.

# PREMIUM SERIES CENTER HINGED PATIO DOORS (8510)

## Cross Sections



**PREMIUM CENTER HINGE DOOR (8510)**  
Vertical Section



**PREMIUM CENTER HINGE DOOR (8510)**  
Horizontal Section

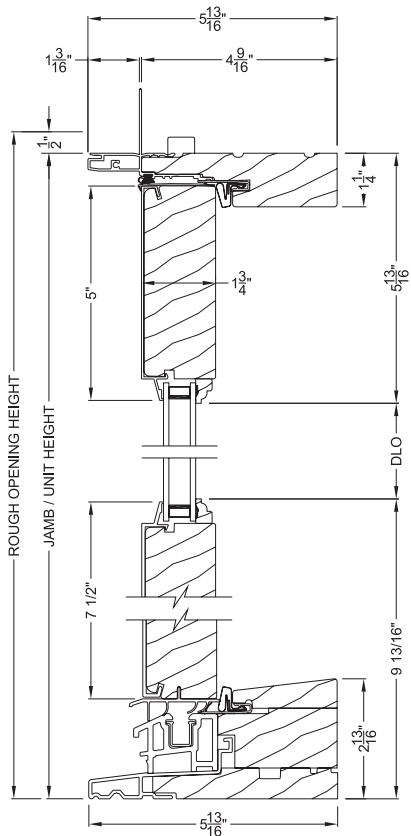
Note: All dimensions are approximate. Weather Shield reserves the right to change specifications without notice.



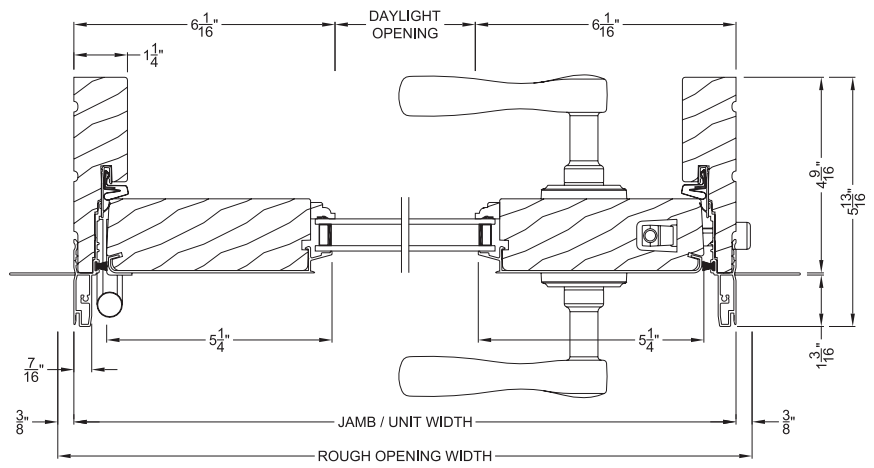
# PREMIUM SERIES OUTSWING HINGED PATIO DOORS (8610)

## Cross Sections

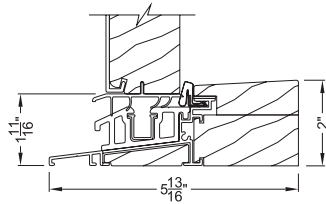
HINGED PATIO DOORS



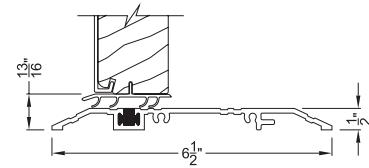
**PREMIUM OUTSWING DOOR (8610)**  
Vertical Section - Standard Sill



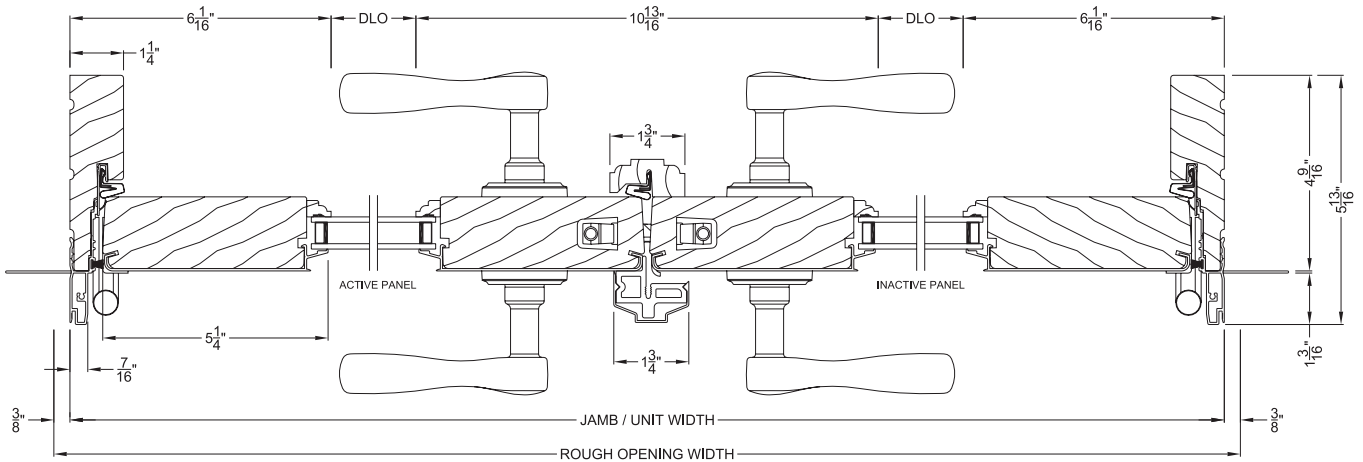
**PREMIUM OUTSWING DOOR (8610)**  
Horizontal Section - Single Door



**PREMIUM OUTSWING DOOR (8610)**  
Vertical Section - Alternate Low Profile Sill



**PREMIUM OUTSWING DOOR (8610)**  
Vertical Section - ADA Sill

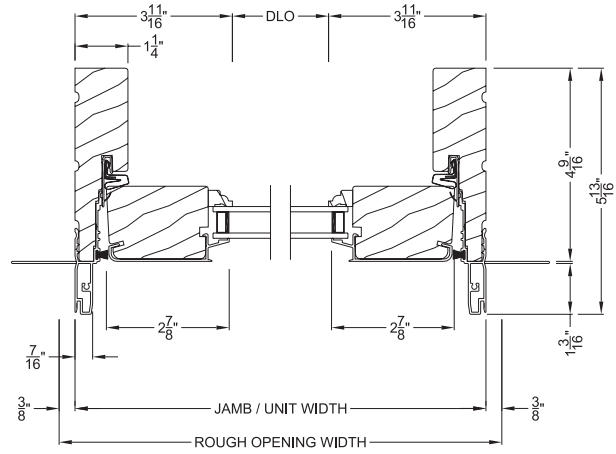
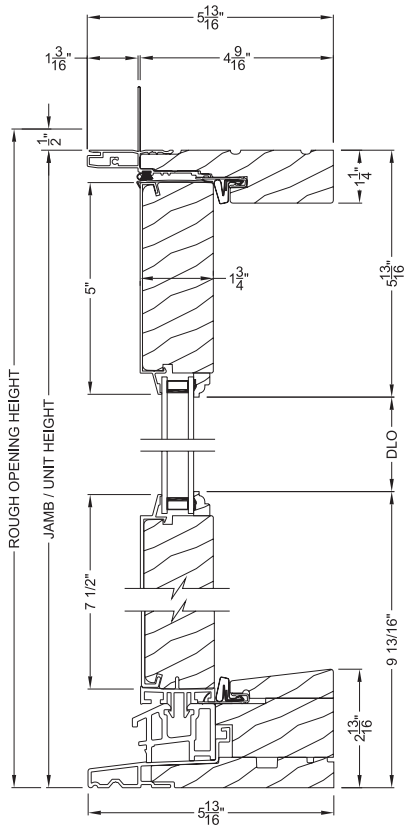


**PREMIUM FRENCH OUTSWING DOOR (8610)**  
Horizontal Section - Double Door

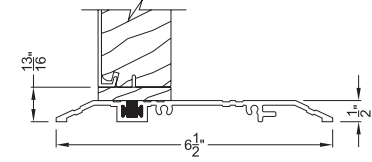
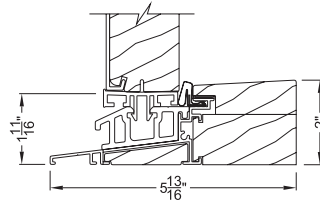
Note: All dimensions are approximate. Weather Shield reserves the right to change specifications without notice.

# PREMIUM SERIES OUTSWING HINGED PATIO DOOR SIDELITES (8610)

## Cross Sections



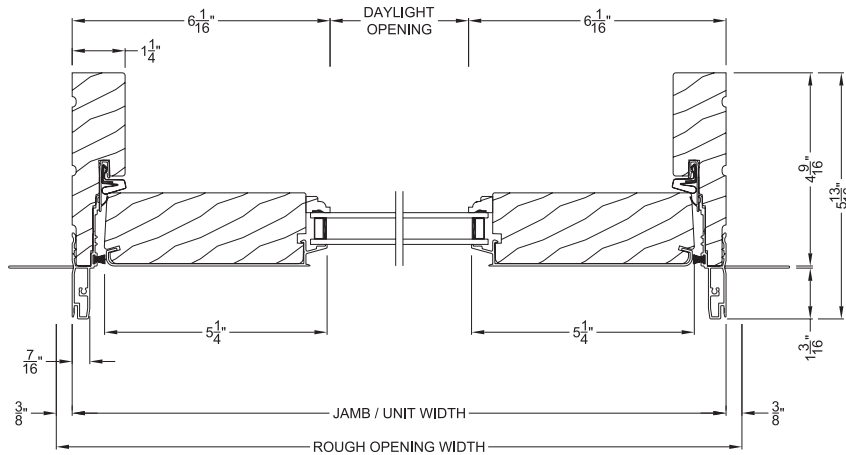
**PREMIUM OUTSWING SIDELITE (8610)**  
Horizontal Section



**PREMIUM OUTSWING SIDELITE (8610)**  
Vertical Section

**PREMIUM OUTSWING SIDELITE (8610)**  
Vertical Section - Alternate Low Profile Sill

**PREMIUM OUTSWING SIDELITE (8610)**  
Vertical Section - ADA Sill

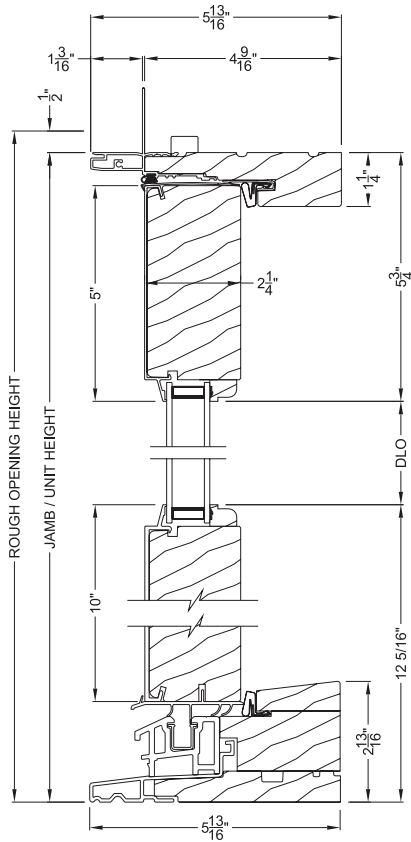


**PREMIUM OUTSWING DOOR (8610)**  
Horizontal Section - Stationary Single Door

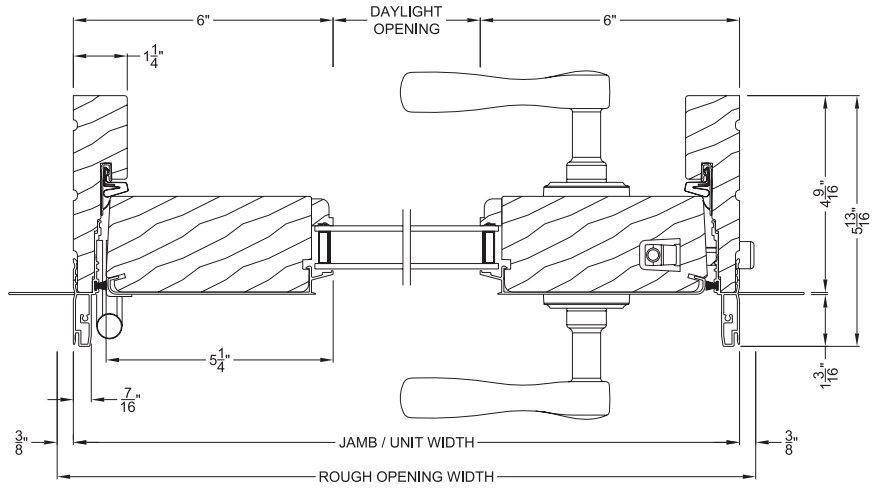
Note: All dimensions are approximate. Weather Shield reserves the right to change specifications without notice.

# PREMIUM SERIES 2-1/4" OUTSWING HINGED PATIO DOORS (8611)

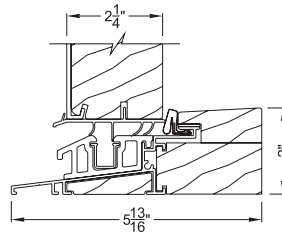
## Cross Sections



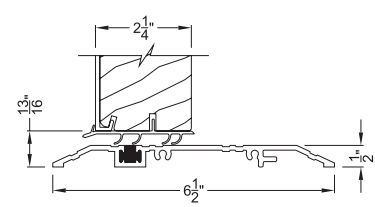
**PREMIUM OUTSWING DOOR (8611)**  
Vertical Section - Standard Sill, 2-1/4" Panel



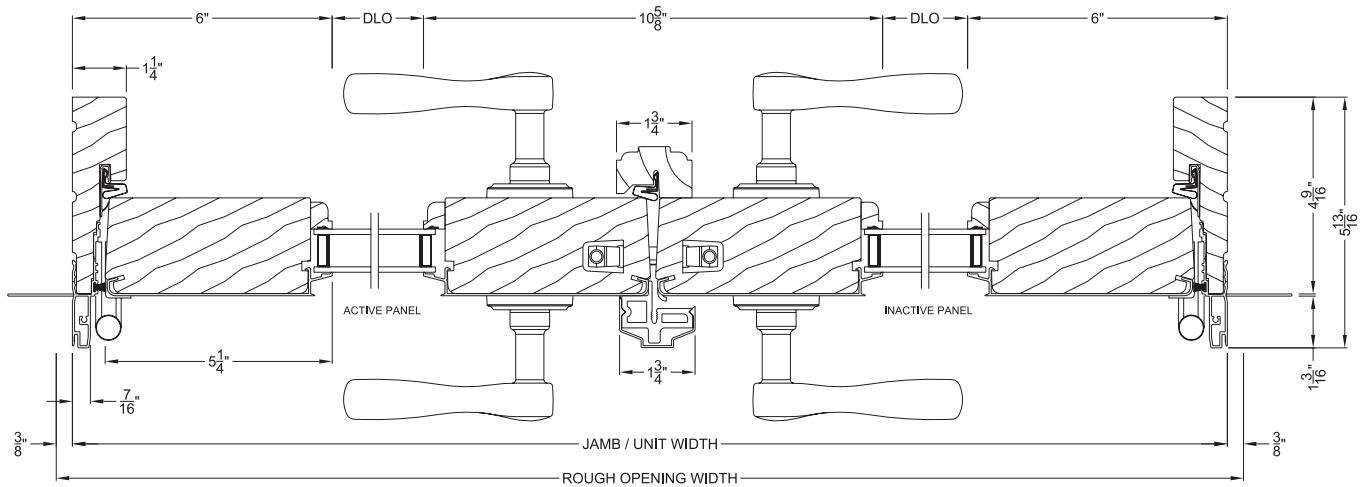
**PREMIUM OUTSWING DOOR (8611)**  
Horizontal Section - Single Door, 2-1/4" Panel



**PREMIUM OUTSWING DOOR (8611)**  
Vertical Section - Alternate Low Profile Sill



**PREMIUM OUTSWING DOOR (8611)**  
Vertical Section - ADA Sill, 2-1/4" Panel



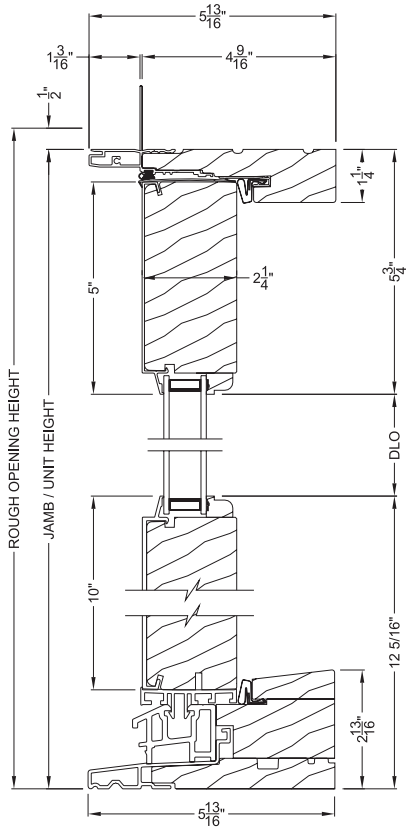
**PREMIUM FRENCH OUTSWING DOOR (8611)**  
Horizontal Section - Double Door, 2-1/4" Panel

Note: All dimensions are approximate. Weather Shield reserves the right to change specifications without notice.

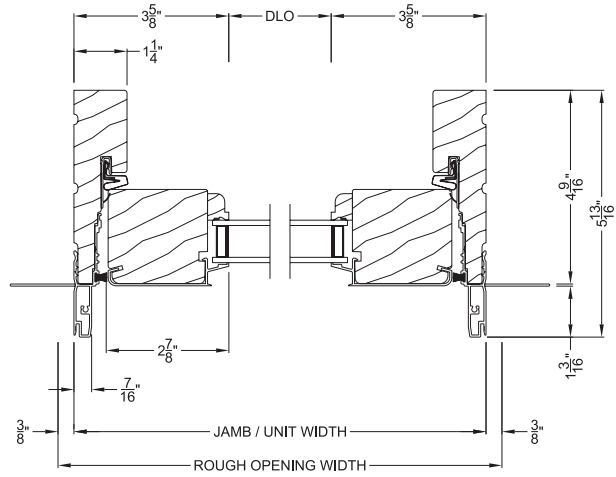


# PREMIUM SERIES 2-1/4" OUTSWING HINGED PATIO DOOR SIDELITES (8611)

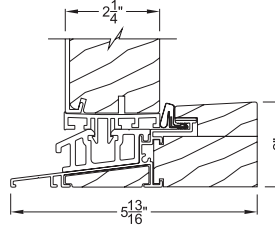
## Cross Sections



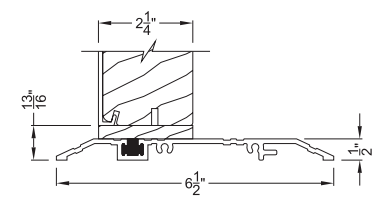
**PREMIUM OUTSWING SIDELITE (8611)**  
Vertical Section - Standard Sill, 2-1/4" Panel



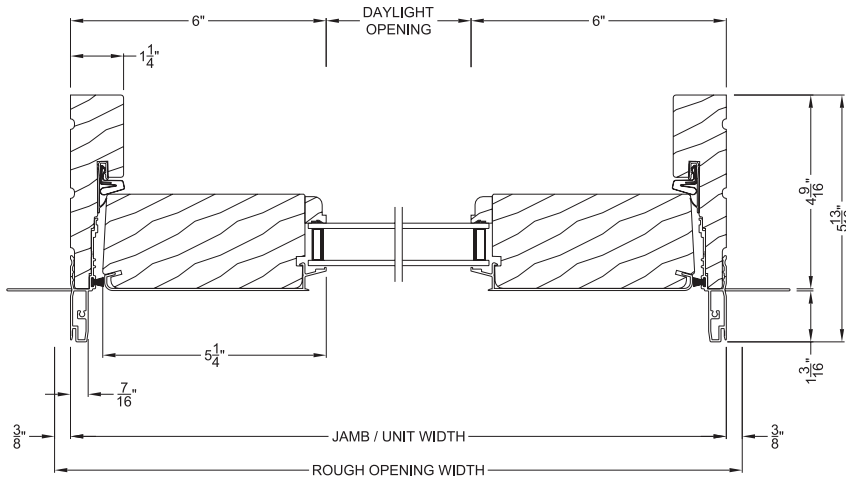
**PREMIUM OUTSWING SIDELITE (8611)**  
Horizontal Section - 2-1/4" Panel



**PREMIUM OUTSWING SIDELITE (8611)**  
Vertical Section - Alternate Low Profile Sill



**PREMIUM OUTSWING SIDELITE (8611)**  
Vertical Section - ADA Sill, 2-1/4" Panel

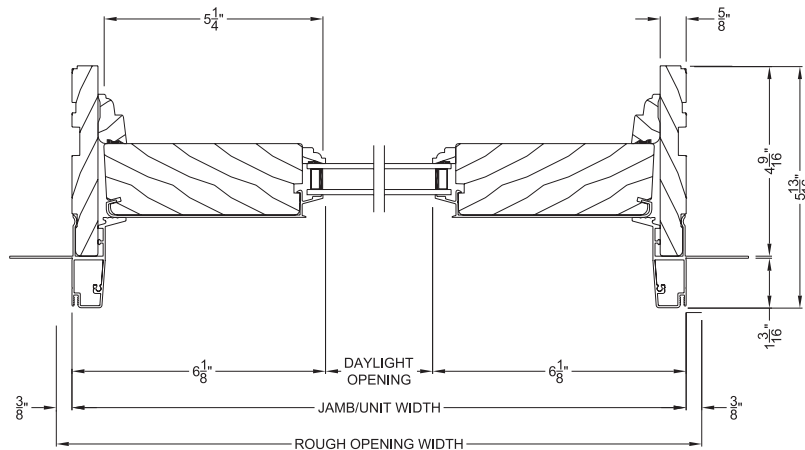
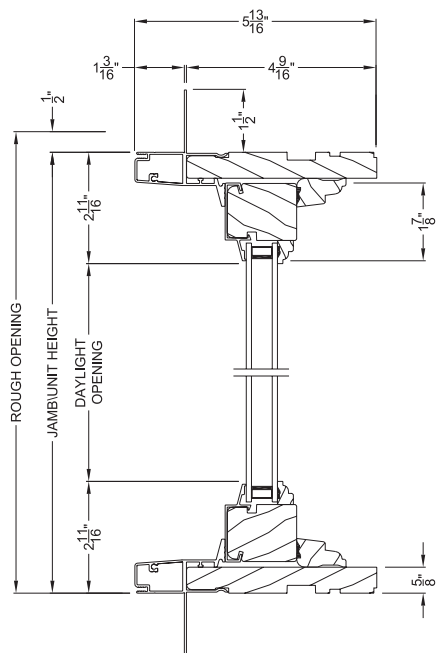


**PREMIUM OUTSWING DOOR (8611)**  
Horizontal Section - Stationary Single Door, 2-1/4" Panel

Note: All dimensions are approximate. Weather Shield reserves the right to change specifications without notice.

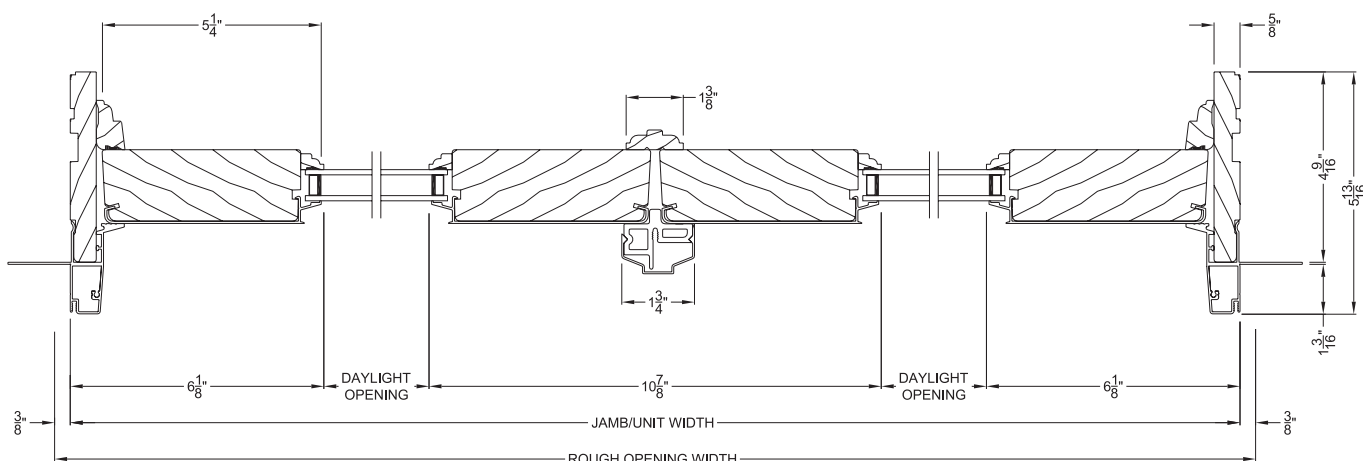
# PREMIUM SERIES IN SWING HINGED PATIO DOOR TRANSOMS (830)

## Cross Sections



**PREMIUM IN SWING HINGED DOOR TRANSOM (830)**  
Horizontal Section - With 1 Panel

**PREMIUM IN SWING HINGED DOOR TRANSOM (830)**  
Vertical Section - With Panel

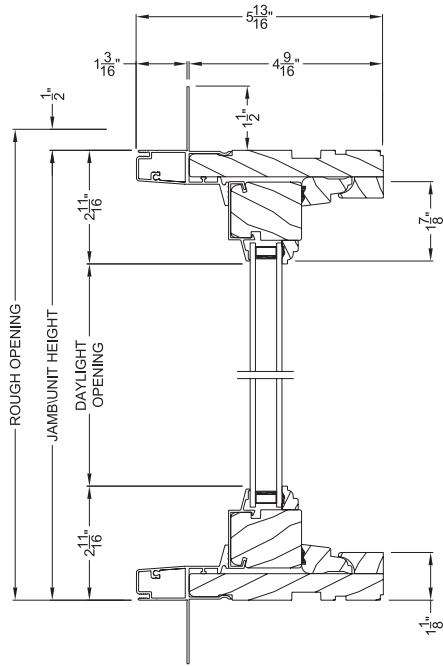


**PREMIUM IN SWING HINGED DOOR TRANSOM (830)**  
Horizontal Section - With 2 Panels

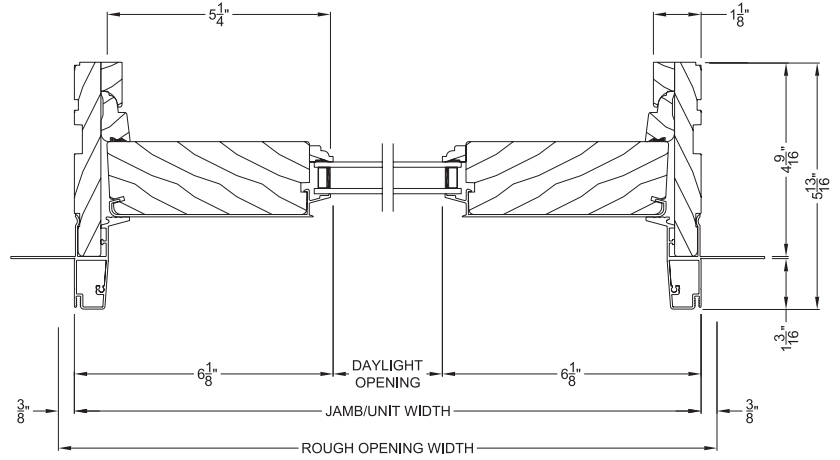
Note: All dimensions are approximate. Weather Shield reserves the right to change specifications without notice.

# PREMIUM SERIES OUTSWING HINGED PATIO DOOR TRANSOMS (830)

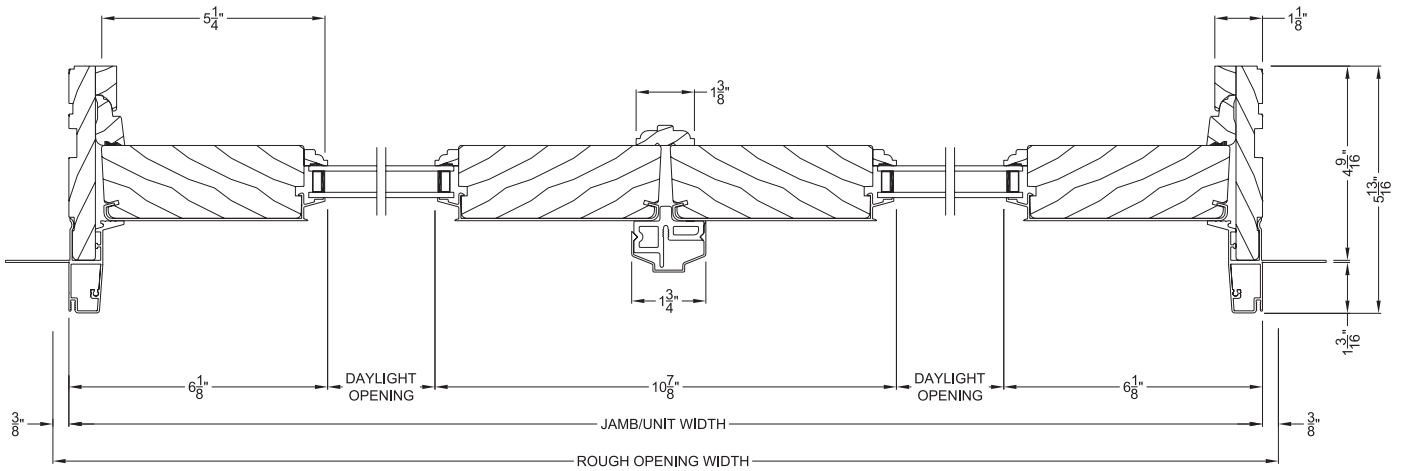
## Cross Sections



**PREMIUM OUTSWING HINGED DOOR TRANSOM (830)**  
Vertical Section - With Panel



**PREMIUM OUTSWING HINGED DOOR TRANSOM (830)**  
Horizontal Section - With 1 Panel



**PREMIUM OUTSWING HINGED DOOR TRANSOM (830)**  
Horizontal Section - With 2 Panels

Note: All dimensions are approximate. Weather Shield reserves the right to change specifications without notice.

# PREMIUM SERIES INSWING HINGED PATIO DOORS STANDARD SILL – 1-3/4" PANEL (8510)

## Opening Specifications

Ordering Size	Sq. Ft. Clear Opening		Clear Opening <sup>a</sup>				Sq. Ft. Daylight Opening			Sq. Ft. Vent		Sq. Ft. Overall Unit Area <sup>b</sup>
	1 Oper. Panel	2 Oper. Panels	Width		Height	7-1/2" Bottom Rail	10" Bottom Rail	12" Bottom Rail	1 Oper. Panel	2 Oper. Panels		
			1 Oper. Panel	2 Oper. Panels								
2-1 x 6-8	10.40	---	19.66	---	76.18	5.45	5.24	5.07	10.40	---	13.43	
2-7 x 6-8	13.58	---	25.66	---	76.18	8.12	7.80	7.55	13.58	---	16.74	
2-9 x 6-8	14.63	---	27.66	---	76.18	9.00	8.65	8.37	14.63	---	17.85	
3-1 x 6-8	16.75	---	31.66	---	76.18	10.78	10.36	10.02	16.75	---	20.06	
3-2 x 6-8	17.41	---	32.91	---	76.18	11.34	10.89	10.54	17.41	---	20.75	
4-0 x 6-8	10.25	21.55	19.38	40.73	76.18	10.90	10.48	10.14	10.25	21.55	26.10	
5-0 x 6-8	13.43	27.89	25.38	52.73	76.18	16.24	15.60	15.10	13.43	27.89	32.72	
5-4 x 6-8	14.48	30.01	27.38	56.73	76.18	18.00	17.30	16.74	14.48	30.01	34.93	
6-0 x 6-8	16.60	34.24	31.38	64.73	76.18	21.56	20.72	20.04	16.60	34.24	39.35	
6-2 x 6-8	17.24	35.53	32.60	67.16	76.18	22.68	21.78	21.08	17.24	35.53	40.70	
2-1 x 6-10	10.74	---	19.66	---	78.68	5.67	5.45	5.28	10.74	---	13.85	
2-7 x 6-10	14.02	---	25.66	---	78.68	8.43	8.12	7.86	14.02	---	17.27	
2-9 x 6-10	15.11	---	27.66	---	78.68	9.36	9.00	8.72	15.11	---	18.41	
3-1 x 6-10	17.30	---	31.66	---	78.68	11.20	10.78	10.44	17.30	---	20.69	
3-2 x 6-10	17.98	---	32.91	---	78.68	11.78	11.34	10.98	17.98	---	21.40	
4-0 x 6-10	10.59	22.25	19.38	40.73	78.68	11.34	10.90	10.56	10.59	22.25	26.92	
5-0 x 6-10	13.87	28.81	25.38	52.73	78.68	16.86	16.24	15.72	13.87	28.81	33.75	
5-4 x 6-10	14.96	30.99	27.38	56.73	78.68	18.72	18.00	17.44	14.96	30.99	36.03	
6-0 x 6-10	17.14	35.37	31.38	64.73	78.68	22.40	21.56	20.88	17.14	35.37	40.59	
6-2 x 6-10	17.81	36.70	32.60	67.16	78.68	23.56	22.68	21.96	17.81	36.70	41.98	
2-1 x 7-2	11.29	---	19.66	---	82.68	6.01	5.79	5.62	11.29	---	14.53	
2-7 x 7-2	14.73	---	25.66	---	82.68	8.94	8.62	8.37	14.73	---	18.11	
2-9 x 7-2	15.88	---	27.66	---	82.68	9.92	9.57	9.29	15.88	---	19.30	
3-1 x 7-2	18.18	---	31.66	---	82.68	11.88	11.46	11.12	18.18	---	21.69	
3-2 x 7-2	18.90	---	32.91	---	82.68	12.49	12.05	11.69	18.90	---	22.44	
4-0 x 7-2	11.13	23.38	19.38	40.73	82.68	12.02	11.58	11.24	11.13	23.38	28.23	
5-0 x 7-2	14.57	30.27	25.38	52.73	82.68	17.88	17.24	16.74	14.57	30.27	35.40	
5-4 x 7-2	15.72	32.57	27.38	56.73	82.68	19.84	19.14	18.58	15.72	32.57	37.79	
6-0 x 7-2	18.02	37.16	31.38	64.73	82.68	23.76	22.92	22.24	18.02	37.16	42.57	
6-2 x 7-2	18.72	38.56	32.60	67.16	82.68	24.98	24.10	23.38	18.72	38.56	44.02	
2-1 x 8-0	12.65	---	19.66	---	92.68	6.86	6.65	6.48	12.65	---	16.21	
2-7 x 8-0	16.52	---	25.66	---	92.68	10.21	9.89	9.64	16.52	---	20.21	
2-9 x 8-0	17.80	---	27.66	---	92.68	11.33	10.98	10.70	17.80	---	21.55	
3-1 x 8-0	20.38	---	31.66	---	92.68	13.56	13.14	12.80	20.38	---	24.22	
3-2 x 8-0	21.18	---	32.91	---	92.68	14.26	13.82	13.46	21.18	---	25.05	
4-0 x 8-0	12.47	26.21	19.38	40.73	92.68	13.72	13.30	12.96	12.47	26.21	31.51	
5-0 x 8-0	16.33	33.94	25.38	52.73	92.68	20.42	19.78	19.28	16.33	33.94	39.51	
5-4 x 8-0	17.62	36.51	27.38	56.73	92.68	22.66	21.96	21.40	17.62	36.51	42.18	
6-0 x 8-0	20.20	41.66	31.38	64.73	92.68	27.12	26.28	25.60	20.20	41.66	47.52	
6-2 x 8-0	20.98	43.23	32.60	67.16	92.68	28.52	27.64	26.92	20.98	43.23	49.14	
2-1 x 8-2	12.93	---	19.66	---	94.68	7.03	6.82	6.65	12.93	---	16.55	
2-7 x 8-2	16.87	---	25.66	---	94.68	10.47	10.15	9.89	16.87	---	20.64	
2-9 x 8-2	18.19	---	27.66	---	94.68	11.61	11.26	10.98	18.19	---	22.00	
3-1 x 8-2	20.82	---	31.66	---	94.68	13.90	13.48	13.14	20.82	---	24.72	
3-2 x 8-2	21.64	---	32.91	---	94.68	14.62	14.17	13.82	21.64	---	25.57	
4-0 x 8-2	12.74	26.78	19.38	40.73	94.68	14.06	13.64	13.30	12.74	26.78	32.17	
5-0 x 8-2	16.69	34.67	25.38	52.73	94.68	20.94	20.30	19.78	16.69	34.67	40.34	
5-4 x 8-2	18.00	37.30	27.38	56.73	94.68	23.22	22.52	21.96	18.00	37.30	43.06	
6-0 x 8-2	20.63	42.56	31.38	64.73	94.68	27.80	26.96	26.28	20.63	42.56	48.51	
6-2 x 8-2	21.43	44.16	32.60	67.16	94.68	29.24	28.34	27.64	21.43	44.16	50.16	
2-1 x 9-0	14.29	---	19.66	---	104.68	---	7.67	7.50	14.29	---	18.24	
2-7 x 9-0	18.65	---	25.66	---	104.68	---	11.42	11.16	18.65	---	22.74	
2-9 x 9-0	20.11	---	27.66	---	104.68	---	12.67	12.39	20.11	---	24.24	
3-1 x 9-0	23.02	---	31.66	---	104.68	---	15.17	14.83	23.02	---	27.24	
3-2 x 9-0	23.92	---	32.91	---	104.68	---	15.95	15.59	23.92	---	28.18	
4-0 x 9-0	14.09	29.61	19.38	40.73	104.68	---	15.34	15.00	14.09	29.61	35.45	
5-0 x 9-0	18.45	38.33	25.38	52.73	104.68	---	22.84	22.32	18.45	38.33	44.45	
5-4 x 9-0	19.90	41.24	27.38	56.73	104.68	---	25.34	24.78	19.90	41.24	47.45	
6-0 x 9-0	22.81	47.05	31.38	64.73	104.68	---	30.34	29.66	22.81	47.05	53.45	
6-2 x 9-0	23.70	48.82	32.60	67.16	104.68	---	31.90	31.18	23.70	48.82	55.28	

# PREMIUM SERIES IN SWING HINGED PATIO DOORS STANDARD SILL – 1-3/4" PANEL (8510)

## Opening Specifications

Ordering Size	Sq. Ft. Clear Opening		Clear Opening <sup>a</sup>				Sq. Ft. Daylight Opening			Sq. Ft. Vent		Sq. Ft. Overall Unit Area <sup>b</sup>
	1 Oper. Panel	2 Oper. Panels	Width		Height	7-1/2" Bottom Rail	10" Bottom Rail	12" Bottom Rail	1 Oper. Panel	2 Oper. Panels		
			1 Oper. Panel	2 Oper. Panels								
2-1 x 10-0	15.93	---	19.66	---	116.68	---	8.69	8.52	15.93	---	20.27	
2-7 x 10-0	20.79	---	25.66	---	116.68	---	12.94	12.69	20.79	---	25.27	
2-9 x 10-0	22.41	---	27.66	---	116.68	---	14.36	14.08	22.41	---	26.93	
3-1 x 10-0	25.65	---	31.66	---	116.68	---	17.19	16.85	25.65	---	30.27	
3-2 x 10-0	26.67	---	32.91	---	116.68	---	18.07	17.72	26.67	---	31.31	
4-0 x 10-0	15.70	33.00	19.38	40.73	116.68	---	17.38	17.04	15.70	33.00	39.39	
5-0 x 10-0	20.56	42.72	25.38	52.73	116.68	---	25.88	25.38	20.56	42.72	49.39	
5-4 x 10-0	22.18	45.96	27.38	56.73	116.68	---	28.72	28.16	22.18	45.96	52.72	
6-0 x 10-0	25.42	52.45	31.38	64.73	116.68	---	34.38	33.70	25.42	52.45	59.39	
6-2 x 10-0	26.41	54.42	32.60	67.16	116.68	---	36.14	35.44	26.41	54.42	61.42	

<sup>a</sup> All calculations assume operating panel is open 90 degrees.

<sup>b</sup> Sq. Ft. Overall Unit Area is calculated on the jamb dimension.

# PREMIUM SERIES INSWING HINGED PATIO DOORS ADA SILL – 1-3/4" PANEL (8510)

## Opening Specifications

Ordering Size	Sq. Ft. Clear Opening		Clear Opening <sup>a</sup>				Sq. Ft. Daylight Opening			Sq. Ft. Vent		Sq. Ft. Overall Unit Area <sup>b</sup>
	1 Oper. Panel	2 Oper. Panels	Width		Height	7-1/2" Bottom Rail	10" Bottom Rail	12" Bottom Rail	1 Oper. Panel	2 Oper. Panels		
			1 Oper. Panel	2 Oper. Panels								
2-1 x 6-8	10.45	---	19.77	---	76.14	5.45	5.24	5.07	10.45	---	13.17	
2-7 x 6-8	13.62	---	25.77	---	76.14	8.12	7.80	7.55	13.62	---	16.43	
2-9 x 6-8	14.68	---	27.77	---	76.14	9.00	8.65	8.37	14.68	---	17.51	
3-1 x 6-8	16.80	---	31.77	---	76.14	10.78	10.36	10.02	16.80	---	19.68	
3-2 x 6-8	17.46	---	33.02	---	76.14	11.34	10.89	10.54	17.46	---	20.35	
4-0 x 6-8	10.25	21.50	19.38	40.66	76.14	10.90	10.48	10.14	10.25	21.50	25.60	
5-0 x 6-8	13.42	27.84	25.38	52.66	76.14	16.24	15.60	15.10	13.42	27.84	32.11	
5-4 x 6-8	14.48	29.96	27.38	56.66	76.14	18.00	17.30	16.74	14.48	29.96	34.27	
6-0 x 6-8	16.59	34.19	31.38	64.66	76.14	21.56	20.72	20.04	16.59	34.19	38.61	
6-2 x 6-8	17.24	35.48	32.60	67.09	76.14	22.68	21.78	21.08	17.24	35.48	39.93	
2-1 x 6-10	10.79	---	19.77	---	78.64	5.67	5.45	5.28	10.79	---	13.60	
2-7 x 6-10	14.07	---	25.77	---	78.64	8.43	8.12	7.86	14.07	---	16.95	
2-9 x 6-10	15.16	---	27.77	---	78.64	9.36	9.00	8.72	15.16	---	18.07	
3-1 x 6-10	17.35	---	31.77	---	78.64	11.20	10.78	10.44	17.35	---	20.31	
3-2 x 6-10	18.03	---	33.02	---	78.64	11.78	11.34	10.98	18.03	---	21.01	
4-0 x 6-10	10.58	22.20	19.38	40.66	78.64	11.34	10.90	10.56	10.58	22.20	26.42	
5-0 x 6-10	13.86	28.76	25.38	52.66	78.64	16.86	16.24	15.72	13.86	28.76	33.14	
5-4 x 6-10	14.95	30.94	27.38	56.66	78.64	18.72	18.00	17.44	14.95	30.94	35.37	
6-0 x 6-10	17.14	35.31	31.38	64.66	78.64	22.40	21.56	20.88	17.14	35.31	39.85	
6-2 x 6-10	17.80	36.64	32.60	67.09	78.64	23.56	22.68	21.96	17.80	36.64	41.21	
2-1 x 7-2	11.34	---	19.77	---	82.64	6.01	5.79	5.62	11.34	---	14.27	
2-7 x 7-2	14.79	---	25.77	---	82.64	8.94	8.62	8.37	14.79	---	17.79	
2-9 x 7-2	15.93	---	27.77	---	82.64	9.92	9.57	9.29	15.93	---	18.97	
3-1 x 7-2	18.23	---	31.77	---	82.64	11.88	11.46	11.12	18.23	---	21.32	
3-2 x 7-2	18.95	---	33.02	---	82.64	12.49	12.05	11.69	18.95	---	22.05	
4-0 x 7-2	11.12	23.33	19.38	40.66	82.64	12.02	11.58	11.24	11.12	23.33	27.74	
5-0 x 7-2	14.56	30.22	25.38	52.66	82.64	17.88	17.24	16.74	14.56	30.22	34.78	
5-4 x 7-2	15.71	32.51	27.38	56.66	82.64	19.84	19.14	18.58	15.71	32.51	37.13	
6-0 x 7-2	18.01	37.11	31.38	64.66	82.64	23.76	22.92	22.24	18.01	37.11	41.83	
6-2 x 7-2	18.71	38.50	32.60	67.09	82.64	24.98	24.10	23.38	18.71	38.50	43.26	
2-1 x 8-0	12.72	---	19.77	---	92.64	6.86	6.65	6.48	12.72	---	15.96	
2-7 x 8-0	16.58	---	25.77	---	92.64	10.21	9.89	9.64	16.58	---	19.90	
2-9 x 8-0	17.86	---	27.77	---	92.64	11.33	10.98	10.70	17.86	---	21.21	
3-1 x 8-0	20.44	---	31.77	---	92.64	13.56	13.14	12.80	20.44	---	23.84	
3-2 x 8-0	21.24	---	33.02	---	92.64	14.26	13.82	13.46	21.24	---	24.66	
4-0 x 8-0	12.47	26.16	19.38	40.66	92.64	13.72	13.30	12.96	12.47	26.16	31.02	
5-0 x 8-0	16.33	33.88	25.38	52.66	92.64	20.42	19.78	19.28	16.33	33.88	38.90	
5-4 x 8-0	17.61	36.45	27.38	56.66	92.64	22.66	21.96	21.40	17.61	36.45	41.52	
6-0 x 8-0	20.19	41.60	31.38	64.66	92.64	27.12	26.28	25.60	20.19	41.60	46.77	
6-2 x 8-0	20.97	43.16	32.60	67.09	92.64	28.52	27.64	26.92	20.97	43.16	48.37	
2-1 x 8-2	12.99	---	19.77	---	94.64	7.03	6.82	6.65	12.99	---	16.30	
2-7 x 8-2	16.93	---	25.77	---	94.64	10.47	10.15	9.89	16.93	---	20.32	
2-9 x 8-2	18.25	---	27.77	---	94.64	11.61	11.26	10.98	18.25	---	21.66	
3-1 x 8-2	20.88	---	31.77	---	94.64	13.90	13.48	13.14	20.88	---	24.34	
3-2 x 8-2	21.70	---	33.02	---	94.64	14.62	14.17	13.82	21.70	---	25.18	
4-0 x 8-2	12.74	26.72	19.38	40.66	94.64	14.06	13.64	13.30	12.74	26.72	31.67	
5-0 x 8-2	16.68	34.61	25.38	52.66	94.64	20.94	20.30	19.78	16.68	34.61	39.72	
5-4 x 8-2	17.99	37.24	27.38	56.66	94.64	23.22	22.52	21.96	17.99	37.24	42.40	
6-0 x 8-2	20.62	42.49	31.38	64.66	94.64	27.80	26.96	26.28	20.62	42.49	47.76	
6-2 x 8-2	21.42	44.10	32.60	67.09	94.64	29.24	28.34	27.64	21.42	44.10	49.40	
2-1 x 9-0	14.36	---	19.77	---	104.64	---	7.67	7.50	14.36	---	17.99	
2-7 x 9-0	18.72	---	25.77	---	104.64	---	11.42	11.16	18.72	---	22.43	
2-9 x 9-0	20.18	---	27.77	---	104.64	---	12.67	12.39	20.18	---	23.90	
3-1 x 9-0	23.08	---	31.77	---	104.64	---	15.17	14.83	23.08	---	26.86	
3-2 x 9-0	23.99	---	33.02	---	104.64	---	15.95	15.59	23.99	---	27.79	
4-0 x 9-0	14.08	29.54	19.38	40.66	104.64	---	15.34	15.00	14.08	29.54	34.96	
5-0 x 9-0	18.44	38.26	25.38	52.66	104.64	---	22.84	22.32	18.44	38.26	43.83	
5-4 x 9-0	19.89	41.17	27.38	56.66	104.64	---	25.34	24.78	19.89	41.17	46.79	
6-0 x 9-0	22.80	46.98	31.38	64.66	104.64	---	30.34	29.66	22.80	46.98	52.71	
6-2 x 9-0	23.69	48.75	32.60	67.09	104.64	---	31.90	31.18	23.69	48.75	54.51	

# PREMIUM SERIES IN SWING HINGED PATIO DOORS ADA SILL – 1-3/4" PANEL (8510)

## Opening Specifications

Ordering Size	Sq. Ft. Clear Opening		Clear Opening <sup>a</sup>				Sq. Ft. Daylight Opening			Sq. Ft. Vent		Sq. Ft. Overall Unit Area <sup>b</sup>
	1 Oper. Panel	2 Oper. Panels	Width		Height	7-1/2" Bottom Rail	10" Bottom Rail	12" Bottom Rail	1 Oper. Panel	2 Oper. Panels		
			1 Oper. Panel	2 Oper. Panels								
2-1 x 10-0	16.01	---	19.77	---	116.64	---	8.69	8.52	16.01	---	20.01	
2-7 x 10-0	20.87	---	25.77	---	116.64	---	12.94	12.69	20.87	---	24.95	
2-9 x 10-0	22.49	---	27.77	---	116.64	---	14.36	14.08	22.49	---	26.60	
3-1 x 10-0	25.73	---	31.77	---	116.64	---	17.19	16.85	25.73	---	29.89	
3-2 x 10-0	26.74	---	33.02	---	116.64	---	18.07	17.72	26.74	---	30.92	
4-0 x 10-0	15.70	32.93	19.38	40.66	116.64	---	17.38	17.04	15.70	32.93	38.89	
5-0 x 10-0	20.56	42.65	25.38	52.66	116.64	---	25.88	25.38	20.56	42.65	48.77	
5-4 x 10-0	22.18	45.89	27.38	56.66	116.64	---	28.72	28.16	22.18	45.89	52.06	
6-0 x 10-0	25.42	52.37	31.38	64.66	116.64	---	34.38	33.70	25.42	52.37	58.65	
6-2 x 10-0	26.40	54.35	32.60	67.09	116.64	---	36.14	35.44	26.40	54.35	60.65	

<sup>a</sup> All calculations assume operating panel is open 90 degrees.

<sup>b</sup> Sq. Ft. Overall Unit Area is calculated on the jamb dimension.



# PREMIUM SERIES IN SWING HINGED PATIO DOORS STANDARD SILL – 2-1/4" PANEL (8511)

## Opening Specifications

Ordering Size	Sq. Ft. Clear Opening		Clear Opening <sup>a</sup>				Sq. Ft. Daylight Opening		Sq. Ft. Vent		Sq. Ft. Overall Unit Area <sup>b</sup>
	1 Oper. Panel	2 Oper. Panels	Width		Height	10" Bottom Rail	12" Bottom Rail	1 Oper. Panel	2 Oper. Panels		
			1 Oper. Panel	2 Oper. Panels							
2-1 x 6-8	10.13	---	19.16	---	76.18	5.24	5.07	10.13	---	13.43	
2-7 x 6-8	13.31	---	25.16	---	76.18	7.80	7.55	13.31	---	16.74	
2-9 x 6-8	14.37	---	27.16	---	76.18	8.65	8.37	14.37	---	17.85	
3-1 x 6-8	16.48	---	31.16	---	76.18	10.36	10.02	16.48	---	20.06	
3-2 x 6-8	17.14	---	32.41	---	76.18	10.89	10.54	17.14	---	20.75	
4-0 x 6-8	22.27	20.38	42.09	38.53	76.18	10.48	10.14	22.27	20.38	26.10	
5-0 x 6-8	28.62	26.73	54.09	50.53	76.18	15.60	15.10	28.62	26.73	32.72	
5-4 x 6-8	30.73	28.85	58.09	54.53	76.18	17.30	16.74	30.73	28.85	34.93	
6-0 x 6-8	34.97	33.08	66.09	62.53	76.18	20.72	20.04	34.97	33.08	39.35	
6-2 x 6-8	36.26	34.37	68.53	64.96	76.18	21.78	21.08	36.26	34.37	40.70	
2-1 x 6-10	10.47	---	19.16	---	78.68	5.45	5.28	10.47	---	13.85	
2-7 x 6-10	13.75	---	25.16	---	78.68	8.12	7.86	13.75	---	17.27	
2-9 x 6-10	14.84	---	27.16	---	78.68	9.00	8.72	14.84	---	18.41	
3-1 x 6-10	17.02	---	31.16	---	78.68	10.78	10.44	17.02	---	20.69	
3-2 x 6-10	17.71	---	32.41	---	78.68	11.34	10.98	17.71	---	21.40	
4-0 x 6-10	23.00	21.05	42.09	38.53	78.68	10.90	10.56	23.00	21.05	26.92	
5-0 x 6-10	29.56	27.61	54.09	50.53	78.68	16.24	15.72	29.56	27.61	33.75	
5-4 x 6-10	31.74	29.79	58.09	54.53	78.68	18.00	17.44	31.74	29.79	36.03	
6-0 x 6-10	36.11	34.16	66.09	62.53	78.68	21.56	20.88	36.11	34.16	40.59	
6-2 x 6-10	37.45	35.50	68.53	64.96	78.68	22.68	21.96	37.45	35.50	41.98	
2-1 x 7-2	11.00	---	19.16	---	82.68	5.79	5.62	11.00	---	14.53	
2-7 x 7-2	14.44	---	25.16	---	82.68	8.62	8.37	14.44	---	18.11	
2-9 x 7-2	15.59	---	27.16	---	82.68	9.57	9.29	15.59	---	19.30	
3-1 x 7-2	17.89	---	31.16	---	82.68	11.46	11.12	17.89	---	21.69	
3-2 x 7-2	18.61	---	32.41	---	82.68	12.05	11.69	18.61	---	22.44	
4-0 x 7-2	24.17	22.12	42.09	38.53	82.68	11.58	11.24	24.17	22.12	28.23	
5-0 x 7-2	31.06	29.01	54.09	50.53	82.68	17.24	16.74	31.06	29.01	35.40	
5-4 x 7-2	33.36	31.31	58.09	54.53	82.68	19.14	18.58	33.36	31.31	37.79	
6-0 x 7-2	37.95	35.90	66.09	62.53	82.68	22.92	22.24	37.95	35.90	42.57	
6-2 x 7-2	39.35	37.30	68.53	64.96	82.68	24.10	23.38	39.35	37.30	44.02	
2-1 x 8-0	12.33	---	19.16	---	92.68	6.65	6.48	12.33	---	16.21	
2-7 x 8-0	16.19	---	25.16	---	92.68	9.89	9.64	16.19	---	20.21	
2-9 x 8-0	17.48	---	27.16	---	92.68	10.98	10.70	17.48	---	21.55	
3-1 x 8-0	20.05	---	31.16	---	92.68	13.14	12.80	20.05	---	24.22	
3-2 x 8-0	20.86	---	32.41	---	92.68	13.82	13.46	20.86	---	25.05	
4-0 x 8-0	27.09	24.80	42.09	38.53	92.68	13.30	12.96	27.09	24.80	31.51	
5-0 x 8-0	34.82	32.52	54.09	50.53	92.68	19.78	19.28	34.82	32.52	39.51	
5-4 x 8-0	37.39	35.09	58.09	54.53	92.68	21.96	21.40	37.39	35.09	42.18	
6-0 x 8-0	42.54	40.24	66.09	62.53	92.68	26.28	25.60	42.54	40.24	47.52	
6-2 x 8-0	44.11	41.81	68.53	64.96	92.68	27.64	26.92	44.11	41.81	49.14	
2-1 x 8-2	12.60	---	19.16	---	94.68	6.82	6.65	12.60	---	16.55	
2-7 x 8-2	16.54	---	25.16	---	94.68	10.15	9.89	16.54	---	20.64	
2-9 x 8-2	17.86	---	27.16	---	94.68	11.26	10.98	17.86	---	22.00	
3-1 x 8-2	20.49	---	31.16	---	94.68	13.48	13.14	20.49	---	24.72	
3-2 x 8-2	21.31	---	32.41	---	94.68	14.17	13.82	21.31	---	25.57	
4-0 x 8-2	27.68	25.33	42.09	38.53	94.68	13.64	13.30	27.68	25.33	32.17	
5-0 x 8-2	35.57	33.22	54.09	50.53	94.68	20.30	19.78	35.57	33.22	40.34	
5-4 x 8-2	38.20	35.85	58.09	54.53	94.68	22.52	21.96	38.20	35.85	43.06	
6-0 x 8-2	43.46	41.11	66.09	62.53	94.68	26.96	26.28	43.46	41.11	48.51	
6-2 x 8-2	45.06	42.71	68.53	64.96	94.68	28.34	27.64	45.06	42.71	50.16	
2-1 x 9-0	13.93	---	19.16	---	104.68	7.67	7.50	13.93	---	18.24	
2-7 x 9-0	18.29	---	25.16	---	104.68	11.42	11.16	18.29	---	22.74	
2-9 x 9-0	19.74	---	27.16	---	104.68	12.67	12.39	19.74	---	24.24	
3-1 x 9-0	22.65	---	31.16	---	104.68	15.17	14.83	22.65	---	27.24	
3-2 x 9-0	23.56	---	32.41	---	104.68	15.95	15.59	23.56	---	28.18	
4-0 x 9-0	30.60	28.01	42.09	38.53	104.68	15.34	15.00	30.60	28.01	35.45	
5-0 x 9-0	39.32	36.73	54.09	50.53	104.68	22.84	22.32	39.32	36.73	44.45	
5-4 x 9-0	42.23	39.64	58.09	54.53	104.68	25.34	24.78	42.23	39.64	47.45	
6-0 x 9-0	48.05	45.45	66.09	62.53	104.68	30.34	29.66	48.05	45.45	53.45	
6-2 x 9-0	49.82	47.23	68.53	64.96	104.68	31.90	31.18	49.82	47.23	55.28	

# PREMIUM SERIES IN SWING HINGED PATIO DOORS STANDARD SILL – 2-1/4" PANEL (8511)

## Opening Specifications

Ordering Size	Sq. Ft. Clear Opening		Clear Opening <sup>a</sup>			Sq. Ft. Daylight Opening		Sq. Ft. Vent		Sq. Ft. Overall Unit Area <sup>b</sup>
	1 Oper. Panel	2 Oper. Panels	Width		Height	10" Bottom Rail	12" Bottom Rail	1 Oper. Panel	2 Oper. Panels	
			1 Oper. Panel	2 Oper. Panels						
2-1 x 10-0	15.52	---	19.16	---	116.68	8.69	8.52	15.52	---	20.27
2-7 x 10-0	20.38	---	25.16	---	116.68	12.94	12.69	20.38	---	25.27
2-9 x 10-0	22.00	---	27.16	---	116.68	14.36	14.08	22.00	---	26.93
3-1 x 10-0	25.25	---	31.16	---	116.68	17.19	16.85	25.25	---	30.27
3-2 x 10-0	26.26	---	32.41	---	116.68	18.07	17.72	26.26	---	31.31
4-0 x 10-0	34.11	31.22	42.09	38.53	116.68	17.38	17.04	34.11	31.22	39.39
5-0 x 10-0	43.83	40.94	54.09	50.53	116.68	25.88	25.38	43.83	40.94	49.39
5-4 x 10-0	47.07	44.18	58.09	54.53	116.68	28.72	28.16	47.07	44.18	52.72
6-0 x 10-0	53.56	50.66	66.09	62.53	116.68	34.38	33.70	53.56	50.66	59.39
6-2 x 10-0	55.53	52.64	68.53	64.96	116.68	36.14	35.44	55.53	52.64	61.42

<sup>a</sup> All calculations assume operating panel is open 90 degrees.

<sup>b</sup> Sq. Ft. Overall Unit Area is calculated on the jamb dimension.

# PREMIUM SERIES INSWING HINGED PATIO DOORS ADA SILL – 2-1/4" PANEL (8511)

## Opening Specifications

Ordering Size	Sq. Ft. Clear Opening		Clear Opening <sup>a</sup>			Sq. Ft. Daylight Opening		Sq. Ft. Vent		Sq. Ft. Overall Unit Area <sup>b</sup>
	1 Oper. Panel	2 Oper. Panels	Width		Height	10" Bottom Rail	12" Bottom Rail	1 Oper. Panel	2 Oper. Panels	
			1 Oper. Panel	2 Oper. Panels						
2-1 x 6-8	10.13	---	19.16	---	76.14	5.24	5.07	10.13	---	13.17
2-7 x 6-8	13.30	---	25.16	---	76.14	7.80	7.55	13.30	---	16.43
2-9 x 6-8	14.36	---	27.16	---	76.14	8.65	8.37	14.36	---	17.51
3-1 x 6-8	16.47	---	31.16	---	76.14	10.36	10.02	16.47	---	19.68
3-2 x 6-8	17.14	---	32.41	---	76.14	10.89	10.54	17.14	---	20.35
4-0 x 6-8	22.26	20.37	42.09	38.53	76.14	10.48	10.14	22.26	20.37	25.60
5-0 x 6-8	28.60	26.72	54.09	50.53	76.14	15.60	15.10	28.60	26.72	32.11
5-4 x 6-8	30.72	28.83	58.09	54.53	76.14	17.30	16.74	30.72	28.83	34.27
6-0 x 6-8	34.95	33.06	66.09	62.53	76.14	20.72	20.04	34.95	33.06	38.61
6-2 x 6-8	36.24	34.35	68.53	64.96	76.14	21.78	21.08	36.24	34.35	39.93
2-1 x 6-10	10.46	---	19.16	---	78.64	5.45	5.28	10.46	---	13.60
2-7 x 6-10	13.74	---	25.16	---	78.64	8.12	7.86	13.74	---	16.95
2-9 x 6-10	14.83	---	27.16	---	78.64	9.00	8.72	14.83	---	18.07
3-1 x 6-10	17.02	---	31.16	---	78.64	10.78	10.44	17.02	---	20.31
3-2 x 6-10	17.70	---	32.41	---	78.64	11.34	10.98	17.70	---	21.01
4-0 x 6-10	22.99	21.04	42.09	38.53	78.64	10.90	10.56	22.99	21.04	26.42
5-0 x 6-10	29.54	27.59	54.09	50.53	78.64	16.24	15.72	29.54	27.59	33.14
5-4 x 6-10	31.73	29.78	58.09	54.53	78.64	18.00	17.44	31.73	29.78	35.37
6-0 x 6-10	36.10	34.15	66.09	62.53	78.64	21.56	20.88	36.10	34.15	39.85
6-2 x 6-10	37.43	35.48	68.53	64.96	78.64	22.68	21.96	37.43	35.48	41.21
2-1 x 7-2	10.99	---	19.16	---	82.64	5.79	5.62	10.99	---	14.27
2-7 x 7-2	14.44	---	25.16	---	82.64	8.62	8.37	14.44	---	17.79
2-9 x 7-2	15.59	---	27.16	---	82.64	9.57	9.29	15.59	---	18.97
3-1 x 7-2	17.88	---	31.16	---	82.64	11.46	11.12	17.88	---	21.32
3-2 x 7-2	18.60	---	32.41	---	82.64	12.05	11.69	18.60	---	22.05
4-0 x 7-2	24.16	22.11	42.09	38.53	82.64	11.58	11.24	24.16	22.11	27.74
5-0 x 7-2	31.04	29.00	54.09	50.53	82.64	17.24	16.74	31.04	29.00	34.78
5-4 x 7-2	33.34	31.29	58.09	54.53	82.64	19.14	18.58	33.34	31.29	37.13
6-0 x 7-2	37.93	35.88	66.09	62.53	82.64	22.92	22.24	37.93	35.88	41.83
6-2 x 7-2	39.33	37.28	68.53	64.96	82.64	24.10	23.38	39.33	37.28	43.26
2-1 x 8-0	12.32	---	19.16	---	92.64	6.65	6.48	12.32	---	15.96
2-7 x 8-0	16.18	---	25.16	---	92.64	9.89	9.64	16.18	---	19.90
2-9 x 8-0	17.47	---	27.16	---	92.64	10.98	10.70	17.47	---	21.21
3-1 x 8-0	20.04	---	31.16	---	92.64	13.14	12.80	20.04	---	23.84
3-2 x 8-0	20.85	---	32.41	---	92.64	13.82	13.46	20.85	---	24.66
4-0 x 8-0	27.08	24.79	42.09	38.53	92.64	13.30	12.96	27.08	24.79	31.02
5-0 x 8-0	34.80	32.51	54.09	50.53	92.64	19.78	19.28	34.80	32.51	38.90
5-4 x 8-0	37.37	35.08	58.09	54.53	92.64	21.96	21.40	37.37	35.08	41.52
6-0 x 8-0	42.52	40.23	66.09	62.53	92.64	26.28	25.60	42.52	40.23	46.77
6-2 x 8-0	44.09	41.79	68.53	64.96	92.64	27.64	26.92	44.09	41.79	48.37
2-1 x 8-2	12.59	---	19.16	---	94.64	6.82	6.65	12.59	---	16.30
2-7 x 8-2	16.53	---	25.16	---	94.64	10.15	9.89	16.53	---	20.32
2-9 x 8-2	17.85	---	27.16	---	94.64	11.26	10.98	17.85	---	21.66
3-1 x 8-2	20.48	---	31.16	---	94.64	13.48	13.14	20.48	---	24.34
3-2 x 8-2	21.30	---	32.41	---	94.64	14.17	13.82	21.30	---	25.18
4-0 x 8-2	27.67	25.32	42.09	38.53	94.64	13.64	13.30	27.67	25.32	31.67
5-0 x 8-2	35.55	33.21	54.09	50.53	94.64	20.30	19.78	35.55	33.21	39.72
5-4 x 8-2	38.18	35.84	58.09	54.53	94.64	22.52	21.96	38.18	35.84	42.40
6-0 x 8-2	43.44	41.09	66.09	62.53	94.64	26.96	26.28	43.44	41.09	47.76
6-2 x 8-2	45.04	42.70	68.53	64.96	94.64	28.34	27.64	45.04	42.70	49.40
2-1 x 9-0	13.92	---	19.16	---	104.64	7.67	7.50	13.92	---	17.99
2-7 x 9-0	18.28	---	25.16	---	104.64	11.42	11.16	18.28	---	22.43
2-9 x 9-0	19.73	---	27.16	---	104.64	12.67	12.39	19.73	---	23.90
3-1 x 9-0	22.64	---	31.16	---	104.64	15.17	14.83	22.64	---	26.86
3-2 x 9-0	23.55	---	32.41	---	104.64	15.95	15.59	23.55	---	27.79
4-0 x 9-0	30.59	28.00	42.09	38.53	104.64	15.34	15.00	30.59	28.00	34.96
5-0 x 9-0	39.31	36.72	54.09	50.53	104.64	22.84	22.32	39.31	36.72	43.83
5-4 x 9-0	42.22	39.62	58.09	54.53	104.64	25.34	24.78	42.22	39.62	46.79
6-0 x 9-0	48.03	45.44	66.09	62.53	104.64	30.34	29.66	48.03	45.44	52.71
6-2 x 9-0	49.80	47.21	68.53	64.96	104.64	31.90	31.18	49.80	47.21	54.51

# PREMIUM SERIES IN SWING HINGED PATIO DOORS ADA SILL – 2-1/4" PANEL (8511)

## Opening Specifications

Ordering Size	Sq. Ft. Clear Opening		Clear Opening <sup>a</sup>			Sq. Ft. Daylight Opening		Sq. Ft. Vent		Sq. Ft. Overall Unit Area <sup>b</sup>
	1 Oper. Panel	2 Oper. Panels	Width		Height	10" Bottom Rail	12" Bottom Rail	1 Oper. Panel	2 Oper. Panels	
			1 Oper. Panel	2 Oper. Panels						
2-1 x 10-0	15.52	---	19.16	---	116.64	8.69	8.52	15.52	---	20.01
2-7 x 10-0	20.38	---	25.16	---	116.64	12.94	12.69	20.38	---	24.95
2-9 x 10-0	22.00	---	27.16	---	116.64	14.36	14.08	22.00	---	26.60
3-1 x 10-0	25.24	---	31.16	---	116.64	17.19	16.85	25.24	---	29.89
3-2 x 10-0	26.25	---	32.41	---	116.64	18.07	17.72	26.25	---	30.92
4-0 x 10-0	34.10	31.21	42.09	38.53	116.64	17.38	17.04	34.10	31.21	38.89
5-0 x 10-0	43.82	40.93	54.09	50.53	116.64	25.88	25.38	43.82	40.93	48.77
5-4 x 10-0	47.06	44.17	58.09	54.53	116.64	28.72	28.16	47.06	44.17	52.06
6-0 x 10-0	53.54	50.65	66.09	62.53	116.64	34.38	33.70	53.54	50.65	58.65
6-2 x 10-0	55.51	52.62	68.53	64.96	116.64	36.14	35.44	55.51	52.62	60.65

<sup>a</sup> All calculations assume operating panel is open 90 degrees.

<sup>b</sup> Sq. Ft. Overall Unit Area is calculated on the jamb dimension.

# PREMIUM SERIES

## CENTER HINGED PATIO DOORS – 1-3/4" PANEL (8510)

### Opening Specifications

Unit Code	Sq. Ft. Clear Opening		Clear Opening <sup>a</sup>				Sq. Ft. Daylight Opening			Sq. Ft. Vent		Sq. Ft. Overall Unit Area <sup>b</sup>
	Hinge Code R/S S/L R/S/S S/S/L	Hinge Code S/R/S S/L/S	Width		Height <sup>c</sup>	7-1/2" Bottom Rail	10" Bottom Rail	12" Bottom Rail	Hinge Code R/S S/R R/S/S S/S/L	Hinge Code S/R/S S/L/S		
			Hinge Code R/S S/R R/S/S S/S/L	Hinge Code S/R/S S/L/S								
5-0 x 6-8	13.56	---	25.63	---	76.18	16.24	15.60	15.10	13.56	---	32.72	
6-0 x 6-8	16.73	---	31.63	---	76.18	21.56	20.72	20.04	16.73	---	39.35	
6-2 x 6-8	17.38	---	32.85	---	76.18	22.68	21.78	21.08	17.38	---	40.70	
7-5 x 6-8	13.56	13.64	25.63	25.79	76.18	24.36	23.40	22.65	13.56	13.64	48.71	
7-11 x 6-8	14.62	14.70	27.63	27.79	76.18	27.00	25.95	25.11	14.62	14.70	52.02	
8-11 x 6-8	16.73	16.82	31.63	31.79	76.18	32.34	31.08	30.06	16.73	16.82	58.65	
5-0 x 6-10	14.00	---	25.63	---	78.68	16.86	16.24	15.72	14.00	---	33.75	
6-0 x 6-10	17.28	---	31.63	---	78.68	22.40	21.56	20.88	17.28	---	40.59	
6-2 x 6-10	17.95	---	32.85	---	78.68	23.56	22.68	21.96	17.95	---	41.98	
7-5 x 6-10	14.00	14.09	25.63	25.79	78.68	25.29	24.36	23.58	14.00	14.09	50.24	
7-11 x 6-10	15.10	15.18	27.63	27.79	78.68	28.08	27.00	26.16	15.10	15.18	53.65	
8-11 x 6-10	17.28	17.37	31.63	31.79	78.68	33.60	32.34	31.32	17.28	17.37	60.49	
5-0 x 7-2	14.72	---	25.63	---	82.68	17.88	17.24	16.74	14.72	---	35.40	
6-0 x 7-2	18.16	---	31.63	---	82.68	23.76	22.92	22.24	18.16	---	42.57	
6-2 x 7-2	18.86	---	32.85	---	82.68	24.98	24.10	23.38	18.86	---	44.02	
7-5 x 7-2	14.72	14.81	25.63	25.79	82.68	26.82	25.86	25.11	14.72	14.81	52.69	
7-11 x 7-2	15.86	15.96	27.63	27.79	82.68	29.76	28.71	27.87	15.86	15.96	56.27	
8-11 x 7-2	18.16	18.25	31.63	31.79	82.68	35.64	34.38	33.36	18.16	18.25	63.44	
5-0 x 8-0	16.50	---	25.63	---	92.68	20.42	19.78	19.28	16.50	---	39.51	
6-0 x 8-0	20.36	---	31.63	---	92.68	27.12	26.28	25.60	20.36	---	47.52	
6-2 x 8-0	21.14	---	32.85	---	92.68	28.52	27.64	26.92	21.14	---	49.14	
7-5 x 8-0	16.50	16.60	25.63	25.79	92.68	30.63	29.67	28.92	16.50	16.60	58.81	
7-11 x 8-0	17.78	17.89	27.63	27.79	92.68	33.99	32.94	32.10	17.78	17.89	62.81	
8-11 x 8-0	20.36	20.46	31.63	31.79	92.68	40.68	39.42	38.40	20.36	20.46	70.81	
5-0 x 8-2	16.85	---	25.63	---	94.68	20.94	20.30	19.78	16.85	---	40.34	
6-0 x 8-2	20.80	---	31.63	---	94.68	27.80	26.96	26.28	20.80	---	48.51	
6-2 x 8-2	21.60	---	32.85	---	94.68	29.24	28.34	27.64	21.60	---	50.16	
7-5 x 8-2	16.85	16.96	25.63	25.79	94.68	31.41	30.45	29.67	16.85	16.96	60.04	
7-11 x 8-2	18.17	18.27	27.63	27.79	94.68	34.83	33.78	32.94	18.17	18.27	64.12	
8-11 x 8-2	20.80	20.90	31.63	31.79	94.68	41.70	40.44	39.42	20.80	20.90	72.29	
5-0 x 9-0	18.63	---	25.63	---	104.68	---	22.84	22.32	18.63	---	44.45	
6-0 x 9-0	22.99	---	31.63	---	104.68	---	30.34	29.66	22.99	---	53.45	
6-2 x 9-0	23.88	---	32.85	---	104.68	---	31.90	31.18	23.88	---	55.28	
5-0 x 10-0	20.77	---	25.63	---	116.68	---	25.88	25.38	20.77	---	49.39	
6-0 x 10-0	25.63	---	31.63	---	116.68	---	34.38	33.70	25.63	---	59.39	
6-2 x 10-0	26.62	---	32.85	---	116.68	---	36.14	35.44	26.62	---	61.42	

<sup>a</sup> All calculations assume operating panel is open 90 degrees.

<sup>b</sup> Sq. Ft. Overall Unit Area is calculated on the jamb dimension.

<sup>c</sup> Clear Opening Height dimensions calculated without screen.

# PREMIUM SERIES CENTER HINGED PATIO DOORS – 2-1/4" PANEL (8511)

## Opening Specifications

Unit Code	Sq. Ft. Clear Opening		Clear Opening <sup>a</sup>				Sq. Ft. Daylight Opening		Sq. Ft. Vent		Sq. Ft. Overall Unit Area <sup>b</sup>
	Hinge Code R/S S/L R/S/S S/S/L	Hinge Code S/R/S S/L/S	Width		Height <sup>c</sup>	10" Bottom Rail	12" Bottom Rail	Hinge Code R/S S/R R/S/S S/S/L	Hinge Code S/R/S S/L/S		
			Hinge Code R/S S/R R/S/S S/S/L	Hinge Code S/R/S S/L/S							
5-0 x 6-8	13.29	---	25.13	---	76.18	15.60	15.10	13.29	---	32.72	
6-0 x 6-8	16.47	---	31.13	---	76.18	20.72	20.04	16.47	---	39.35	
6-2 x 6-8	17.11	---	32.35	---	76.18	21.78	21.08	17.11	---	40.70	
7-5 x 6-8	13.29	13.38	25.13	25.29	76.18	23.40	22.65	13.29	13.38	48.71	
7-11 x 6-8	14.35	14.44	27.13	27.29	76.18	25.95	25.11	14.35	14.44	52.02	
8-11 x 6-8	16.47	16.55	31.13	31.29	76.18	31.08	30.06	16.47	16.55	58.65	
5-0 x 6-10	13.73	---	25.13	---	78.68	16.24	15.72	13.73	---	33.75	
6-0 x 6-10	17.01	---	31.13	---	78.68	21.56	20.88	17.01	---	40.59	
6-2 x 6-10	17.68	---	32.35	---	78.68	22.68	21.96	17.68	---	41.98	
7-5 x 6-10	13.73	13.82	25.13	25.29	78.68	24.36	23.58	13.73	13.82	50.24	
7-11 x 6-10	14.82	14.91	27.13	27.29	78.68	27.00	26.16	14.82	14.91	53.65	
8-11 x 6-10	17.01	17.10	31.13	31.29	78.68	32.34	31.32	17.01	17.10	60.49	
5-0 x 7-2	14.43	---	25.13	---	82.68	17.24	16.74	14.43	---	35.40	
6-0 x 7-2	17.87	---	31.13	---	82.68	22.92	22.24	17.87	---	42.57	
6-2 x 7-2	18.57	---	32.35	---	82.68	24.10	23.38	18.57	---	44.02	
7-5 x 7-2	14.43	14.52	25.13	25.29	82.68	25.86	25.11	14.43	14.52	52.69	
7-11 x 7-2	15.58	15.67	27.13	27.29	82.68	28.71	27.87	15.58	15.67	56.27	
8-11 x 7-2	17.87	17.97	31.13	31.29	82.68	34.38	33.36	17.87	17.97	63.44	
5-0 x 8-0	16.17	---	25.13	---	92.68	19.78	19.28	16.17	---	39.51	
6-0 x 8-0	20.04	---	31.13	---	92.68	26.28	25.60	20.04	---	47.52	
6-2 x 8-0	20.82	---	32.35	---	92.68	27.64	26.92	20.82	---	49.14	
7-5 x 8-0	16.17	16.28	25.13	25.29	92.68	29.67	28.92	16.17	16.28	58.81	
7-11 x 8-0	17.46	17.56	27.13	27.29	92.68	32.94	32.10	17.46	17.56	62.81	
8-11 x 8-0	20.04	20.14	31.13	31.29	92.68	39.42	38.40	20.04	20.14	70.81	
5-0 x 8-2	16.52	---	25.13	---	94.68	20.30	19.78	16.52	---	40.34	
6-0 x 8-2	20.47	---	31.13	---	94.68	26.96	26.28	20.47	---	48.51	
6-2 x 8-2	21.27	---	32.35	---	94.68	28.34	27.64	21.27	---	50.16	
7-5 x 8-2	16.52	16.63	25.13	25.29	94.68	30.45	29.67	16.52	16.63	60.04	
7-11 x 8-2	17.84	17.94	27.13	27.29	94.68	33.78	32.94	17.84	17.94	64.12	
8-11 x 8-2	20.47	20.57	31.13	31.29	94.68	40.44	39.42	20.47	20.57	72.29	
5-0 x 9-0	18.27	---	25.13	---	104.68	22.84	22.32	18.27	---	44.45	
6-0 x 9-0	22.63	---	31.13	---	104.68	30.34	29.66	22.63	---	53.45	
6-2 x 9-0	23.52	---	32.35	---	104.68	31.90	31.18	23.52	---	55.28	
5-0 x 10-0	12.55	---	15.48	---	116.68	25.88	25.38	12.55	---	49.39	
6-0 x 10-0	15.79	---	19.48	---	116.68	34.38	33.70	15.79	---	59.39	
6-2 x 10-0	16.45	---	20.30	---	116.68	36.14	35.44	16.45	---	61.42	

<sup>a</sup> All calculations assume operating panel is open 90 degrees.

<sup>b</sup> Sq. Ft. Overall Unit Area is calculated on the jamb dimension.

<sup>c</sup> Clear Opening Height dimensions calculated without screen.

# PREMIUM SERIES OUTSWING HINGED PATIO DOORS STANDARD SILL – 1-3/4" PANEL (8610)

## Opening Specifications

Ordering Size	Sq. Ft. Clear Opening		Clear Opening <sup>a</sup>				Sq. Ft. Daylight Opening			Sq. Ft. Vent		Sq. Ft. Overall Unit Area <sup>b</sup>
	1 Oper. Panel	2 Oper. Panels	Width		Height	7-1/2" Bottom Rail	10" Bottom Rail	12" Bottom Rail	1 Oper. Panel	2 Oper. Panels		
			1 Oper. Panel	2 Oper. Panels								
2-1 x 6-8	10.36	---	19.77	---	75.48	5.45	5.24	5.07	10.36	---	13.43	
2-7 x 6-8	13.51	---	25.77	---	75.48	8.12	7.80	7.55	13.51	---	16.74	
2-9 x 6-8	14.55	---	27.77	---	75.48	9.00	8.65	8.37	14.55	---	17.85	
3-1 x 6-8	16.65	---	31.77	---	75.48	10.78	10.36	10.02	16.65	---	20.06	
3-2 x 6-8	17.31	---	33.02	---	75.48	11.34	10.89	10.54	17.31	---	20.75	
4-0 x 6-8	10.19	20.89	19.44	39.85	75.48	10.90	10.48	10.14	10.19	20.89	26.10	
5-0 x 6-8	13.34	27.18	25.44	51.85	75.48	16.24	15.60	15.10	13.34	27.18	32.72	
5-4 x 6-8	14.38	29.28	27.44	55.85	75.48	18.00	17.30	16.74	14.38	29.28	34.93	
6-0 x 6-8	16.48	33.47	31.44	63.85	75.48	21.56	20.72	20.04	16.48	33.47	39.35	
6-2 x 6-8	17.12	34.75	32.66	66.29	75.48	22.68	21.78	21.08	17.12	34.75	40.70	
2-1 x 6-10	10.70	---	19.77	---	77.98	5.67	5.45	5.28	10.70	---	13.85	
2-7 x 6-10	13.95	---	25.77	---	77.98	8.43	8.12	7.86	13.95	---	17.27	
2-9 x 6-10	15.04	---	27.77	---	77.98	9.36	9.00	8.72	15.04	---	18.41	
3-1 x 6-10	17.20	---	31.77	---	77.98	11.20	10.78	10.44	17.20	---	20.69	
3-2 x 6-10	17.88	---	33.02	---	77.98	11.78	11.34	10.98	17.88	---	21.40	
4-0 x 6-10	10.53	21.58	19.44	39.85	77.98	11.34	10.90	10.56	10.53	21.58	26.92	
5-0 x 6-10	13.78	28.08	25.44	51.85	77.98	16.86	16.24	15.72	13.78	28.08	33.75	
5-4 x 6-10	14.86	30.24	27.44	55.85	77.98	18.72	18.00	17.44	14.86	30.24	36.03	
6-0 x 6-10	17.03	34.58	31.44	63.85	77.98	22.40	21.56	20.88	17.03	34.58	40.59	
6-2 x 6-10	17.69	35.90	32.66	66.29	77.98	23.56	22.68	21.96	17.69	35.90	41.98	
2-1 x 7-2	11.25	---	19.77	---	81.98	6.01	5.79	5.62	11.25	---	14.53	
2-7 x 7-2	14.67	---	25.77	---	81.98	8.94	8.62	8.37	14.67	---	18.11	
2-9 x 7-2	15.81	---	27.77	---	81.98	9.92	9.57	9.29	15.81	---	19.30	
3-1 x 7-2	18.08	---	31.77	---	81.98	11.88	11.46	11.12	18.08	---	21.69	
3-2 x 7-2	18.80	---	33.02	---	81.98	12.49	12.05	11.69	18.80	---	22.44	
4-0 x 7-2	11.07	22.69	19.44	39.85	81.98	12.02	11.58	11.24	11.07	22.69	28.23	
5-0 x 7-2	14.48	29.52	25.44	51.85	81.98	17.88	17.24	16.74	14.48	29.52	35.40	
5-4 x 7-2	15.62	31.80	27.44	55.85	81.98	19.84	19.14	18.58	15.62	31.80	37.79	
6-0 x 7-2	17.90	36.35	31.44	63.85	81.98	23.76	22.92	22.24	17.90	36.35	42.57	
6-2 x 7-2	18.59	37.74	32.66	66.29	81.98	24.98	24.10	23.38	18.59	37.74	44.02	
2-1 x 8-0	12.63	---	19.77	---	91.98	6.86	6.65	6.48	12.63	---	16.21	
2-7 x 8-0	16.46	---	25.77	---	91.98	10.21	9.89	9.64	16.46	---	20.21	
2-9 x 8-0	17.74	---	27.77	---	91.98	11.33	10.98	10.70	17.74	---	21.55	
3-1 x 8-0	20.29	---	31.77	---	91.98	13.56	13.14	12.80	20.29	---	24.22	
3-2 x 8-0	21.09	---	33.02	---	91.98	14.26	13.82	13.46	21.09	---	25.05	
4-0 x 8-0	12.42	25.45	19.44	39.85	91.98	13.72	13.30	12.96	12.42	25.45	31.51	
5-0 x 8-0	16.25	33.12	25.44	51.85	91.98	20.42	19.78	19.28	16.25	33.12	39.51	
5-4 x 8-0	17.53	35.67	27.44	55.85	91.98	22.66	21.96	21.40	17.53	35.67	42.18	
6-0 x 8-0	20.08	40.78	31.44	63.85	91.98	27.12	26.28	25.60	20.08	40.78	47.52	
6-2 x 8-0	20.86	42.34	32.66	66.29	91.98	28.52	27.64	26.92	20.86	42.34	49.14	
2-1 x 8-2	12.90	---	19.77	---	93.98	7.03	6.82	6.65	12.90	---	16.55	
2-7 x 8-2	16.82	---	25.77	---	93.98	10.47	10.15	9.89	16.82	---	20.64	
2-9 x 8-2	18.12	---	27.77	---	93.98	11.61	11.26	10.98	18.12	---	22.00	
3-1 x 8-2	20.73	---	31.77	---	93.98	13.90	13.48	13.14	20.73	---	24.72	
3-2 x 8-2	21.55	---	33.02	---	93.98	14.62	14.17	13.82	21.55	---	25.57	
4-0 x 8-2	12.69	26.01	19.44	39.85	93.98	14.06	13.64	13.30	12.69	26.01	32.17	
5-0 x 8-2	16.60	33.84	25.44	51.85	93.98	20.94	20.30	19.78	16.60	33.84	40.34	
5-4 x 8-2	17.91	36.45	27.44	55.85	93.98	23.22	22.52	21.96	17.91	36.45	43.06	
6-0 x 8-2	20.52	41.67	31.44	63.85	93.98	27.80	26.96	26.28	20.52	41.67	48.51	
6-2 x 8-2	21.31	43.26	32.66	66.29	93.98	29.24	28.34	27.64	21.31	43.26	50.16	
2-1 x 9-0	14.27	---	19.77	---	103.98	---	7.67	7.50	14.27	---	18.24	
2-7 x 9-0	18.60	---	25.77	---	103.98	---	11.42	11.16	18.60	---	22.74	
2-9 x 9-0	20.05	---	27.77	---	103.98	---	12.67	12.39	20.05	---	24.24	
3-1 x 9-0	22.94	---	31.77	---	103.98	---	15.17	14.83	22.94	---	27.24	
3-2 x 9-0	23.84	---	33.02	---	103.98	---	15.95	15.59	23.84	---	28.18	
4-0 x 9-0	14.04	28.77	19.44	39.85	103.98	---	15.34	15.00	14.04	28.77	35.45	
5-0 x 9-0	18.37	37.44	25.44	51.85	103.98	---	22.84	22.32	18.37	37.44	44.45	
5-4 x 9-0	19.81	40.33	27.44	55.85	103.98	---	25.34	24.78	19.81	40.33	47.45	
6-0 x 9-0	22.70	46.11	31.44	63.85	103.98	---	30.34	29.66	22.70	46.11	53.45	
6-2 x 9-0	23.58	47.87	32.66	66.29	103.98	---	31.90	31.18	23.58	47.87	55.28	



# PREMIUM SERIES OUTSWING HINGED PATIO DOORS STANDARD SILL – 1-3/4" PANEL (8610)

## Opening Specifications

Ordering Size	Sq. Ft. Clear Opening		Clear Opening <sup>a</sup>				Sq. Ft. Daylight Opening			Sq. Ft. Vent		Sq. Ft. Overall Unit Area <sup>b</sup>
	1 Oper. Panel	2 Oper. Panels	Width		Height	7-1/2" Bottom Rail	10" Bottom Rail	12" Bottom Rail	1 Oper. Panel	2 Oper. Panels		
			1 Oper. Panel	2 Oper. Panels								
2-1 x 10-0	15.92	---	19.77	---	115.98	---	8.69	8.52	15.92	---	20.27	
2-7 x 10-0	20.75	---	25.77	---	115.98	---	12.94	12.69	20.75	---	25.27	
2-9 x 10-0	22.36	---	27.77	---	115.98	---	14.36	14.08	22.36	---	26.93	
3-1 x 10-0	25.58	---	31.77	---	115.98	---	17.19	16.85	25.58	---	30.27	
3-2 x 10-0	26.59	---	33.02	---	115.98	---	18.07	17.72	26.59	---	31.31	
4-0 x 10-0	15.66	32.10	19.44	39.85	115.98	---	17.38	17.04	15.66	32.10	39.39	
5-0 x 10-0	20.49	41.76	25.44	51.85	115.98	---	25.88	25.38	20.49	41.76	49.39	
5-4 x 10-0	22.10	44.98	27.44	55.85	115.98	---	28.72	28.16	22.10	44.98	52.72	
6-0 x 10-0	25.32	51.43	31.44	63.85	115.98	---	34.38	33.70	25.32	51.43	59.39	
6-2 x 10-0	26.30	53.39	32.66	66.29	115.98	---	36.14	35.44	26.30	53.39	61.42	

<sup>a</sup> All calculations assume operating panel is open 90 degrees.

<sup>b</sup> Sq. Ft. Overall Unit Area is calculated on the jamb dimension.

# PREMIUM SERIES OUTSWING HINGED PATIO DOORS LOW PROFILE SILL – 1-3/4" PANEL (8610)

## Opening Specifications

Ordering Size	Sq. Ft. Clear Opening		Clear Opening <sup>a</sup>				Sq. Ft. Daylight Opening			Sq. Ft. Vent		Sq. Ft. Overall Unit Area <sup>b</sup>
	1 Oper. Panel	2 Oper. Panels	Width		Height	7-1/2" Bottom Rail	10" Bottom Rail	12" Bottom Rail	1 Oper. Panel	2 Oper. Panels		
			1 Oper. Panel	2 Oper. Panels								
2-1 x 6-8	10.38	---	19.77	---	75.66	5.45	5.24	5.07	10.38	---	13.32	
2-7 x 6-8	13.54	---	25.77	---	75.66	8.12	7.80	7.55	13.54	---	16.61	
2-9 x 6-8	14.59	---	27.77	---	75.66	9.00	8.65	8.37	14.59	---	17.71	
3-1 x 6-8	16.69	---	31.77	---	75.66	10.78	10.36	10.02	16.69	---	19.90	
3-2 x 6-8	17.35	---	33.02	---	75.66	11.34	10.89	10.54	17.35	---	20.58	
4-0 x 6-8	10.21	20.94	19.44	39.85	75.66	10.90	10.48	10.14	10.21	20.94	25.89	
5-0 x 6-8	13.37	27.24	25.44	51.85	75.66	16.24	15.60	15.10	13.37	27.24	32.47	
5-4 x 6-8	14.42	29.34	27.44	55.85	75.66	18.00	17.30	16.74	14.42	29.34	34.66	
6-0 x 6-8	16.52	33.55	31.44	63.85	75.66	21.56	20.72	20.04	16.52	33.55	39.04	
6-2 x 6-8	17.16	34.83	32.66	66.29	75.66	22.68	21.78	21.08	17.16	34.83	40.38	
2-1 x 6-10	10.73	---	19.77	---	78.16	5.67	5.45	5.28	10.73	---	13.74	
2-7 x 6-10	13.98	---	25.77	---	78.16	8.43	8.12	7.86	13.98	---	17.14	
2-9 x 6-10	15.07	---	27.77	---	78.16	9.36	9.00	8.72	15.07	---	18.27	
3-1 x 6-10	17.24	---	31.77	---	78.16	11.20	10.78	10.44	17.24	---	20.53	
3-2 x 6-10	17.92	---	33.02	---	78.16	11.78	11.34	10.98	17.92	---	21.23	
4-0 x 6-10	10.55	21.63	19.44	39.85	78.16	11.34	10.90	10.56	10.55	21.63	26.71	
5-0 x 6-10	13.81	28.14	25.44	51.85	78.16	16.86	16.24	15.72	13.81	28.14	33.50	
5-4 x 6-10	14.89	30.31	27.44	55.85	78.16	18.72	18.00	17.44	14.89	30.31	35.76	
6-0 x 6-10	17.06	34.66	31.44	63.85	78.16	22.40	21.56	20.88	17.06	34.66	40.28	
6-2 x 6-10	17.73	35.98	32.66	66.29	78.16	23.56	22.68	21.96	17.73	35.98	41.66	
2-1 x 7-2	11.28	---	19.77	---	82.16	6.01	5.79	5.62	11.28	---	14.42	
2-7 x 7-2	14.70	---	25.77	---	82.16	8.94	8.62	8.37	14.70	---	17.98	
2-9 x 7-2	15.84	---	27.77	---	82.16	9.92	9.57	9.29	15.84	---	19.16	
3-1 x 7-2	18.12	---	31.77	---	82.16	11.88	11.46	11.12	18.12	---	21.54	
3-2 x 7-2	18.84	---	33.02	---	82.16	12.49	12.05	11.69	18.84	---	22.28	
4-0 x 7-2	11.09	22.74	19.44	39.85	82.16	12.02	11.58	11.24	11.09	22.74	28.02	
5-0 x 7-2	14.51	29.58	25.44	51.85	82.16	17.88	17.24	16.74	14.51	29.58	35.14	
5-4 x 7-2	15.66	31.86	27.44	55.85	82.16	19.84	19.14	18.58	15.66	31.86	37.51	
6-0 x 7-2	17.94	36.43	31.44	63.85	82.16	23.76	22.92	22.24	17.94	36.43	42.26	
6-2 x 7-2	18.63	37.82	32.66	66.29	82.16	24.98	24.10	23.38	18.63	37.82	43.70	
2-1 x 8-0	12.65	---	19.77	---	92.16	6.86	6.65	6.48	12.65	---	16.11	
2-7 x 8-0	16.49	---	25.77	---	92.16	10.21	9.89	9.64	16.49	---	20.08	
2-9 x 8-0	17.77	---	27.77	---	92.16	11.33	10.98	10.70	17.77	---	21.41	
3-1 x 8-0	20.33	---	31.77	---	92.16	13.56	13.14	12.80	20.33	---	24.06	
3-2 x 8-0	21.13	---	33.02	---	92.16	14.26	13.82	13.46	21.13	---	24.89	
4-0 x 8-0	12.44	25.50	19.44	39.85	92.16	13.72	13.30	12.96	12.44	25.50	31.31	
5-0 x 8-0	16.28	33.18	25.44	51.85	92.16	20.42	19.78	19.28	16.28	33.18	39.26	
5-4 x 8-0	17.56	35.74	27.44	55.85	92.16	22.66	21.96	21.40	17.56	35.74	41.91	
6-0 x 8-0	20.12	40.86	31.44	63.85	92.16	27.12	26.28	25.60	20.12	40.86	47.21	
6-2 x 8-0	20.90	42.42	32.66	66.29	92.16	28.52	27.64	26.92	20.90	42.42	48.82	
2-1 x 8-2	12.92	---	19.77	---	94.16	7.03	6.82	6.65	12.92	---	16.45	
2-7 x 8-2	16.85	---	25.77	---	94.16	10.47	10.15	9.89	16.85	---	20.50	
2-9 x 8-2	18.16	---	27.77	---	94.16	11.61	11.26	10.98	18.16	---	21.86	
3-1 x 8-2	20.77	---	31.77	---	94.16	13.90	13.48	13.14	20.77	---	24.56	
3-2 x 8-2	21.59	---	33.02	---	94.16	14.62	14.17	13.82	21.59	---	25.41	
4-0 x 8-2	12.71	26.06	19.44	39.85	94.16	14.06	13.64	13.30	12.71	26.06	31.96	
5-0 x 8-2	16.63	33.90	25.44	51.85	94.16	20.94	20.30	19.78	16.63	33.90	40.08	
5-4 x 8-2	17.94	36.52	27.44	55.85	94.16	23.22	22.52	21.96	17.94	36.52	42.78	
6-0 x 8-2	20.56	41.75	31.44	63.85	94.16	27.80	26.96	26.28	20.56	41.75	48.20	
6-2 x 8-2	21.35	43.34	32.66	66.29	94.16	29.24	28.34	27.64	21.35	43.34	49.84	
2-1 x 9-0	14.30	---	19.77	---	104.16	---	7.67	7.50	14.30	---	18.13	
2-7 x 9-0	18.64	---	25.77	---	104.16	---	11.42	11.16	18.64	---	22.61	
2-9 x 9-0	20.08	---	27.77	---	104.16	---	12.67	12.39	20.08	---	24.10	
3-1 x 9-0	22.98	---	31.77	---	104.16	---	15.17	14.83	22.98	---	27.08	
3-2 x 9-0	23.88	---	33.02	---	104.16	---	15.95	15.59	23.88	---	28.02	
4-0 x 9-0	14.06	28.82	19.44	39.85	104.16	---	15.34	15.00	14.06	28.82	35.24	
5-0 x 9-0	18.40	37.50	25.44	51.85	104.16	---	22.84	22.32	18.40	37.50	44.19	
5-4 x 9-0	19.85	40.40	27.44	55.85	104.16	---	25.34	24.78	19.85	40.40	47.18	
6-0 x 9-0	22.74	46.18	31.44	63.85	104.16	---	30.34	29.66	22.74	46.18	53.14	
6-2 x 9-0	23.62	47.95	32.66	66.29	104.16	---	31.90	31.18	23.62	47.95	54.96	

# PREMIUM SERIES OUTSWING HINGED PATIO DOORS LOW PROFILE SILL – 1-3/4" PANEL (8610)

## Opening Specifications

Ordering Size	Sq. Ft. Clear Opening		Clear Opening <sup>a</sup>				Sq. Ft. Daylight Opening			Sq. Ft. Vent		Sq. Ft. Overall Unit Area <sup>b</sup>
	1 Oper. Panel	2 Oper. Panels	Width		Height	7-1/2" Bottom Rail	10" Bottom Rail	12" Bottom Rail	1 Oper. Panel	2 Oper. Panels		
			1 Oper. Panel	2 Oper. Panels								
2-1 x 10-0	15.94	---	19.77	---	116.16	---	8.69	8.52	15.94	---	20.16	
2-7 x 10-0	20.78	---	25.77	---	116.16	---	12.94	12.69	20.78	---	25.14	
2-9 x 10-0	22.40	---	27.77	---	116.16	---	14.36	14.08	22.40	---	26.79	
3-1 x 10-0	25.62	---	31.77	---	116.16	---	17.19	16.85	25.62	---	30.11	
3-2 x 10-0	26.63	---	33.02	---	116.16	---	18.07	17.72	26.63	---	31.15	
4-0 x 10-0	15.68	32.14	19.44	39.85	116.16	---	17.38	17.04	15.68	32.14	39.18	
5-0 x 10-0	20.52	41.82	25.44	51.85	116.16	---	25.88	25.38	20.52	41.82	49.13	
5-4 x 10-0	22.13	45.05	27.44	55.85	116.16	---	28.72	28.16	22.13	45.05	52.45	
6-0 x 10-0	25.36	51.50	31.44	63.85	116.16	---	34.38	33.70	25.36	51.50	59.08	
6-2 x 10-0	26.34	53.47	32.66	66.29	116.16	---	36.14	35.44	26.34	53.47	61.10	

<sup>a</sup> All calculations assume operating panel is open 90 degrees.

<sup>b</sup> Sq. Ft. Overall Unit Area is calculated on the jamb dimension.

# PREMIUM SERIES OUTSWING HINGED PATIO DOORS ADA SILL – 1-3/4" PANEL (8610)

## Opening Specifications

Ordering Size	Sq. Ft. Clear Opening		Clear Opening <sup>A</sup>				Sq. Ft. Daylight Opening			Sq. Ft. Vent		Sq. Ft. Overall Unit Area <sup>B</sup>
	1 Oper. Panel	2 Oper. Panels	Width		Height	7-1/2" Bottom Rail	10" Bottom Rail	12" Bottom Rail	1 Oper. Panel	2 Oper. Panels		
			1 Oper. Panel	2 Oper. Panels								
2-1 x 6-8	10.47	---	19.77	---	76.28	5.45	5.24	5.07	10.47	---	13.17	
2-7 x 6-8	13.65	---	25.77	---	76.28	8.12	7.80	7.55	13.65	---	16.43	
2-9 x 6-8	14.71	---	27.77	---	76.28	9.00	8.65	8.37	14.71	---	17.51	
3-1 x 6-8	16.83	---	31.77	---	76.28	10.78	10.36	10.02	16.83	---	19.68	
3-2 x 6-8	17.49	---	33.02	---	76.28	11.34	10.89	10.54	17.49	---	20.35	
4-0 x 6-8	10.30	21.11	19.44	39.85	76.28	10.90	10.48	10.14	10.30	21.11	25.60	
5-0 x 6-8	13.48	27.47	25.44	51.85	76.28	16.24	15.60	15.10	13.48	27.47	32.11	
5-4 x 6-8	14.54	29.58	27.44	55.85	76.28	18.00	17.30	16.74	14.54	29.58	34.27	
6-0 x 6-8	16.65	33.82	31.44	63.85	76.28	21.56	20.72	20.04	16.65	33.82	38.61	
6-2 x 6-8	17.30	35.11	32.66	66.29	76.28	22.68	21.78	21.08	17.30	35.11	39.93	
2-1 x 6-10	10.81	---	19.77	---	78.78	5.67	5.45	5.28	10.81	---	13.60	
2-7 x 6-10	14.10	---	25.77	---	78.78	8.43	8.12	7.86	14.10	---	16.95	
2-9 x 6-10	15.19	---	27.77	---	78.78	9.36	9.00	8.72	15.19	---	18.07	
3-1 x 6-10	17.38	---	31.77	---	78.78	11.20	10.78	10.44	17.38	---	20.31	
3-2 x 6-10	18.06	---	33.02	---	78.78	11.78	11.34	10.98	18.06	---	21.01	
4-0 x 6-10	10.64	21.80	19.44	39.85	78.78	11.34	10.90	10.56	10.64	21.80	26.42	
5-0 x 6-10	13.92	28.37	25.44	51.85	78.78	16.86	16.24	15.72	13.92	28.37	33.14	
5-4 x 6-10	15.01	30.55	27.44	55.85	78.78	18.72	18.00	17.44	15.01	30.55	35.37	
6-0 x 6-10	17.20	34.93	31.44	63.85	78.78	22.40	21.56	20.88	17.20	34.93	39.85	
6-2 x 6-10	17.87	36.26	32.66	66.29	78.78	23.56	22.68	21.96	17.87	36.26	41.21	
2-1 x 7-2	11.36	---	19.77	---	82.78	6.01	5.79	5.62	11.36	---	14.27	
2-7 x 7-2	14.81	---	25.77	---	82.78	8.94	8.62	8.37	14.81	---	17.79	
2-9 x 7-2	15.96	---	27.77	---	82.78	9.92	9.57	9.29	15.96	---	18.97	
3-1 x 7-2	18.26	---	31.77	---	82.78	11.88	11.46	11.12	18.26	---	21.32	
3-2 x 7-2	18.98	---	33.02	---	82.78	12.49	12.05	11.69	18.98	---	22.05	
4-0 x 7-2	11.18	22.91	19.44	39.85	82.78	12.02	11.58	11.24	11.18	22.91	27.74	
5-0 x 7-2	14.62	29.81	25.44	51.85	82.78	17.88	17.24	16.74	14.62	29.81	34.78	
5-4 x 7-2	15.77	32.11	27.44	55.85	82.78	19.84	19.14	18.58	15.77	32.11	37.13	
6-0 x 7-2	18.07	36.70	31.44	63.85	82.78	23.76	22.92	22.24	18.07	36.70	41.83	
6-2 x 7-2	18.77	38.11	32.66	66.29	82.78	24.98	24.10	23.38	18.77	38.11	43.26	
2-1 x 8-0	12.73	---	19.77	---	92.78	6.86	6.65	6.48	12.73	---	15.96	
2-7 x 8-0	16.60	---	25.77	---	92.78	10.21	9.89	9.64	16.60	---	19.90	
2-9 x 8-0	17.89	---	27.77	---	92.78	11.33	10.98	10.70	17.89	---	21.21	
3-1 x 8-0	20.47	---	31.77	---	92.78	13.56	13.14	12.80	20.47	---	23.84	
3-2 x 8-0	21.27	---	33.02	---	92.78	14.26	13.82	13.46	21.27	---	24.66	
4-0 x 8-0	12.53	25.68	19.44	39.85	92.78	13.72	13.30	12.96	12.53	25.68	31.02	
5-0 x 8-0	16.39	33.41	25.44	51.85	92.78	20.42	19.78	19.28	16.39	33.41	38.90	
5-4 x 8-0	17.68	35.98	27.44	55.85	92.78	22.66	21.96	21.40	17.68	35.98	41.52	
6-0 x 8-0	20.26	41.14	31.44	63.85	92.78	27.12	26.28	25.60	20.26	41.14	46.77	
6-2 x 8-0	21.04	42.71	32.66	66.29	92.78	28.52	27.64	26.92	21.04	42.71	48.37	
2-1 x 8-2	13.01	---	19.77	---	94.78	7.03	6.82	6.65	13.01	---	16.30	
2-7 x 8-2	16.96	---	25.77	---	94.78	10.47	10.15	9.89	16.96	---	20.32	
2-9 x 8-2	18.28	---	27.77	---	94.78	11.61	11.26	10.98	18.28	---	21.66	
3-1 x 8-2	20.91	---	31.77	---	94.78	13.90	13.48	13.14	20.91	---	24.34	
3-2 x 8-2	21.73	---	33.02	---	94.78	14.62	14.17	13.82	21.73	---	25.18	
4-0 x 8-2	12.80	26.23	19.44	39.85	94.78	14.06	13.64	13.30	12.80	26.23	31.67	
5-0 x 8-2	16.74	34.13	25.44	51.85	94.78	20.94	20.30	19.78	16.74	34.13	39.72	
5-4 x 8-2	18.06	36.76	27.44	55.85	94.78	23.22	22.52	21.96	18.06	36.76	42.40	
6-0 x 8-2	20.69	42.03	31.44	63.85	94.78	27.80	26.96	26.28	20.69	42.03	47.76	
6-2 x 8-2	21.50	43.63	32.66	66.29	94.78	29.24	28.34	27.64	21.50	43.63	49.40	
2-1 x 9-0	14.38	---	19.77	---	104.78	---	7.67	7.50	14.38	---	17.99	
2-7 x 9-0	18.75	---	25.77	---	104.78	---	11.42	11.16	18.75	---	22.43	
2-9 x 9-0	20.20	---	27.77	---	104.78	---	12.67	12.39	20.20	---	23.90	
3-1 x 9-0	23.11	---	31.77	---	104.78	---	15.17	14.83	23.11	---	26.86	
3-2 x 9-0	24.02	---	33.02	---	104.78	---	15.95	15.59	24.02	---	27.79	
4-0 x 9-0	14.15	29.00	19.44	39.85	104.78	---	15.34	15.00	14.15	29.00	34.96	
5-0 x 9-0	18.51	37.73	25.44	51.85	104.78	---	22.84	22.32	18.51	37.73	43.83	
5-4 x 9-0	19.97	40.64	27.44	55.85	104.78	---	25.34	24.78	19.97	40.64	46.79	
6-0 x 9-0	22.88	46.46	31.44	63.85	104.78	---	30.34	29.66	22.88	46.46	52.71	
6-2 x 9-0	23.76	48.23	32.66	66.29	104.78	---	31.90	31.18	23.76	48.23	54.51	

# PREMIUM SERIES OUTSWING HINGED PATIO DOORS ADA SILL – 1-3/4" PANEL (8610)

## Opening Specifications

Ordering Size	Sq. Ft. Clear Opening		Clear Opening <sup>A</sup>				Sq. Ft. Daylight Opening			Sq. Ft. Vent		Sq. Ft. Overall Unit Area <sup>B</sup>
	1 Oper. Panel	2 Oper. Panels	Width		Height	7-1/2" Bottom Rail	10" Bottom Rail	12" Bottom Rail	1 Oper. Panel	2 Oper. Panels		
			1 Oper. Panel	2 Oper. Panels								
2-1 x 10-0	16.03	---	19.77	---	116.78	---	8.69	8.52	16.03	---	20.01	
2-7 x 10-0	20.89	---	25.77	---	116.78	---	12.94	12.69	20.89	---	24.95	
2-9 x 10-0	22.52	---	27.77	---	116.78	---	14.36	14.08	22.52	---	26.60	
3-1 x 10-0	25.76	---	31.77	---	116.78	---	17.19	16.85	25.76	---	29.89	
3-2 x 10-0	26.77	---	33.02	---	116.78	---	18.07	17.72	26.77	---	30.92	
4-0 x 10-0	15.77	32.32	19.44	39.85	116.78	---	17.38	17.04	15.77	32.32	38.89	
5-0 x 10-0	20.63	42.05	25.44	51.85	116.78	---	25.88	25.38	20.63	42.05	48.77	
5-4 x 10-0	22.25	45.29	27.44	55.85	116.78	---	28.72	28.16	22.25	45.29	52.06	
6-0 x 10-0	25.50	51.78	31.44	63.85	116.78	---	34.38	33.70	25.50	51.78	58.65	
6-2 x 10-0	26.49	53.76	32.66	66.29	116.78	---	36.14	35.44	26.49	53.76	60.65	

<sup>A</sup> All calculations assume operating panel is open 90 degrees.

<sup>B</sup> Sq. Ft. Overall Unit Area is calculated on the jamb dimension.

# PREMIUM SERIES OUTSWING HINGED PATIO DOORS STANDARD SILL – 2-1/4" PANEL (8611)

## Opening Specifications

Ordering Size	Sq. Ft. Clear Opening		Clear Opening <sup>a</sup>				Sq. Ft. Daylight Opening		Sq. Ft. Vent		Sq. Ft. Overall Unit Area <sup>b</sup>
	1 Oper. Panel	2 Oper. Panels	Width		Height	10" Bottom Rail	12" Bottom Rail	1 Oper. Panel	2 Oper. Panels		
			1 Oper. Panel	2 Oper. Panels							
2-1 x 6-8	10.10	---	19.27	---	75.48	5.24	5.07	10.10	---	13.43	
2-7 x 6-8	13.19	---	25.17	---	75.48	7.80	7.55	13.19	---	16.74	
2-9 x 6-8	14.24	---	27.17	---	75.48	8.65	8.37	14.24	---	17.85	
3-1 x 6-8	16.34	---	31.17	---	75.48	10.36	10.02	16.34	---	20.06	
3-2 x 6-8	16.99	---	32.42	---	75.48	10.89	10.54	16.99	---	20.75	
4-0 x 6-8	9.93	20.36	18.94	38.85	75.48	10.48	10.14	9.93	20.36	26.10	
5-0 x 6-8	13.07	26.65	24.94	50.85	75.48	15.60	15.10	13.07	26.65	32.72	
5-4 x 6-8	14.12	28.75	26.94	54.85	75.48	17.30	16.74	14.12	28.75	34.93	
6-0 x 6-8	16.22	32.94	30.94	62.85	75.48	20.72	20.04	16.22	32.94	39.35	
6-2 x 6-8	16.86	34.22	32.16	65.29	75.48	21.78	21.08	16.86	34.22	40.70	
2-1 x 6-10	10.43	---	19.27	---	77.98	5.45	5.28	10.43	---	13.85	
2-7 x 6-10	13.63	---	25.17	---	77.98	8.12	7.86	13.63	---	17.27	
2-9 x 6-10	14.71	---	27.17	---	77.98	9.00	8.72	14.71	---	18.41	
3-1 x 6-10	16.88	---	31.17	---	77.98	10.78	10.44	16.88	---	20.69	
3-2 x 6-10	17.55	---	32.42	---	77.98	11.34	10.98	17.55	---	21.40	
4-0 x 6-10	10.26	21.04	18.94	38.85	77.98	10.90	10.56	10.26	21.04	26.92	
5-0 x 6-10	13.51	27.54	24.94	50.85	77.98	16.24	15.72	13.51	27.54	33.75	
5-4 x 6-10	14.59	29.70	26.94	54.85	77.98	18.00	17.44	14.59	29.70	36.03	
6-0 x 6-10	16.76	34.04	30.94	62.85	77.98	21.56	20.88	16.76	34.04	40.59	
6-2 x 6-10	17.42	35.36	32.16	65.29	77.98	22.68	21.96	17.42	35.36	41.98	
2-1 x 7-2	10.97	---	19.27	---	81.98	5.79	5.62	10.97	---	14.53	
2-7 x 7-2	14.33	---	25.17	---	81.98	8.62	8.37	14.33	---	18.11	
2-9 x 7-2	15.47	---	27.17	---	81.98	9.57	9.29	15.47	---	19.30	
3-1 x 7-2	17.74	---	31.17	---	81.98	11.46	11.12	17.74	---	21.69	
3-2 x 7-2	18.45	---	32.42	---	81.98	12.05	11.69	18.45	---	22.44	
4-0 x 7-2	10.78	22.12	18.94	38.85	81.98	11.58	11.24	10.78	22.12	28.23	
5-0 x 7-2	14.20	28.95	24.94	50.85	81.98	17.24	16.74	14.20	28.95	35.40	
5-4 x 7-2	15.34	31.23	26.94	54.85	81.98	19.14	18.58	15.34	31.23	37.79	
6-0 x 7-2	17.61	35.78	30.94	62.85	81.98	22.92	22.24	17.61	35.78	42.57	
6-2 x 7-2	18.31	37.17	32.16	65.29	81.98	24.10	23.38	18.31	37.17	44.02	
2-1 x 8-0	12.31	---	19.27	---	91.98	6.65	6.48	12.31	---	16.21	
2-7 x 8-0	16.07	---	25.17	---	91.98	9.89	9.64	16.07	---	20.21	
2-9 x 8-0	17.35	---	27.17	---	91.98	10.98	10.70	17.35	---	21.55	
3-1 x 8-0	19.91	---	31.17	---	91.98	13.14	12.80	19.91	---	24.22	
3-2 x 8-0	20.71	---	32.42	---	91.98	13.82	13.46	20.71	---	25.05	
4-0 x 8-0	12.10	24.82	18.94	38.85	91.98	13.30	12.96	12.10	24.82	31.51	
5-0 x 8-0	15.93	32.48	24.94	50.85	91.98	19.78	19.28	15.93	32.48	39.51	
5-4 x 8-0	17.21	35.04	26.94	54.85	91.98	21.96	21.40	17.21	35.04	42.18	
6-0 x 8-0	19.76	40.15	30.94	62.85	91.98	26.28	25.60	19.76	40.15	47.52	
6-2 x 8-0	20.54	41.70	32.16	65.29	91.98	27.64	26.92	20.54	41.70	49.14	
2-1 x 8-2	12.57	---	19.27	---	93.98	6.82	6.65	12.57	---	16.55	
2-7 x 8-2	16.42	---	25.17	---	93.98	10.15	9.89	16.42	---	20.64	
2-9 x 8-2	17.73	---	27.17	---	93.98	11.26	10.98	17.73	---	22.00	
3-1 x 8-2	20.34	---	31.17	---	93.98	13.48	13.14	20.34	---	24.72	
3-2 x 8-2	21.16	---	32.42	---	93.98	14.17	13.82	21.16	---	25.57	
4-0 x 8-2	12.36	25.35	18.94	38.85	93.98	13.64	13.30	12.36	25.35	32.17	
5-0 x 8-2	16.28	33.19	24.94	50.85	93.98	20.30	19.78	16.28	33.19	40.34	
5-4 x 8-2	17.58	35.80	26.94	54.85	93.98	22.52	21.96	17.58	35.80	43.06	
6-0 x 8-2	20.19	41.02	30.94	62.85	93.98	26.96	26.28	20.19	41.02	48.51	
6-2 x 8-2	20.99	42.61	32.16	65.29	93.98	28.34	27.64	20.99	42.61	50.16	
2-1 x 9-0	13.91	---	19.27	---	103.98	7.67	7.50	13.91	---	18.24	
2-7 x 9-0	18.17	---	25.17	---	103.98	11.42	11.16	18.17	---	22.74	
2-9 x 9-0	19.62	---	27.17	---	103.98	12.67	12.39	19.62	---	24.24	
3-1 x 9-0	22.50	---	31.17	---	103.98	15.17	14.83	22.50	---	27.24	
3-2 x 9-0	23.41	---	32.42	---	103.98	15.95	15.59	23.41	---	28.18	
4-0 x 9-0	13.68	28.05	18.94	38.85	103.98	15.34	15.00	13.68	28.05	35.45	
5-0 x 9-0	18.01	36.72	24.94	50.85	103.98	22.84	22.32	18.01	36.72	44.45	
5-4 x 9-0	19.45	39.61	26.94	54.85	103.98	25.34	24.78	19.45	39.61	47.45	
6-0 x 9-0	22.34	45.38	30.94	62.85	103.98	30.34	29.66	22.34	45.38	53.45	
6-2 x 9-0	23.22	47.14	32.16	65.29	103.98	31.90	31.18	23.22	47.14	55.28	

# PREMIUM SERIES OUTSWING HINGED PATIO DOORS STANDARD SILL – 2-1/4" PANEL (8611)

## Opening Specifications

Ordering Size	Sq. Ft. Clear Opening		Clear Opening <sup>a</sup>			Sq. Ft. Daylight Opening		Sq. Ft. Vent		Sq. Ft. Overall Unit Area <sup>b</sup>
	1 Oper. Panel	2 Oper. Panels	Width		Height	10" Bottom Rail	12" Bottom Rail	1 Oper. Panel	2 Oper. Panels	
			1 Oper. Panel	2 Oper. Panels						
2-1 x 10-0	15.52	---	19.27	---	115.98	8.69	8.52	15.52	---	20.27
2-7 x 10-0	20.27	---	25.17	---	115.98	12.94	12.69	20.27	---	25.27
2-9 x 10-0	21.88	---	27.17	---	115.98	14.36	14.08	21.88	---	26.93
3-1 x 10-0	25.10	---	31.17	---	115.98	17.19	16.85	25.10	---	30.27
3-2 x 10-0	26.11	---	32.42	---	115.98	18.07	17.72	26.11	---	31.31
4-0 x 10-0	15.25	31.29	18.94	38.85	115.98	17.38	17.04	15.25	31.29	39.39
5-0 x 10-0	20.09	40.96	24.94	50.85	115.98	25.88	25.38	20.09	40.96	49.39
5-4 x 10-0	21.70	44.18	26.94	54.85	115.98	28.72	28.16	21.70	44.18	52.72
6-0 x 10-0	24.92	50.62	30.94	62.85	115.98	34.38	33.70	24.92	50.62	59.39
6-2 x 10-0	25.90	52.58	32.16	65.29	115.98	36.14	35.44	25.90	52.58	61.42

<sup>a</sup> All calculations assume operating panel is open 90 degrees.

<sup>b</sup> Sq. Ft. Overall Unit Area is calculated on the jamb dimension.

# PREMIUM SERIES OUTSWING HINGED PATIO DOORS LOW PROFILE SILL – 2-1/4" PANEL (8611)

## Opening Specifications

Ordering Size	Sq. Ft. Clear Opening		Clear Opening <sup>a</sup>			Sq. Ft. Daylight Opening		Sq. Ft. Vent		Sq. Ft. Overall Unit Area <sup>b</sup>
	1 Oper. Panel	2 Oper. Panels	Width		Height	10" Bottom Rail	12" Bottom Rail	1 Oper. Panel	2 Oper. Panels	
			1 Oper. Panel	2 Oper. Panels						
2-1 x 6-8	10.12	---	19.27	---	75.66	5.24	5.07	10.12	---	13.32
2-7 x 6-8	13.27	---	25.27	---	75.66	7.80	7.55	13.27	---	16.61
2-9 x 6-8	14.33	---	27.27	---	75.66	8.65	8.37	14.33	---	17.71
3-1 x 6-8	16.43	---	31.27	---	75.66	10.36	10.02	16.43	---	19.90
3-2 x 6-8	17.08	---	32.52	---	75.66	10.89	10.54	17.08	---	20.58
4-0 x 6-8	9.95	20.41	18.94	38.85	75.66	10.48	10.14	9.95	20.41	25.89
5-0 x 6-8	13.10	26.72	24.94	50.85	75.66	15.60	15.10	13.10	26.72	32.47
5-4 x 6-8	14.15	28.82	26.94	54.85	75.66	17.30	16.74	14.15	28.82	34.66
6-0 x 6-8	16.26	33.02	30.94	62.85	75.66	20.72	20.04	16.26	33.02	39.04
6-2 x 6-8	16.90	34.30	32.16	65.29	75.66	21.78	21.08	16.90	34.30	40.38
2-1 x 6-10	10.46	---	19.27	---	78.16	5.45	5.28	10.46	---	13.74
2-7 x 6-10	13.71	---	25.27	---	78.16	8.12	7.86	13.71	---	17.14
2-9 x 6-10	14.80	---	27.27	---	78.16	9.00	8.72	14.80	---	18.27
3-1 x 6-10	16.97	---	31.27	---	78.16	10.78	10.44	16.97	---	20.53
3-2 x 6-10	17.65	---	32.52	---	78.16	11.34	10.98	17.65	---	21.23
4-0 x 6-10	10.28	21.09	18.94	38.85	78.16	10.90	10.56	10.28	21.09	26.71
5-0 x 6-10	13.54	27.60	24.94	50.85	78.16	16.24	15.72	13.54	27.60	33.50
5-4 x 6-10	14.62	29.77	26.94	54.85	78.16	18.00	17.44	14.62	29.77	35.76
6-0 x 6-10	16.79	34.11	30.94	62.85	78.16	21.56	20.88	16.79	34.11	40.28
6-2 x 6-10	17.45	35.44	32.16	65.29	78.16	22.68	21.96	17.45	35.44	41.66
2-1 x 7-2	10.99	---	19.27	---	82.16	5.79	5.62	10.99	---	14.42
2-7 x 7-2	14.41	---	25.27	---	82.16	8.62	8.37	14.41	---	17.98
2-9 x 7-2	15.56	---	27.27	---	82.16	9.57	9.29	15.56	---	19.16
3-1 x 7-2	17.84	---	31.27	---	82.16	11.46	11.12	17.84	---	21.54
3-2 x 7-2	18.55	---	32.52	---	82.16	12.05	11.69	18.55	---	22.28
4-0 x 7-2	10.81	22.17	18.94	38.85	82.16	11.58	11.24	10.81	22.17	28.02
5-0 x 7-2	14.23	29.01	24.94	50.85	82.16	17.24	16.74	14.23	29.01	35.14
5-4 x 7-2	15.37	31.29	26.94	54.85	82.16	19.14	18.58	15.37	31.29	37.51
6-0 x 7-2	17.65	35.86	30.94	62.85	82.16	22.92	22.24	17.65	35.86	42.26
6-2 x 7-2	18.35	37.25	32.16	65.29	82.16	24.10	23.38	18.35	37.25	43.70
2-1 x 8-0	12.33	---	19.27	---	92.16	6.65	6.48	12.33	---	16.11
2-7 x 8-0	16.17	---	25.27	---	92.16	9.89	9.64	16.17	---	20.08
2-9 x 8-0	17.45	---	27.27	---	92.16	10.98	10.70	17.45	---	21.41
3-1 x 8-0	20.01	---	31.27	---	92.16	13.14	12.80	20.01	---	24.06
3-2 x 8-0	20.81	---	32.52	---	92.16	13.82	13.46	20.81	---	24.89
4-0 x 8-0	12.12	24.86	18.94	38.85	92.16	13.30	12.96	12.12	24.86	31.31
5-0 x 8-0	15.96	32.54	24.94	50.85	92.16	19.78	19.28	15.96	32.54	39.26
5-4 x 8-0	17.24	35.10	26.94	54.85	92.16	21.96	21.40	17.24	35.10	41.91
6-0 x 8-0	19.80	40.22	30.94	62.85	92.16	26.28	25.60	19.80	40.22	47.21
6-2 x 8-0	20.58	41.78	32.16	65.29	92.16	27.64	26.92	20.58	41.78	48.82
2-1 x 8-2	12.60	---	19.27	---	94.16	6.82	6.65	12.60	---	16.45
2-7 x 8-2	16.52	---	25.27	---	94.16	10.15	9.89	16.52	---	20.50
2-9 x 8-2	17.83	---	27.27	---	94.16	11.26	10.98	17.83	---	21.86
3-1 x 8-2	20.44	---	31.27	---	94.16	13.48	13.14	20.44	---	24.56
3-2 x 8-2	21.26	---	32.52	---	94.16	14.17	13.82	21.26	---	25.41
4-0 x 8-2	12.38	25.40	18.94	38.85	94.16	13.64	13.30	12.38	25.40	31.96
5-0 x 8-2	16.31	33.25	24.94	50.85	94.16	20.30	19.78	16.31	33.25	40.08
5-4 x 8-2	17.62	35.86	26.94	54.85	94.16	22.52	21.96	17.62	35.86	42.78
6-0 x 8-2	20.23	41.10	30.94	62.85	94.16	26.96	26.28	20.23	41.10	48.20
6-2 x 8-2	21.03	42.69	32.16	65.29	94.16	28.34	27.64	21.03	42.69	49.84
2-1 x 9-0	13.93	---	19.27	---	104.16	7.67	7.50	13.93	---	18.13
2-7 x 9-0	18.27	---	25.27	---	104.16	11.42	11.16	18.27	---	22.61
2-9 x 9-0	19.72	---	27.27	---	104.16	12.67	12.39	19.72	---	24.10
3-1 x 9-0	22.61	---	31.27	---	104.16	15.17	14.83	22.61	---	27.08
3-2 x 9-0	23.52	---	32.52	---	104.16	15.95	15.59	23.52	---	28.02
4-0 x 9-0	13.70	28.10	18.94	38.85	104.16	15.34	15.00	13.70	28.10	35.24
5-0 x 9-0	18.04	36.78	24.94	50.85	104.16	22.84	22.32	18.04	36.78	44.19
5-4 x 9-0	19.49	39.67	26.94	54.85	104.16	25.34	24.78	19.49	39.67	47.18
6-0 x 9-0	22.38	45.46	30.94	62.85	104.16	30.34	29.66	22.38	45.46	53.14
6-2 x 9-0	23.26	47.22	32.16	65.29	104.16	31.90	31.18	23.26	47.22	54.96



# PREMIUM SERIES OUTSWING HINGED PATIO DOORS LOW PROFILE SILL – 2-1/4" PANEL (8611)

## Opening Specifications

Ordering Size	Sq. Ft. Clear Opening		Clear Opening <sup>a</sup>			Sq. Ft. Daylight Opening		Sq. Ft. Vent		Sq. Ft. Overall Unit Area <sup>b</sup>
	1 Oper. Panel	2 Oper. Panels	Width		Height	10" Bottom Rail	12" Bottom Rail	1 Oper. Panel	2 Oper. Panels	
			1 Oper. Panel	2 Oper. Panels						
2-1 x 10-0	15.54	---	19.27	---	116.16	8.69	8.52	15.54	---	20.16
2-7 x 10-0	20.38	---	25.27	---	116.16	12.94	12.69	20.38	---	25.14
2-9 x 10-0	21.99	---	27.27	---	116.16	14.36	14.08	21.99	---	26.79
3-1 x 10-0	25.22	---	31.27	---	116.16	17.19	16.85	25.22	---	30.11
3-2 x 10-0	26.23	---	32.52	---	116.16	18.07	17.72	26.23	---	31.15
4-0 x 10-0	15.28	31.34	18.94	38.85	116.16	17.38	17.04	15.28	31.34	39.18
5-0 x 10-0	20.12	41.02	24.94	50.85	116.16	25.88	25.38	20.12	41.02	49.13
5-4 x 10-0	21.73	44.24	26.94	54.85	116.16	28.72	28.16	21.73	44.24	52.45
6-0 x 10-0	24.96	50.70	30.94	62.85	116.16	34.38	33.70	24.96	50.70	59.08
6-2 x 10-0	25.94	52.66	32.16	65.29	116.16	36.14	35.44	25.94	52.66	61.10

<sup>a</sup> All calculations assume operating panel is open 90 degrees.

<sup>b</sup> Sq. Ft. Overall Unit Area is calculated on the jamb dimension.

# PREMIUM SERIES OUTSWING HINGED PATIO DOORS ADA SILL – 2-1/4" PANEL (8611)

## Opening Specifications

Ordering Size	Sq. Ft. Clear Opening		Clear Opening <sup>A</sup>				Sq. Ft. Daylight Opening		Sq. Ft. Vent		Sq. Ft. Overall Unit Area <sup>B</sup>
	1 Oper. Panel	2 Oper. Panels	Width		Height	10" Bottom Rail	12" Bottom Rail	1 Oper. Panel	2 Oper. Panels		
			1 Oper. Panel	2 Oper. Panels							
2-1 x 6-8	10.21	---	19.27	---	76.28	5.24	5.07	10.21	---	13.17	
2-7 x 6-8	13.38	---	25.27	---	76.28	7.80	7.55	13.38	---	16.43	
2-9 x 6-8	14.44	---	27.27	---	76.28	8.65	8.37	14.44	---	17.51	
3-1 x 6-8	16.56	---	31.27	---	76.28	10.36	10.02	16.56	---	19.68	
3-2 x 6-8	17.22	---	32.52	---	76.28	10.89	10.54	17.22	---	20.35	
4-0 x 6-8	10.03	20.58	18.94	38.85	76.28	10.48	10.14	10.03	20.58	25.60	
5-0 x 6-8	13.21	26.94	24.94	50.85	76.28	15.60	15.10	13.21	26.94	32.11	
5-4 x 6-8	14.27	29.06	26.94	54.85	76.28	17.30	16.74	14.27	29.06	34.27	
6-0 x 6-8	16.39	33.29	30.94	62.85	76.28	20.72	20.04	16.39	33.29	38.61	
6-2 x 6-8	17.04	34.58	32.16	65.29	76.28	21.78	21.08	17.04	34.58	39.93	
2-1 x 6-10	10.54	---	19.27	---	78.78	5.45	5.28	10.54	---	13.60	
2-7 x 6-10	13.82	---	25.27	---	78.78	8.12	7.86	13.82	---	16.95	
2-9 x 6-10	14.92	---	27.27	---	78.78	9.00	8.72	14.92	---	18.07	
3-1 x 6-10	17.10	---	31.27	---	78.78	10.78	10.44	17.10	---	20.31	
3-2 x 6-10	17.79	---	32.52	---	78.78	11.34	10.98	17.79	---	21.01	
4-0 x 6-10	10.36	21.25	18.94	38.85	78.78	10.90	10.56	10.36	21.25	26.42	
5-0 x 6-10	13.64	27.82	24.94	50.85	78.78	16.24	15.72	13.64	27.82	33.14	
5-4 x 6-10	14.74	30.01	26.94	54.85	78.78	18.00	17.44	14.74	30.01	35.37	
6-0 x 6-10	16.93	34.38	30.94	62.85	78.78	21.56	20.88	16.93	34.38	39.85	
6-2 x 6-10	17.59	35.72	32.16	65.29	78.78	22.68	21.96	17.59	35.72	41.21	
2-1 x 7-2	11.07	---	19.27	---	82.78	5.79	5.62	11.07	---	14.27	
2-7 x 7-2	14.52	---	25.27	---	82.78	8.62	8.37	14.52	---	17.79	
2-9 x 7-2	15.67	---	27.27	---	82.78	9.57	9.29	15.67	---	18.97	
3-1 x 7-2	17.97	---	31.27	---	82.78	11.46	11.12	17.97	---	21.32	
3-2 x 7-2	18.69	---	32.52	---	82.78	12.05	11.69	18.69	---	22.05	
4-0 x 7-2	10.89	22.33	18.94	38.85	82.78	11.58	11.24	10.89	22.33	27.74	
5-0 x 7-2	14.34	29.23	24.94	50.85	82.78	17.24	16.74	14.34	29.23	34.78	
5-4 x 7-2	15.49	31.53	26.94	54.85	82.78	19.14	18.58	15.49	31.53	37.13	
6-0 x 7-2	17.79	36.13	30.94	62.85	82.78	22.92	22.24	17.79	36.13	41.83	
6-2 x 7-2	18.49	37.53	32.16	65.29	82.78	24.10	23.38	18.49	37.53	43.26	
2-1 x 8-0	12.41	---	19.27	---	92.78	6.65	6.48	12.41	---	15.96	
2-7 x 8-0	16.28	---	25.27	---	92.78	9.89	9.64	16.28	---	19.90	
2-9 x 8-0	17.57	---	27.27	---	92.78	10.98	10.70	17.57	---	21.21	
3-1 x 8-0	20.14	---	31.27	---	92.78	13.14	12.80	20.14	---	23.84	
3-2 x 8-0	20.95	---	32.52	---	92.78	13.82	13.46	20.95	---	24.66	
4-0 x 8-0	12.20	25.03	18.94	38.85	92.78	13.30	12.96	12.20	25.03	31.02	
5-0 x 8-0	16.07	32.76	24.94	50.85	92.78	19.78	19.28	16.07	32.76	38.90	
5-4 x 8-0	17.36	35.34	26.94	54.85	92.78	21.96	21.40	17.36	35.34	41.52	
6-0 x 8-0	19.94	40.49	30.94	62.85	92.78	26.28	25.60	19.94	40.49	46.77	
6-2 x 8-0	20.72	42.07	32.16	65.29	92.78	27.64	26.92	20.72	42.07	48.37	
2-1 x 8-2	12.68	---	19.27	---	94.78	6.82	6.65	12.68	---	16.30	
2-7 x 8-2	16.63	---	25.27	---	94.78	10.15	9.89	16.63	---	20.32	
2-9 x 8-2	17.95	---	27.27	---	94.78	11.26	10.98	17.95	---	21.66	
3-1 x 8-2	20.58	---	31.27	---	94.78	13.48	13.14	20.58	---	24.34	
3-2 x 8-2	21.40	---	32.52	---	94.78	14.17	13.82	21.40	---	25.18	
4-0 x 8-2	12.47	25.57	18.94	38.85	94.78	13.64	13.30	12.47	25.57	31.67	
5-0 x 8-2	16.42	33.47	24.94	50.85	94.78	20.30	19.78	16.42	33.47	39.72	
5-4 x 8-2	17.73	36.10	26.94	54.85	94.78	22.52	21.96	17.73	36.10	42.40	
6-0 x 8-2	20.36	41.37	30.94	62.85	94.78	26.96	26.28	20.36	41.37	47.76	
6-2 x 8-2	21.17	42.97	32.16	65.29	94.78	28.34	27.64	21.17	42.97	49.40	
2-1 x 9-0	14.02	---	19.27	---	104.78	7.67	7.50	14.02	---	17.99	
2-7 x 9-0	18.38	---	25.27	---	104.78	11.42	11.16	18.38	---	22.43	
2-9 x 9-0	19.84	---	27.27	---	104.78	12.67	12.39	19.84	---	23.90	
3-1 x 9-0	22.75	---	31.27	---	104.78	15.17	14.83	22.75	---	26.86	
3-2 x 9-0	23.66	---	32.52	---	104.78	15.95	15.59	23.66	---	27.79	
4-0 x 9-0	13.78	28.27	18.94	38.85	104.78	15.34	15.00	13.78	28.27	34.96	
5-0 x 9-0	18.15	37.00	24.94	50.85	104.78	22.84	22.32	18.15	37.00	43.83	
5-4 x 9-0	19.60	39.91	26.94	54.85	104.78	25.34	24.78	19.60	39.91	46.79	
6-0 x 9-0	22.51	45.73	30.94	62.85	104.78	30.34	29.66	22.51	45.73	52.71	
6-2 x 9-0	23.40	47.51	32.16	65.29	104.78	31.90	31.18	23.40	47.51	54.51	

# PREMIUM SERIES OUTSWING HINGED PATIO DOORS ADA SILL – 2-1/4" PANEL (8611)

## Opening Specifications

Ordering Size	Sq. Ft. Clear Opening		Clear Opening <sup>A</sup>			Sq. Ft. Daylight Opening		Sq. Ft. Vent		Sq. Ft. Overall Unit Area <sup>B</sup>
	1 Oper. Panel	2 Oper. Panels	Width		Height	10" Bottom Rail	12" Bottom Rail	1 Oper. Panel	2 Oper. Panels	
			1 Oper. Panel	2 Oper. Panels						
2-1 x 10-0	15.62	---	19.27	---	116.78	8.69	8.52	15.62	---	20.01
2-7 x 10-0	20.49	---	25.27	---	116.78	12.94	12.69	20.49	---	24.95
2-9 x 10-0	22.11	---	27.27	---	116.78	14.36	14.08	22.11	---	26.60
3-1 x 10-0	25.36	---	31.27	---	116.78	17.19	16.85	25.36	---	29.89
3-2 x 10-0	26.37	---	32.52	---	116.78	18.07	17.72	26.37	---	30.92
4-0 x 10-0	15.36	31.51	18.94	38.85	116.78	17.38	17.04	15.36	31.51	38.89
5-0 x 10-0	20.23	41.24	24.94	50.85	116.78	25.88	25.38	20.23	41.24	48.77
5-4 x 10-0	21.85	44.48	26.94	54.85	116.78	28.72	28.16	21.85	44.48	52.06
6-0 x 10-0	25.09	50.97	30.94	62.85	116.78	34.38	33.70	25.09	50.97	58.65
6-2 x 10-0	26.08	52.95	32.16	65.29	116.78	36.14	35.44	26.08	52.95	60.65

<sup>A</sup> All calculations assume operating panel is open 90 degrees.

<sup>B</sup> Sq. Ft. Overall Unit Area is calculated on the jamb dimension.

# PREMIUM SERIES IN SWING OR OUT SWING HINGED PATIO DOOR SIDELITES (8510/8610)

## Opening Specifications

Ordering Size	Sq. Ft. Daylight Opening			Sq. Ft. Overall Unit Area <sup>a</sup>		
	7-1/2" Bottom Rail	10" Bottom Rail	12" Bottom Rail	Standard Sill	ADA Sill	Low Profile Sill (Outswing Frame Only)
1-3 x 6-8	3.12	3.00	2.90	7.99	7.84	7.93
1-5 x 6-8	4.01	3.85	3.72	9.10	8.92	9.02
1-7 x 6-8	4.89	4.70	4.55	10.20	10.01	10.12
1-9 x 6-8	5.78	5.55	5.37	11.30	11.09	11.22
1-3 x 6-10	3.24	3.12	3.02	8.24	8.09	8.18
1-5 x 6-10	4.16	4.01	3.88	9.38	9.21	9.31
1-7 x 6-10	5.09	4.89	4.74	10.52	10.33	10.44
1-9 x 6-10	6.01	5.78	5.60	11.66	11.45	11.57
1-3 x 7-2	3.44	3.32	3.22	8.64	8.49	8.58
1-5 x 7-2	4.42	4.26	4.13	9.84	9.67	9.77
1-7 x 7-2	5.39	5.20	5.05	11.03	10.84	10.95
1-9 x 7-2	6.37	6.14	5.96	12.23	12.02	12.14
1-3 x 8-0	3.93	3.81	3.71	9.65	9.50	9.59
1-5 x 8-0	5.04	4.89	4.76	10.98	10.81	10.91
1-7 x 8-0	6.16	5.97	5.81	12.32	12.12	12.24
1-9 x 8-0	7.27	7.05	6.87	13.65	13.44	13.56
1-3 x 8-2	4.03	3.90	3.81	9.85	9.70	9.79
1-5 x 8-2	5.17	5.01	4.89	11.21	11.04	11.14
1-7 x 8-2	6.31	6.12	5.97	12.57	12.38	12.49
1-9 x 8-2	7.46	7.23	7.05	13.93	13.72	13.85
1-3 x 9-0	---	4.39	4.30	10.85	10.70	10.79
1-5 x 9-0	---	5.64	5.52	12.36	12.18	12.28
1-7 x 9-0	---	6.89	6.73	13.86	13.66	13.78
1-9 x 9-0	---	8.14	7.95	15.36	15.14	15.27
1-3 x 10-0	---	4.98	4.88	12.06	11.91	12.00
1-5 x 10-0	---	6.39	6.27	13.73	13.56	13.66
1-7 x 10-0	---	7.81	7.65	15.39	15.20	15.31
1-9 x 10-0	---	9.22	9.04	17.06	16.85	16.97

<sup>a</sup> Sq. Ft. Overall Unit Area is calculated on the jamb dimension.

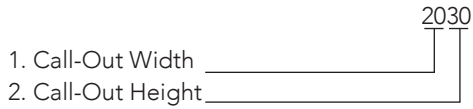
# PREMIUM SERIES BI-FOLD PATIO DOORS

## Bi-Fold Patio Door Table of Contents

Bi-Fold Patio Door Footnotes .....	107	Bi-Fold Patio Door Elevations .....	110
Bi-Fold Patio Door Quick Spec Guide .....	108	Bi-Fold Patio Door Cross Sections .....	113
Bi-Fold Patio Door Panel Configurations .....	109	Bi-Fold Patio Door Opening Specifications .....	116

### Size Codes:

The Weather Shield size code uses meaningful characters to denote standard sizes. For example:



### Product Information:

- Units show rectangular grille/SDL divisions.

# PREMIUM SERIES BI-FOLD PATIO DOORS (8607)

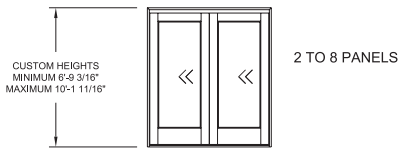
## Quick Spec Guide

SPECIFICATION	STANDARD FEATURES	OPTIONAL FEATURES
<b>EXTERIOR FINISH</b>	<ul style="list-style-type: none"> <li>White</li> <li>Cameo</li> <li>Tan</li> <li>Desert Tan</li> <li>Heritage Brown</li> <li>Adobe</li> <li>Craftsman Bronze</li> <li>Brick Red</li> <li>Hartford Green</li> <li>Gray Matters</li> <li>Obsidian</li> <li>Jet Black</li> </ul>	<ul style="list-style-type: none"> <li>4 Radiant Metallic</li> <li>45 Designer</li> <li>8 Anodized</li> <li>Custom Color</li> </ul>
<b>EXTERIOR TRIM</b>	<ul style="list-style-type: none"> <li>Integral Nail Fin</li> </ul>	<ul style="list-style-type: none"> <li>7/8" Brickmold</li> <li>1-11/16" Brickmold</li> <li>1-11/16" Flat Casing</li> <li>3-5/16" Flat Casing</li> <li>Historical Brickmould</li> </ul>
<b>INTERIOR FINISH</b>	<ul style="list-style-type: none"> <li>Natural</li> </ul>	<ul style="list-style-type: none"> <li>Clear Satin</li> <li>Fruitwood</li> <li>Rich Mahogany</li> <li>Primed</li> <li>Golden Oak</li> <li>Chestnut</li> <li>Prefinished White &amp; Black</li> <li>Poly – 12 Standard / 45 Designer</li> </ul>
<b>INTERIOR SPECIES</b>	<ul style="list-style-type: none"> <li>Pine</li> </ul>	<ul style="list-style-type: none"> <li>Oak</li> <li>Maple</li> <li>Alder (Character)</li> <li>Cherry</li> <li>Mahogany</li> <li>Douglas Fir</li> </ul>
<b>SIZE</b>	<ul style="list-style-type: none"> <li>Width</li> <li>Two Panel Doors - 6-1</li> <li>Three Panel Doors – 9-0</li> <li>Four Panel Doors – 11-11</li> <li>Five Panel Doors – 14-10</li> <li>Six Panel Doors – 17-8</li> <li>Seven Panel Doors – 20-7</li> <li>Eight Panel Doors – 23-6</li> <li>Height</li> <li>Bi-Fold Doors</li> <li>6-10, 7-0, 7-4, 8-2, 8-4, 9-2, 10-2</li> </ul>	<ul style="list-style-type: none"> <li>Two Panel Doors: Any jamb width: 48-9/32" to 80-15/16"</li> <li>Three Panel Doors: Any jamb width: 71-15/16" to 120-1/8"</li> <li>Four Panel Doors: Any jamb width: 93-29/32" to 146-25/32"</li> <li>Five Panel Doors: Any jamb width: 116-23/32" to 182-13/16"</li> <li>Six Panel Doors: Any jamb width: 139-17/32" to 218-27/32"</li> <li>Seven Panel Doors: Any jamb width: 162-11/32" to 276-3/4"</li> <li>Eight Panel Doors: Any jamb width: 185-5/32" to 290-29/32"</li> <li>Bi-Fold Doors: Any jamb height: 81-3/16" to 121-11/16"</li> </ul>
<b>GLAZING</b>	<ul style="list-style-type: none"> <li>Low-E Insulating Glass</li> <li>Tempered Glass</li> </ul>	<ul style="list-style-type: none"> <li>Clear IG</li> <li>Low-E 240</li> <li>Zo-e-shield 5</li> <li>Zo-e-shield Extreme</li> <li>Zo-e Shield 6 (laminated)</li> <li>Grey or Bronze Tint</li> <li>Obscure</li> </ul>
<b>GRILLES</b>		<ul style="list-style-type: none"> <li>GBG: 5/8" Flat or 11/16" Sculptured</li> <li>SDL: 5/8", 7/8", 1-1/8", 2"</li> <li>Wood Grille: 7/8"</li> </ul>
<b>HARDWARE</b>	<ul style="list-style-type: none"> <li>Adjustable hinge</li> </ul>	<ul style="list-style-type: none"> <li>5 point lock</li> <li>Style 1 Traditional, Style 2 Contemporary Handle</li> <li>No Key, Keyed Random, Keyed alike locks</li> </ul>
<b>HARDWARE COLOR</b>	<ul style="list-style-type: none"> <li>Stainless Steel (Hinges)</li> </ul>	<ul style="list-style-type: none"> <li>Brushed Nickel PVD (Handle)</li> <li>Oil Rubbed Bronze (Hinges &amp; Handle)</li> </ul>
<b>JAMB</b>	<ul style="list-style-type: none"> <li>5-5/16"</li> </ul>	<ul style="list-style-type: none"> <li>5-5/16 Min</li> <li>12" Max</li> </ul>
<b>SCREEN</b>	<ul style="list-style-type: none"> <li>No Screen</li> </ul>	<ul style="list-style-type: none"> <li>Retractable Screen</li> <li>Retractable Shade</li> </ul>
<b>SCREEN COLOR</b>	<ul style="list-style-type: none"> <li>Bronze</li> </ul>	<ul style="list-style-type: none"> <li>White</li> <li>Clear Anodized</li> <li>Wood Wrapped</li> </ul>
<b>RAILS</b>	<ul style="list-style-type: none"> <li>5" (top)</li> <li>10" (bottom)</li> </ul>	<ul style="list-style-type: none"> <li>12" (bottom)</li> </ul>
<b>SILL FINISH</b>	<ul style="list-style-type: none"> <li>Bronze Anodized</li> </ul>	<ul style="list-style-type: none"> <li>Clear Anodized</li> </ul>

BI-FOLD PATIO DOORS

# PREMIUM SERIES BI-FOLD PATIO DOORS

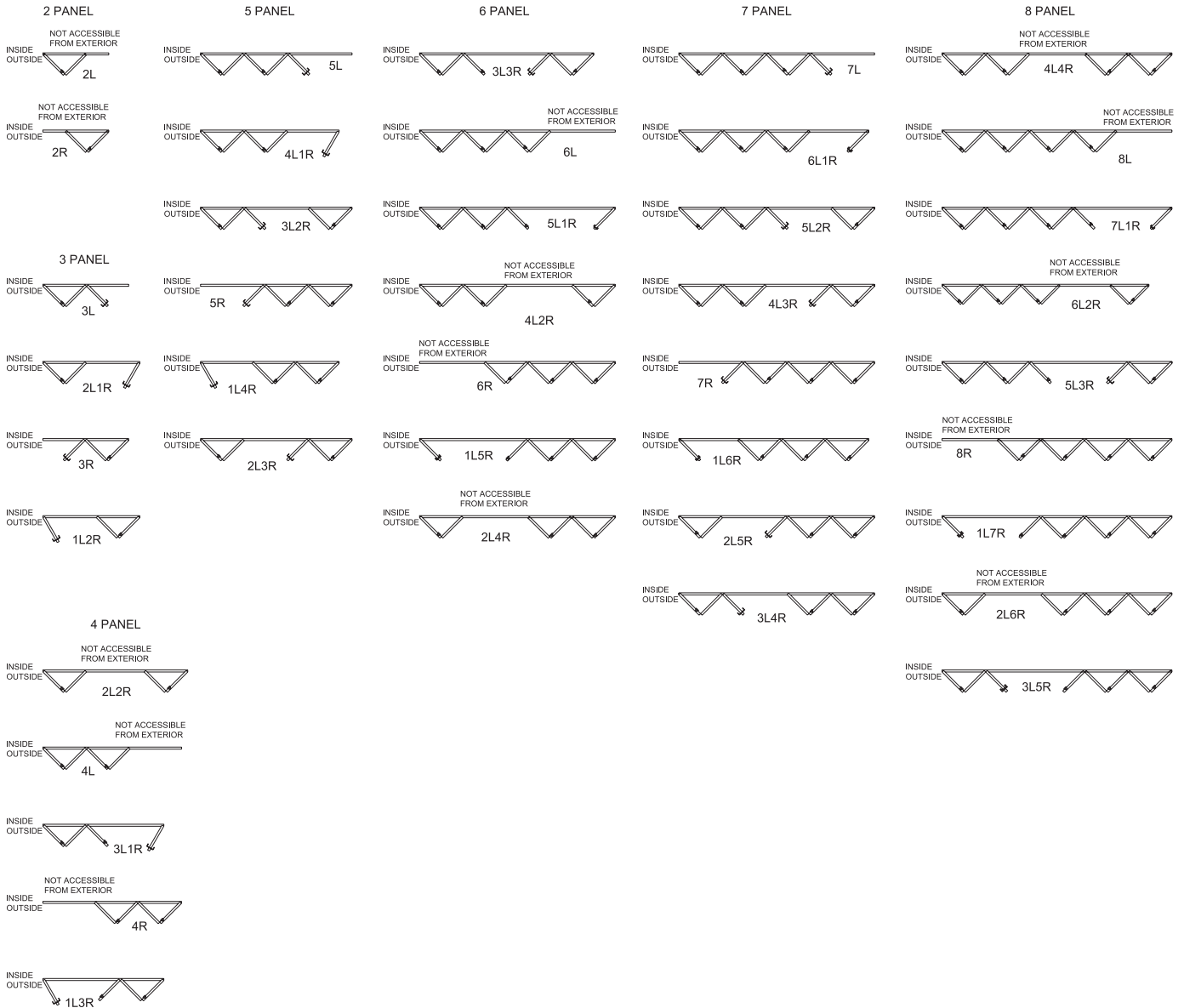
## Panel Configurations



### CUSTOM WIDTHS

NUMBER OF PANELS	MINIMUM JAMB WIDTH	MAXIMUM JAMB WIDTH
2	4'-0 9/32"	6'-8 15/16"
3	5'-11 15/16"	10'-0 27/32"
4	7'-8 29/32"	12'-2 25/32"
5	9'-8 23/32"	15'-2 13/16"
6	11'-7 17/32"	18'-2 27/32"
7	13'-6 11/32"	23'-0 3/4"
8	15'-5 5/32"	24'-2 29/32"

## PANEL CONFIGURATIONS

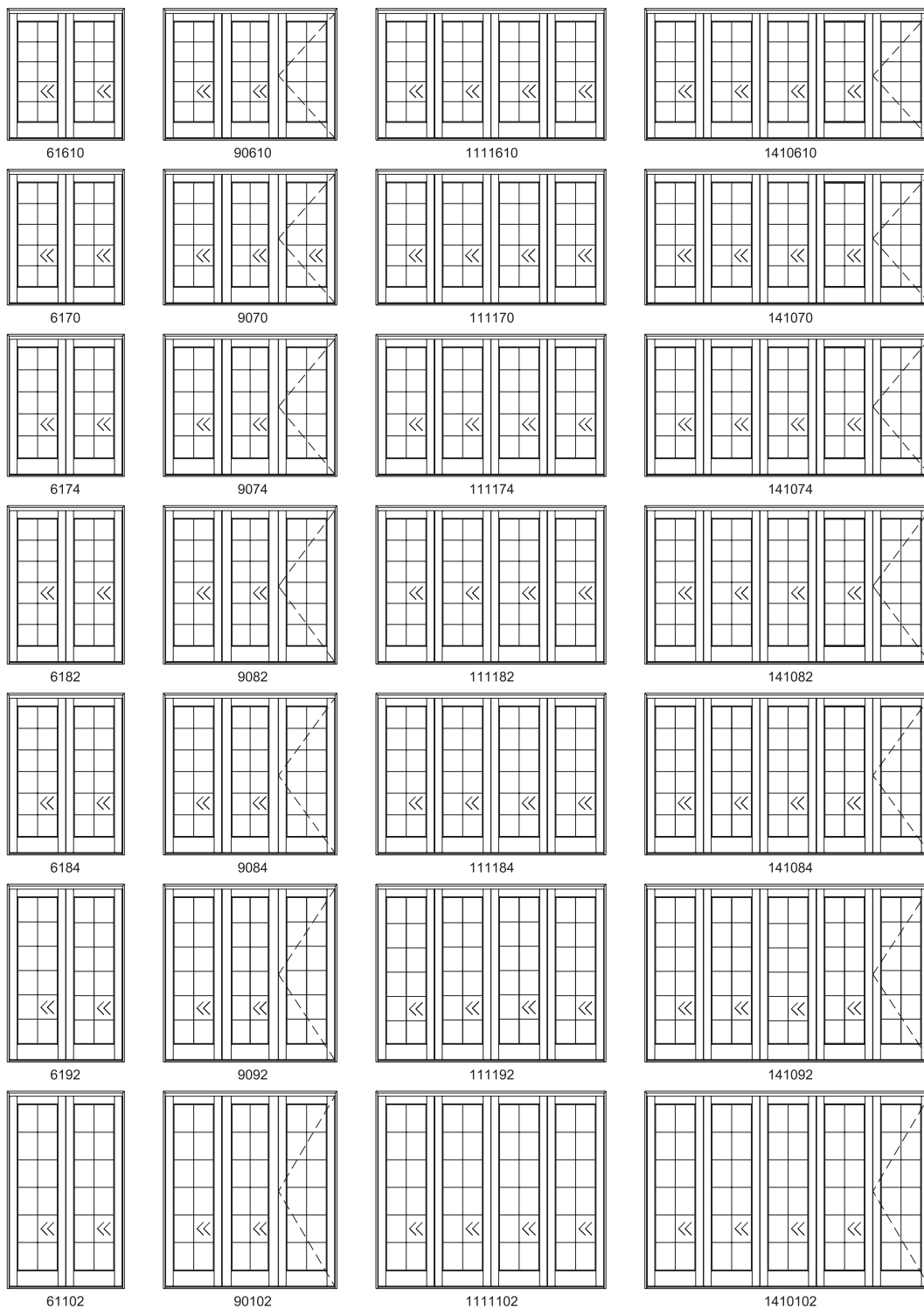


# PREMIUM SERIES BI-FOLD PATIO DOORS (8607)

## Elevations

Jamb Dimension	6'-0 9/32"	8'-11 3/32"	11'-9 29/32"	14'-8 23/32"
Rough Opening	6'-1 1/16"	8'-11 7/8"	11'-10 11/16"	14'-9 1/2"
Metric R.O. (mm)	1856	2740	3624	4509
Class Size	25 1/16"	25 1/16"	25 1/16"	25 1/16"

6'-9 3/16"	6'-9 3/16"	6'-9 3/16"	6'-9 3/16"
6'-9 11/16"	6'-9 11/16"	6'-9 11/16"	6'-9 11/16"
2075	2075	2075	2075
62 5/16"	62 5/16"	62 5/16"	62 5/16"
6'-11 11/16"	6'-11 11/16"	6'-11 11/16"	6'-11 11/16"
7'-0 3/16"	7'-0 3/16"	7'-0 3/16"	7'-0 3/16"
2138	2138	2138	2138
64 13/16"	64 13/16"	64 13/16"	64 13/16"
7'-3 11/16"	7'-3 11/16"	7'-3 11/16"	7'-3 11/16"
7'-4 3/16"	7'-4 3/16"	7'-4 3/16"	7'-4 3/16"
2240	2240	2240	2240
68 13/16"	68 13/16"	68 13/16"	68 13/16"
8'-1 11/16"	8'-1 11/16"	8'-1 11/16"	8'-1 11/16"
8'-2 3/16"	8'-2 3/16"	8'-2 3/16"	8'-2 3/16"
2494	2494	2494	2494
78 13/16"	78 13/16"	78 13/16"	78 13/16"
8'-3 11/16"	8'-3 11/16"	8'-3 11/16"	8'-3 11/16"
8'-4 3/16"	8'-4 3/16"	8'-4 3/16"	8'-4 3/16"
2545	2545	2545	2545
80 13/16"	80 13/16"	80 13/16"	80 13/16"
9'-1 11/16"	9'-1 11/16"	9'-1 11/16"	9'-1 11/16"
9'-2 3/16"	9'-2 3/16"	9'-2 3/16"	9'-2 3/16"
2799	2799	2799	2799
90 13/16"	90 13/16"	90 13/16"	90 13/16"
10'-1 11/16"	10'-1 11/16"	10'-1 11/16"	10'-1 11/16"
10'-2 3/16"	10'-2 3/16"	10'-2 3/16"	10'-2 3/16"
3104	3104	3104	3104
102 13/16"	102 13/16"	102 13/16"	102 13/16"



2L shown; 2R available

3L shown; 3R, 2L1R, 1L2R available

4L shown; 4R, 3L1R, 2L2R, 1L3R available

5L shown; 5R, 4L1R, 3L2R, 2L3R, 1L4R available

BI-FOLD PATIO DOORS



# PREMIUM SERIES BI-FOLD PATIO DOORS (8607)

## Elevations

Jamb Dimension	17'-7 17/32"	20'-6 11/32"
Rough Opening	17'-8 5/16"	20'-7 1/8"
Metric R.O. (mm)	5393	6277
Glass Size	25 1/16"	25 1/16"

6'-9 3/16"	6'-9 11/16"	2075	62 5/16"		
178610	207610				
6'-11 11/16"	7'-0 3/16"	2138	64 13/16"		
17870	20770				
7'-3 11/16"	7'-4 3/16"	2240	68 13/16"		
17874	20774				
8'-1 11/16"	8'-2 3/16"	2494	78 13/16"		
17882	20782				
8'-3 11/16"	8'-4 3/16"	2545	80 13/16"		
17884	20784				
9'-1 11/16"	9'-2 3/16"	2799	90 13/16"		
17892	20792				
10'-1 11/16"	10'-2 3/16"	3104	102 13/16"		
178102	207102				

6L shown; 6R, 5L1R, 4L2R, 3L3R,  
2L4R, 1L5R available

7L shown; 7R, 6L1R, 5L2R, 4L3R, 3L4R,  
2L1R, 1L6R available

BI-FOLD PATIO DOORS

# PREMIUM SERIES BI-FOLD PATIO DOORS (8607)

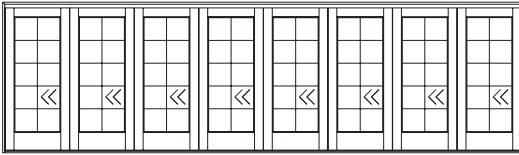
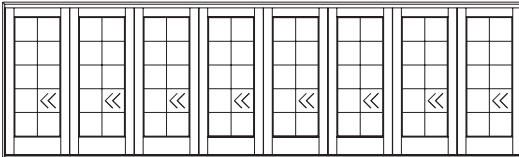
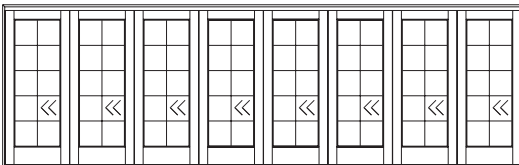
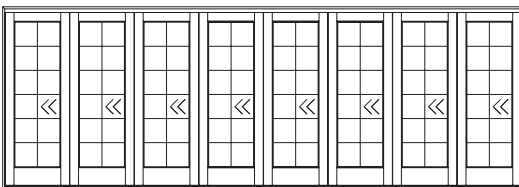
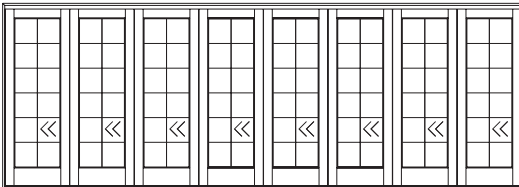
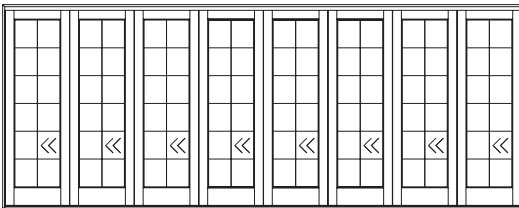
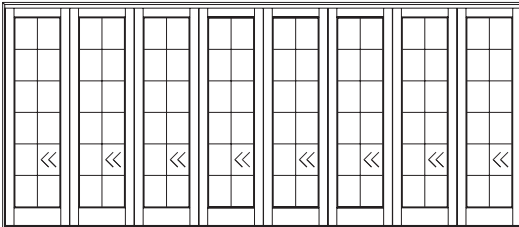
## Elevations

Jamb Dimension	23'-5 5/32"
Rough Opening	23'-5 15/16"
Metric R.O. (mm)	7161
Class Size	29 5/32"

6'-9 3/16"	6-11 11/16"	7'-3 11/16"	8'-1 11/16"	8'-3 11/16"	9'-1 11/16"	10'-1 11/16"
6'-9 11/16"	7'-0 3/16"	7'-4 3/16"	8'-2 3/16"	8'-4 3/16"	9'-2 3/16"	10'-2 3/16"
2075	2138	2240	2494	2545	2799	3104
62 5/16"	64 13/16"	68 13/16"	78 13/16"	80 13/16"	90 13/16"	102 13/16"

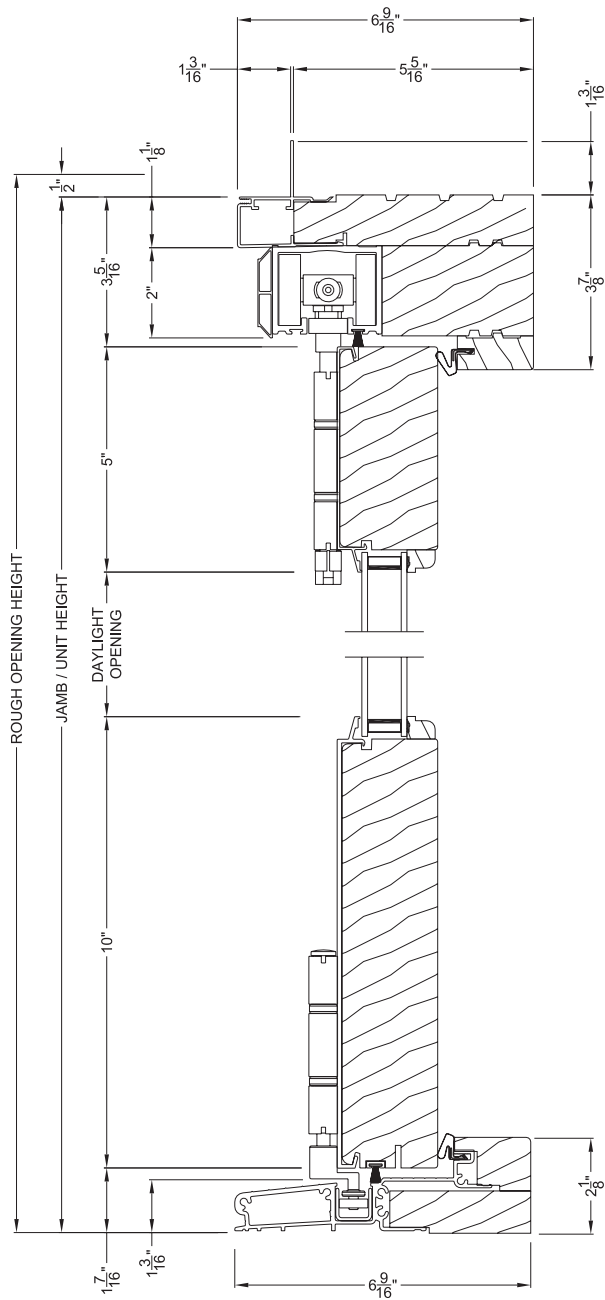

236610

23670

23674

23682

23684

23692

236102

8L shown; 8R, 7L1r, 6L2R, 5L3R, 4L4R, 3L5R,  
2L6R, 1L7R available

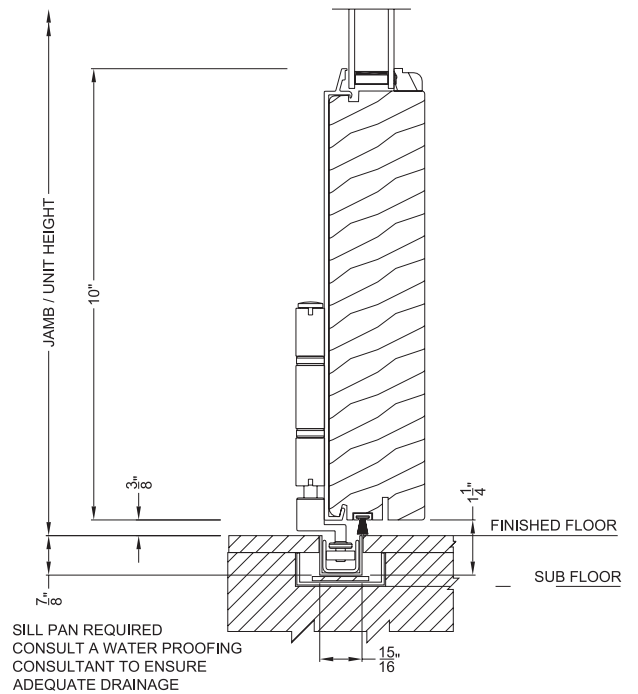
BI-FOLD PATIO DOORS

# PREMIUM SERIES BI-FOLD PATIO DOORS (8607)

## Cross Sections



**PREMIUM BI-FOLD DOOR (8607)**  
Vertical Section - Standard Sill



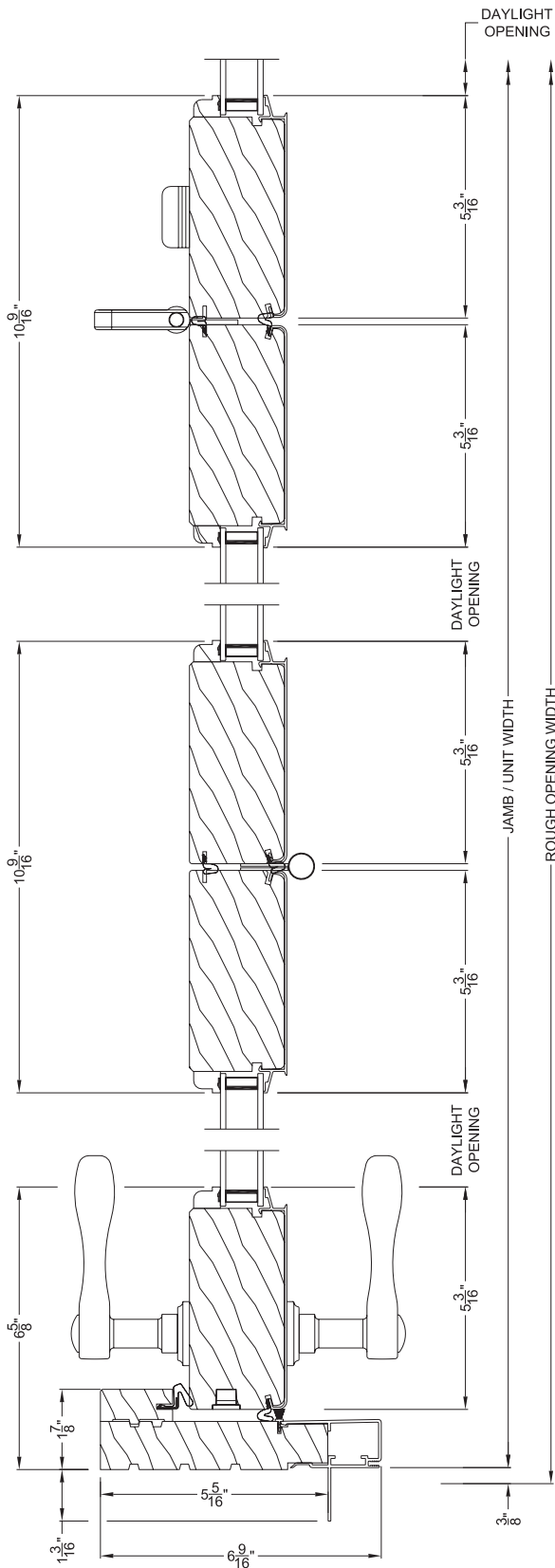
**PREMIUM BI-FOLD DOOR (8607)**  
Vertical Section - Flush Sill

Note: All dimensions are approximate. Weather Shield reserves the right to change specifications without notice.

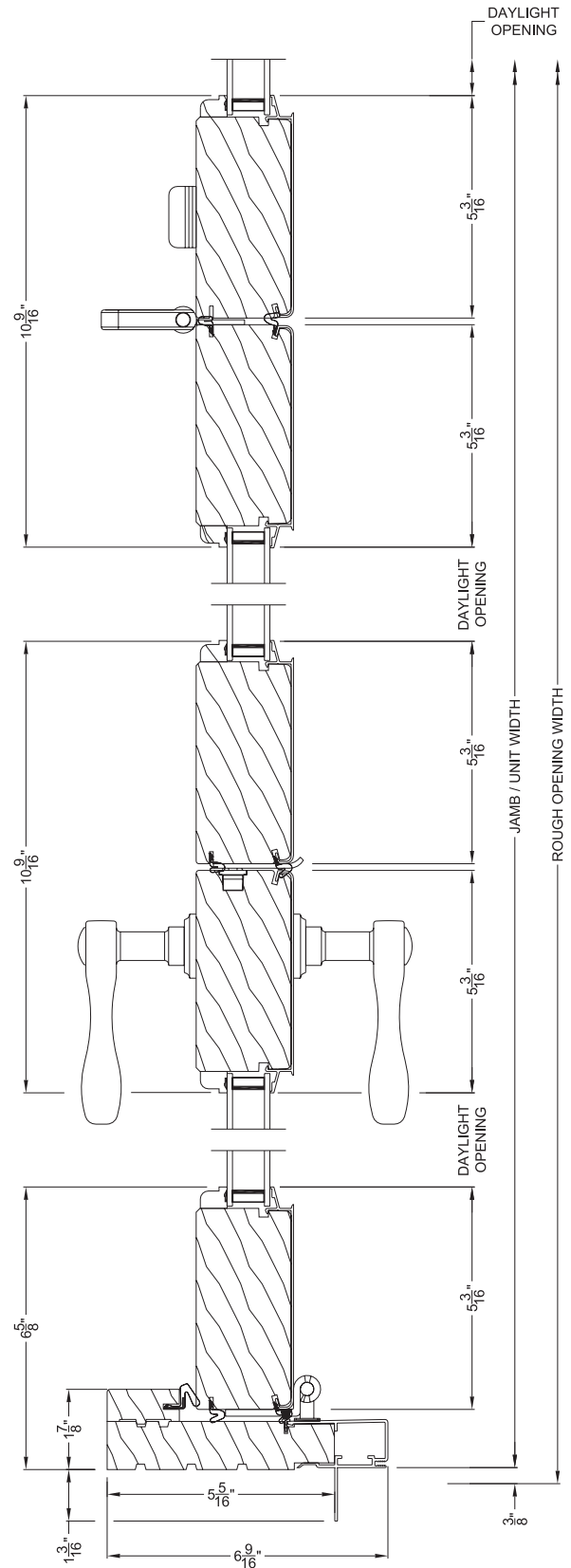
# PREMIUM SERIES BI-FOLD PATIO DOORS (8607)

## Cross Sections

BI-FOLD PATIO DOORS



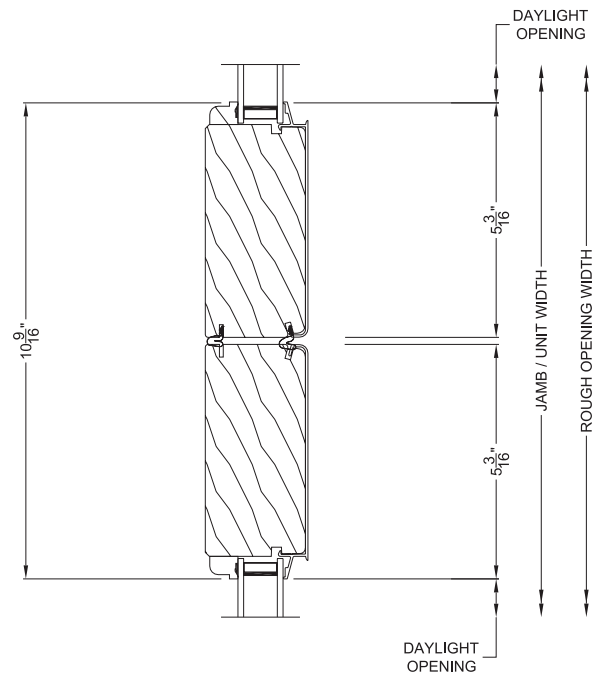
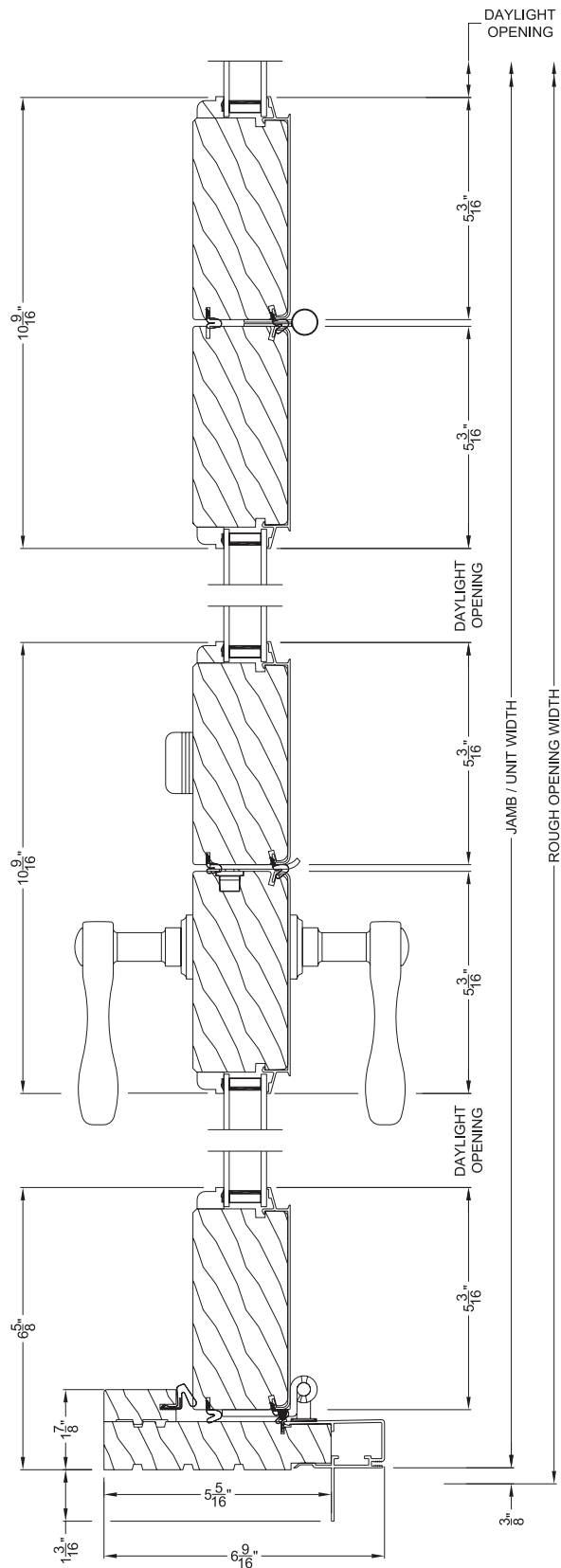
PREMIUM BI-FOLD DOOR (8607)  
Horizontal Section



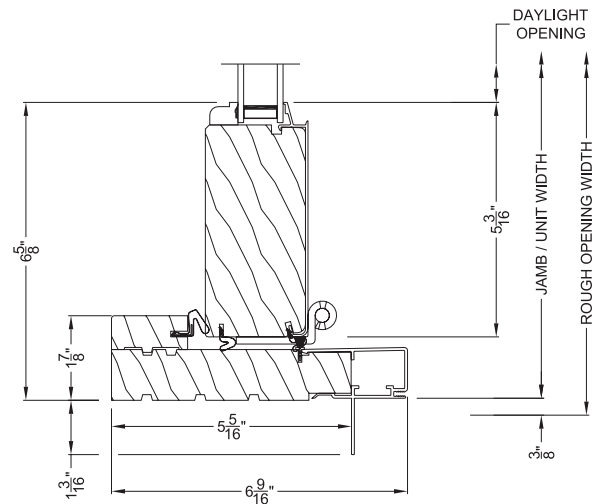
Note: All dimensions are approximate. Weather Shield reserves the right to change specifications without notice.

# PREMIUM SERIES BI-FOLD PATIO DOORS (8607)

## Cross Sections



PREMIUM BI-FOLD DOOR (8607)  
Horizontal Section



Note: All dimensions are approximate. Weather Shield reserves the right to change specifications without notice.

# PREMIUM SERIES BI-FOLD PATIO DOORS (8607)

## Opening Specifications

	Unit Code	Sq. Ft. Clear Opening	Clear Opening		Sq. Ft. Daylight Opening	Sq. Ft. Vent	Sq. Ft. Overall Unit Area <sup>a</sup>
			Width	Height			
2 Panel Doors	6-2 x 6-10	31.64	60.59	75.19	20.66	31.64	40.75
	6-2 x 7-0	32.69	60.59	77.69	21.50	32.69	42.01
	6-2 x 7-4	34.37	60.59	81.69	22.86	34.37	44.02
	6-2 x 8-2	38.58	60.59	91.69	26.22	38.58	49.03
	6-2 x 8-4	39.42	60.59	93.69	26.88	39.42	50.04
	6-2 x 9-2	43.63	60.59	103.69	30.26	43.63	55.06
	6-2 x 10-2	48.68	60.59	115.69	34.28	48.68	61.08
3 Panel Doors	9-0 x 6-10	48.31	92.53	75.19	30.99	48.31	60.38
	9-0 x 7-0	49.92	92.53	77.69	32.25	49.92	62.24
	9-0 x 7-4	52.49	92.53	81.69	34.29	52.49	65.21
	9-0 x 8-2	58.92	92.53	91.69	39.33	58.92	72.65
	9-0 x 8-4	60.20	92.53	93.69	40.32	60.20	74.14
	9-0 x 9-2	66.63	92.53	103.69	45.39	66.63	81.58
	9-0 x 10-2	74.34	92.53	115.69	51.42	74.34	90.50
4 Panel Doors	11-11 x 6-10	64.99	124.47	75.19	41.32	64.99	80.01
	11-11 x 7-0	67.15	124.47	77.69	43.00	67.15	82.47
	11-11 x 7-4	70.61	124.47	81.69	45.72	70.61	86.41
	11-11 x 8-2	79.25	124.47	91.69	52.44	79.25	96.27
	11-11 x 8-4	80.98	124.47	93.69	53.76	80.98	98.24
	11-11 x 9-2	89.62	124.47	103.69	60.52	89.62	108.09
	11-11 x 10-2	100.00	124.47	115.69	68.56	100.00	119.92
5 Panel Doors	14-10 x 6-10	81.67	156.41	75.19	51.65	81.67	99.63
	14-10 x 7-0	84.38	156.41	77.69	53.75	84.38	102.70
	14-10 x 7-4	88.73	156.41	81.69	57.15	88.73	107.61
	14-10 x 8-2	99.59	156.41	91.69	65.55	99.59	119.88
	14-10 x 8-4	101.76	156.41	93.69	67.20	101.76	122.34
	14-10 x 9-2	112.62	156.41	103.69	75.65	112.62	134.61
	14-10 x 10-2	125.65	156.41	115.69	85.70	125.65	149.34
6 Panel Doors	17-9 x 6-10	98.34	188.34	75.19	61.98	98.34	119.26
	17-9 x 7-0	101.61	188.34	77.69	64.50	101.61	122.93
	17-9 x 7-4	106.84	188.34	81.69	68.58	106.84	128.81
	17-9 x 8-2	119.92	188.34	91.69	78.66	119.92	143.50
	17-9 x 8-4	122.54	188.34	93.69	80.64	122.54	146.44
	17-9 x 9-2	135.62	188.34	103.69	90.78	135.62	161.13
	17-9 x 10-2	151.31	188.34	115.69	102.84	151.31	178.75
7 Panel Doors	20-8 x 6-10	115.02	220.28	75.19	72.31	115.02	138.89
	20-8 x 7-0	118.84	220.28	77.69	75.25	118.84	143.17
	20-8 x 7-4	124.96	220.28	81.69	80.01	124.96	150.01
	20-8 x 8-2	140.26	220.28	91.69	91.77	140.26	167.12
	20-8 x 8-4	143.32	220.28	93.69	94.08	143.32	170.54
	20-8 x 9-2	158.61	220.28	103.69	105.91	158.61	187.64
	20-8 x 10-2	176.97	220.28	115.69	119.98	176.97	208.17
8 Panel Doors	26-6 x 6-10	131.69	252.22	75.19	82.64	131.69	158.52
	26-6 x 7-0	136.07	252.22	77.69	86.00	136.07	163.40
	26-6 x 7-4	143.08	252.22	81.69	91.44	143.08	171.21
	26-6 x 8-2	160.59	252.22	91.69	104.88	160.59	190.73
	26-6 x 8-4	164.10	252.22	93.69	107.52	164.10	194.64
	26-6 x 9-2	181.61	252.22	103.69	121.04	181.61	214.16
	26-6 x 10-2	202.63	252.22	115.69	137.12	202.63	237.59

<sup>a</sup> Sq. Ft. Overall Unit Area is calculated on the jamb dimension.

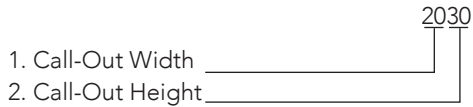
# PREMIUM SERIES SLIDING PATIO DOORS

## Sliding Patio Door Table of Contents

Sliding Patio Door Footnotes.....	117	French Sliding Patio Door Quick Spec Guide.....	125
Sliding Patio Door Quick Spec Guide .....	118	French Sliding Patio Door Elevations .....	126
Sliding Patio Door Elevations .....	119	French Sliding Patio Door Cross Sections.....	129
Sliding Patio Door Cross Sections .....	122	French Sliding Patio Door Opening Specifications.....	131
Sliding Patio Door Opening Specifications .....	124		

### Size Codes:

The Weather Shield size code uses meaningful characters to denote standard sizes. For example:



### Product Information:

- Units show rectangular grille/SDL divisions.
- 2-Panel Sliding doors available as XO or OX as viewed from the exterior.
- 3-Panel Sliding doors available as OXS, SXO, SOX, XOS as viewed from the exterior.
- 4-Panel Sliding doors are OXXO as viewed from the exterior.
- X = Active Panel, O = Inactive Panel, S = Stationary Panel

# PREMIUM SERIES SLIDING PATIO DOORS (8714)

## Quick Spec Guide

SPECIFICATION	STANDARD FEATURES	OPTIONAL FEATURES
<b>EXTERIOR FINISH</b>	<ul style="list-style-type: none"> <li>White</li> <li>Cameo</li> <li>Tan</li> <li>Desert Tan</li> <li>Heritage Brown</li> <li>Adobe</li> <li>Craftsman Bronze</li> <li>Brick Red</li> <li>Hartford Green</li> <li>Gray Matters</li> <li>Obsidian</li> <li>Jet Black</li> </ul>	<ul style="list-style-type: none"> <li>4 Radiant Metallic</li> <li>45 Designer</li> <li>8 Anodized</li> <li>Custom Color</li> </ul>
<b>EXTERIOR TRIM</b>	<ul style="list-style-type: none"> <li>Integral Nail Fin</li> </ul>	<ul style="list-style-type: none"> <li>7/8" Brickmold</li> <li>1-11/16" Brickmold</li> <li>1-11/16" Flat Casing</li> <li>3-5/16" Flat Casing</li> <li>Historical Brickmould</li> </ul>
<b>INTERIOR FINISH</b>	<ul style="list-style-type: none"> <li>Natural</li> </ul>	<ul style="list-style-type: none"> <li>Clear Satin</li> <li>Fruitwood</li> <li>Rich Mahogany</li> <li>Primed</li> <li>Golden Oak</li> <li>Chestnut</li> <li>Prefinished White &amp; Black</li> <li>Poly – 12 Standard / 45 Designer</li> </ul>
<b>INTERIOR SPECIES</b>	<ul style="list-style-type: none"> <li>Pine</li> </ul>	<ul style="list-style-type: none"> <li>Oak</li> <li>Maple</li> <li>Alder (Character)</li> <li>Cherry</li> <li>Mahogany</li> <li>Douglas Fir</li> </ul>
<b>SIZE</b>	<ul style="list-style-type: none"> <li>Width</li> <li>Single Panel Doors 2-9, 3-3, 4-3</li> <li>Two Panel Doors 5-0, 6-0, 6-10, 8-0</li> <li>Three Panel Doors 7-8, 9-2, 12-2</li> <li>Four Panel Doors 9-10, 11-10, 15-10</li> <li>Height</li> <li>Sliding Doors 6-8, 6-10, 7-2, 8-0, 8-2</li> </ul>	<ul style="list-style-type: none"> <li>Single Panel Doors: Any jamb width: 15-3/8" to 53-29/32"</li> <li>Two Panel Doors: Any jamb width: 43-13/16" to 101-1/4"</li> <li>Three Panel Doors: Any jamb width: 67-1/4" to 144-13/16"</li> <li>Four Panel Doors: Any jamb width: 85-3/4" to 189-1/4"</li> <li>Sliding Doors: Any jamb height: 60" to 98"</li> </ul>
<b>GLAZING</b>	<ul style="list-style-type: none"> <li>Low-E Insulating Glass</li> <li>Tempered Glass</li> </ul>	<ul style="list-style-type: none"> <li>Clear IG</li> <li>Low-E 240</li> <li>Zo-e-shield 5</li> <li>Zo-e-shield Extreme</li> <li>Zo-e Shield 6 (laminated)</li> <li>Grey or Bronze Tint</li> <li>Obscure</li> </ul>
<b>GRILLES</b>		<ul style="list-style-type: none"> <li>GBG: 5/8" Flat or 11/16" Sculptured</li> <li>SDL: 5/8", 7/8", 1-1/8", 2"</li> </ul>
<b>HARDWARE</b>	<ul style="list-style-type: none"> <li>3 point lock</li> <li>Arch top escutcheon plate</li> <li>No Key lock</li> <li>Standard rollers</li> </ul>	<ul style="list-style-type: none"> <li>Two point lock</li> <li>Square top escutcheon plate</li> <li>Keyed alike locks</li> <li>Keyed random locks</li> <li>Stainless Steel rollers</li> <li>Foot activated Security Bolt</li> </ul>
<b>HARDWARE COLOR</b>	<ul style="list-style-type: none"> <li>Bright Brass PVD</li> <li>Antique Brass</li> <li>Black</li> </ul>	<ul style="list-style-type: none"> <li>Brushed Nickel PVD</li> <li>Oil Rubbed Bronze</li> <li>Chrome</li> </ul>
<b>JAMB</b>	<ul style="list-style-type: none"> <li>4-9/16"</li> </ul>	<ul style="list-style-type: none"> <li>4-9/16 Min</li> <li>12" Max</li> </ul>
<b>SCREEN</b>	<ul style="list-style-type: none"> <li>Premium sliding screen</li> </ul>	<ul style="list-style-type: none"> <li>Standard sliding screen</li> </ul>
<b>SCREEN COLOR</b>	<ul style="list-style-type: none"> <li>Matches exterior color</li> </ul>	

SLIDING PATIO DOORS



# PREMIUM SERIES SLIDING PATIO DOORS (8714)

## Elevations

Jamb Dimension	4'-11 9/16"	5'-11 9/16"	6'-9 9/16"	7'-11 9/16"	2'-8 1/4"	3'-2 1/4"	4'-2 1/4"
Rough Opening	5'-0 5/16"	6'-0 5/16"	6'-10 5/16"	8'-0 5/16"	2'-9"	3'-3"	4'-3"
Metric R.O. (mm)	1532	1837	2091	2446	838	991	1295
Class Size	24 7/8"	30 7/8"	35 7/8"	42 7/8"	24 7/8"	30 7/8"	42 7/8"
6'-7 1/2"							
6'-8"							
2032							
71 7/16"							
6'-10"							
6'-10 1/2"							
2096							
73 15/16"							
7'-2"							
7'-2 1/2"							
2197							
77 15/16"							
8'-0"							
8'-0 1/2"							
2451							
87 15/16"							
8'-2"							
8'-2 1/2"							
2502							
89 15/16"							

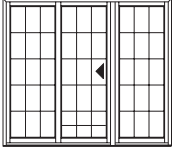
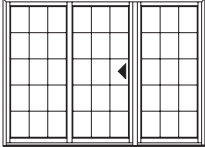
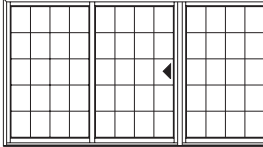
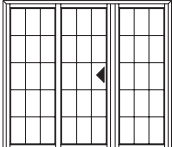
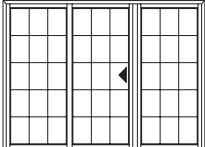
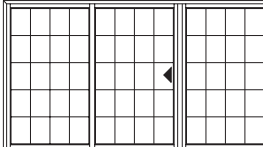
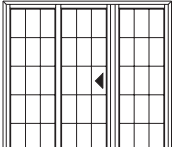
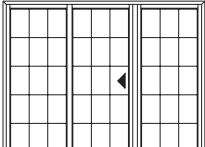
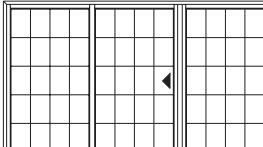
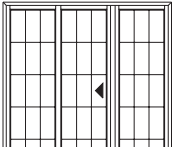
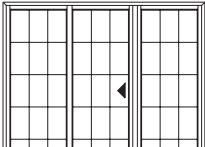
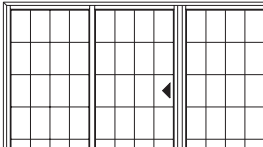
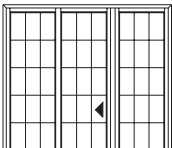
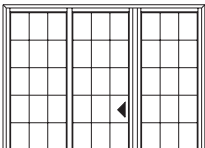
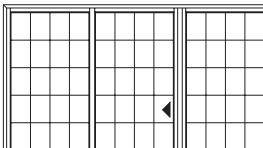
NOTE: Two panel units are also available in reverse operation (XO)

# PREMIUM SERIES SLIDING PATIO DOORS (8714)

## Elevations

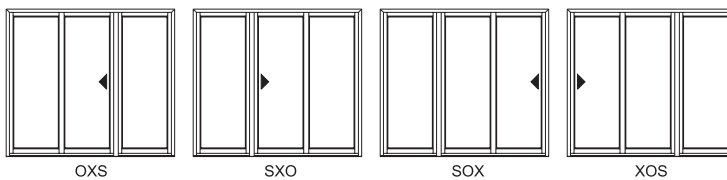
Jamb Dimension	7'-6 27/32"	9'-0 27/32"	12'-0 27/32"
Rough Opening	7'-7 19/32"	9'-1 19/32"	12'-1 19/32"
Metric R.O. (mm)	2327	2784	3698
Class Size	24 7/8"	30 7/8"	42 7/8"

6'-7 1/2"	6'-8"	2032	71 7/16"			
7868	9268	12268				
6'-10"	6'-10 1/2"	2096	73 15/16"			
78610	92610	122610				
7'-2"	7'-2 1/2"	2197	77 15/16"			
7872	9272	12272				
8'-0"	8'-0 1/2"	2451	87 15/16"			
7880	9280	12280				
8'-2"	8'-2 1/2"	2502	89 15/16"			
7882	9282	12282				

SLIDING PATIO DOORS

### Sliding Patio Door Operating Codes



# PREMIUM SERIES SLIDING PATIO DOORS (8714)

## Elevations

Jamb Dimension	9'-9 1/4"	11'-9 1/4"	15'-9 1/4"
Rough Opening	9'-10"	11'-10"	15'-10"
Metric R.O. (mm)	2997	3607	4826
Class Size	24 7/8"	30 7/8"	42 7/8"

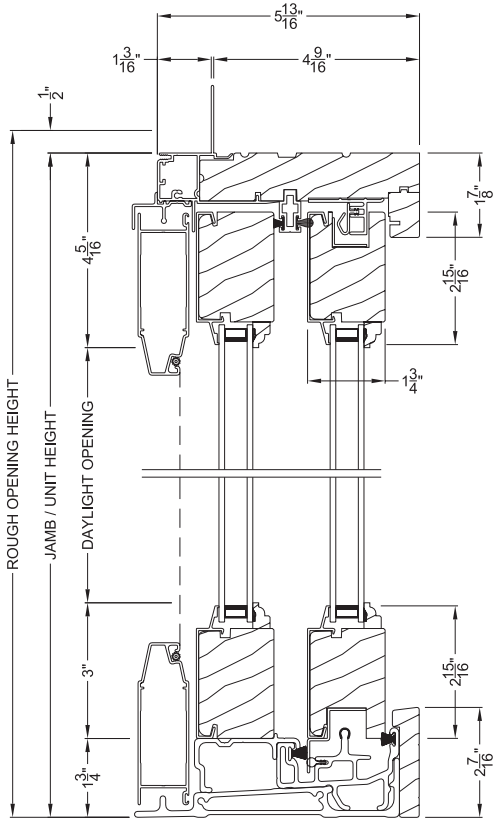
  

6'-7 1/2"			
6'-8"	91068	111068	151068
2032			
71 7/16"			
6'-10"			
6'-10 1/2"	910610	1110610	1510610
2096			
73 15/16"			
7'-2"			
7'-2 1/2"	91072	111072	151072
2197			
77 15/16"			
8'-0"			
8'-0 1/2"	91080	111080	151080
2451			
87 15/16"			
8'-2"			
8'-2 1/2"	91082	111082	151082
2502			
89 15/16"			

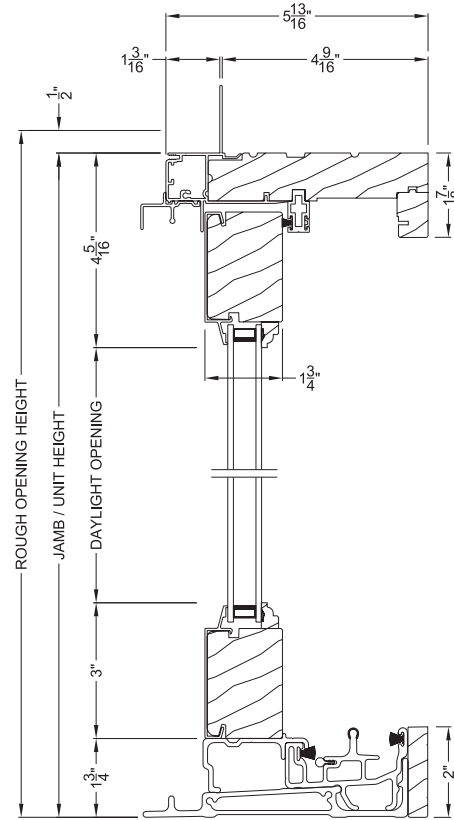
NOTE: Both center panels operate. Left panel is the primary.

# PREMIUM SERIES SLIDING PATIO DOORS (8714)

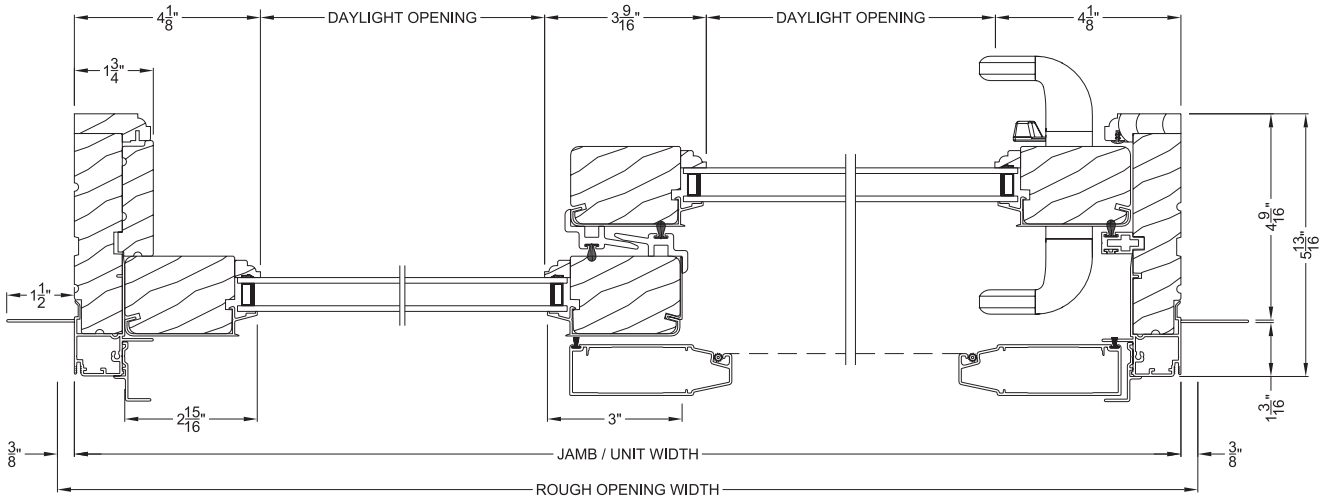
## Cross Sections



**PREMIUM SLIDING PATIO DOOR (8714)**  
Vertical Section



**PREMIUM SLIDING PATIO DOOR (8714)**  
Vertical Section - Fixed Sidelite with Optional Low profile sill stop



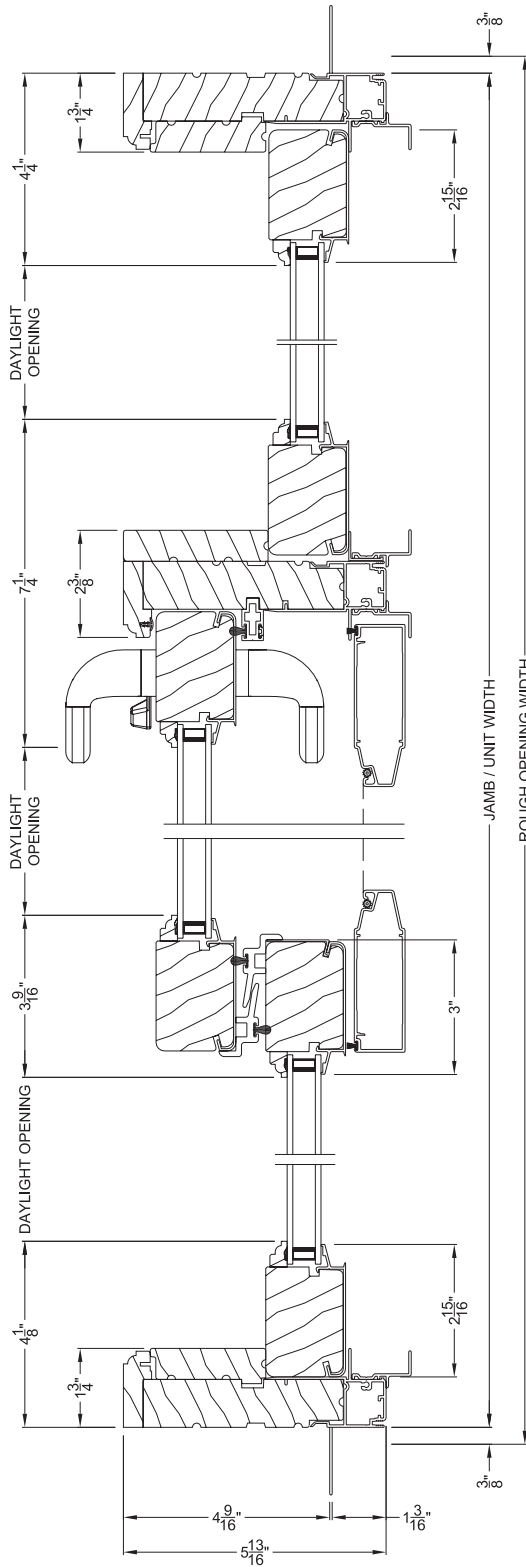
**PREMIUM SLIDING PATIO DOOR (8714)**  
Horizontal Section

Note: All dimensions are approximate. Weather Shield reserves the right to change specifications without notice.

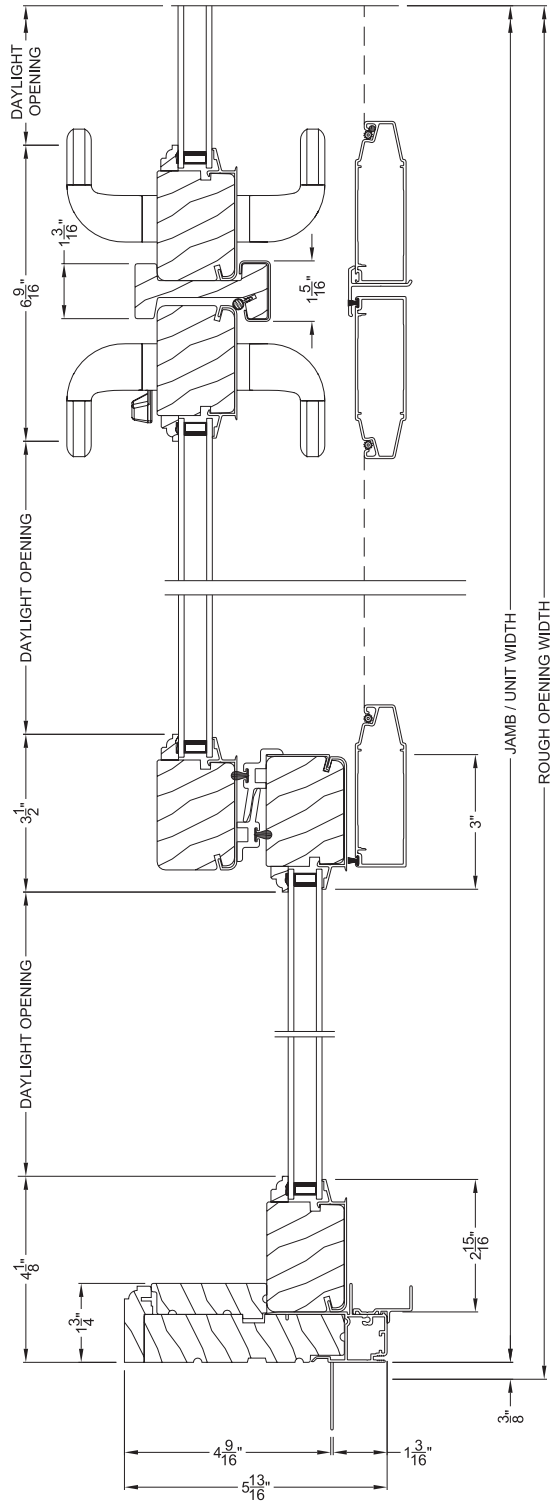
SLIDING PATIO DOORS

# PREMIUM SERIES SLIDING PATIO DOORS (8714)

## Cross Sections



**PREMIUM SLIDING PATIO DOOR (8714)**  
Horizontal Section - 3 Panel Door



**PREMIUM SLIDING PATIO DOOR (8714)**  
Horizontal Section - 4-Panel Door

Note: All dimensions are approximate. Weather Shield reserves the right to change specifications without notice.

# PREMIUM SERIES SLIDING PATIO DOORS (8714)

## Opening Specifications

	Unit Code	Sq. Ft. Clear Opening	Clear Opening		Sq. Ft. Daylight Opening	Sq. Ft. Vent	Sq. Ft. Overall Unit Area <sup>a</sup>
			Width	Height <sup>b</sup>			
2 Panel Doors	5-0 x 6-8	11.33	21.69	75.25	23.52	11.33	32.88
	6-0 x 6-8	14.47	27.69	75.25	29.40	14.47	39.51
	6-10 x 6-8	17.08	32.69	75.25	34.30	17.08	45.03
	8-0 x 6-8	20.74	39.69	75.25	41.16	20.74	52.76
	5-0 x 6-10	11.63	21.53	77.75	24.36	11.63	33.74
	6-0 x 6-10	14.86	27.53	77.75	30.44	14.86	40.57
	6-10 x 6-10	15.52	28.75	77.75	35.52	15.52	41.96
	8-0 x 6-10	21.43	39.69	77.75	42.62	21.43	54.42
	5-0 x 7-2	12.22	21.53	81.75	25.68	12.22	35.39
	6-0 x 7-2	15.63	27.53	81.75	32.10	15.63	42.55
	6-10 x 7-2	16.32	28.75	81.75	37.46	16.32	44.01
	8-0 x 7-2	22.53	39.69	81.75	44.96	22.53	57.07
	5-0 x 8-0	13.72	21.53	91.75	29.02	13.72	39.50
	6-0 x 8-0	17.54	27.53	91.75	36.28	17.54	47.50
	6-10 x 8-0	18.32	28.75	91.75	42.32	18.32	49.13
	8-0 x 8-0	25.29	39.69	91.75	50.78	25.29	63.71
	5-0 x 8-2	14.02	21.53	93.75	29.68	14.02	40.32
	6-0 x 8-2	17.92	27.53	93.75	37.10	17.92	48.49
6-10 x 8-2	18.72	28.75	93.75	43.30	18.72	50.15	
8-0 x 8-2	25.84	39.69	93.75	51.96	25.84	65.04	
3 Panel Doors	7-8 x 6-8	11.33	21.67	75.25	35.28	11.33	50.15
	9-2 x 6-8	14.46	27.67	75.25	44.10	14.46	60.09
	12-2 x 6-8	20.73	39.67	75.25	61.74	20.73	79.97
	7-8 x 6-10	11.70	21.67	77.75	36.54	11.70	51.73
	9-2 x 6-10	14.94	27.67	77.75	45.66	14.94	61.98
	12-2 x 6-10	21.42	39.67	77.75	63.93	21.42	82.48
	7-8 x 7-2	12.30	21.67	81.75	38.52	12.30	54.25
	9-2 x 7-2	15.71	27.67	81.75	48.15	15.71	65.00
	12-2 x 7-2	22.52	39.67	81.75	67.44	22.52	86.50
	7-8 x 8-0	13.81	21.67	91.75	43.53	13.81	60.56
	9-2 x 8-0	17.63	27.67	91.75	54.42	17.63	72.56
	12-2 x 8-0	25.28	39.67	91.75	76.17	25.28	96.56
	7-8 x 8-2	14.11	21.67	93.75	44.52	14.11	61.82
	9-2 x 8-2	18.02	27.67	93.75	55.65	18.02	74.07
12-2 x 8-2	25.83	39.67	93.75	77.94	25.83	98.57	
4 Panel Doors <sup>c</sup>	9-10 x 6-8	23.04	44.09	75.25	47.04	23.04	64.73
	11-10 x 6-8	29.31	56.09	75.25	58.80	29.31	77.98
	15-10 x 6-8	41.85	80.09	75.25	82.32	41.85	104.48
	9-10 x 6-10	23.80	44.09	77.75	48.72	23.80	66.77
	11-10 x 6-10	30.28	56.09	77.75	60.88	30.28	80.43
	15-10 x 6-10	43.24	80.09	77.75	85.24	43.24	107.77
	9-10 x 7-2	25.03	44.09	81.75	51.36	25.03	70.02
	11-10 x 7-2	31.84	56.09	81.75	64.20	31.84	84.36
	15-10 x 7-2	45.46	80.09	81.75	89.92	45.46	113.02
	9-10 x 8-0	28.09	44.09	91.75	58.04	28.09	78.17
	11-10 x 8-0	35.73	56.09	91.75	72.56	35.73	94.17
	15-10 x 8-0	51.03	80.09	91.75	101.56	51.03	126.17
	9-10 x 8-2	28.70	44.09	93.75	59.36	28.70	79.80
	11-10 x 8-2	36.51	56.09	93.75	74.20	36.51	96.13
15-10 x 8-2	52.14	80.09	93.75	103.92	52.14	128.80	

<sup>a</sup> Sq. Ft. Overall Unit Area is calculated on the jamb dimension.

<sup>b</sup> Clear Opening Height dimensions calculated without screen.

<sup>c</sup> 4 Panel door width is calculated with both center panels open

# PREMIUM SERIES FRENCH SLIDING PATIO DOORS (8715)

## Quick Spec Guide

SPECIFICATION	STANDARD FEATURES	OPTIONAL FEATURES
<b>EXTERIOR FINISH</b>	<ul style="list-style-type: none"> <li>White</li> <li>Cameo</li> <li>Tan</li> <li>Desert Tan</li> <li>Heritage Brown</li> <li>Adobe</li> </ul>	<ul style="list-style-type: none"> <li>Craftsman Bronze</li> <li>Brick Red</li> <li>Hartford Green</li> <li>Gray Matters</li> <li>Obsidian</li> <li>Jet Black</li> </ul>
<b>EXTERIOR TRIM</b>	<ul style="list-style-type: none"> <li>Integral Nail Fin</li> </ul>	<ul style="list-style-type: none"> <li>4 Radiant Metallic</li> <li>45 Designer</li> <li>8 Anodized</li> <li>Custom Color</li> </ul>
<b>INTERIOR FINISH</b>	<ul style="list-style-type: none"> <li>Natural</li> </ul>	<ul style="list-style-type: none"> <li>7/8" Brickmold</li> <li>1-11/16" Brickmold</li> <li>1-11/16" Flat Casing</li> <li>3-5/16" Flat Casing</li> <li>Historical Brickmould</li> </ul>
<b>INTERIOR SPECIES</b>	<ul style="list-style-type: none"> <li>Pine</li> </ul>	<ul style="list-style-type: none"> <li>Clear Satin</li> <li>Fruitwood</li> <li>Rich Mahogany</li> <li>Primed</li> <li>Golden Oak</li> <li>Chestnut</li> <li>Prefinished White &amp; Black</li> <li>Poly – 12 Standard / 45 Designer</li> </ul>
<b>SIZE</b>	<ul style="list-style-type: none"> <li>Width</li> <li>Single Panel Doors</li> <li>2-10, 3-4, 4-4</li> <li>Two Panel Doors</li> <li>5-0, 6-0, 8-0</li> <li>Three Panel Doors</li> <li>7-9, 9-3, 12-3</li> <li>Four Panel Doors</li> <li>9-10, 11-10, 15-10</li> <li>Height</li> <li>French Sliding Doors</li> <li>6-8, 6-10, 7-2, 8-0, 8-2</li> </ul>	<ul style="list-style-type: none"> <li>Single Panel Doors:</li> <li>Any jamb width: 20-1/8" to 98-17/32"</li> <li>Two Panel Doors:</li> <li>Any jamb width: 42" to 101"</li> <li>Three Panel Doors:</li> <li>Any jamb width: 63-3/8" to 145-11/16"</li> <li>Four Panel Doors:</li> <li>Any jamb width: 82-1/8" to 189-1/4"</li> <li>French Sliding Doors:</li> <li>Any jamb height: 60" to 108"</li> </ul>
<b>GLAZING</b>	<ul style="list-style-type: none"> <li>Low-E Insulating Glass</li> <li>Tempered Glass</li> </ul>	<ul style="list-style-type: none"> <li>Clear IG</li> <li>Low-E 240</li> <li>Zo-e-shield 5</li> <li>Zo-e-shield Extreme</li> <li>Zo-e Shield 6 (laminated)</li> <li>Grey or Bronze Tint</li> <li>Obscure</li> </ul>
<b>GRILLES</b>		<ul style="list-style-type: none"> <li>GBG: 5/8" Flat or 11/16" Sculptured</li> <li>SDL: 5/8", 7/8", 1-1/8", 2"</li> </ul>
<b>HARDWARE</b>	<ul style="list-style-type: none"> <li>3 point lock</li> <li>Arch top escutcheon plate</li> <li>No Key lock</li> <li>Standard rollers</li> </ul>	<ul style="list-style-type: none"> <li>Two point lock</li> <li>Square top escutcheon plate</li> <li>Keyed alike locks</li> <li>Keyed random locks</li> <li>Stainless Steel rollers</li> <li>Foot activated Security Bolt</li> </ul>
<b>HARDWARE COLOR</b>	<ul style="list-style-type: none"> <li>Bright Brass PVD</li> <li>Antique Brass</li> <li>Black</li> </ul>	<ul style="list-style-type: none"> <li>Brushed Nickel PVD</li> <li>Oil Rubbed Bronze</li> <li>Chrome</li> </ul>
<b>JAMB</b>	<ul style="list-style-type: none"> <li>4-9/16"</li> </ul>	<ul style="list-style-type: none"> <li>4-9/16 Min</li> <li>12" Max</li> </ul>
<b>SCREEN</b>	<ul style="list-style-type: none"> <li>Premium sliding screen</li> </ul>	<ul style="list-style-type: none"> <li>Standard sliding screen</li> </ul>
<b>SCREEN COLOR</b>	<ul style="list-style-type: none"> <li>Matches exterior color</li> </ul>	

# PREMIUM SERIES FRENCH SLIDING PATIO DOORS (8715)

## Elevations

Jamb Dimension	4'-11 9/16"	5'-11 9/16"	7'-11 9/16"	2'-9 3/16"	3'-3 3/16"	4'-3 3/16"
Rough Opening	5'-0 5/16"	6'-0 5/16"	8'-0 5/16"	2'-9 15/16"	3'-3 15/16"	4'-3 15/16"
Metric R.O. (mm)	1532	1837	2446	862	1014	1319
Glass Size	21 1/16"	27 1/16"	39 1/16"	21 1/16"	27 1/16"	39 1/16"

SLIDING PATIO DOORS	6'-7 1/2"						
	6'-8"	5068	6068	8068	21068	3468	4468
	6'-10"						
	6'-10 1/2"	50610	60610	80610	210610	34610	44610
	2032	64 13/16"					
7'-2"							
7'-2 1/2"	5072	6072	8072	21072	3472	4472	
2197	71 5/16"						
8'-0"							
8'-0 1/2"	5080	6080	8080	21080	3480	4480	
2451	81 5/16"						
8'-2"							
8'-2 1/2"	5082	6082	8082	21082	3482	4482	
2502	83 5/16"						

NOTE: Two panel units are also available in reverse operation (XO)



# PREMIUM SERIES FRENCH SLIDING PATIO DOORS (8715)

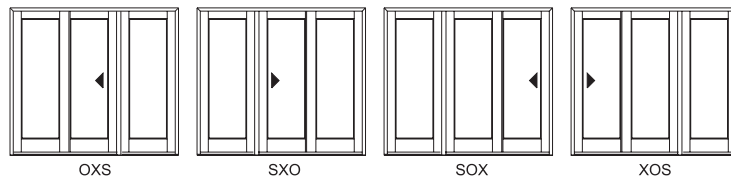
## Elevations

Jamb Dimension	7'-7 11/16"	9'-1 11/16"	12'-1 11/16"
Rough Opening	7'-8 7/16"	9'-2 7/16"	12'-2 7/16"
Metric R.O. (mm)	2348	2805	3720
Glass Size	21 1/16"	27 1/16"	39 1/16"

6'-7 1/2"			
6'-8"	7868	9268	12268
6'-10"			
6'-10 1/2"	78610	92610	122610
7'-2"			
7'-2 1/2"	7872	9272	12272
8'-0"			
8'-0 1/2"	7880	9280	12280
8'-2"			
8'-2 1/2"	7882	9282	12282

### Sliding Patio Door Operating Codes



# PREMIUM SERIES FRENCH SLIDING PATIO DOORS (8715)

## Elevations

Jamb Dimension	9'-9 1/4"	11'-9 1/4"	15'-9 1/4"
Rough Opening	9'-10"	11'-10"	15'-10"
Metric R.O. (mm)	2997	3607	4826
Class Size	21 1/16"	27 1/16"	42 7/8"

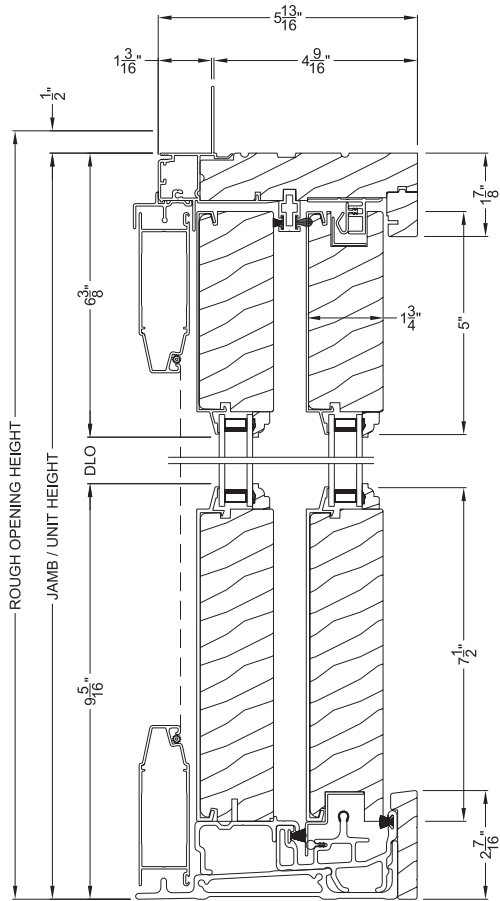
  

SLIDING PATIO DOORS	6'-7 1/2"			
	6'-8"	91068	111068	151068
	6'-10"			
	6'-10 1/2"	910610	1110610	1510610
	2032	64 13/16"		
7'-2"				
7'-2 1/2"	91072	111072	151072	
2197	71 5/16"			
8'-0"				
8'-0 1/2"	91080	111080	151080	
2451	81 5/16"			
8'-2"				
8'-2 1/2"	91082	111082	151082	
2502	83 5/16"			
83 5/16"				

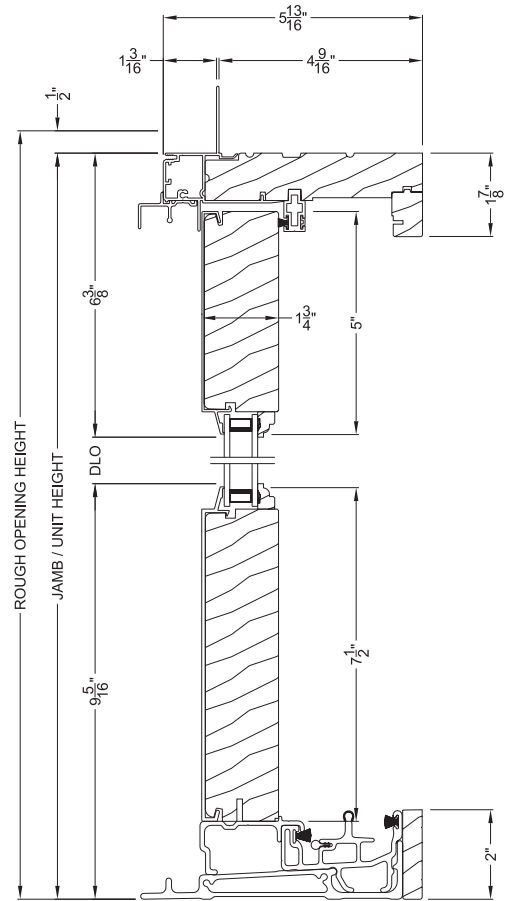
NOTE: Both center panels operate. Left panel is the primary.

# PREMIUM SERIES FRENCH PATIO DOORS (8715)

## Cross Sections

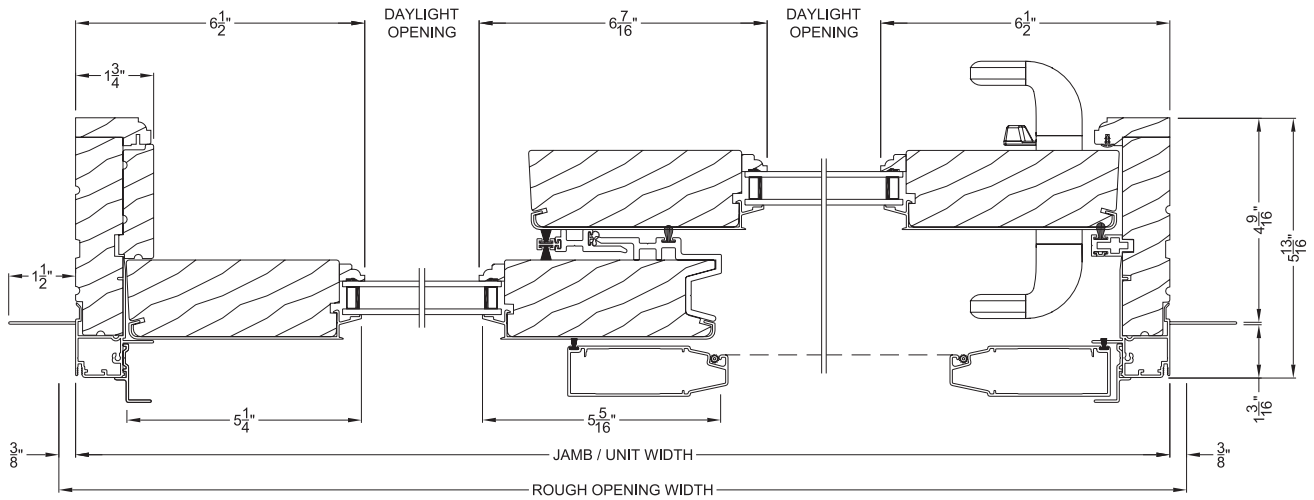


**PREMIUM FRENCH SLIDING PATIO DOOR (8715)**  
Vertical Section



**PREMIUM FRENCH SLIDING PATIO DOOR (8715)**  
Vertical Section - Fixed Sidelite with Optional Low profile sill stop

SLIDING PATIO DOORS



**PREMIUM FRENCH SLIDING PATIO DOOR (8715)**  
Horizontal Section

Note: All dimensions are approximate. Weather Shield reserves the right to change specifications without notice.



# PREMIUM SERIES FRENCH SLIDING PATIO DOORS (8715)

## Opening Specifications

	Unit Code	Sq. Ft. Clear Opening	Clear Opening		Sq. Ft. Daylight Opening	Sq. Ft. Vent	Sq. Ft. Overall Unit Area <sup>a</sup>
			Width	Height <sup>b</sup>			
2 Panel Doors	5-0 x 6-8	10.86	20.78	75.25	17.92	10.86	32.88
	6-0 x 6-8	13.99	26.78	75.25	23.26	13.99	39.51
	8-0 x 6-8	20.26	38.78	75.25	33.92	20.26	52.76
	5-0 x 6-10	11.13	20.62	77.75	18.62	11.13	33.74
	6-0 x 6-10	14.37	26.62	77.75	24.16	14.37	40.57
	8-0 x 6-10	20.94	38.78	77.75	35.24	20.94	54.42
	5-0 x 7-2	11.71	20.62	81.75	19.74	11.71	35.39
	6-0 x 7-2	15.11	26.62	81.75	25.62	15.11	42.55
	8-0 x 7-2	22.01	38.78	81.75	37.36	22.01	57.07
	5-0 x 8-0	13.14	20.62	91.75	22.56	13.14	39.50
	6-0 x 8-0	16.96	26.62	91.75	29.26	16.96	47.50
	8-0 x 8-0	24.71	38.78	91.75	42.66	24.71	63.71
	5-0 x 8-2	13.42	20.62	93.75	23.12	13.42	40.32
	6-0 x 8-2	17.33	26.62	93.75	29.98	17.33	48.49
8-0 x 8-2	25.24	38.78	93.75	43.72	25.24	65.04	
3 Panel Doors	7-9 x 6-8	10.85	20.77	75.25	26.88	10.85	50.62
	9-3 x 6-8	13.99	26.77	75.25	34.89	13.99	60.56
	12-3 x 6-8	20.26	38.77	75.25	50.88	20.26	80.43
	7-9 x 6-10	11.21	20.77	77.75	27.93	11.21	52.21
	9-3 x 6-10	14.45	26.77	77.75	36.24	14.45	62.46
	12-3 x 6-10	20.93	38.77	77.75	52.86	20.93	82.96
	7-9 x 7-2	11.79	20.77	81.75	29.61	11.79	54.76
	9-3 x 7-2	15.19	26.77	81.75	38.43	15.19	65.51
	12-3 x 7-2	22.01	38.77	81.75	56.04	22.01	87.01
	7-9 x 8-0	13.23	20.77	91.75	33.84	13.23	61.13
	9-3 x 8-0	17.05	26.77	91.75	43.89	17.05	73.13
	12-3 x 8-0	24.70	38.77	91.75	63.99	24.70	97.13
	7-9 x 8-2	13.52	20.77	93.75	34.68	13.52	62.40
	9-3 x 8-2	17.43	26.77	93.75	44.97	17.43	74.65
12-3 x 8-2	25.24	38.77	93.75	65.58	25.24	99.15	
4 Panel Doors <sup>c</sup>	9-10 x 6-8	22.09	42.28	75.25	35.84	22.09	64.73
	11-10 x 6-8	28.36	54.28	75.25	46.52	28.36	77.98
	15-10 x 6-8	40.91	78.28	75.25	67.84	40.91	104.48
	9-10 x 6-10	22.83	42.28	77.75	37.24	22.83	66.77
	11-10 x 6-10	29.31	54.28	77.75	48.32	29.31	80.43
	15-10 x 6-10	42.26	78.28	77.75	70.48	42.26	107.77
	9-10 x 7-2	24.00	42.28	81.75	39.48	24.00	70.02
	11-10 x 7-2	30.81	54.28	81.75	51.24	30.81	84.36
	15-10 x 7-2	44.44	78.28	81.75	74.72	44.44	113.02
	9-10 x 8-0	26.94	42.28	91.75	45.12	26.94	78.17
	11-10 x 8-0	34.58	54.28	91.75	58.52	34.58	94.17
	15-10 x 8-0	49.88	78.28	91.75	85.32	49.88	126.17
	9-10 x 8-2	27.52	42.28	93.75	46.24	27.52	79.80
	11-10 x 8-2	35.34	54.28	93.75	59.96	35.34	96.13
15-10 x 8-2	50.96	78.28	93.75	87.44	50.96	128.80	

<sup>a</sup> Sq. Ft. Overall Unit Area is calculated on the jamb dimension.

<sup>b</sup> Clear Opening Height dimensions calculated without screen.

<sup>c</sup> 4 Panel door width is calculated with both center panels open

# PREMIUM SERIES LIFT AND SLIDE DOORS

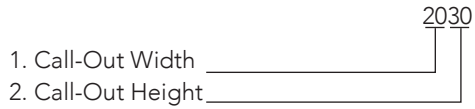
---

## Lift and Slide Door Table of Contents

Lift and Slide Door Footnotes.....	132	Lift and Slide Door Size Charts.....	135
Lift and Slide Door Quick Spec Guide .....	133	Lift and Slide Door Cross Sections.....	144
Lift and Slide Door Panel Configurations.....	134	Lift and Slide Door Opening Specifications .....	158

### Size Codes:

The Weather Shield size code uses meaningful characters to denote standard sizes. For example:



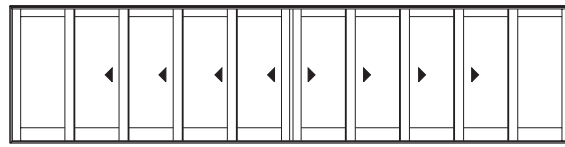
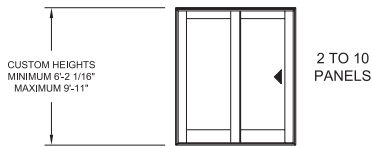
# PREMIUM SERIES LIFT AND SLIDE DOORS (8716)

## Quick Spec Guide

SPECIFICATION	STANDARD FEATURES	OPTIONAL FEATURES
<b>EXTERIOR FINISH</b>	<ul style="list-style-type: none"> <li>White</li> <li>Cameo</li> <li>Tan</li> <li>Desert Tan</li> <li>Heritage Brown</li> <li>Adobe</li> </ul>	<ul style="list-style-type: none"> <li>Craftsman Bronze</li> <li>Brick Red</li> <li>Hartford Green</li> <li>Gray Matters</li> <li>Obsidian</li> <li>Jet Black</li> </ul>
<b>PANEL THICKNESS</b>	<ul style="list-style-type: none"> <li>2-1/4"</li> </ul>	<ul style="list-style-type: none"> <li>4 Radiant Metallic</li> <li>45 Designer</li> <li>8 Anodized</li> <li>Custom Color</li> </ul>
<b>INTERIOR FINISH</b>	<ul style="list-style-type: none"> <li>Natural</li> </ul>	<ul style="list-style-type: none"> <li>Clear Satin</li> <li>Fruitwood</li> <li>Rich Mahogany</li> <li>Primed</li> <li>Golden Oak</li> <li>Chestnut</li> <li>Prefinished White &amp; Black</li> <li>Poly – 12 Standard / 45 Designer</li> </ul>
<b>INTERIOR SPECIES</b>	<ul style="list-style-type: none"> <li>Pine</li> </ul>	<ul style="list-style-type: none"> <li>Oak</li> <li>Maple</li> <li>Alder (Character)</li> <li>Cherry</li> <li>Mahogany</li> <li>Douglas Fir</li> </ul>
<b>SIZE</b>	<ul style="list-style-type: none"> <li>Width Call Out Panel Width 3-0, 4-0, 5-0</li> <li>Height Call Out Height 6-8, 6-10, 7-2, 8-0, 8-2, 9-0, 9-2</li> </ul>	<ul style="list-style-type: none"> <li>Two Panel Doors: Any jamb width: 55-3/16" to 117-3/16"</li> <li>Three Panel Doors: Any jamb width: 79-5/16" to 172-5/16"</li> <li>Four Panel Doors: Any jamb width: 103-1/2" to 227-1/2"</li> <li>Five Panel Doors: Any jamb width: 127-5/8" to 282-5/8"</li> <li>Six Panel Doors: Any jamb width: 157-3/8" to 343-3/8"</li> <li>Eight Panel Doors: Any jamb width: 205-11/16" to 453-11/16"</li> <li>Ten Panel Doors: Any jamb width: 254" to 564"</li> <li>Multi-Slide Doors (1-3/4" panel): Any jamb height: 79-1/8" to 109-9/16"</li> <li>Multi-Slide Doors (2-1/4" panel): Any jamb height: 74-1/16" to 119"</li> </ul>
<b>GLAZING</b>	<ul style="list-style-type: none"> <li>Low-E Insulating Glass</li> <li>Tempered Glass</li> </ul>	<ul style="list-style-type: none"> <li>Clear IG</li> <li>Low-E 240</li> <li>Zo-e-shield 5</li> <li>Zo-e-shield Extreme</li> <li>Zo-e Shield 6 (laminated)</li> <li>Grey or Bronze Tint</li> <li>Obscure</li> </ul>
<b>GRILLES</b>		<ul style="list-style-type: none"> <li>GBG: 5/8" Flat or 11/16" Sculptured</li> <li>SDL: 5/8", 7/8", 1-1/8", 2"</li> </ul>
<b>HARDWARE</b>	<ul style="list-style-type: none"> <li>3 point lock</li> <li>Atlanta Handle set</li> <li>Standard rollers</li> </ul>	<ul style="list-style-type: none"> <li>Athinai Handle set</li> </ul>
<b>HARDWARE COLOR</b>	<ul style="list-style-type: none"> <li>Polished/Brushed Brass</li> </ul>	<ul style="list-style-type: none"> <li>Polished Chrome/Brushed Stainless</li> </ul>
<b>SILL</b>	<ul style="list-style-type: none"> <li>Standard</li> </ul>	<ul style="list-style-type: none"> <li>1-1/2" Sill Riser</li> </ul>
<b>SCREEN</b>	<ul style="list-style-type: none"> <li>No screen</li> </ul>	<ul style="list-style-type: none"> <li>Retractable screen</li> <li>Retractable Shade</li> <li>Retractable Screen &amp; Shade</li> </ul>
<b>SCREEN COLOR</b>	<ul style="list-style-type: none"> <li>Bronze</li> </ul>	<ul style="list-style-type: none"> <li>White</li> <li>Clear Anodized</li> <li>Wood Wrapped</li> </ul>

# PREMIUM SERIES LIFT AND SLIDE DOORS

## Panel Configurations



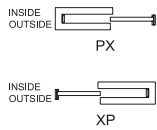
### CUSTOM WIDTHS

2	4'-7 3/16"	9'-9 3/16"
3	6'-7 5/16"	14'-4 5/16"
4	8'-7 1/2"	18'-11 1/2"
5	10'-7 5/8"	23'-6 5/8"
6	13'-1 3/8"	28'-7 3/8"
8	17'-1 11/16"	37'-9 11/16"
10	21'-2"	47'-0"

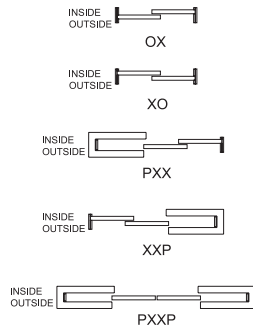
Sizes are for non-pocket doors

## PANEL CONFIGURATIONS

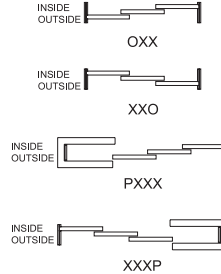
### 1 PANEL



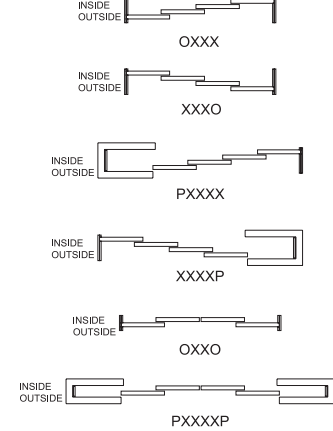
### 2 PANEL



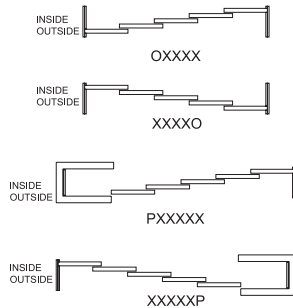
### 3 PANEL



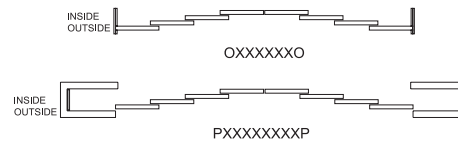
### 4 PANEL



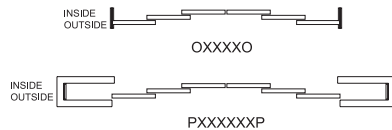
### 5 PANEL



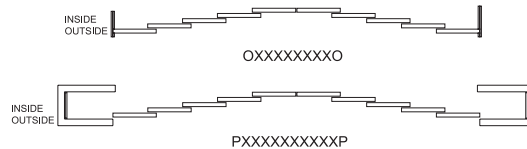
### 8 PANEL



### 6 PANEL



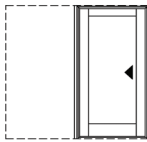
### 10 PANEL





# PREMIUM SERIES 1-PANEL LIFT AND SLIDE DOORS (8716)

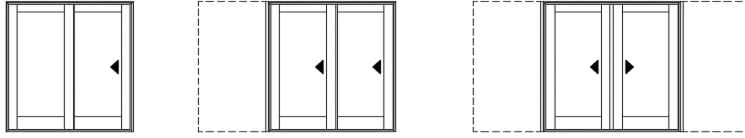
## Size Charts



Premium Series Lift & Slide doors (8716)																
Call-out size		Jamb Dimension			Exterior Exposed Jamb Width	Exterior Pocket Width	Rough Opening			Metric R.O. (mm)			Glass Size			
Width	x Height	Width	x	Height			Width	x	Height	Width	x	Height	Width	x	Height	
1 Panel Doors - 1 Pocket	3-0	x 6-8	75 15/16	x	78 1/2	37 15/16	37	76 15/16	x	79	1954	x	2007	26 7/32	x	64 13/16
	4-0	x 6-8	99 15/16	x	78 1/2	49 15/16	49	100 15/16	x	79	2564	x	2007	38 7/32	x	64 13/16
	5-0	x 6-8	123 15/16	x	78 1/2	61 15/16	61	124 15/16	x	79	3173	x	2007	50 7/32	x	64 13/16
	3-0	x 6-10	75 15/16	x	81	37 15/16	37	76 15/16	x	81 1/2	1954	x	2070	26 7/32	x	67 5/16
	4-0	x 6-10	99 15/16	x	81	49 15/16	49	100 15/16	x	81 1/2	2564	x	2070	38 7/32	x	67 5/16
	5-0	x 6-10	123 15/16	x	81	61 15/16	61	124 15/16	x	81 1/2	3173	x	2070	50 7/32	x	67 5/16
	3-0	x 7-2	75 15/16	x	85	37 15/16	37	76 15/16	x	85 1/2	1954	x	2172	26 7/32	x	71 5/16
	4-0	x 7-2	99 15/16	x	85	49 15/16	49	100 15/16	x	85 1/2	2564	x	2172	38 7/32	x	71 5/16
	5-0	x 7-2	123 15/16	x	85	61 15/16	61	124 15/16	x	85 1/2	3173	x	2172	50 7/32	x	71 5/16
	3-0	x 8-0	75 15/16	x	95	37 15/16	37	76 15/16	x	95 1/2	1954	x	2426	26 7/32	x	81 5/16
	4-0	x 8-0	99 15/16	x	95	49 15/16	49	100 15/16	x	95 1/2	2564	x	2426	38 7/32	x	81 5/16
	5-0	x 8-0	123 15/16	x	95	61 15/16	61	124 15/16	x	95 1/2	3173	x	2426	50 7/32	x	81 5/16
	3-0	x 8-2	75 15/16	x	97	37 15/16	37	76 15/16	x	97 1/2	1954	x	2477	26 7/32	x	83 5/16
	4-0	x 8-2	99 15/16	x	97	49 15/16	49	100 15/16	x	97 1/2	2564	x	2477	38 7/32	x	83 5/16
	5-0	x 8-2	123 15/16	x	97	61 15/16	61	124 15/16	x	97 1/2	3173	x	2477	50 7/32	x	83 5/16
	3-0	x 9-0	75 15/16	x	107	37 15/16	37	76 15/16	x	107 1/2	1954	x	2731	26 7/32	x	93 5/16
	4-0	x 9-0	99 15/16	x	107	49 15/16	49	100 15/16	x	107 1/2	2564	x	2731	38 7/32	x	93 5/16
	5-0	x 9-0	123 15/16	x	107	61 15/16	61	124 15/16	x	107 1/2	3173	x	2731	50 7/32	x	93 5/16
	3-0	x 9-2	75 15/16	x	109	37 15/16	37	76 15/16	x	109 1/2	1954	x	2781	26 7/32	x	95 5/16
	4-0	x 9-2	99 15/16	x	109	49 15/16	49	100 15/16	x	109 1/2	2564	x	2781	38 7/32	x	95 5/16
5-0	x 9-2	123 15/16	x	109	61 15/16	61	124 15/16	x	109 1/2	3173	x	2781	50 7/32	x	95 5/16	

# PREMIUM SERIES 2-PANEL LIFT AND SLIDE DOORS (8716)

## Size Charts



Premium Series Lift & Slide doors (8716)																						
Call-out size	Jamb Dimension			Exterior Exposed Jamb Width	Exterior Pocket Width	Rough Opening			Metric R.O. (mm)			Glass Size										
	Width x Height	Width	x Height			Width	x	Height	Width	x	Height	Width	x	Height								
2 Panel Doors - No Pocket	3-0 x 6-8	69	3/16	x	78	1/2			70	3/16	x	79	1783	x	2007	26	7/32	x	64	13/16		
	4-0 x 6-8	93	3/16	x	78	1/2			94	3/16	x	79	2392	x	2007	38	7/32	x	64	13/16		
	5-0 x 6-8	117	3/16	x	78	1/2			118	3/16	x	79	3002	x	2007	50	7/32	x	64	13/16		
	3-0 x 6-10	69	3/16	x	81				70	3/16	x	81	1/2	1783	x	2070	26	7/32	x	67	5/16	
	4-0 x 6-10	93	3/16	x	81				94	3/16	x	81	1/2	2392	x	2070	38	7/32	x	67	5/16	
	5-0 x 6-10	117	3/16	x	81				118	3/16	x	81	1/2	3002	x	2070	50	7/32	x	67	5/16	
	3-0 x 7-2	69	3/16	x	85				70	3/16	x	85	1/2	1783	x	2172	26	7/32	x	71	5/16	
	4-0 x 7-2	93	3/16	x	85				94	3/16	x	85	1/2	2392	x	2172	38	7/32	x	71	5/16	
	5-0 x 7-2	117	3/16	x	85				118	3/16	x	85	1/2	3002	x	2172	50	7/32	x	71	5/16	
	3-0 x 8-0	69	3/16	x	95				70	3/16	x	95	1/2	1783	x	2426	26	7/32	x	81	5/16	
	4-0 x 8-0	93	3/16	x	95				94	3/16	x	95	1/2	2392	x	2426	38	7/32	x	81	5/16	
	5-0 x 8-0	117	3/16	x	95				118	3/16	x	95	1/2	3002	x	2426	50	7/32	x	81	5/16	
	3-0 x 8-2	69	3/16	x	97				70	3/16	x	97	1/2	1783	x	2477	26	7/32	x	83	5/16	
	4-0 x 8-2	93	3/16	x	97				94	3/16	x	97	1/2	2392	x	2477	38	7/32	x	83	5/16	
	5-0 x 8-2	117	3/16	x	97				118	3/16	x	97	1/2	3002	x	2477	50	7/32	x	83	5/16	
	3-0 x 9-0	69	3/16	x	107				70	3/16	x	107	1/2	1783	x	2731	26	7/32	x	93	5/16	
	4-0 x 9-0	93	3/16	x	107				94	3/16	x	107	1/2	2392	x	2731	38	7/32	x	93	5/16	
	5-0 x 9-0	117	3/16	x	107				118	3/16	x	107	1/2	3002	x	2731	50	7/32	x	93	5/16	
	3-0 x 9-2	69	3/16	x	109				70	3/16	x	109	1/2	1783	x	2781	26	7/32	x	95	5/16	
	4-0 x 9-2	93	3/16	x	109				94	3/16	x	109	1/2	2392	x	2781	38	7/32	x	95	5/16	
5-0 x 9-2	117	3/16	x	109				118	3/16	x	109	1/2	3002	x	2781	50	7/32	x	95	5/16		
2 Panel Doors - 1 Pocket	3-0 x 6-8	107	3/32	x	78	1/2	69	3/32	37	108	3/32	x	79	2746	x	2007	26	7/32	x	64	13/16	
	4-0 x 6-8	143	3/32	x	78	1/2	93	3/32	49	144	3/32	x	79	3660	x	2007	38	7/32	x	64	13/16	
	5-0 x 6-8	179	3/32	x	78	1/2	117	3/32	61	180	3/32	x	79	4574	x	2007	50	7/32	x	64	13/16	
	3-0 x 6-10	107	3/32	x	81		69	3/32	37	108	3/32	x	81	1/2	2746	x	2070	26	7/32	x	67	5/16
	4-0 x 6-10	143	3/32	x	81		93	3/32	49	144	3/32	x	81	1/2	3660	x	2070	38	7/32	x	67	5/16
	5-0 x 6-10	179	3/32	x	81		117	3/32	61	180	3/32	x	81	1/2	4574	x	2070	50	7/32	x	67	5/16
	3-0 x 7-2	107	3/32	x	85		69	3/32	37	108	3/32	x	85	1/2	2746	x	2172	26	7/32	x	71	5/16
	4-0 x 7-2	143	3/32	x	85		93	3/32	49	144	3/32	x	85	1/2	3660	x	2172	38	7/32	x	71	5/16
	5-0 x 7-2	179	3/32	x	85		117	3/32	61	180	3/32	x	85	1/2	4574	x	2172	50	7/32	x	71	5/16
	3-0 x 8-0	107	3/32	x	95		69	3/32	37	108	3/32	x	95	1/2	2746	x	2426	26	7/32	x	81	5/16
	4-0 x 8-0	143	3/32	x	95		93	3/32	49	144	3/32	x	95	1/2	3660	x	2426	38	7/32	x	81	5/16
	5-0 x 8-0	179	3/32	x	95		117	3/32	61	180	3/32	x	95	1/2	4574	x	2426	50	7/32	x	81	5/16
	3-0 x 8-2	107	3/32	x	97		69	3/32	37	108	3/32	x	97	1/2	2746	x	2477	26	7/32	x	83	5/16
	4-0 x 8-2	143	3/32	x	97		93	3/32	49	144	3/32	x	97	1/2	3660	x	2477	38	7/32	x	83	5/16
	5-0 x 8-2	179	3/32	x	97		117	3/32	61	180	3/32	x	97	1/2	4574	x	2477	50	7/32	x	83	5/16
	3-0 x 9-0	107	3/32	x	107		69	3/32	37	108	3/32	x	107	1/2	2746	x	2731	26	7/32	x	93	5/16
	4-0 x 9-0	143	3/32	x	107		93	3/32	49	144	3/32	x	107	1/2	3660	x	2731	38	7/32	x	93	5/16
	5-0 x 9-0	179	3/32	x	107		117	3/32	61	180	3/32	x	107	1/2	4574	x	2731	50	7/32	x	93	5/16
	3-0 x 9-2	107	3/32	x	109		69	3/32	37	108	3/32	x	109	1/2	2746	x	2781	26	7/32	x	95	5/16
	4-0 x 9-2	143	3/32	x	109		93	3/32	49	144	3/32	x	109	1/2	3660	x	2781	38	7/32	x	95	5/16
5-0 x 9-2	179	3/32	x	109		117	3/32	61	180	3/32	x	109	1/2	4574	x	2781	50	7/32	x	95	5/16	
2 Panel Bi-Parting Doors - 2 Pockets	3-0 x 6-8	150	5/8	x	78	1/2	74	5/16	37	151	5/8	x	79	3851	x	2007	26	7/32	x	64	13/16	
	4-0 x 6-8	198	5/8	x	78	1/2	98	5/16	49	199	5/8	x	79	5070	x	2007	38	7/32	x	64	13/16	
	5-0 x 6-8	246	5/8	x	78	1/2	122	5/16	61	247	5/8	x	79	6290	x	2007	50	7/32	x	64	13/16	
	3-0 x 6-10	150	5/8	x	81		74	5/16	37	151	5/8	x	81	1/2	3851	x	2070	26	7/32	x	67	5/16
	4-0 x 6-10	198	5/8	x	81		98	5/16	49	199	5/8	x	81	1/2	5070	x	2070	38	7/32	x	67	5/16
	5-0 x 6-10	246	5/8	x	81		122	5/16	61	247	5/8	x	81	1/2	6290	x	2070	50	7/32	x	67	5/16
	3-0 x 7-2	150	5/8	x	85		74	5/16	37	151	5/8	x	85	1/2	3851	x	2172	26	7/32	x	71	5/16
	4-0 x 7-2	198	5/8	x	85		98	5/16	49	199	5/8	x	85	1/2	5070	x	2172	38	7/32	x	71	5/16
	5-0 x 7-2	246	5/8	x	85		122	5/16	61	247	5/8	x	85	1/2	6290	x	2172	50	7/32	x	71	5/16
	3-0 x 8-0	150	5/8	x	95		74	5/16	37	151	5/8	x	95	1/2	3851	x	2426	26	7/32	x	81	5/16
	4-0 x 8-0	198	5/8	x	95		98	5/16	49	199	5/8	x	95	1/2	5070	x	2426	38	7/32	x	81	5/16
	5-0 x 8-0	246	5/8	x	95		122	5/16	61	247	5/8	x	95	1/2	6290	x	2426	50	7/32	x	81	5/16
	3-0 x 8-2	150	5/8	x	97		74	5/16	37	151	5/8	x	97	1/2	3851	x	2477	26	7/32	x	83	5/16
	4-0 x 8-2	198	5/8	x	97		98	5/16	49	199	5/8	x	97	1/2	5070	x	2477	38	7/32	x	83	5/16
	5-0 x 8-2	246	5/8	x	97		122	5/16	61	247	5/8	x	97	1/2	6290	x	2477	50	7/32	x	83	5/16
	3-0 x 9-0	150	5/8	x	107		74	5/16	37	151	5/8	x	107	1/2	3851	x	2731	26	7/32	x	93	5/16
	4-0 x 9-0	198	5/8	x	107		98	5/16	49	199	5/8	x	107	1/2	5070	x	2731	38	7/32	x	93	5/16
	5-0 x 9-0	246	5/8	x	107		122	5/16	61	247	5/8	x	107	1/2	6290	x	2731	50	7/32	x	93	5/16
	3-0 x 9-2	150	5/8	x	109		74	5/16	37	151	5/8	x	109	1/2	3851	x	2781	26	7/32	x	95	5/16
	4-0 x 9-2	198	5/8	x	109		98	5/16	49	199	5/8	x	109	1/2	5070	x	2781	38	7/32	x	95	5/16
5-0 x 9-2	246	5/8	x	109		122	5/16	61	247	5/8	x	109	1/2	6290	x	2781	50	7/32	x	95	5/16	

# PREMIUM SERIES 3-PANEL LIFT AND SLIDE DOORS (8716)

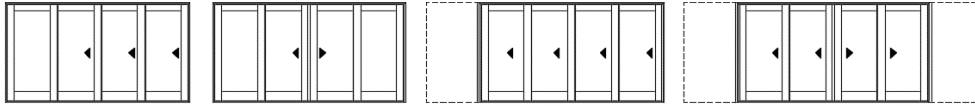
## Size Charts



Premium Series Lift & Slide doors (8716)																								
Call-out size		Jamb Dimension			Exterior Exposed Jamb Width	Exterior Pocket Width	Rough Opening			Metric R.O. (mm)			Glass Size											
Width	x Height	Width	x	Height			Width	x	Height	Width	x	Height	Width	x	Height									
3 Panel Doors - No Pocket	3-0	x	6-8	101	5/16	x	78	1/2			102	5/16	x	79	2599	x	2007	26	7/32	x	64	13/16		
	4-0	x	6-8	137	5/16	x	78	1/2			138	5/16	x	79	3513	x	2007	38	7/32	x	64	13/16		
	5-0	x	6-8	173	5/16	x	78	1/2			174	5/16	x	79	4428	x	2007	50	7/32	x	64	13/16		
	3-0	x	6-10	101	5/16	x	81				102	5/16	x	81	1/2	2599	x	2070	26	7/32	x	67	5/16	
	4-0	x	6-10	137	5/16	x	81				138	5/16	x	81	1/2	3513	x	2070	38	7/32	x	67	5/16	
	5-0	x	6-10	173	5/16	x	81				174	5/16	x	81	1/2	4428	x	2070	50	7/32	x	67	5/16	
	3-0	x	7-2	101	5/16	x	85				102	5/16	x	85	1/2	2599	x	2172	26	7/32	x	71	5/16	
	4-0	x	7-2	137	5/16	x	85				138	5/16	x	85	1/2	3513	x	2172	38	7/32	x	71	5/16	
	5-0	x	7-2	173	5/16	x	85				174	5/16	x	85	1/2	4428	x	2172	50	7/32	x	71	5/16	
	3-0	x	8-0	101	5/16	x	95				102	5/16	x	95	1/2	2599	x	2426	26	7/32	x	81	5/16	
	4-0	x	8-0	137	5/16	x	95				138	5/16	x	95	1/2	3513	x	2426	38	7/32	x	81	5/16	
	5-0	x	8-0	173	5/16	x	95				174	5/16	x	95	1/2	4428	x	2426	50	7/32	x	81	5/16	
	3-0	x	8-2	101	5/16	x	97				102	5/16	x	97	1/2	2599	x	2477	26	7/32	x	83	5/16	
	4-0	x	8-2	137	5/16	x	97				138	5/16	x	97	1/2	3513	x	2477	38	7/32	x	83	5/16	
	5-0	x	8-2	173	5/16	x	97				174	5/16	x	97	1/2	4428	x	2477	50	7/32	x	83	5/16	
	3-0	x	9-0	101	5/16	x	107				102	5/16	x	107	1/2	2599	x	2731	26	7/32	x	93	5/16	
	4-0	x	9-0	137	5/16	x	107				138	5/16	x	107	1/2	3513	x	2731	38	7/32	x	93	5/16	
	5-0	x	9-0	173	5/16	x	107				174	5/16	x	107	1/2	4428	x	2731	50	7/32	x	93	5/16	
	3-0	x	9-2	101	5/16	x	109				102	5/16	x	109	1/2	2599	x	2781	26	7/32	x	95	5/16	
	4-0	x	9-2	137	5/16	x	109				138	5/16	x	109	1/2	3513	x	2781	38	7/32	x	95	5/16	
5-0	x	9-2	173	5/16	x	109				174	5/16	x	109	1/2	4428	x	2781	50	7/32	x	95	5/16		
3 Panel Doors - 1 Pocket	3-0	x	6-8	138	1/4	x	78	1/2	100	1/4	37	139	1/4	x	79	3537	x	2007	26	7/32	x	64	13/16	
	4-0	x	6-8	186	1/4	x	78	1/2	136	1/4	49	187	1/4	x	79	4756	x	2007	38	7/32	x	64	13/16	
	5-0	x	6-8	234	1/4	x	78	1/2	172	1/4	61	235	1/4	x	79	5975	x	2007	50	7/32	x	64	13/16	
	3-0	x	6-10	138	1/4	x	81		100	1/4	37	139	1/4	x	81	1/2	3537	x	2070	26	7/32	x	67	5/16
	4-0	x	6-10	186	1/4	x	81		136	1/4	49	187	1/4	x	81	1/2	4756	x	2070	38	7/32	x	67	5/16
	5-0	x	6-10	234	1/4	x	81		172	1/4	61	235	1/4	x	81	1/2	5975	x	2070	50	7/32	x	67	5/16
	3-0	x	7-2	138	1/4	x	85		100	1/4	37	139	1/4	x	85	1/2	3537	x	2172	26	7/32	x	71	5/16
	4-0	x	7-2	186	1/4	x	85		136	1/4	49	187	1/4	x	85	1/2	4756	x	2172	38	7/32	x	71	5/16
	5-0	x	7-2	234	1/4	x	85		172	1/4	61	235	1/4	x	85	1/2	5975	x	2172	50	7/32	x	71	5/16
	3-0	x	8-0	138	1/4	x	95		100	1/4	37	139	1/4	x	95	1/2	3537	x	2426	26	7/32	x	81	5/16
	4-0	x	8-0	186	1/4	x	95		136	1/4	49	187	1/4	x	95	1/2	4756	x	2426	38	7/32	x	81	5/16
	5-0	x	8-0	234	1/4	x	95		172	1/4	61	235	1/4	x	95	1/2	5975	x	2426	50	7/32	x	81	5/16
	3-0	x	8-2	138	1/4	x	97		100	1/4	37	139	1/4	x	97	1/2	3537	x	2477	26	7/32	x	83	5/16
	4-0	x	8-2	186	1/4	x	97		136	1/4	49	187	1/4	x	97	1/2	4756	x	2477	38	7/32	x	83	5/16
	5-0	x	8-2	234	1/4	x	97		172	1/4	61	235	1/4	x	97	1/2	5975	x	2477	50	7/32	x	83	5/16
	3-0	x	9-0	138	1/4	x	107		100	1/4	37	139	1/4	x	107	1/2	3537	x	2731	26	7/32	x	93	5/16
	4-0	x	9-0	186	1/4	x	107		136	1/4	49	187	1/4	x	107	1/2	4756	x	2731	38	7/32	x	93	5/16
	5-0	x	9-0	234	1/4	x	107		172	1/4	61	235	1/4	x	107	1/2	5975	x	2731	50	7/32	x	93	5/16
	3-0	x	9-2	138	1/4	x	109		100	1/4	37	139	1/4	x	109	1/2	3537	x	2781	26	7/32	x	95	5/16
	4-0	x	9-2	186	1/4	x	109		136	1/4	49	187	1/4	x	109	1/2	4756	x	2781	38	7/32	x	95	5/16
5-0	x	9-2	234	1/4	x	109		172	1/4	61	235	1/4	x	109	1/2	5975	x	2781	50	7/32	x	95	5/16	

# PREMIUM SERIES 4-PANEL LIFT AND SLIDE DOORS (8716)

## Size Charts

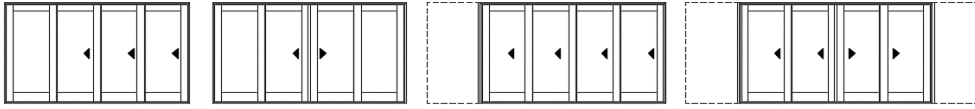


Premium Series Lift & Slide doors (8716)																							
Call-out size	Jamb Dimension			Exterior Exposed Jamb Width	Exterior Pocket Width	Rough Opening			Metric R.O. (mm)			Glass Size											
	Width	x	Height			Width	x	Height	Width	x	Height	Width	x	Height									
4 Panel Doors - No Pocket	3-0	x	6-8	131	1/2	x	78	1/2			132	1/2	x	79	3366	x	2007	26	7/32	x	64	13/16	
	4-0	x	6-8	179	1/2	x	78	1/2			180	1/2	x	79	4585	x	2007	38	7/32	x	64	13/16	
	5-0	x	6-8	227	1/2	x	78	1/2			228	1/2	x	79	5804	x	2007	50	7/32	x	64	13/16	
	3-0	x	6-10	131	1/2	x	81				132	1/2	x	81	1/2	3366	x	2070	26	7/32	x	67	5/16
	4-0	x	6-10	179	1/2	x	81				180	1/2	x	81	1/2	4585	x	2070	38	7/32	x	67	5/16
	5-0	x	6-10	227	1/2	x	81				228	1/2	x	81	1/2	5804	x	2070	50	7/32	x	67	5/16
	3-0	x	7-2	131	1/2	x	85				132	1/2	x	85	1/2	3366	x	2172	26	7/32	x	71	5/16
	4-0	x	7-2	179	1/2	x	85				180	1/2	x	85	1/2	4585	x	2172	38	7/32	x	71	5/16
	5-0	x	7-2	227	1/2	x	85				228	1/2	x	85	1/2	5804	x	2172	50	7/32	x	71	5/16
	3-0	x	8-0	131	1/2	x	95				132	1/2	x	95	1/2	3366	x	2426	26	7/32	x	81	5/16
	4-0	x	8-0	179	1/2	x	95				180	1/2	x	95	1/2	4585	x	2426	38	7/32	x	81	5/16
	5-0	x	8-0	227	1/2	x	95				228	1/2	x	95	1/2	5804	x	2426	50	7/32	x	81	5/16
	3-0	x	8-2	131	1/2	x	97				132	1/2	x	97	1/2	3366	x	2477	26	7/32	x	83	5/16
	4-0	x	8-2	179	1/2	x	97				180	1/2	x	97	1/2	4585	x	2477	38	7/32	x	83	5/16
	5-0	x	8-2	227	1/2	x	97				228	1/2	x	97	1/2	5804	x	2477	50	7/32	x	83	5/16
	3-0	x	9-0	131	1/2	x	107				132	1/2	x	107	1/2	3366	x	2731	26	7/32	x	93	5/16
	4-0	x	9-0	179	1/2	x	107				180	1/2	x	107	1/2	4585	x	2731	38	7/32	x	93	5/16
	5-0	x	9-0	227	1/2	x	107				228	1/2	x	107	1/2	5804	x	2731	50	7/32	x	93	5/16
	3-0	x	9-2	131	1/2	x	109				132	1/2	x	109	1/2	3366	x	2781	26	7/32	x	95	5/16
	4-0	x	9-2	179	1/2	x	109				180	1/2	x	109	1/2	4585	x	2781	38	7/32	x	95	5/16
5-0	x	9-2	227	1/2	x	109				228	1/2	x	109	1/2	5804	x	2781	50	7/32	x	95	5/16	
4 Bi-Parting Panel Doors - No Pocket	3-0	x	6-8	137	1/16	x	78	1/2			138	1/16	x	79	3507	x	2007	26	7/32	x	64	13/16	
	4-0	x	6-8	185	1/16	x	78	1/2			186	1/16	x	79	4726	x	2007	38	7/32	x	64	13/16	
	5-0	x	6-8	233	1/16	x	78	1/2			234	1/16	x	79	5945	x	2007	50	7/32	x	64	13/16	
	3-0	x	6-10	137	1/16	x	81				138	1/16	x	81	1/2	3507	x	2070	26	7/32	x	67	5/16
	4-0	x	6-10	185	1/16	x	81				186	1/16	x	81	1/2	4726	x	2070	38	7/32	x	67	5/16
	5-0	x	6-10	233	1/16	x	81				234	1/16	x	81	1/2	5945	x	2070	50	7/32	x	67	5/16
	3-0	x	7-2	137	1/16	x	85				138	1/16	x	85	1/2	3507	x	2172	26	7/32	x	71	5/16
	4-0	x	7-2	185	1/16	x	85				186	1/16	x	85	1/2	4726	x	2172	38	7/32	x	71	5/16
	5-0	x	7-2	233	1/16	x	85				234	1/16	x	85	1/2	5945	x	2172	50	7/32	x	71	5/16
	3-0	x	8-0	137	1/16	x	95				138	1/16	x	95	1/2	3507	x	2426	26	7/32	x	81	5/16
	4-0	x	8-0	185	1/16	x	95				186	1/16	x	95	1/2	4726	x	2426	38	7/32	x	81	5/16
	5-0	x	8-0	233	1/16	x	95				234	1/16	x	95	1/2	5945	x	2426	50	7/32	x	81	5/16
	3-0	x	8-2	137	1/16	x	97				138	1/16	x	97	1/2	3507	x	2477	26	7/32	x	83	5/16
	4-0	x	8-2	185	1/16	x	97				186	1/16	x	97	1/2	4726	x	2477	38	7/32	x	83	5/16
	5-0	x	8-2	233	1/16	x	97				234	1/16	x	97	1/2	5945	x	2477	50	7/32	x	83	5/16
	3-0	x	9-0	137	1/16	x	107				138	1/16	x	107	1/2	3507	x	2731	26	7/32	x	93	5/16
	4-0	x	9-0	185	1/16	x	107				186	1/16	x	107	1/2	4726	x	2731	38	7/32	x	93	5/16
	5-0	x	9-0	233	1/16	x	107				234	1/16	x	107	1/2	5945	x	2731	50	7/32	x	93	5/16
	3-0	x	9-2	137	1/16	x	109				138	1/16	x	109	1/2	3507	x	2781	26	7/32	x	95	5/16
	4-0	x	9-2	185	1/16	x	109				186	1/16	x	109	1/2	4726	x	2781	38	7/32	x	95	5/16
5-0	x	9-2	233	1/16	x	109				234	1/16	x	109	1/2	5945	x	2781	50	7/32	x	95	5/16	

LIFT AND SLIDE DOORS

# PREMIUM SERIES 4-PANEL LIFT AND SLIDE DOORS (8716)

## Size Charts



Premium Series Lift & Slide doors (8716)																		
Call-out size	Jamb Dimension			Exterior Exposed Jamb Width	Exterior Pocket Width	Rough Opening			Metric R.O. (mm)			Glass Size						
	Width	x	Height			Width	x	Height	Width	x	Height	Width	x	Height				
4 Panel Doors - 1 Pocket	3-0	x	6-8	169 13/32	x	78 1/2	131 13/32	37	170 13/32	x	79	4328	x	2007	26 7/32	x	64 13/16	
	4-0	x	6-8	229 13/32	x	78 1/2	179 13/32	49	230 13/32	x	79	5852	x	2007	38 7/32	x	64 13/16	
	3-0	x	6-10	169 13/32	x	81	131 13/32	37	170 13/32	x	81 1/2	4328	x	2070	26 7/32	x	67 5/16	
	4-0	x	6-10	229 13/32	x	81	179 13/32	49	230 13/32	x	81 1/2	5852	x	2070	38 7/32	x	67 5/16	
	3-0	x	7-2	169 13/32	x	85	131 13/32	37	170 13/32	x	85 1/2	4328	x	2172	26 7/32	x	71 5/16	
	4-0	x	7-2	229 13/32	x	85	179 13/32	49	230 13/32	x	85 1/2	5852	x	2172	38 7/32	x	71 5/16	
	3-0	x	8-0	169 13/32	x	95	131 13/32	37	170 13/32	x	95 1/2	4328	x	2426	26 7/32	x	81 5/16	
	4-0	x	8-0	229 13/32	x	95	179 13/32	49	230 13/32	x	95 1/2	5852	x	2426	38 7/32	x	81 5/16	
	3-0	x	8-2	169 13/32	x	97	131 13/32	37	170 13/32	x	97 1/2	4328	x	2477	26 7/32	x	83 5/16	
	4-0	x	8-2	229 13/32	x	97	179 13/32	49	230 13/32	x	97 1/2	5852	x	2477	38 7/32	x	83 5/16	
	3-0	x	9-0	169 13/32	x	107	131 13/32	37	170 13/32	x	107 1/2	4328	x	2731	26 7/32	x	93 5/16	
	4-0	x	9-0	229 13/32	x	107	179 13/32	49	230 13/32	x	107 1/2	5852	x	2731	38 7/32	x	93 5/16	
	3-0	x	9-2	169 13/32	x	109	131 13/32	37	170 13/32	x	109 1/2	4328	x	2781	26 7/32	x	95 5/16	
	4-0	x	9-2	229 13/32	x	109	179 13/32	49	230 13/32	x	109 1/2	5852	x	2781	38 7/32	x	95 5/16	
	4 Bi-Parting Panel Doors - 2 Pockets	3-0	x	6-8	212 15/16	x	78 1/2	136 15/16	37	213 15/16	x	79	5434	x	2007	26 7/32	x	64 13/16
		4-0	x	6-8	284 15/16	x	78 1/2	184 15/16	49	285 15/16	x	79	7263	x	2007	38 7/32	x	64 13/16
5-0		x	6-8	356 15/16	x	78 1/2	232 15/16	61	357 15/16	x	79	9092	x	2007	50 7/32	x	64 13/16	
3-0		x	6-10	212 15/16	x	81	136 15/16	37	213 15/16	x	81 1/2	5434	x	2070	26 7/32	x	67 5/16	
4-0		x	6-10	284 15/16	x	81	184 15/16	49	285 15/16	x	81 1/2	7263	x	2070	38 7/32	x	67 5/16	
5-0		x	6-10	356 15/16	x	81	232 15/16	61	357 15/16	x	81 1/2	9092	x	2070	50 7/32	x	67 5/16	
3-0		x	7-2	212 15/16	x	85	136 15/16	37	213 15/16	x	85 1/2	5434	x	2172	26 7/32	x	71 5/16	
4-0		x	7-2	284 15/16	x	85	184 15/16	49	285 15/16	x	85 1/2	7263	x	2172	38 7/32	x	71 5/16	
5-0		x	7-2	356 15/16	x	85	232 15/16	61	357 15/16	x	85 1/2	9092	x	2172	50 7/32	x	71 5/16	
3-0		x	8-0	212 15/16	x	95	136 15/16	37	213 15/16	x	95 1/2	5434	x	2426	26 7/32	x	81 5/16	
4-0		x	8-0	284 15/16	x	95	184 15/16	49	285 15/16	x	95 1/2	7263	x	2426	38 7/32	x	81 5/16	
5-0		x	8-0	356 15/16	x	95	232 15/16	61	357 15/16	x	95 1/2	9092	x	2426	50 7/32	x	81 5/16	
3-0		x	8-2	212 15/16	x	97	136 15/16	37	213 15/16	x	97 1/2	5434	x	2477	26 7/32	x	83 5/16	
4-0		x	8-2	284 15/16	x	97	184 15/16	49	285 15/16	x	97 1/2	7263	x	2477	38 7/32	x	83 5/16	
5-0		x	8-2	356 15/16	x	97	232 15/16	61	357 15/16	x	97 1/2	9092	x	2477	50 7/32	x	83 5/16	
3-0		x	9-0	212 15/16	x	107	136 15/16	37	213 15/16	x	107 1/2	5434	x	2731	26 7/32	x	93 5/16	
4-0	x	9-0	284 15/16	x	107	184 15/16	49	285 15/16	x	107 1/2	7263	x	2731	38 7/32	x	93 5/16		
5-0	x	9-0	356 15/16	x	107	232 15/16	61	357 15/16	x	107 1/2	9092	x	2731	50 7/32	x	93 5/16		
3-0	x	9-2	212 15/16	x	109	136 15/16	37	213 15/16	x	109 1/2	5434	x	2781	26 7/32	x	95 5/16		
4-0	x	9-2	284 15/16	x	109	184 15/16	49	285 15/16	x	109 1/2	7263	x	2781	38 7/32	x	95 5/16		
5-0	x	9-2	356 15/16	x	109	232 15/16	61	357 15/16	x	109 1/2	9092	x	2781	50 7/32	x	95 5/16		

# PREMIUM SERIES 5-PANEL LIFT AND SLIDE DOORS (8716)

## Size Charts



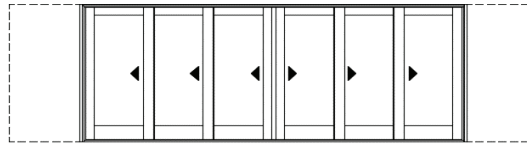
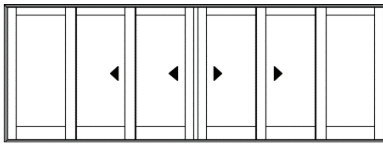
Premium Series Lift & Slide doors (8716)																								
Call-out size	Jamb Dimension			Exterior Exposed Jamb Width	Exterior Pocket Width	Rough Opening			Metric R.O. (mm)			Glass Size												
	Width	x	Height			Width	x	Height	Width	x	Height	Width	x	Height										
5 Panel Doors - No Pocket	3-0	x	6-8	162	5/8	x	78	1/2			163	5/8	x	79	4156	x	2007	26	7/32	x	64	13/16		
	4-0	x	6-8	222	5/8	x	78	1/2			223	5/8	x	79	5680	x	2007	38	7/32	x	64	13/16		
	5-0	x	6-8	282	5/8	x	78	1/2			283	5/8	x	79	7204	x	2007	50	7/32	x	64	13/16		
	3-0	x	6-10	162	5/8	x	81				163	5/8	x	81	1/2	4156	x	2070	26	7/32	x	67	5/16	
	4-0	x	6-10	222	5/8	x	81				223	5/8	x	81	1/2	5680	x	2070	38	7/32	x	67	5/16	
	5-0	x	6-10	282	5/8	x	81				283	5/8	x	81	1/2	7204	x	2070	50	7/32	x	67	5/16	
	3-0	x	7-2	162	5/8	x	85				163	5/8	x	85	1/2	4156	x	2172	26	7/32	x	71	5/16	
	4-0	x	7-2	222	5/8	x	85				223	5/8	x	85	1/2	5680	x	2172	38	7/32	x	71	5/16	
	5-0	x	7-2	282	5/8	x	85				283	5/8	x	85	1/2	7204	x	2172	50	7/32	x	71	5/16	
	3-0	x	8-0	162	5/8	x	95				163	5/8	x	95	1/2	4156	x	2426	26	7/32	x	81	5/16	
	4-0	x	8-0	222	5/8	x	95				223	5/8	x	95	1/2	5680	x	2426	38	7/32	x	81	5/16	
	5-0	x	8-0	282	5/8	x	95				283	5/8	x	95	1/2	7204	x	2426	50	7/32	x	81	5/16	
	3-0	x	8-2	162	5/8	x	97				163	5/8	x	97	1/2	4156	x	2477	26	7/32	x	83	5/16	
	4-0	x	8-2	222	5/8	x	97				223	5/8	x	97	1/2	5680	x	2477	38	7/32	x	83	5/16	
	5-0	x	8-2	282	5/8	x	97				283	5/8	x	97	1/2	7204	x	2477	50	7/32	x	83	5/16	
	3-0	x	9-0	162	5/8	x	107				163	5/8	x	107	1/2	4156	x	2731	26	7/32	x	93	5/16	
	4-0	x	9-0	222	5/8	x	107				223	5/8	x	107	1/2	5680	x	2731	38	7/32	x	93	5/16	
	5-0	x	9-0	282	5/8	x	107				283	5/8	x	107	1/2	7204	x	2731	50	7/32	x	93	5/16	
	3-0	x	9-2	162	5/8	x	109				163	5/8	x	109	1/2	4156	x	2781	26	7/32	x	95	5/16	
	4-0	x	9-2	222	5/8	x	109				223	5/8	x	109	1/2	5680	x	2781	38	7/32	x	95	5/16	
5-0	x	9-2	282	5/8	x	109				283	5/8	x	109	1/2	7204	x	2781	50	7/32	x	95	5/16		
5 Panel Doors - 1 Pocket	3-0	x	6-8	200	9/16	x	78	1/2	162	9/16	37	201	9/16	x	79	5120	x	2007	26	7/32	x	64	13/16	
	4-0	x	6-8	272	9/16	x	78	1/2	222	9/16	49	273	9/16	x	79	6948	x	2007	38	7/32	x	64	13/16	
	3-0	x	6-10	200	9/16	x	81		162	9/16	37	201	9/16	x	81	1/2	5120	x	2070	26	7/32	x	67	5/16
	4-0	x	6-10	272	9/16	x	81		222	9/16	49	273	9/16	x	81	1/2	6948	x	2070	38	7/32	x	67	5/16
	3-0	x	7-2	200	9/16	x	85		162	9/16	37	201	9/16	x	85	1/2	5120	x	2172	26	7/32	x	71	5/16
	4-0	x	7-2	272	9/16	x	85		222	9/16	49	273	9/16	x	85	1/2	6948	x	2172	38	7/32	x	71	5/16
	3-0	x	8-0	200	9/16	x	95		162	9/16	37	201	9/16	x	95	1/2	5120	x	2426	26	7/32	x	81	5/16
	4-0	x	8-0	272	9/16	x	95		222	9/16	49	273	9/16	x	95	1/2	6948	x	2426	38	7/32	x	81	5/16
	3-0	x	8-2	200	9/16	x	97		162	9/16	37	201	9/16	x	97	1/2	5120	x	2477	26	7/32	x	83	5/16
	4-0	x	8-2	272	9/16	x	97		222	9/16	49	273	9/16	x	97	1/2	6948	x	2477	38	7/32	x	83	5/16
	3-0	x	9-0	200	9/16	x	107		162	9/16	37	201	9/16	x	107	1/2	5120	x	2731	26	7/32	x	93	5/16
	4-0	x	9-0	272	9/16	x	107		222	9/16	49	273	9/16	x	107	1/2	6948	x	2731	38	7/32	x	93	5/16
3-0	x	9-2	200	9/16	x	109		162	9/16	37	201	9/16	x	109	1/2	5120	x	2781	26	7/32	x	95	5/16	
4-0	x	9-2	272	9/16	x	109		222	9/16	49	273	9/16	x	109	1/2	6948	x	2781	38	7/32	x	95	5/16	

LIFT AND SLIDE DOORS



# PREMIUM SERIES 6-PANEL LIFT AND SLIDE DOORS (8716)

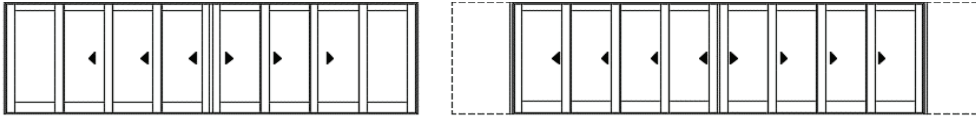
## Size Charts



Premium Series Lift & Slide doors (8716)																							
Call-out size	Jamb Dimension			Exterior Exposed Jamb Width	Exterior Pocket Width	Rough Opening			Metric R.O. (mm)			Glass Size											
	Width	x	Height			Width	x	Height	Width	x	Height	Width	x	Height									
6 Bi-Parting Panel Doors - No Pocket	3-0	x	6-8	199	3/8	x	78	1/2			200	3/8	x	79	5090	x	2007	26	7/32	x	64	13/16	
	4-0	x	6-8	271	3/8	x	78	1/2			272	3/8	x	79	6918	x	2007	38	7/32	x	64	13/16	
	5-0	x	6-8	343	3/8	x	78	1/2			344	3/8	x	79	8747	x	2007	50	7/32	x	64	13/16	
	3-0	x	6-10	199	3/8	x	81				200	3/8	x	81	5090	x	2070	26	7/32	x	67	5/16	
	4-0	x	6-10	271	3/8	x	81				272	3/8	x	81	6918	x	2070	38	7/32	x	67	5/16	
	5-0	x	6-10	343	3/8	x	81				344	3/8	x	81	8747	x	2070	50	7/32	x	67	5/16	
	3-0	x	7-2	199	3/8	x	85				200	3/8	x	85	5090	x	2172	26	7/32	x	71	5/16	
	4-0	x	7-2	271	3/8	x	85				272	3/8	x	85	6918	x	2172	38	7/32	x	71	5/16	
	5-0	x	7-2	343	3/8	x	85				344	3/8	x	85	8747	x	2172	50	7/32	x	71	5/16	
	3-0	x	8-0	199	3/8	x	95				200	3/8	x	95	5090	x	2426	26	7/32	x	81	5/16	
	4-0	x	8-0	271	3/8	x	95				272	3/8	x	95	6918	x	2426	38	7/32	x	81	5/16	
	5-0	x	8-0	343	3/8	x	95				344	3/8	x	95	8747	x	2426	50	7/32	x	81	5/16	
	3-0	x	8-2	199	3/8	x	97				200	3/8	x	97	5090	x	2477	26	7/32	x	83	5/16	
	4-0	x	8-2	271	3/8	x	97				272	3/8	x	97	6918	x	2477	38	7/32	x	83	5/16	
	5-0	x	8-2	343	3/8	x	97				344	3/8	x	97	8747	x	2477	50	7/32	x	83	5/16	
	3-0	x	9-0	199	3/8	x	107				200	3/8	x	107	5090	x	2731	26	7/32	x	93	5/16	
	4-0	x	9-0	271	3/8	x	107				272	3/8	x	107	6918	x	2731	38	7/32	x	93	5/16	
	5-0	x	9-0	343	3/8	x	107				344	3/8	x	107	8747	x	2731	50	7/32	x	93	5/16	
	3-0	x	9-2	199	3/8	x	109				200	3/8	x	109	5090	x	2781	26	7/32	x	95	5/16	
	4-0	x	9-2	271	3/8	x	109				272	3/8	x	109	6918	x	2781	38	7/32	x	95	5/16	
5-0	x	9-2	343	3/8	x	109				344	3/8	x	109	8747	x	2781	50	7/32	x	95	5/16		
6 Bi-Parting Panel Doors - 2 Pockets	3-0	x	6-8	275	1/4	x	78	1/2	199	1/4	37	276	1/4	x	79	7017	x	2007	26	7/32	x	64	13/16
	4-0	x	6-8	371	1/4	x	78	1/2	271	1/4	49	372	1/4	x	79	9455	x	2007	38	7/32	x	64	13/16
	5-0	x	6-8	467	1/4	x	78	1/2	343	1/4	61	468	1/4	x	79	11894	x	2007	50	7/32	x	64	13/16
	3-0	x	6-10	275	1/4	x	81		199	1/4	37	276	1/4	x	81	7017	x	2070	26	7/32	x	67	5/16
	4-0	x	6-10	371	1/4	x	81		271	1/4	49	372	1/4	x	81	9455	x	2070	38	7/32	x	67	5/16
	5-0	x	6-10	467	1/4	x	81		343	1/4	61	468	1/4	x	81	11894	x	2070	50	7/32	x	67	5/16
	3-0	x	7-2	275	1/4	x	85		199	1/4	37	276	1/4	x	85	7017	x	2172	26	7/32	x	71	5/16
	4-0	x	7-2	371	1/4	x	85		271	1/4	49	372	1/4	x	85	9455	x	2172	38	7/32	x	71	5/16
	5-0	x	7-2	467	1/4	x	85		343	1/4	61	468	1/4	x	85	11894	x	2172	50	7/32	x	71	5/16
	3-0	x	8-0	275	1/4	x	95		199	1/4	37	276	1/4	x	95	7017	x	2426	26	7/32	x	81	5/16
	4-0	x	8-0	371	1/4	x	95		271	1/4	49	372	1/4	x	95	9455	x	2426	38	7/32	x	81	5/16
	5-0	x	8-0	467	1/4	x	95		343	1/4	61	468	1/4	x	95	11894	x	2426	50	7/32	x	81	5/16
	3-0	x	8-2	275	1/4	x	97		199	1/4	37	276	1/4	x	97	7017	x	2477	26	7/32	x	83	5/16
	4-0	x	8-2	371	1/4	x	97		271	1/4	49	372	1/4	x	97	9455	x	2477	38	7/32	x	83	5/16
	5-0	x	8-2	467	1/4	x	97		343	1/4	61	468	1/4	x	97	11894	x	2477	50	7/32	x	83	5/16
	3-0	x	9-0	275	1/4	x	107		199	1/4	37	276	1/4	x	107	7017	x	2731	26	7/32	x	93	5/16
	4-0	x	9-0	371	1/4	x	107		271	1/4	49	372	1/4	x	107	9455	x	2731	38	7/32	x	93	5/16
	5-0	x	9-0	467	1/4	x	107		343	1/4	61	468	1/4	x	107	11894	x	2731	50	7/32	x	93	5/16
	3-0	x	9-2	275	1/4	x	109		199	1/4	37	276	1/4	x	109	7017	x	2781	26	7/32	x	95	5/16
	4-0	x	9-2	371	1/4	x	109		271	1/4	49	372	1/4	x	109	9455	x	2781	38	7/32	x	95	5/16
5-0	x	9-2	467	1/4	x	109		343	1/4	61	468	1/4	x	109	11894	x	2781	50	7/32	x	95	5/16	

# PREMIUM SERIES 8-PANEL LIFT AND SLIDE DOORS (8716)

## Size Charts

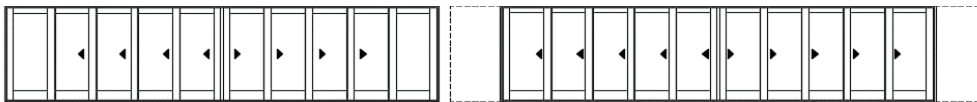


Premium Series Lift & Slide doors (8716)																							
Call-out size		Jamb Dimension			Exterior Exposed Jamb Width	Exterior Pocket Width	Rough Opening			Metric R.O. (mm)			Glass Size										
Width	x Height	Width	x	Height			Width	x	Height	Width	x	Height	Width	x	Height								
8 Bi-Parting Panel Doors - No Pocket	3-0	x 6-8	261	11/16	x	78	1/2			262	11/16	x	79	6672	x	2007	26	7/32	x	64	13/16		
	4-0	x 6-8	357	11/16	x	78	1/2			358	11/16	x	79	9111	x	2007	38	7/32	x	64	13/16		
	5-0	x 6-8	453	11/16	x	78	1/2			454	11/16	x	79	11549	x	2007	50	7/32	x	64	13/16		
	3-0	x 6-10	261	11/16	x	81				262	11/16	x	81	1/2	6672	x	2070	26	7/32	x	67	5/16	
	4-0	x 6-10	357	11/16	x	81				358	11/16	x	81	1/2	9111	x	2070	38	7/32	x	67	5/16	
	5-0	x 6-10	453	11/16	x	81				454	11/16	x	81	1/2	11549	x	2070	50	7/32	x	67	5/16	
	3-0	x 7-2	261	11/16	x	85				262	11/16	x	85	1/2	6672	x	2172	26	7/32	x	71	5/16	
	4-0	x 7-2	357	11/16	x	85				358	11/16	x	85	1/2	9111	x	2172	38	7/32	x	71	5/16	
	5-0	x 7-2	453	11/16	x	85				454	11/16	x	85	1/2	11549	x	2172	50	7/32	x	71	5/16	
	3-0	x 8-0	261	11/16	x	95				262	11/16	x	95	1/2	6672	x	2426	26	7/32	x	81	5/16	
	4-0	x 8-0	357	11/16	x	95				358	11/16	x	95	1/2	9111	x	2426	38	7/32	x	81	5/16	
	5-0	x 8-0	453	11/16	x	95				454	11/16	x	95	1/2	11549	x	2426	50	7/32	x	81	5/16	
	3-0	x 8-2	261	11/16	x	97				262	11/16	x	97	1/2	6672	x	2477	26	7/32	x	83	5/16	
	4-0	x 8-2	357	11/16	x	97				358	11/16	x	97	1/2	9111	x	2477	38	7/32	x	83	5/16	
	5-0	x 8-2	453	11/16	x	97				454	11/16	x	97	1/2	11549	x	2477	50	7/32	x	83	5/16	
	3-0	x 9-0	261	11/16	x	107				262	11/16	x	107	1/2	6672	x	2731	26	7/32	x	93	5/16	
	4-0	x 9-0	357	11/16	x	107				358	11/16	x	107	1/2	9111	x	2731	38	7/32	x	93	5/16	
	5-0	x 9-0	453	11/16	x	107				454	11/16	x	107	1/2	11549	x	2731	50	7/32	x	93	5/16	
3-0	x 9-2	261	11/16	x	109				262	11/16	x	109	1/2	6672	x	2781	26	7/32	x	95	5/16		
4-0	x 9-2	357	11/16	x	109				358	11/16	x	109	1/2	9111	x	2781	38	7/32	x	95	5/16		
5-0	x 9-2	453	11/16	x	109				454	11/16	x	109	1/2	11549	x	2781	50	7/32	x	95	5/16		
8 Bi-Parting Panel Doors - 2 Pockets	3-0	x 6-8	337	9/16	x	78	1/2	261	9/16	37	338	9/16	x	79	8599	x	2007	26	7/32	x	64	13/16	
	4-0	x 6-8	457	9/16	x	78	1/2	357	9/16	49	458	9/16	x	79	11647	x	2007	38	7/32	x	64	13/16	
	3-0	x 6-10	337	9/16	x	81		261	9/16	37	338	9/16	x	81	1/2	8599	x	2070	26	7/32	x	67	5/16
	4-0	x 6-10	457	9/16	x	81		357	9/16	49	458	9/16	x	81	1/2	11647	x	2070	38	7/32	x	67	5/16
	3-0	x 7-2	337	9/16	x	85		261	9/16	37	338	9/16	x	85	1/2	8599	x	2172	26	7/32	x	71	5/16
	4-0	x 7-2	457	9/16	x	85		357	9/16	49	458	9/16	x	85	1/2	11647	x	2172	38	7/32	x	71	5/16
	3-0	x 8-0	337	9/16	x	95		261	9/16	37	338	9/16	x	95	1/2	8599	x	2426	26	7/32	x	81	5/16
	4-0	x 8-0	457	9/16	x	95		357	9/16	49	458	9/16	x	95	1/2	11647	x	2426	38	7/32	x	81	5/16
	3-0	x 8-2	337	9/16	x	97		261	9/16	37	338	9/16	x	97	1/2	8599	x	2477	26	7/32	x	83	5/16
	4-0	x 8-2	457	9/16	x	97		357	9/16	49	458	9/16	x	97	1/2	11647	x	2477	38	7/32	x	83	5/16
	3-0	x 9-0	337	9/16	x	107		261	9/16	37	338	9/16	x	107	1/2	8599	x	2731	26	7/32	x	93	5/16
	4-0	x 9-0	457	9/16	x	107		357	9/16	49	458	9/16	x	107	1/2	11647	x	2731	38	7/32	x	93	5/16
3-0	x 9-2	337	9/16	x	109		261	9/16	37	338	9/16	x	109	1/2	8599	x	2781	26	7/32	x	95	5/16	
4-0	x 9-2	457	9/16	x	109		357	9/16	49	458	9/16	x	109	1/2	11647	x	2781	38	7/32	x	95	5/16	



# PREMIUM SERIES 10-PANEL LIFT AND SLIDE DOORS (8716)

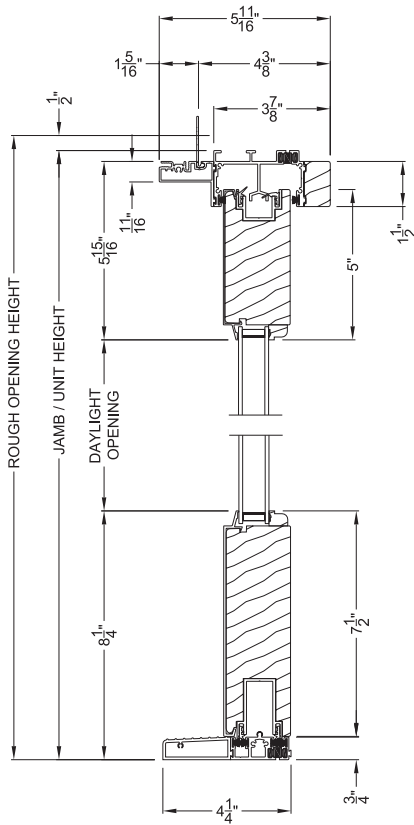
## Size Charts



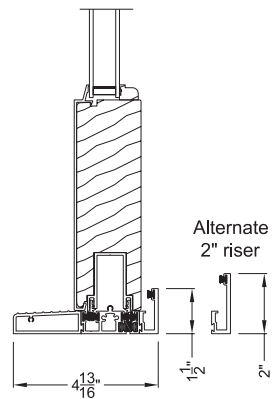
Premium Series Lift & Slide doors (8716)																	
	Call-out size		Jamb Dimension			Exterior Exposed Jamb Width	Exterior Pocket Width	Rough Opening			Metric R.O. (mm)			Glass Size			
	Width	x Height	Width	x	Height			Width	x	Height	Width	x	Height	Width	x	Height	
10 Bi-Parting Panel Doors - No Pocket	3-0	x 6-8	324	x	78 1/2			325	x	79	8255	x	2007	26	7/32	x	64 13/16
	4-0	x 6-8	444	x	78 1/2			445	x	79	11303	x	2007	38	7/32	x	64 13/16
	5-0	x 6-8	564	x	78 1/2			565	x	79	14351	x	2007	50	7/32	x	64 13/16
	3-0	x 6-10	324	x	81			325	x	81 1/2	8255	x	2070	26	7/32	x	67 5/16
	4-0	x 6-10	444	x	81			445	x	81 1/2	11303	x	2070	38	7/32	x	67 5/16
	5-0	x 6-10	564	x	81			565	x	81 1/2	14351	x	2070	50	7/32	x	67 5/16
	3-0	x 7-2	324	x	85			325	x	85 1/2	8255	x	2172	26	7/32	x	71 5/16
	4-0	x 7-2	444	x	85			445	x	85 1/2	11303	x	2172	38	7/32	x	71 5/16
	5-0	x 7-2	564	x	85			565	x	85 1/2	14351	x	2172	50	7/32	x	71 5/16
	3-0	x 8-0	324	x	95			325	x	95 1/2	8255	x	2426	26	7/32	x	81 5/16
	4-0	x 8-0	444	x	95			445	x	95 1/2	11303	x	2426	38	7/32	x	81 5/16
	5-0	x 8-0	564	x	95			565	x	95 1/2	14351	x	2426	50	7/32	x	81 5/16
	3-0	x 8-2	324	x	97			325	x	97 1/2	8255	x	2477	26	7/32	x	83 5/16
	4-0	x 8-2	444	x	97			445	x	97 1/2	11303	x	2477	38	7/32	x	83 5/16
	5-0	x 8-2	564	x	97			565	x	97 1/2	14351	x	2477	50	7/32	x	83 5/16
	3-0	x 9-0	324	x	107			325	x	107 1/2	8255	x	2731	26	7/32	x	93 5/16
	4-0	x 9-0	444	x	107			445	x	107 1/2	11303	x	2731	38	7/32	x	93 5/16
	5-0	x 9-0	564	x	107			565	x	107 1/2	14351	x	2731	50	7/32	x	93 5/16
	3-0	x 9-2	324	x	109			325	x	109 1/2	8255	x	2781	26	7/32	x	95 5/16
	4-0	x 9-2	444	x	109			445	x	109 1/2	11303	x	2781	38	7/32	x	95 5/16
5-0	x 9-2	564	x	109			565	x	109 1/2	14351	x	2781	50	7/32	x	95 5/16	
10 Bi-Parting Panel Doors - 2 Pockets	3-0	x 6-8	399 7/8	x	78 1/2	323 7/8	37	400 7/8	x	79	10182	x	2007	26	7/32	x	64 13/16
	4-0	x 6-8	543 7/8	x	78 1/2	443 7/8	49	544 7/8	x	79	13840	x	2007	38	7/32	x	64 13/16
	3-0	x 6-10	399 7/8	x	81	323 7/8	37	400 7/8	x	81 1/2	10182	x	2070	26	7/32	x	67 5/16
	4-0	x 6-10	543 7/8	x	81	443 7/8	49	544 7/8	x	81 1/2	13840	x	2070	38	7/32	x	67 5/16
	3-0	x 7-2	399 7/8	x	85	323 7/8	37	400 7/8	x	85 1/2	10182	x	2172	26	7/32	x	71 5/16
	4-0	x 7-2	543 7/8	x	85	443 7/8	49	544 7/8	x	85 1/2	13840	x	2172	38	7/32	x	71 5/16
	3-0	x 8-0	399 7/8	x	95	323 7/8	37	400 7/8	x	95 1/2	10182	x	2426	26	7/32	x	81 5/16
	4-0	x 8-0	543 7/8	x	95	443 7/8	49	544 7/8	x	95 1/2	13840	x	2426	38	7/32	x	81 5/16
	3-0	x 8-2	399 7/8	x	97	323 7/8	37	400 7/8	x	97 1/2	10182	x	2477	26	7/32	x	83 5/16
	4-0	x 8-2	543 7/8	x	97	443 7/8	49	544 7/8	x	97 1/2	13840	x	2477	38	7/32	x	83 5/16
	3-0	x 9-0	399 7/8	x	107	323 7/8	37	400 7/8	x	107 1/2	10182	x	2731	26	7/32	x	93 5/16
	4-0	x 9-0	543 7/8	x	107	443 7/8	49	544 7/8	x	107 1/2	13840	x	2731	38	7/32	x	93 5/16
	3-0	x 9-2	399 7/8	x	109	323 7/8	37	400 7/8	x	109 1/2	10182	x	2781	26	7/32	x	95 5/16
	4-0	x 9-2	543 7/8	x	109	443 7/8	49	544 7/8	x	109 1/2	13840	x	2781	38	7/32	x	95 5/16

# PREMIUM SERIES 1-PANEL OR 2-PANEL LIFT AND SLIDE DOORS (8716)

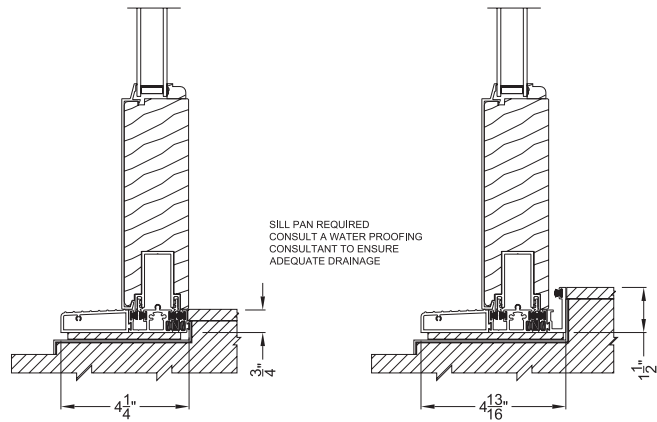
## Cross Sections



**PREMIUM LIFT & SLIDE PATIO DOOR (8716)**  
Vertical Section - Flush Sill - 1 or Bi-parting 2 Panel Door



**PREMIUM LIFT & SLIDE PATIO DOOR (8716)**  
Vertical Section - with Sill Riser - 1 or Bi-parting 2 Panel Door

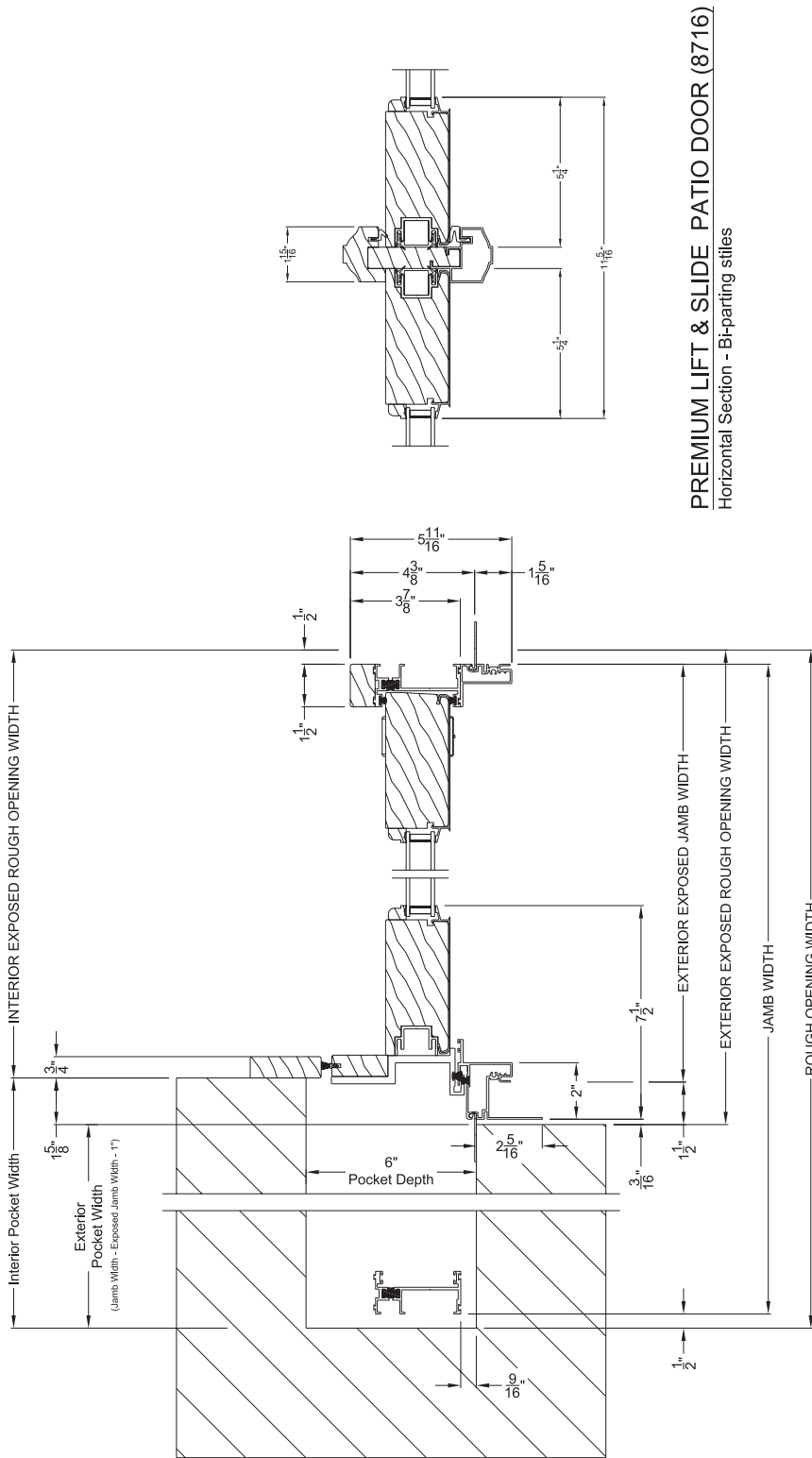


**PREMIUM LIFT & SLIDE PATIO DOOR (8716)**  
Vertical Section - With sill pan

Note: All dimensions are approximate. Weather Shield reserves the right to change specifications without notice.

# PREMIUM SERIES 1-PANEL OR 2-PANEL LIFT AND SLIDE DOORS (8716)

## Cross Sections



**PREMIUM LIFT & SLIDE PATIO DOOR (8716)**  
Horizontal Section - Bi-parting stiles

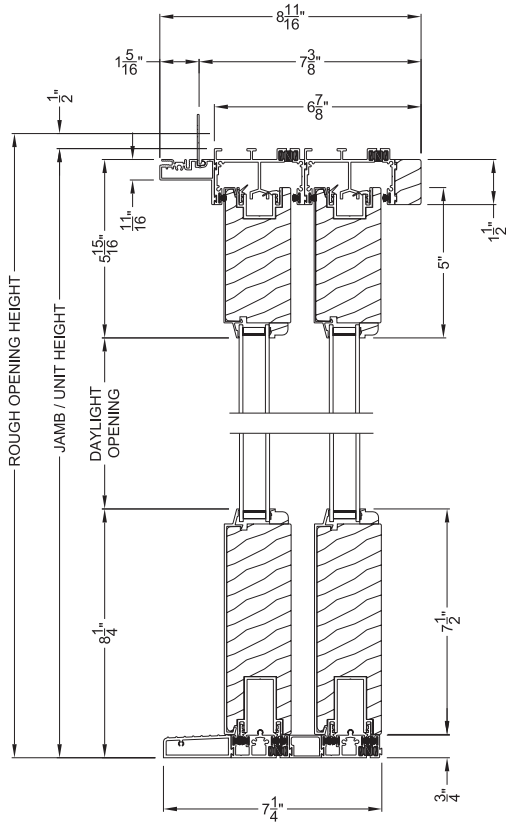
**PREMIUM LIFT & SLIDE PATIO DOOR (8716)**  
Horizontal Pocket Section - 1 or Bi-parting 2 Panel Door

LIFT AND SLIDE DOORS

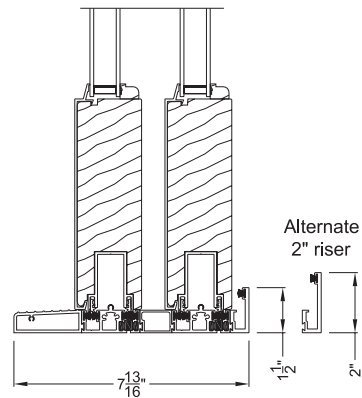
Note: All dimensions are approximate. Weather Shield reserves the right to change specifications without notice.

# PREMIUM SERIES 2-PANEL OR BI-PARTING 4-PANEL LIFT AND SLIDE DOORS (8716)

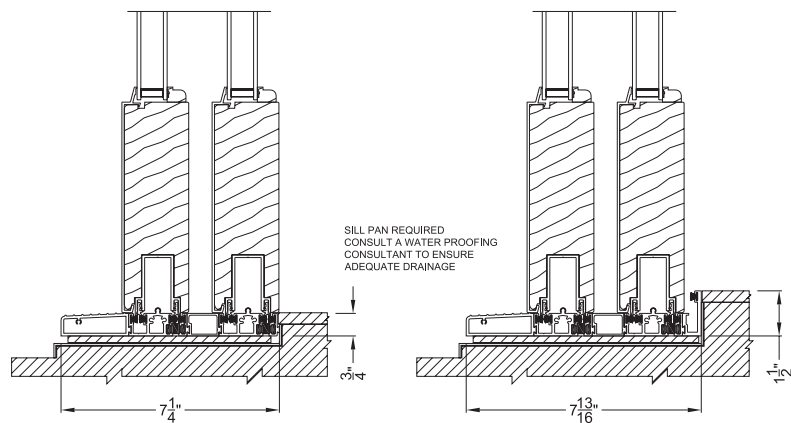
## Cross Sections



**PREMIUM LIFT & SLIDE PATIO DOOR (8716)**  
Vertical Section - Flush Sill - 2 or Bi-parting 4 Panel Door



**PREMIUM LIFT & SLIDE PATIO DOOR (8716)**  
Vertical Section - with Sill Riser - 2 or Bi-parting 4 Panel Door

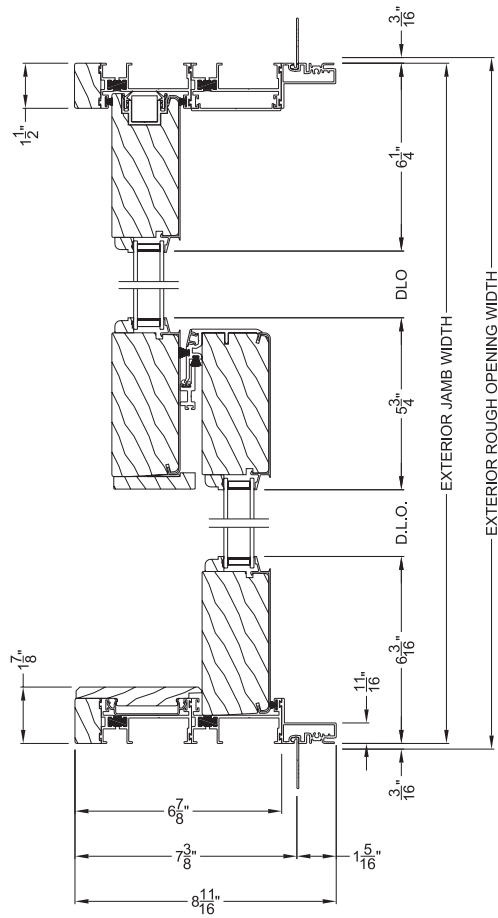


**PREMIUM LIFT & SLIDE PATIO DOOR (8716)**  
Vertical Section - With sill pan

Note: All dimensions are approximate. Weather Shield reserves the right to change specifications without notice.

# PREMIUM SERIES 2-PANEL LIFT AND SLIDE DOORS (8716)

## Cross Sections



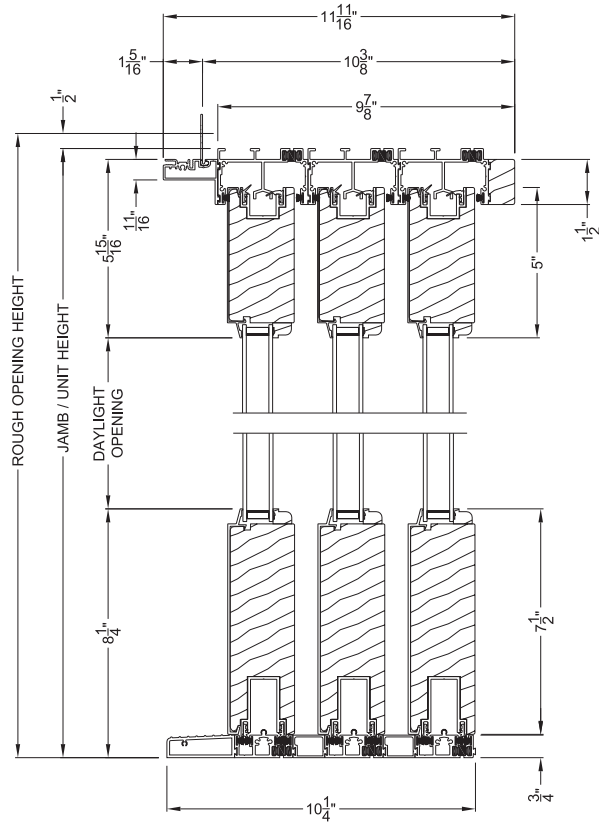
**PREMIUM LIFT & SLIDE PATIO DOOR (8716)**  
Horizontal Section - 2 Panel Door

Note: All dimensions are approximate. Weather Shield reserves the right to change specifications without notice.

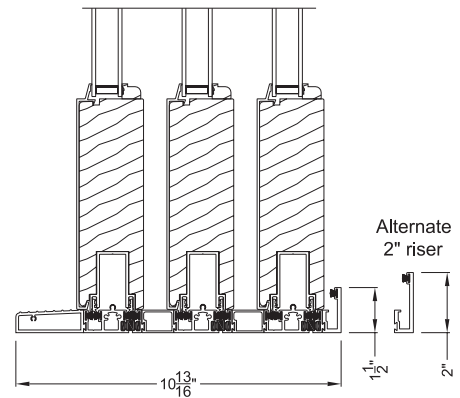


# PREMIUM SERIES 3-PANEL OR BI-PARTING 6-PANEL LIFT AND SLIDE DOORS (8716)

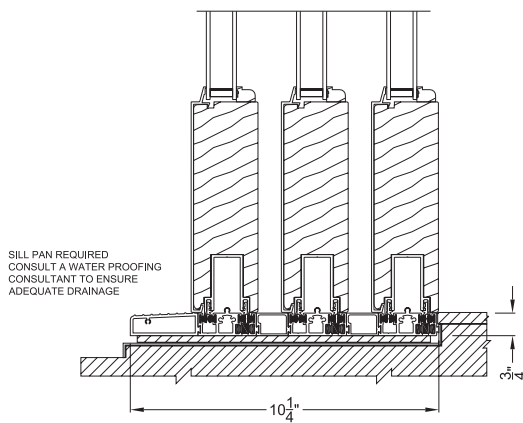
## Cross Sections



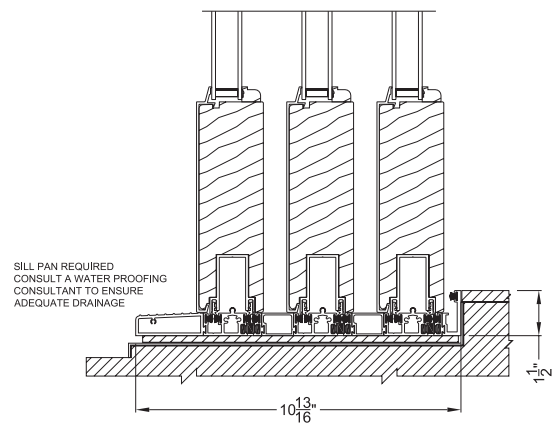
**PREMIUM LIFT & SLIDE PATIO DOOR (8716)**  
Vertical Section - Flush Sill - 3 or Bi-parting 6 Panel Door



**PREMIUM LIFT & SLIDE PATIO DOOR (8716)**  
Vertical Section - with Sill Riser - 3 or Bi-parting 6 Panel Door



**PREMIUM LIFT & SLIDE PATIO DOOR (8716)**  
Vertical Section - With sill pan

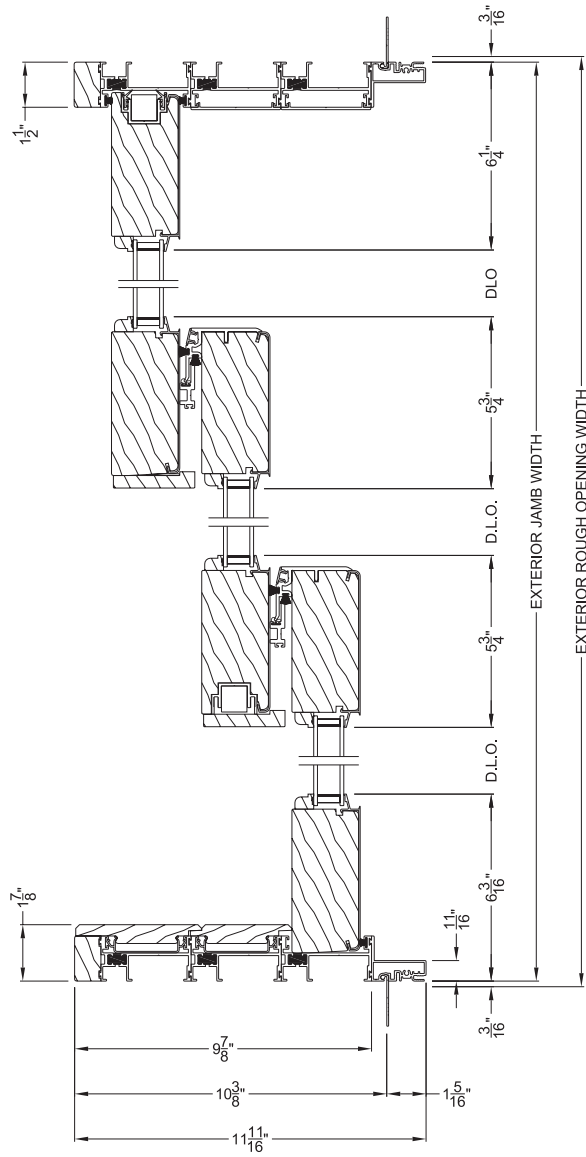


**PREMIUM LIFT & SLIDE PATIO DOOR (8716)**  
Vertical Section - With sill pan

Note: All dimensions are approximate. Weather Shield reserves the right to change specifications without notice.

# PREMIUM SERIES 3-PANEL LIFT AND SLIDE DOORS (8716)

## Cross Sections



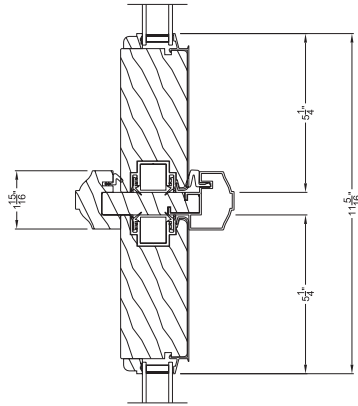
**PREMIUM LIFT & SLIDE PATIO DOOR (8716)**  
Horizontal Section - 3 Panel Door

Note: All dimensions are approximate. Weather Shield reserves the right to change specifications without notice.

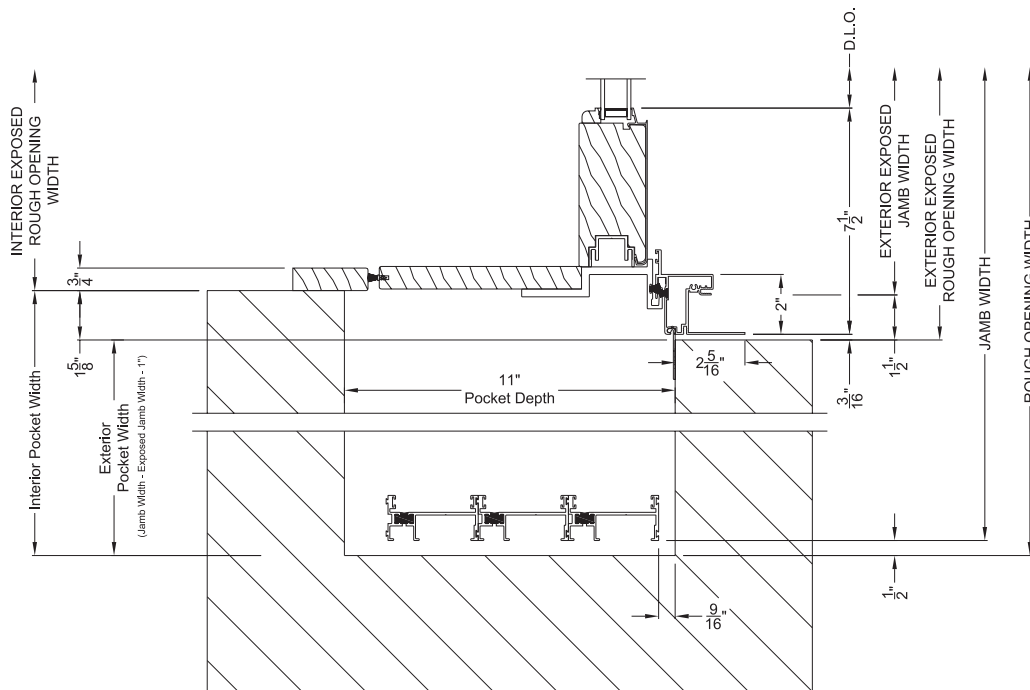


# PREMIUM SERIES 3-PANEL OR BI-PARTING 6-PANEL LIFT AND SLIDE DOORS (8716)

## Cross Sections



**PREMIUM LIFT & SLIDE PATIO DOOR (8716)**  
Horizontal Section - Bi-parting sashes

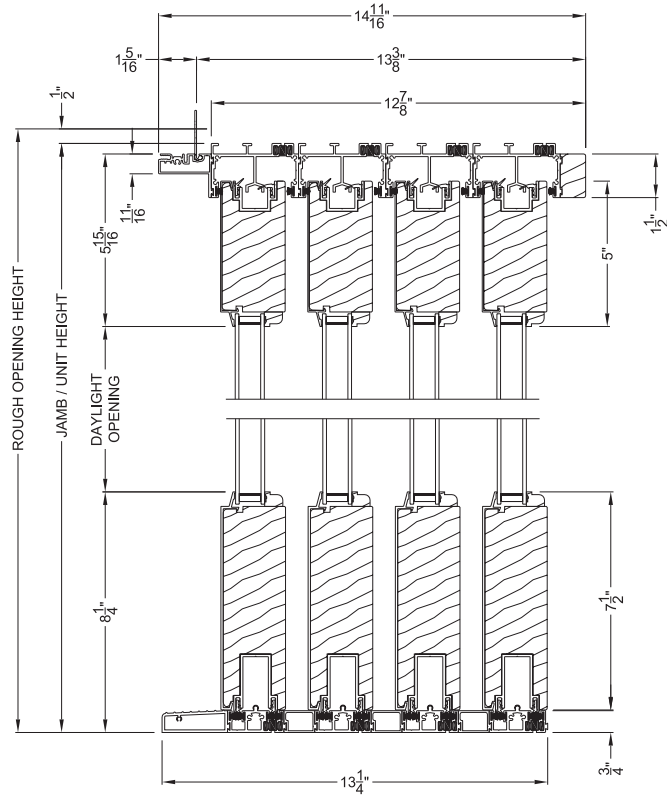


**PREMIUM LIFT & SLIDE PATIO DOOR (8716)**  
Horizontal Pocket Section - 3 or Bi-parting 6 Panel Door

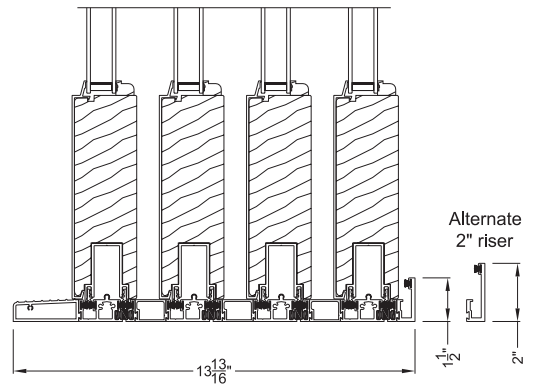
Note: All dimensions are approximate. Weather Shield reserves the right to change specifications without notice.

# PREMIUM SERIES 4-PANEL OR BI-PARTING 8-PANEL LIFT AND SLIDE DOORS (8716)

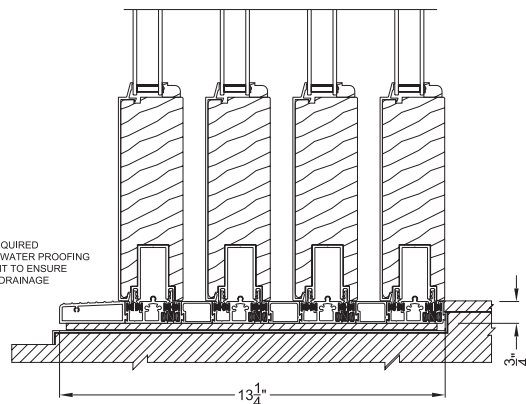
## Cross Sections



**PREMIUM LIFT & SLIDE PATIO DOOR (8716)**  
Vertical Section - Flush Sill - 4 or Bi-parting 8 Panel Door

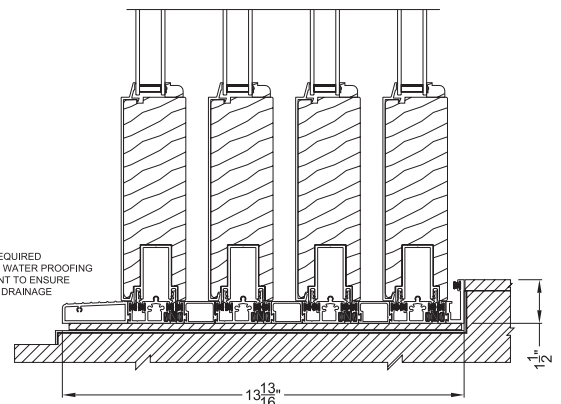


**PREMIUM LIFT & SLIDE PATIO DOOR (8716)**  
Vertical Section - with Sill Riser - 4 or Bi-parting 8 Panel Door



SILL PAN REQUIRED  
CONSULT A WATER PROOFING  
CONSULTANT TO ENSURE  
ADEQUATE DRAINAGE

**PREMIUM LIFT & SLIDE PATIO DOOR (8716)**  
Vertical Section - With sill pan



SILL PAN REQUIRED  
CONSULT A WATER PROOFING  
CONSULTANT TO ENSURE  
ADEQUATE DRAINAGE

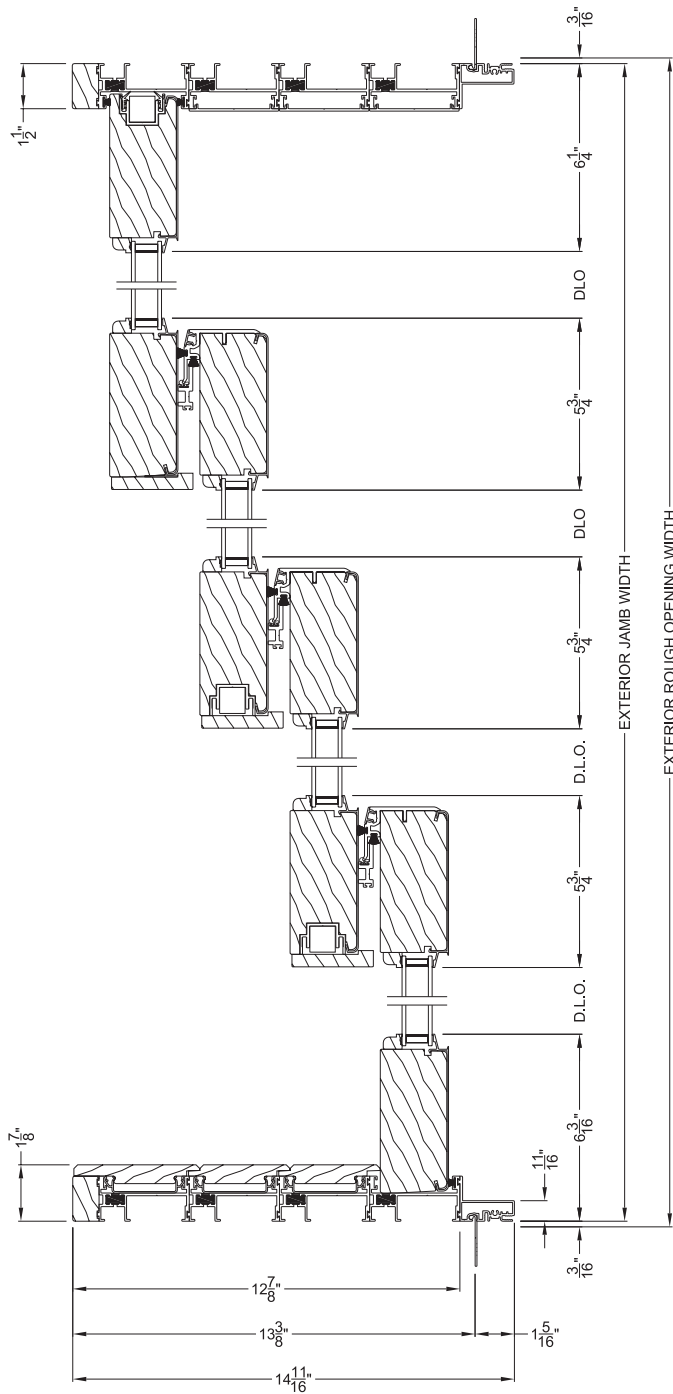
**PREMIUM LIFT & SLIDE PATIO DOOR (8716)**  
Vertical Section - With sill pan

Note: All dimensions are approximate. Weather Shield reserves the right to change specifications without notice.

LIFT AND SLIDE DOORS

# PREMIUM SERIES 4-PANEL LIFT AND SLIDE DOORS (8716)

## Cross Sections

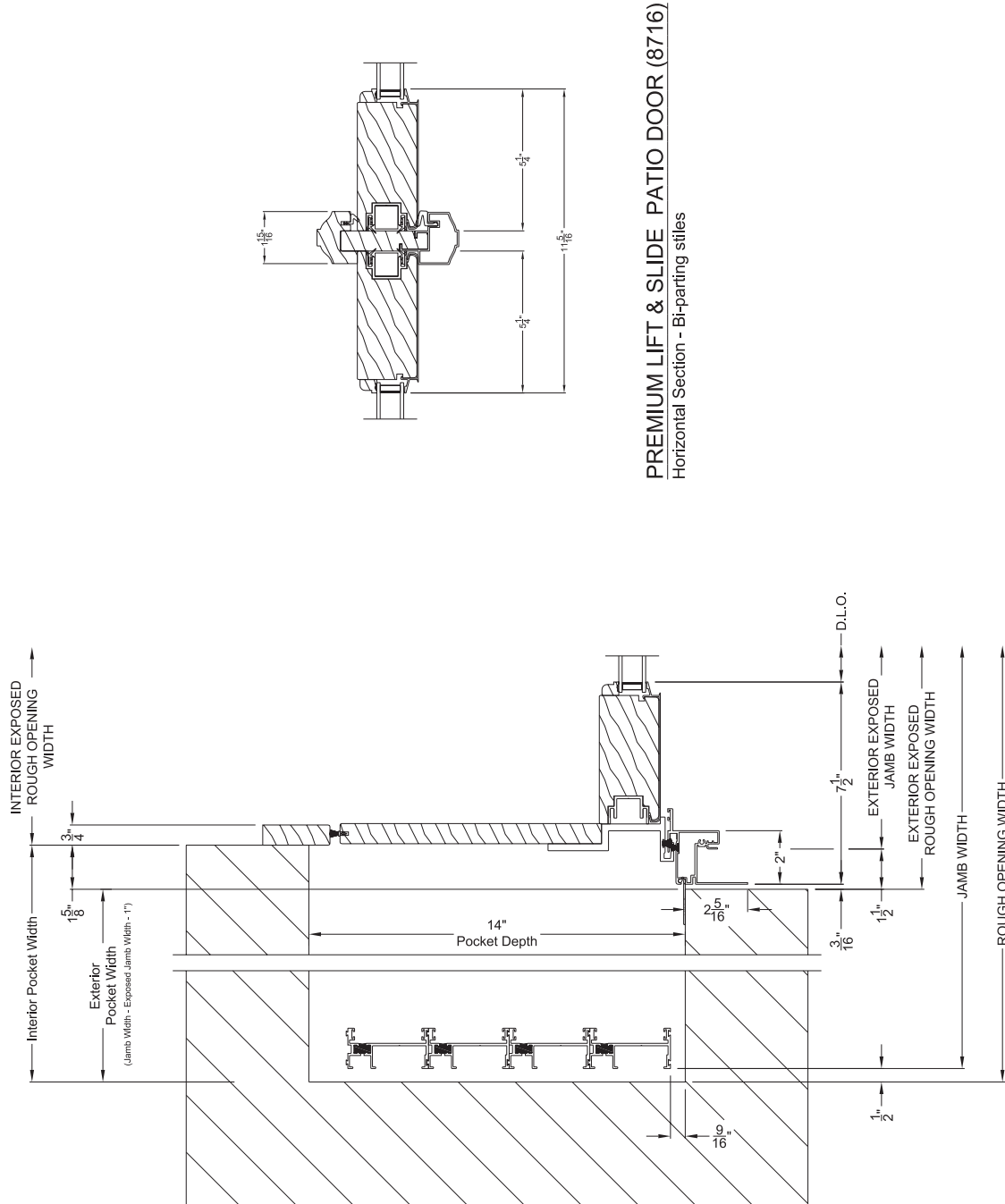


**PREMIUM LIFT & SLIDE PATIO DOOR (8716)**  
Horizontal Section - 4 Panel Door

Note: All dimensions are approximate. Weather Shield reserves the right to change specifications without notice.

# PREMIUM SERIES 4-PANEL OR BI-PARTING 8-PANEL LIFT AND SLIDE DOORS (8716)

## Cross Sections



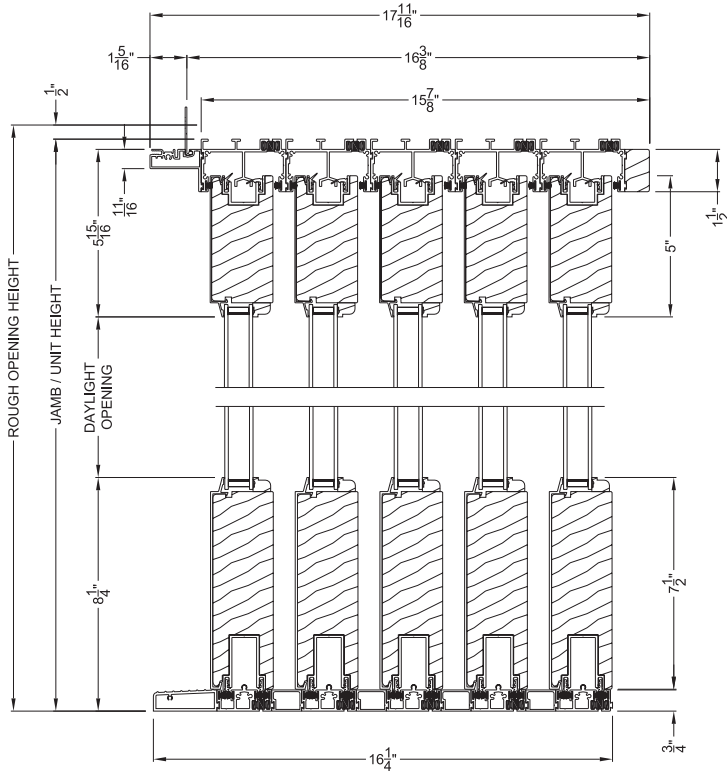
**PREMIUM LIFT & SLIDE PATIO DOOR (8716)**  
Horizontal Section - Bi-parting siles

**PREMIUM LIFT & SLIDE PATIO DOOR (8716)**  
Horizontal Pocket Section - 4 or Bi-parting 8 Panel Door

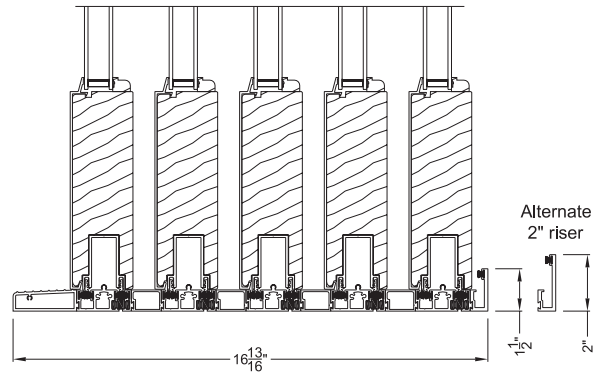
Note: All dimensions are approximate. Weather Shield reserves the right to change specifications without notice.

# PREMIUM SERIES 5-PANEL OR BI-PARTING 10-PANEL LIFT AND SLIDE DOORS (8716)

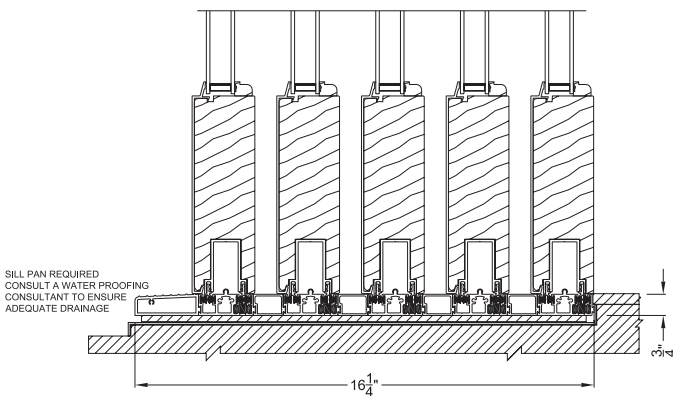
## Cross Sections



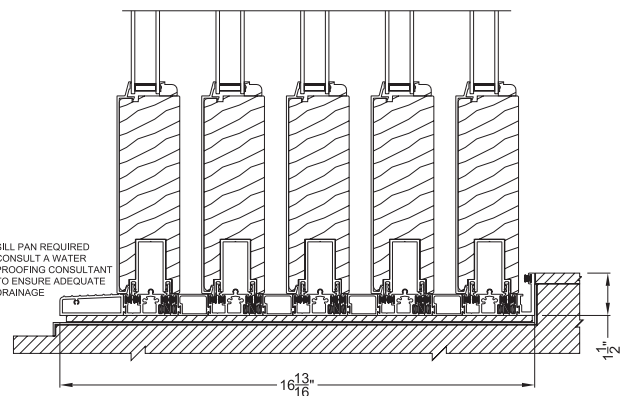
**PREMIUM LIFT & SLIDE PATIO DOOR (8716)**  
Vertical Section - Flush Sill - 5 or Bi-parting 10 Panel Door



**PREMIUM LIFT & SLIDE PATIO DOOR (8716)**  
Vertical Section - with Sill Riser - 5 or Bi-parting 10 Panel Door



**PREMIUM LIFT & SLIDE PATIO DOOR (8716)**  
Vertical Section - with sill pan

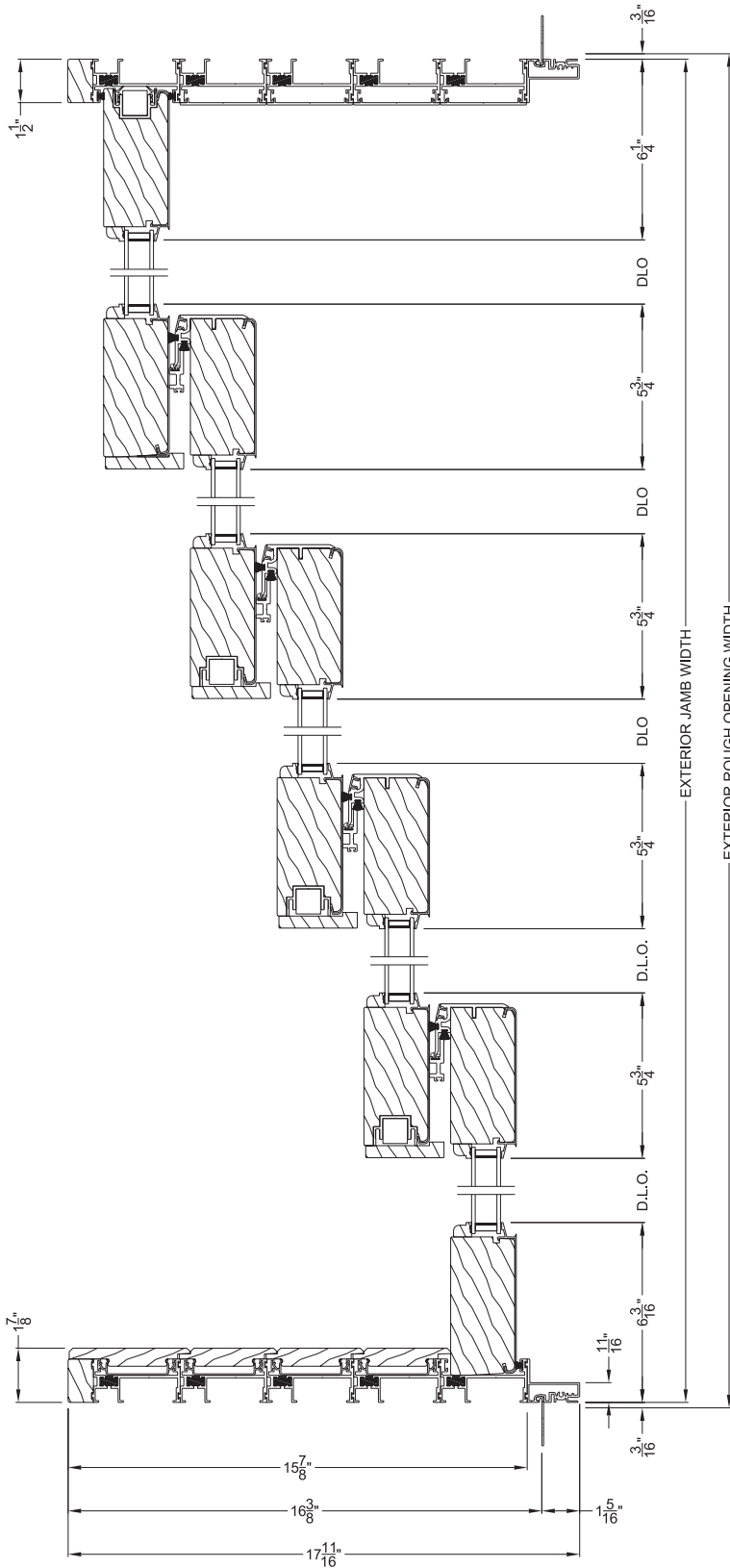


**PREMIUM LIFT & SLIDE PATIO DOOR (8716)**  
Vertical Section - with sill pan

Note: All dimensions are approximate. Weather Shield reserves the right to change specifications without notice.

# PREMIUM SERIES 5 - PANEL LIFT AND SLIDE DOORS (8716)

## Cross Sections

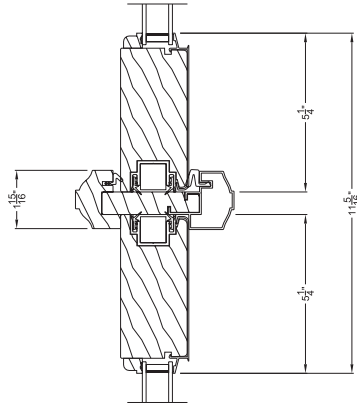


**PREMIUM LIFT & SLIDE PATIO DOOR (8716)**  
Horizontal Section - 5 Panel Door

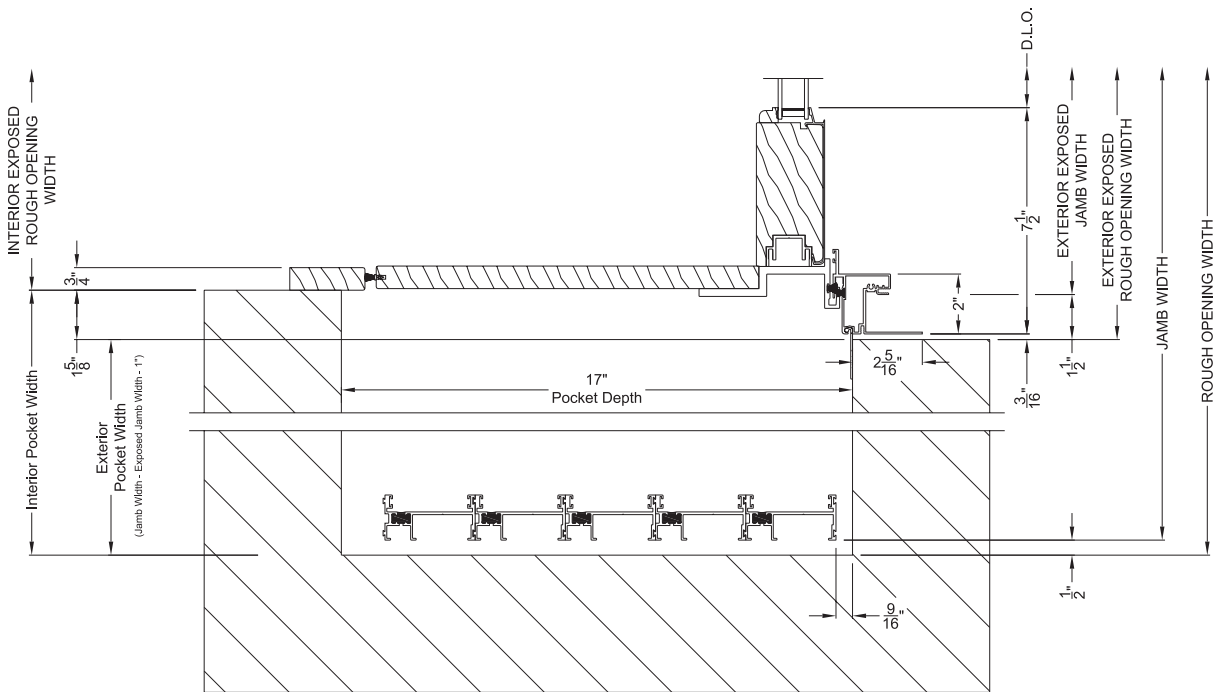
Note: All dimensions are approximate. Weather Shield reserves the right to change specifications without notice.

# PREMIUM SERIES 5-PANEL OR BI-PARTING 10-PANEL LIFT AND SLIDE DOORS (8716)

## Cross Sections



**PREMIUM LIFT & SLIDE PATIO DOOR (8716)**  
Horizontal Section - Bi-parting stiles



**PREMIUM LIFT & SLIDE PATIO DOOR (8716)**  
Horizontal Pocket Section - 5 or Bi-parting 10 Panel Door

Note: All dimensions are approximate. Weather Shield reserves the right to change specifications without notice.

# PREMIUM SERIES LIFT AND SLIDE DOORS SINGLE DIRECTION (8716)

## Opening Specifications

Unit Code	Sq. Ft. Clear Opening / Vent			Clear Opening				Sq. Ft. DLO 7-1/2" Rail	Sq. Ft. DLO 10" Rail	Sq. Ft. Overall Unit Area <sup>a</sup>
	Flush Sill	1.5" Riser	2" Riser	Width	Height Flush Sill	Height 1.5" Riser	Height 2" Riser			
3-0 x 6-8	15.40	15.28	15.18	29.29	75.70	75.14	74.64	22.58	21.70	37.71
4-0 x 6-8	21.70	21.54	21.40	41.29	75.70	75.14	74.64	33.24	31.94	50.79
5-0 x 6-8	28.01	27.80	27.62	53.29	75.70	75.14	74.64	43.90	42.18	63.87
3-0 x 6-10	15.90	15.79	15.69	29.29	78.20	77.64	77.14	23.48	22.58	38.91
4-0 x 6-10	22.42	22.26	22.12	41.29	78.20	77.64	77.14	34.54	33.24	52.41
5-0 x 6-10	28.94	28.73	28.54	53.29	78.20	77.64	77.14	45.62	43.90	65.91
3-0 x 7-2	16.72	16.60	16.50	29.29	82.20	81.64	81.14	24.88	24.00	40.83
4-0 x 7-2	23.57	23.41	23.26	41.29	82.20	81.64	81.14	36.62	35.32	55.00
5-0 x 7-2	30.42	30.21	30.02	53.29	82.20	81.64	81.14	48.36	46.64	69.16
3-0 x 8-0	18.75	18.64	18.53	29.29	92.20	91.64	91.14	28.42	27.54	45.63
4-0 x 8-0	26.43	26.27	26.13	41.29	92.20	91.64	91.14	41.82	40.52	61.47
5-0 x 8-0	34.12	33.91	33.72	53.29	92.20	91.64	91.14	55.24	53.52	77.30
3-0 x 8-2	19.16	19.04	18.94	29.29	94.20	93.64	93.14	29.12	28.24	46.59
4-0 x 8-2	27.01	26.85	26.70	41.29	94.20	93.64	93.14	42.86	41.56	62.76
5-0 x 8-2	34.86	34.65	34.46	53.29	94.20	93.64	93.14	56.60	54.88	78.93
3-0 x 9-0	21.19	21.08	20.98	29.29	104.20	103.64	103.14	32.66	31.78	51.40
4-0 x 9-0	29.87	29.71	29.57	41.29	104.20	103.64	103.14	48.06	46.76	69.23
5-0 x 9-0	38.56	38.35	38.16	53.29	104.20	103.64	103.14	63.48	61.76	87.06
3-0 x 9-2	21.60	21.48	21.38	29.29	106.20	105.64	105.14	33.36	32.48	52.36
4-0 x 9-2	30.45	30.29	30.14	41.29	106.20	105.64	105.14	49.10	47.80	70.52
5-0 x 9-2	39.30	39.09	38.91	53.29	106.20	105.64	105.14	64.84	63.12	88.69
3-0 x 10-0	23.63	23.52	23.42	29.29	116.20	115.64	115.14	36.90	36.02	57.16
4-0 x 10-0	33.32	33.15	33.01	41.29	116.20	115.64	115.14	54.30	53.00	76.99
5-0 x 10-0	43.00	42.79	42.61	53.29	116.20	115.64	115.14	71.72	70.00	96.83
3-0 x 6-8	31.77	31.54	31.33	60.44	75.70	75.14	74.64	33.87	32.55	54.69
4-0 x 6-8	44.39	44.06	43.77	84.44	75.70	75.14	74.64	49.86	47.91	74.32
5-0 x 6-8	57.01	56.58	56.21	108.44	75.70	75.14	74.64	65.85	63.27	93.94
3-0 x 6-10	32.82	32.59	32.38	60.44	78.20	77.64	77.14	35.22	33.87	56.43
4-0 x 6-10	45.86	45.53	45.23	84.44	78.20	77.64	77.14	51.81	49.86	76.68
5-0 x 6-10	58.89	58.47	58.09	108.44	78.20	77.64	77.14	68.43	65.85	96.93
3-0 x 7-2	34.50	34.27	34.06	60.44	82.20	81.64	81.14	37.32	36.00	59.22
4-0 x 7-2	48.20	47.87	47.58	84.44	82.20	81.64	81.14	54.93	52.98	80.47
5-0 x 7-2	61.90	61.48	61.10	108.44	82.20	81.64	81.14	72.54	69.96	101.72
3-0 x 8-0	38.70	38.46	38.25	60.44	92.20	91.64	91.14	42.63	41.31	66.19
4-0 x 8-0	54.07	53.74	53.44	84.44	92.20	91.64	91.14	62.73	60.78	89.94
5-0 x 8-0	69.43	69.01	68.63	108.44	92.20	91.64	91.14	82.86	80.28	113.69
3-0 x 8-2	39.54	39.30	39.09	60.44	94.20	93.64	93.14	43.68	42.36	67.58
4-0 x 8-2	55.24	54.91	54.62	84.44	94.20	93.64	93.14	64.29	62.34	91.83
5-0 x 8-2	70.94	70.52	70.14	108.44	94.20	93.64	93.14	84.90	82.32	116.08
3-0 x 9-0	43.74	43.50	43.29	60.44	104.20	103.64	103.14	48.99	47.67	74.55
4-0 x 9-0	61.10	60.77	60.48	84.44	104.20	103.64	103.14	72.09	70.14	101.30
5-0 x 9-0	78.47	78.05	77.67	108.44	104.20	103.64	103.14	95.22	92.64	128.05
3-0 x 9-2	44.58	44.34	44.13	60.44	106.20	105.64	105.14	50.04	48.72	75.94
4-0 x 9-2	62.28	61.95	61.65	84.44	106.20	105.64	105.14	73.65	71.70	103.19
5-0 x 9-2	79.98	79.55	79.18	108.44	106.20	105.64	105.14	97.26	94.68	130.44
3-0 x 10-0	48.77	48.54	48.33	60.44	116.20	115.64	115.14	55.35	54.03	82.91
4-0 x 10-0	68.14	67.81	67.52	84.44	116.20	115.64	115.14	81.45	79.50	112.66
5-0 x 10-0	87.51	87.08	86.71	108.44	116.20	115.64	115.14	107.58	105.00	142.41
3-0 x 6-8	48.15	47.80	47.48	91.60	75.70	75.14	74.64	45.16	43.40	71.68
4-0 x 6-8	67.08	66.58	66.14	127.60	75.70	75.14	74.64	66.48	63.88	97.84
5-0 x 6-8	86.00	85.36	84.80	163.60	75.70	75.14	74.64	87.80	84.36	124.01
3-0 x 6-10	49.74	49.39	49.07	91.60	78.20	77.64	77.14	46.96	45.16	73.96
4-0 x 6-10	69.29	68.80	68.35	127.60	78.20	77.64	77.14	69.08	66.48	100.96
5-0 x 6-10	88.84	88.20	87.64	163.60	78.20	77.64	77.14	91.24	87.80	127.96
3-0 x 7-2	52.29	51.93	51.61	91.60	82.20	81.64	81.14	49.76	48.00	77.61
4-0 x 7-2	72.84	72.34	71.90	127.60	82.20	81.64	81.14	73.24	70.64	105.94
5-0 x 7-2	93.39	92.75	92.18	163.60	82.20	81.64	81.14	96.72	93.28	134.28
3-0 x 8-0	58.65	58.29	57.97	91.60	92.20	91.64	91.14	56.84	55.08	86.74
4-0 x 8-0	81.70	81.20	80.76	127.60	92.20	91.64	91.14	83.64	81.04	118.41
5-0 x 8-0	104.75	104.11	103.54	163.60	92.20	91.64	91.14	110.48	107.04	150.08
3-0 x 8-2	59.92	59.56	59.25	91.60	94.20	93.64	93.14	58.24	56.48	88.57
4-0 x 8-2	83.47	82.97	82.53	127.60	94.20	93.64	93.14	85.72	83.12	120.90
5-0 x 8-2	107.02	106.38	105.81	163.60	94.20	93.64	93.14	113.20	109.76	153.24
3-0 x 9-0	66.28	65.92	65.61	91.60	104.20	103.64	103.14	65.32	63.56	97.70
4-0 x 9-0	92.33	91.83	91.39	127.60	104.20	103.64	103.14	96.12	93.52	133.37
5-0 x 9-0	118.38	117.74	117.18	163.60	104.20	103.64	103.14	126.96	123.52	169.03
3-0 x 9-2	67.56	67.20	66.88	91.60	106.20	105.64	105.14	66.72	64.96	99.53
4-0 x 9-2	94.11	93.61	93.16	127.60	106.20	105.64	105.14	98.20	95.60	135.86
5-0 x 9-2	120.66	120.02	119.45	163.60	106.20	105.64	105.14	129.68	126.24	172.19
3-0 x 10-0	73.92	73.56	73.24	91.60	116.20	115.64	115.14	73.80	72.04	108.66
4-0 x 10-0	102.97	102.47	102.02	127.60	116.20	115.64	115.14	108.60	106.00	148.32
5-0 x 10-0	132.02	131.38	130.81	163.60	116.20	115.64	115.14	143.44	140.00	187.99

LIFT AND SLIDE DOORS



# PREMIUM SERIES LIFT AND SLIDE DOORS SINGLE DIRECTION (8716)

## Opening Specifications

Unit Code	Sq. Ft. Clear Opening / Vent			Clear Opening				Sq. Ft. DLO 7-1/2" Rail	Sq. Ft. DLO 10" Rail	Sq. Ft. Overall Unit Area <sup>a</sup>	
	Flush Sill	1.5" Riser	2" Riser	Width	Height Flush Sill	Height 1.5" Riser	Height 2" Riser				
5 Panel Doors	3-0 x 6-8	64.53	64.05	63.63	122.76	75.70	75.14	74.64	56.45	54.25	88.66
	4-0 x 6-8	89.77	89.10	88.51	170.76	75.70	75.14	74.64	83.10	79.85	121.37
	5-0 x 6-8	115.00	114.14	113.38	218.76	75.70	75.14	74.64	109.75	105.45	154.08
	3-0 x 6-10	66.66	66.18	65.76	122.76	78.20	77.64	77.14	58.70	56.45	91.49
	4-0 x 6-10	92.73	92.06	91.47	170.76	78.20	77.64	77.14	86.35	83.10	125.24
	5-0 x 6-10	118.80	117.94	117.18	218.76	78.20	77.64	77.14	114.05	109.75	158.99
	3-0 x 7-2	70.07	69.59	69.17	122.76	82.20	81.64	81.14	62.20	60.00	96.00
	4-0 x 7-2	97.47	96.81	96.21	170.76	82.20	81.64	81.14	91.55	88.30	131.42
	5-0 x 7-2	124.87	124.02	123.26	218.76	82.20	81.64	81.14	120.90	116.60	166.84
	3-0 x 8-0	78.60	78.12	77.69	122.76	92.20	91.64	91.14	71.05	68.85	107.30
	4-0 x 8-0	109.33	108.66	108.07	170.76	92.20	91.64	91.14	104.55	101.30	146.88
	5-0 x 8-0	140.06	139.21	138.45	218.76	92.20	91.64	91.14	138.10	133.80	186.46
	3-0 x 8-2	80.30	79.82	79.40	122.76	94.20	93.64	93.14	72.80	70.60	109.56
	4-0 x 8-2	111.70	111.04	110.44	170.76	94.20	93.64	93.14	107.15	103.90	149.97
	5-0 x 8-2	143.10	142.25	141.49	218.76	94.20	93.64	93.14	141.50	137.20	190.39
	3-0 x 9-0	88.83	88.35	87.92	122.76	104.20	103.64	103.14	81.65	79.45	120.85
	4-0 x 9-0	123.56	122.89	122.30	170.76	104.20	103.64	103.14	120.15	116.90	165.43
	5-0 x 9-0	158.29	157.44	156.68	218.76	104.20	103.64	103.14	158.70	154.40	210.02
	3-0 x 9-2	90.53	90.05	89.63	122.76	106.20	105.64	105.14	83.40	81.20	123.11
	4-0 x 9-2	125.93	125.27	124.67	170.76	106.20	105.64	105.14	122.75	119.50	168.53
5-0 x 9-2	161.33	160.48	159.72	218.76	106.20	105.64	105.14	162.10	157.80	213.94	
3-0 x 10-0	99.06	98.58	98.15	122.76	116.20	115.64	115.14	92.25	90.05	134.40	
4-0 x 10-0	137.79	137.12	136.53	170.76	116.20	115.64	115.14	135.75	132.50	183.99	
5-0 x 10-0	176.52	175.67	174.91	218.76	116.20	115.64	115.14	179.30	175.00	233.57	
1 Panel Pocket Doors	3-0 x 6-8	18.32	18.19	18.07	34.86	75.70	75.14	74.64	11.29	10.85	41.40
	4-0 x 6-8	24.63	24.45	24.29	46.86	75.70	75.14	74.64	16.62	15.97	54.48
	5-0 x 6-8	30.94	30.71	30.51	58.86	75.70	75.14	74.64	21.95	21.09	67.57
	3-0 x 6-10	18.93	18.79	18.67	34.86	78.20	77.64	77.14	11.74	11.29	42.72
	4-0 x 6-10	25.44	25.26	25.10	46.86	78.20	77.64	77.14	17.27	16.62	56.22
	5-0 x 6-10	31.96	31.73	31.53	58.86	78.20	77.64	77.14	22.81	21.95	69.72
	3-0 x 7-2	19.90	19.76	19.64	34.86	82.20	81.64	81.14	12.44	12.00	44.83
	4-0 x 7-2	26.75	26.56	26.40	46.86	82.20	81.64	81.14	18.31	17.66	58.99
	5-0 x 7-2	33.60	33.37	33.16	58.86	82.20	81.64	81.14	24.18	23.32	73.16
	3-0 x 8-0	22.32	22.18	22.06	34.86	92.20	91.64	91.14	14.21	13.77	50.10
	4-0 x 8-0	30.00	29.82	29.65	46.86	92.20	91.64	91.14	20.91	20.26	65.93
	5-0 x 8-0	37.68	37.45	37.25	58.86	92.20	91.64	91.14	27.62	26.76	81.77
	3-0 x 8-2	22.80	22.67	22.54	34.86	94.20	93.64	93.14	14.56	14.12	51.16
	4-0 x 8-2	30.65	30.47	30.31	46.86	94.20	93.64	93.14	21.43	20.78	67.32
	5-0 x 8-2	38.50	38.27	38.07	58.86	94.20	93.64	93.14	28.30	27.44	83.49
	3-0 x 9-0	25.22	25.09	24.96	34.86	104.20	103.64	103.14	16.33	15.89	56.43
	4-0 x 9-0	33.90	33.72	33.56	46.86	104.20	103.64	103.14	24.03	23.38	74.26
	5-0 x 9-0	42.59	42.36	42.15	58.86	104.20	103.64	103.14	31.74	30.88	92.10
	3-0 x 9-2	25.71	25.57	25.45	34.86	106.20	105.64	105.14	16.68	16.24	57.48
	4-0 x 9-2	34.56	34.37	34.21	46.86	106.20	105.64	105.14	24.55	23.90	75.65
5-0 x 9-2	43.41	43.18	42.97	58.86	106.20	105.64	105.14	32.42	31.56	93.82	
3-0 x 10-0	28.13	27.99	27.87	34.86	116.20	115.64	115.14	18.45	18.01	62.76	
4-0 x 10-0	37.81	37.63	37.46	46.86	116.20	115.64	115.14	27.15	26.50	82.59	
5-0 x 10-0	47.49	47.26	47.06	58.86	116.20	115.64	115.14	35.86	35.00	102.43	
2 Panel Pocket Doors	3-0 x 6-8	34.70	34.44	34.22	66.01	75.70	75.14	74.64	22.58	21.70	58.38
	4-0 x 6-8	47.32	46.97	46.65	90.01	75.70	75.14	74.64	33.24	31.94	78.01
	5-0 x 6-8	59.94	59.49	59.09	114.01	75.70	75.14	74.64	43.90	42.18	97.63
	3-0 x 6-10	35.85	35.59	35.36	66.01	78.20	77.64	77.14	23.48	22.58	60.24
	4-0 x 6-10	48.88	48.53	48.22	90.01	78.20	77.64	77.14	34.54	33.24	80.49
	5-0 x 6-10	61.91	61.47	61.07	114.01	78.20	77.64	77.14	45.62	43.90	100.74
	3-0 x 7-2	37.68	37.42	37.19	66.01	82.20	81.64	81.14	24.88	24.00	63.22
	4-0 x 7-2	51.38	51.03	50.72	90.01	82.20	81.64	81.14	36.62	35.32	84.47
	5-0 x 7-2	65.08	64.64	64.24	114.01	82.20	81.64	81.14	48.36	46.64	105.72
	3-0 x 8-0	42.27	42.01	41.78	66.01	92.20	91.64	91.14	28.42	27.54	70.66
	4-0 x 8-0	57.63	57.28	56.97	90.01	92.20	91.64	91.14	41.82	40.52	94.41
	5-0 x 8-0	73.00	72.55	72.16	114.01	92.20	91.64	91.14	55.24	53.52	118.16
	3-0 x 8-2	43.18	42.93	42.70	66.01	94.20	93.64	93.14	29.12	28.24	72.14
	4-0 x 8-2	58.88	58.53	58.22	90.01	94.20	93.64	93.14	42.86	41.56	96.39
	5-0 x 8-2	74.58	74.14	73.74	114.01	94.20	93.64	93.14	56.60	54.88	120.64
	3-0 x 9-0	47.77	47.51	47.28	66.01	104.20	103.64	103.14	32.66	31.78	79.58
	4-0 x 9-0	65.13	64.78	64.47	90.01	104.20	103.64	103.14	48.06	46.76	106.33
	5-0 x 9-0	82.50	82.05	81.66	114.01	104.20	103.64	103.14	63.48	61.76	133.08
	3-0 x 9-2	48.68	48.43	48.20	66.01	106.20	105.64	105.14	33.36	32.48	81.07
	4-0 x 9-2	66.38	66.03	65.72	90.01	106.20	105.64	105.14	49.10	47.80	108.32
5-0 x 9-2	84.08	83.64	83.24	114.01	106.20	105.64	105.14	64.84	63.12	135.57	
3-0 x 10-0	53.27	53.01	52.78	66.01	116.20	115.64	115.14	36.90	36.02	88.51	
4-0 x 10-0	72.64	72.28	71.97	90.01	116.20	115.64	115.14	54.30	53.00	118.26	
5-0 x 10-0	92.00	91.56	91.16	114.01	116.20	115.64	115.14	71.72	70.00	148.01	

# PREMIUM SERIES LIFT AND SLIDE DOORS SINGLE DIRECTION (8716)

## Opening Specifications

Unit Code	Sq. Ft. Clear Opening / Vent			Clear Opening				Sq. Ft. DLO 7-1/2" Rail	Sq. Ft. DLO 10" Rail	Sq. Ft. Overall Unit Area <sup>a</sup>											
	Flush Sill	1.5" Riser	2" Riser	Width	Height Flush Sill	Height 1.5" Riser	Height 2" Riser														
<b>3 Panel Pocket Doors</b>																					
											3-0 x 6-8	51.08	50.70	50.36	97.17	75.70	75.14	74.64	33.87	32.55	75.37
											4-0 x 6-8	70.01	69.49	69.02	133.17	75.70	75.14	74.64	49.86	47.91	101.54
											5-0 x 6-8	88.93	88.27	87.68	169.17	75.70	75.14	74.64	65.85	63.27	127.70
											3-0 x 6-10	52.77	52.39	52.05	97.17	78.20	77.64	77.14	35.22	33.87	77.77
											4-0 x 6-10	72.32	71.80	71.34	133.17	78.20	77.64	77.14	51.81	49.86	104.77
											5-0 x 6-10	91.87	91.21	90.62	169.17	78.20	77.64	77.14	68.43	65.85	131.77
											3-0 x 7-2	55.47	55.09	54.75	97.17	82.20	81.64	81.14	37.32	36.00	81.61
											4-0 x 7-2	76.02	75.50	75.03	133.17	82.20	81.64	81.14	54.93	52.98	109.94
											5-0 x 7-2	96.57	95.91	95.32	169.17	82.20	81.64	81.14	72.54	69.96	138.28
											3-0 x 8-0	62.22	61.84	61.50	97.17	92.20	91.64	91.14	42.63	41.31	91.21
											4-0 x 8-0	85.27	84.74	84.28	133.17	92.20	91.64	91.14	62.73	60.78	122.88
											5-0 x 8-0	108.31	107.65	107.07	169.17	92.20	91.64	91.14	82.86	80.28	154.54
											3-0 x 8-2	63.56	63.19	62.85	97.17	94.20	93.64	93.14	43.68	42.36	93.13
											4-0 x 8-2	87.11	86.59	86.13	133.17	94.20	93.64	93.14	64.29	62.34	125.46
											5-0 x 8-2	110.66	110.00	109.42	169.17	94.20	93.64	93.14	84.90	82.32	157.80
											3-0 x 9-0	70.31	69.93	69.60	97.17	104.20	103.64	103.14	48.99	47.67	102.73
											4-0 x 9-0	96.36	95.84	95.38	133.17	104.20	103.64	103.14	72.09	70.14	138.40
											5-0 x 9-0	122.41	121.75	121.16	169.17	104.20	103.64	103.14	95.22	92.64	174.07
											3-0 x 9-2	71.66	71.28	70.95	97.17	106.20	105.64	105.14	50.04	48.72	104.65
4-0 x 9-2	98.21	97.69	97.23	133.17	106.20	105.64	105.14	73.65	71.70	140.99											
5-0 x 9-2	124.76	124.10	123.51	169.17	106.20	105.64	105.14	97.26	94.68	177.32											
3-0 x 10-0	78.41	78.03	77.69	97.17	116.20	115.64	115.14	55.35	54.03	114.25											
4-0 x 10-0	107.46	106.94	106.48	133.17	116.20	115.64	115.14	81.45	79.50	153.92											
5-0 x 10-0	136.51	135.85	135.26	169.17	116.20	115.64	115.14	107.58	105.00	193.59											
<b>4 Panel Pocket Doors</b>																					
											3-0 x 6-8	67.46	66.96	66.51	128.33	75.70	75.14	74.64	45.16	43.40	92.35
											4-0 x 6-8	92.69	92.00	91.39	176.33	75.70	75.14	74.64	66.48	63.88	125.06
											3-0 x 6-10	69.69	69.19	68.74	128.33	78.20	77.64	77.14	46.96	45.16	95.30
											4-0 x 6-10	95.75	95.07	94.45	176.33	78.20	77.64	77.14	69.08	66.48	129.05
											3-0 x 7-2	73.25	72.75	72.31	128.33	82.20	81.64	81.14	49.76	48.00	100.00
											4-0 x 7-2	100.65	99.96	99.35	176.33	82.20	81.64	81.14	73.24	70.64	135.42
											3-0 x 8-0	82.16	81.66	81.22	128.33	92.20	91.64	91.14	56.84	55.08	111.77
											4-0 x 8-0	112.90	112.21	111.60	176.33	92.20	91.64	91.14	83.64	81.04	151.35
											3-0 x 8-2	83.95	83.45	83.00	128.33	94.20	93.64	93.14	58.24	56.48	114.12
											4-0 x 8-2	115.35	114.66	114.05	176.33	94.20	93.64	93.14	85.72	83.12	154.54
											3-0 x 9-0	92.86	92.36	91.91	128.33	104.20	103.64	103.14	65.32	63.56	125.88
											4-0 x 9-0	127.59	126.90	126.29	176.33	104.20	103.64	103.14	96.12	93.52	170.47
											3-0 x 9-2	94.64	94.14	93.69	128.33	106.20	105.64	105.14	66.72	64.96	128.24
											4-0 x 9-2	130.04	129.35	128.74	176.33	106.20	105.64	105.14	98.20	95.60	173.65
											3-0 x 10-0	103.55	103.05	102.61	128.33	116.20	115.64	115.14	73.80	72.04	140.00
4-0 x 10-0	142.29	141.60	140.98	176.33	116.20	115.64	115.14	108.60	106.00	189.59											
<b>5 Panel Pocket Doors</b>																					
											3-0 x 6-8	83.84	83.22	82.66	159.48	75.70	75.14	74.64	56.45	54.25	109.34
											4-0 x 6-8	115.38	114.52	113.76	219.48	75.70	75.14	74.64	83.10	79.85	148.59
											3-0 x 6-10	86.61	85.98	85.43	159.48	78.20	77.64	77.14	58.70	56.45	112.82
											4-0 x 6-10	119.19	118.33	117.57	219.48	78.20	77.64	77.14	86.35	83.10	153.32
											3-0 x 7-2	91.04	90.41	89.86	159.48	82.20	81.64	81.14	62.20	60.00	118.39
											4-0 x 7-2	125.29	124.43	123.67	219.48	82.20	81.64	81.14	91.55	88.30	160.89
											3-0 x 8-0	102.11	101.49	100.94	159.48	92.20	91.64	91.14	71.05	68.85	132.32
											4-0 x 8-0	140.53	139.67	138.91	219.48	92.20	91.64	91.14	104.55	101.30	179.82
											3-0 x 8-2	104.33	103.71	103.15	159.48	94.20	93.64	93.14	72.80	70.60	135.11
											4-0 x 8-2	143.58	142.72	141.96	219.48	94.20	93.64	93.14	107.15	103.90	183.61
											3-0 x 9-0	115.40	114.78	114.23	159.48	104.20	103.64	103.14	81.65	79.45	149.04
											4-0 x 9-0	158.82	157.96	157.20	219.48	104.20	103.64	103.14	120.15	116.90	202.54
											3-0 x 9-2	117.62	117.00	116.44	159.48	106.20	105.64	105.14	83.40	81.20	151.82
											4-0 x 9-2	161.87	161.01	160.25	219.48	106.20	105.64	105.14	122.75	119.50	206.32
											3-0 x 10-0	128.69	128.07	127.52	159.48	116.20	115.64	115.14	92.25	90.05	165.75
4-0 x 10-0	177.11	176.25	175.49	219.48	116.20	115.64	115.14	135.75	132.50	225.25											

<sup>a</sup> Sq. Ft. Overall Unit Area is calculated on the jamb dimension for flush sill.

# PREMIUM SERIES LIFT AND SLIDE DOORS BI-PARTING (8716)

## Opening Specifications

Unit Code	Sq. Ft. Clear Opening / Vent			Clear Opening				Sq. Ft. DLO 7-1/2" Rail	Sq. Ft. DLO 10" Rail	Sq. Ft. Overall Unit Area <sup>a</sup>	
	Flush Sill	1.5" Riser	2" Riser	Width	Height Flush Sill	Height 1.5" Riser	Height 2" Riser				
4 Panel Bi-parting Doors	3-0 x 6-8	31.02	30.79	30.59	59.02	75.70	75.14	74.64	45.16	43.40	74.72
	4-0 x 6-8	43.64	43.32	43.03	83.02	75.70	75.14	74.64	66.48	63.88	100.89
	5-0 x 6-8	56.26	55.84	55.47	107.02	75.70	75.14	74.64	87.80	84.36	127.05
	3-0 x 6-10	32.05	31.82	31.61	59.02	78.20	77.64	77.14	46.96	45.16	77.10
	4-0 x 6-10	45.08	44.76	44.47	83.02	78.20	77.64	77.14	69.08	66.48	104.10
	5-0 x 6-10	58.11	57.70	57.33	107.02	78.20	77.64	77.14	91.24	87.80	131.10
	3-0 x 7-2	33.69	33.46	33.25	59.02	82.20	81.64	81.14	49.76	48.00	80.91
	4-0 x 7-2	47.39	47.06	46.77	83.02	82.20	81.64	81.14	73.24	70.64	109.24
	5-0 x 7-2	61.09	60.67	60.30	107.02	82.20	81.64	81.14	96.72	93.28	137.57
	3-0 x 8-0	37.79	37.56	37.35	59.02	92.20	91.64	91.14	56.84	55.08	90.43
	4-0 x 8-0	53.15	52.83	52.54	83.02	92.20	91.64	91.14	83.64	81.04	122.09
	5-0 x 8-0	68.52	68.10	67.73	107.02	92.20	91.64	91.14	110.48	107.04	153.76
	3-0 x 8-2	38.61	38.37	38.17	59.02	94.20	93.64	93.14	58.24	56.48	92.33
	4-0 x 8-2	54.31	53.98	53.69	83.02	94.20	93.64	93.14	85.72	83.12	124.66
	5-0 x 8-2	70.01	69.59	69.22	107.02	94.20	93.64	93.14	113.20	109.76	157.00
	3-0 x 9-0	42.70	42.47	42.27	59.02	104.20	103.64	103.14	65.32	63.56	101.85
	4-0 x 9-0	60.07	59.75	59.46	83.02	104.20	103.64	103.14	96.12	93.52	137.51
	5-0 x 9-0	77.44	77.02	76.65	107.02	104.20	103.64	103.14	126.96	123.52	173.18
	3-0 x 9-2	43.52	43.29	43.09	59.02	106.20	105.64	105.14	66.72	64.96	103.75
	4-0 x 9-2	61.22	60.90	60.61	83.02	106.20	105.64	105.14	98.20	95.60	140.09
5-0 x 9-2	78.92	78.51	78.13	107.02	106.20	105.64	105.14	129.68	126.24	176.42	
3-0 x 10-0	47.62	47.39	47.19	59.02	116.20	115.64	115.14	73.80	72.04	113.27	
4-0 x 10-0	66.99	66.66	66.38	83.02	116.20	115.64	115.14	108.60	106.00	152.94	
5-0 x 10-0	86.36	85.94	85.57	107.02	116.20	115.64	115.14	143.44	140.00	192.60	
6 Panel Bi-parting Doors	3-0 x 6-8	63.78	63.31	62.89	121.33	75.70	75.14	74.64	67.74	65.10	108.69
	4-0 x 6-8	89.01	88.35	87.77	169.33	75.70	75.14	74.64	99.72	95.82	147.94
	5-0 x 6-8	114.25	113.40	112.64	217.33	75.70	75.14	74.64	131.70	126.54	187.19
	3-0 x 6-10	65.89	65.41	64.99	121.33	78.20	77.64	77.14	70.44	67.74	112.15
	4-0 x 6-10	91.95	91.29	90.71	169.33	78.20	77.64	77.14	103.62	99.72	152.65
	5-0 x 6-10	118.02	117.17	116.42	217.33	78.20	77.64	77.14	136.86	131.70	193.15
	3-0 x 7-2	69.26	68.78	68.36	121.33	82.20	81.64	81.14	74.64	72.00	117.69
	4-0 x 7-2	96.66	96.00	95.41	169.33	82.20	81.64	81.14	109.86	105.96	160.19
	5-0 x 7-2	124.06	123.21	122.45	217.33	82.20	81.64	81.14	145.08	139.92	202.69
	3-0 x 8-0	77.68	77.21	76.79	121.33	92.20	91.64	91.14	85.26	82.62	131.54
	4-0 x 8-0	108.42	107.76	107.17	169.33	92.20	91.64	91.14	125.46	121.56	179.04
	5-0 x 8-0	139.15	138.30	137.55	217.33	92.20	91.64	91.14	165.72	160.56	226.54
	3-0 x 8-2	79.37	78.90	78.47	121.33	94.20	93.64	93.14	87.36	84.72	134.30
	4-0 x 8-2	110.77	110.11	109.52	169.33	94.20	93.64	93.14	128.58	124.68	182.80
	5-0 x 8-2	142.17	141.32	140.57	217.33	94.20	93.64	93.14	169.80	164.64	231.30
	3-0 x 9-0	87.79	87.32	86.90	121.33	104.20	103.64	103.14	97.98	95.34	148.15
	4-0 x 9-0	122.53	121.87	121.28	169.33	104.20	103.64	103.14	144.18	140.28	201.65
	5-0 x 9-0	157.26	156.41	155.66	217.33	104.20	103.64	103.14	190.44	185.28	255.15
	3-0 x 9-2	89.48	89.01	88.58	121.33	106.20	105.64	105.14	100.08	97.44	150.92
	4-0 x 9-2	124.88	124.22	123.63	169.33	106.20	105.64	105.14	147.30	143.40	205.42
5-0 x 9-2	160.28	159.43	158.68	217.33	106.20	105.64	105.14	194.52	189.36	259.92	
3-0 x 10-0	97.91	97.43	97.01	121.33	116.20	115.64	115.14	110.70	108.06	164.77	
4-0 x 10-0	136.64	135.98	135.39	169.33	116.20	115.64	115.14	162.90	159.00	224.27	
5-0 x 10-0	175.37	174.52	173.77	217.33	116.20	115.64	115.14	215.16	210.00	283.77	
8 Panel Bi-parting Doors	3-0 x 6-8	96.54	95.82	95.18	183.64	75.70	75.14	74.64	90.32	86.80	142.66
	4-0 x 6-8	134.39	133.39	132.50	255.64	75.70	75.14	74.64	132.96	127.76	194.99
	5-0 x 6-8	172.24	170.96	169.82	327.64	75.70	75.14	74.64	175.60	168.72	247.33
	3-0 x 6-10	99.73	99.01	98.37	183.64	78.20	77.64	77.14	93.92	90.32	147.20
	4-0 x 6-10	138.83	137.83	136.94	255.64	78.20	77.64	77.14	138.16	132.96	201.20
	5-0 x 6-10	177.93	176.65	175.51	327.64	78.20	77.64	77.14	182.48	175.60	255.20
	3-0 x 7-2	104.83	104.11	103.47	183.64	82.20	81.64	81.14	99.52	96.00	154.47
	4-0 x 7-2	145.93	144.93	144.04	255.64	82.20	81.64	81.14	146.48	141.28	211.14
	5-0 x 7-2	187.03	185.75	184.61	327.64	82.20	81.64	81.14	193.44	186.56	267.81
	3-0 x 8-0	117.58	116.86	116.23	183.64	92.20	91.64	91.14	113.68	110.16	172.65
	4-0 x 8-0	163.68	162.68	161.80	255.64	92.20	91.64	91.14	167.28	162.08	235.98
	5-0 x 8-0	209.78	208.50	207.36	327.64	92.20	91.64	91.14	220.96	214.08	299.31
	3-0 x 8-2	120.13	119.42	118.78	183.64	94.20	93.64	93.14	116.48	112.96	176.28
	4-0 x 8-2	167.23	166.23	165.35	255.64	94.20	93.64	93.14	171.44	166.24	240.95
	5-0 x 8-2	214.33	213.05	211.91	327.64	94.20	93.64	93.14	226.40	219.52	305.61
	3-0 x 9-0	132.89	132.17	131.53	183.64	104.20	103.64	103.14	130.64	127.12	194.45
	4-0 x 9-0	184.99	183.99	183.10	255.64	104.20	103.64	103.14	192.24	187.04	265.79
	5-0 x 9-0	237.08	235.81	234.67	327.64	104.20	103.64	103.14	253.92	247.04	337.12
	3-0 x 9-2	135.44	134.72	134.08	183.64	106.20	105.64	105.14	133.44	129.92	198.09
	4-0 x 9-2	188.54	187.54	186.65	255.64	106.20	105.64	105.14	196.40	191.20	270.76
5-0 x 9-2	241.64	240.36	239.22	327.64	106.20	105.64	105.14	259.36	252.48	343.42	
3-0 x 10-0	148.19	147.47	146.83	183.64	116.20	115.64	115.14	147.60	144.08	216.26	
4-0 x 10-0	206.29	205.29	204.40	255.64	116.20	115.64	115.14	217.20	212.00	295.60	
5-0 x 10-0	264.39	263.11	261.97	327.64	116.20	115.64	115.14	286.88	280.00	374.93	

# PREMIUM SERIES LIFT AND SLIDE DOORS BI-PARTING (8716)

## Opening Specifications

Unit Code	Sq. Ft. Clear Opening / Vent			Clear Opening				Sq. Ft. DLO 7-1/2" Rail	Sq. Ft. DLO 10" Rail	Sq. Ft. Overall Unit Area <sup>a</sup>
	Flush Sill	1.5" Riser	2" Riser	Width	Height Flush Sill	Height 1.5" Riser	Height 2" Riser			
3-0 x 6-8	129.30	128.34	127.48	245.96	75.70	75.14	74.64	112.90	108.50	176.63
4-0 x 6-8	179.76	178.43	177.24	341.96	75.70	75.14	74.64	166.20	159.70	242.05
5-0 x 6-8	230.23	228.52	227.00	437.96	75.70	75.14	74.64	219.50	210.90	307.46
3-0 x 6-10	133.57	132.61	131.75	245.96	78.20	77.64	77.14	117.40	112.90	182.25
4-0 x 6-10	185.70	184.36	183.18	341.96	78.20	77.64	77.14	172.70	166.20	249.75
5-0 x 6-10	237.83	236.12	234.60	437.96	78.20	77.64	77.14	228.10	219.50	317.25
3-0 x 7-2	140.40	139.44	138.58	245.96	82.20	81.64	81.14	124.40	120.00	191.25
4-0 x 7-2	195.20	193.86	192.68	341.96	82.20	81.64	81.14	183.10	176.60	262.09
5-0 x 7-2	250.00	248.29	246.77	437.96	82.20	81.64	81.14	241.80	233.20	332.92
3-0 x 8-0	157.48	156.52	155.67	245.96	92.20	91.64	91.14	142.10	137.70	213.76
4-0 x 8-0	218.95	217.61	216.42	341.96	92.20	91.64	91.14	209.10	202.60	292.92
5-0 x 8-0	280.41	278.70	277.18	437.96	92.20	91.64	91.14	276.20	267.60	372.09
3-0 x 8-2	160.90	159.94	159.08	245.96	94.20	93.64	93.14	145.60	141.20	218.26
4-0 x 8-2	223.70	222.36	221.17	341.96	94.20	93.64	93.14	214.30	207.80	299.09
5-0 x 8-2	286.50	284.78	283.26	437.96	94.20	93.64	93.14	283.00	274.40	379.92
3-0 x 9-0	177.98	177.02	176.16	245.96	104.20	103.64	103.14	163.30	158.90	240.76
4-0 x 9-0	247.44	246.11	244.92	341.96	104.20	103.64	103.14	240.30	233.80	329.92
5-0 x 9-0	316.91	315.20	313.68	437.96	104.20	103.64	103.14	317.40	308.80	419.09
3-0 x 9-2	181.39	180.43	179.58	245.96	106.20	105.64	105.14	166.80	162.40	245.26
4-0 x 9-2	252.19	250.86	249.67	341.96	106.20	105.64	105.14	245.50	239.00	336.09
5-0 x 9-2	322.99	321.28	319.76	437.96	106.20	105.64	105.14	324.20	315.60	426.92
3-0 x 10-0	198.47	197.51	196.66	245.96	116.20	115.64	115.14	184.50	180.10	267.76
4-0 x 10-0	275.94	274.60	273.42	341.96	116.20	115.64	115.14	271.50	265.00	366.92
5-0 x 10-0	353.41	351.70	350.18	437.96	116.20	115.64	115.14	358.60	350.00	466.09
3-0 x 6-8	37.65	37.37	37.12	71.62	75.70	75.14	74.64	22.58	21.70	82.10
4-0 x 6-8	50.27	49.89	49.56	95.62	75.70	75.14	74.64	33.24	31.94	108.27
5-0 x 6-8	62.88	62.42	62.00	119.62	75.70	75.14	74.64	43.90	42.18	134.44
3-0 x 6-10	38.89	38.61	38.36	71.62	78.20	77.64	77.14	23.48	22.58	84.72
4-0 x 6-10	51.93	51.55	51.22	95.62	78.20	77.64	77.14	34.54	33.24	111.72
5-0 x 6-10	64.96	64.49	64.08	119.62	78.20	77.64	77.14	45.62	43.90	138.72
3-0 x 7-2	40.88	40.60	40.35	71.62	82.20	81.64	81.14	24.88	24.00	88.90
4-0 x 7-2	54.58	54.21	53.88	95.62	82.20	81.64	81.14	36.62	35.32	117.24
5-0 x 7-2	68.28	67.82	67.40	119.62	82.20	81.64	81.14	48.36	46.64	145.57
3-0 x 8-0	45.86	45.58	45.33	71.62	92.20	91.64	91.14	28.42	27.54	99.36
4-0 x 8-0	61.22	60.85	60.52	95.62	92.20	91.64	91.14	41.82	40.52	131.03
5-0 x 8-0	76.59	76.12	75.71	119.62	92.20	91.64	91.14	55.24	53.52	162.70
3-0 x 8-2	46.85	46.57	46.32	71.62	94.20	93.64	93.14	29.12	28.24	101.45
4-0 x 8-2	62.55	62.18	61.85	95.62	94.20	93.64	93.14	42.86	41.56	133.79
5-0 x 8-2	78.25	77.78	77.37	119.62	94.20	93.64	93.14	56.60	54.88	166.12
3-0 x 9-0	51.82	51.55	51.30	71.62	104.20	103.64	103.14	32.66	31.78	111.91
4-0 x 9-0	69.19	68.82	68.49	95.62	104.20	103.64	103.14	48.06	46.76	147.58
5-0 x 9-0	86.56	86.09	85.68	119.62	104.20	103.64	103.14	63.48	61.76	183.25
3-0 x 9-2	52.82	52.54	52.29	71.62	106.20	105.64	105.14	33.36	32.48	114.01
4-0 x 9-2	70.52	70.15	69.81	95.62	106.20	105.64	105.14	49.10	47.80	150.34
5-0 x 9-2	88.22	87.75	87.34	119.62	106.20	105.64	105.14	64.84	63.12	186.67
3-0 x 10-0	57.79	57.51	57.26	71.62	116.20	115.64	115.14	36.90	36.02	124.47
4-0 x 10-0	77.16	76.79	76.45	95.62	116.20	115.64	115.14	54.30	53.00	164.13
5-0 x 10-0	96.53	96.06	95.64	119.62	116.20	115.64	115.14	71.72	70.00	203.80
3-0 x 6-8	70.41	69.88	69.42	133.93	75.70	75.14	74.64	45.16	43.40	116.07
4-0 x 6-8	95.64	94.93	94.30	181.93	75.70	75.14	74.64	66.48	63.88	155.32
5-0 x 6-8	120.87	119.98	119.18	229.93	75.70	75.14	74.64	87.80	84.36	194.57
3-0 x 6-10	72.73	72.21	71.74	133.93	78.20	77.64	77.14	46.96	45.16	119.77
4-0 x 6-10	98.80	98.09	97.46	181.93	78.20	77.64	77.14	69.08	66.48	160.27
5-0 x 6-10	124.87	123.97	123.17	229.93	78.20	77.64	77.14	91.24	87.80	200.77
3-0 x 7-2	76.45	75.93	75.47	133.93	82.20	81.64	81.14	49.76	48.00	125.69
4-0 x 7-2	103.85	103.14	102.51	181.93	82.20	81.64	81.14	73.24	70.64	168.19
5-0 x 7-2	131.25	130.36	129.56	229.93	82.20	81.64	81.14	96.72	93.28	210.69
3-0 x 8-0	85.75	85.23	84.77	133.93	92.20	91.64	91.14	56.84	55.08	140.47
4-0 x 8-0	116.49	115.78	115.15	181.93	92.20	91.64	91.14	83.64	81.04	187.97
5-0 x 8-0	147.22	146.32	145.52	229.93	92.20	91.64	91.14	110.48	107.04	235.47
3-0 x 8-2	87.61	87.09	86.63	133.93	94.20	93.64	93.14	58.24	56.48	143.43
4-0 x 8-2	119.01	118.30	117.67	181.93	94.20	93.64	93.14	85.72	83.12	191.93
5-0 x 8-2	150.41	149.52	148.72	229.93	94.20	93.64	93.14	113.20	109.76	240.43
3-0 x 9-0	96.92	96.39	95.93	133.93	104.20	103.64	103.14	65.32	63.56	158.22
4-0 x 9-0	131.65	130.94	130.31	181.93	104.20	103.64	103.14	96.12	93.52	211.72
5-0 x 9-0	166.38	165.48	164.69	229.93	104.20	103.64	103.14	126.96	123.52	265.22
3-0 x 9-2	98.78	98.25	97.79	133.93	106.20	105.64	105.14	66.72	64.96	161.17
4-0 x 9-2	134.18	133.47	132.83	181.93	106.20	105.64	105.14	98.20	95.60	215.67
5-0 x 9-2	169.58	168.68	167.88	229.93	106.20	105.64	105.14	129.68	126.24	270.17
3-0 x 10-0	108.08	107.55	107.09	133.93	116.20	115.64	115.14	73.80	72.04	175.96
4-0 x 10-0	146.81	146.10	145.47	181.93	116.20	115.64	115.14	108.60	106.00	235.46
5-0 x 10-0	185.54	184.65	183.85	229.93	116.20	115.64	115.14	143.44	140.00	294.96

LIFT AND SLIDE DOORS

# PREMIUM SERIES LIFT AND SLIDE DOORS BI-PARTING (8716)

## Opening Specifications

	Unit Code	Sq. Ft. Clear Opening / Vent			Clear Opening				Sq. Ft. DLO 7-1/2" Rail	Sq. Ft. DLO 10" Rail	Sq. Ft. Overall Unit Area <sup>a</sup>
		Flush Sill	1.5" Riser	2" Riser	Width	Height Flush Sill	Height 1.5" Riser	Height 2" Riser			
6 Panel Bi-parting Pocket Doors	3-0 x 6-8	103.17	102.40	101.72	196.25	75.70	75.14	74.64	67.74	65.10	150.04
	4-0 x 6-8	141.02	139.97	139.04	268.25	75.70	75.14	74.64	99.72	95.82	202.38
	5-0 x 6-8	178.87	177.54	176.35	340.25	75.70	75.14	74.64	131.70	126.54	254.71
	3-0 x 6-10	106.57	105.81	105.12	196.25	78.20	77.64	77.14	70.44	67.74	154.82
	4-0 x 6-10	145.67	144.62	143.69	268.25	78.20	77.64	77.14	103.62	99.72	208.82
	5-0 x 6-10	184.77	183.44	182.26	340.25	78.20	77.64	77.14	136.86	131.70	262.82
	3-0 x 7-2	112.02	111.26	110.58	196.25	82.20	81.64	81.14	74.64	72.00	162.47
	4-0 x 7-2	153.12	152.08	151.14	268.25	82.20	81.64	81.14	109.86	105.96	219.14
	5-0 x 7-2	194.22	192.89	191.71	340.25	82.20	81.64	81.14	145.08	139.92	275.80
	3-0 x 8-0	125.65	124.89	124.20	196.25	92.20	91.64	91.14	85.26	82.62	181.58
	4-0 x 8-0	171.75	170.70	169.77	268.25	92.20	91.64	91.14	125.46	121.56	244.92
	5-0 x 8-0	217.85	216.52	215.34	340.25	92.20	91.64	91.14	165.72	160.56	308.25
	3-0 x 8-2	128.38	127.61	126.93	196.25	94.20	93.64	93.14	87.36	84.72	185.41
	4-0 x 8-2	175.48	174.43	173.50	268.25	94.20	93.64	93.14	128.58	124.68	250.07
	5-0 x 8-2	222.58	221.25	220.07	340.25	94.20	93.64	93.14	169.80	164.64	314.74
	3-0 x 9-0	142.01	141.24	140.56	196.25	104.20	103.64	103.14	97.98	95.34	204.52
	4-0 x 9-0	194.11	193.06	192.13	268.25	104.20	103.64	103.14	144.18	140.28	275.85
	5-0 x 9-0	246.21	244.88	243.70	340.25	104.20	103.64	103.14	190.44	185.28	347.19
	3-0 x 9-2	144.73	143.97	143.28	196.25	106.20	105.64	105.14	100.08	97.44	208.34
	4-0 x 9-2	197.83	196.79	195.85	268.25	106.20	105.64	105.14	147.30	143.40	281.01
5-0 x 9-2	250.93	249.60	248.42	340.25	106.20	105.64	105.14	194.52	189.36	353.68	
3-0 x 10-0	158.36	157.59	156.91	196.25	116.20	115.64	115.14	110.70	108.06	227.46	
4-0 x 10-0	216.46	215.41	214.48	268.25	116.20	115.64	115.14	162.90	159.00	306.79	
5-0 x 10-0	274.56	273.23	272.05	340.25	116.20	115.64	115.14	215.16	210.00	386.12	
8 Panel Bi-parting Pocket Doors	3-0 x 6-8	135.92	134.91	134.02	258.56	75.70	75.14	74.64	90.32	86.80	184.01
	4-0 x 6-8	186.39	185.01	183.77	354.56	75.70	75.14	74.64	132.96	127.76	249.43
	3-0 x 6-10	140.41	139.40	138.50	258.56	78.20	77.64	77.14	93.92	90.32	189.87
	4-0 x 6-10	192.55	191.16	189.93	354.56	78.20	77.64	77.14	138.16	132.96	257.37
	3-0 x 7-2	147.59	146.58	145.69	258.56	82.20	81.64	81.14	99.52	96.00	199.25
	4-0 x 7-2	202.39	201.01	199.78	354.56	82.20	81.64	81.14	146.48	141.28	270.08
	3-0 x 8-0	165.55	164.54	163.64	258.56	92.20	91.64	91.14	113.68	110.16	222.69
	4-0 x 8-0	227.02	225.63	224.40	354.56	92.20	91.64	91.14	167.28	162.08	301.86
	3-0 x 8-2	169.14	168.13	167.23	258.56	94.20	93.64	93.14	116.48	112.96	227.38
	4-0 x 8-2	231.94	230.56	229.33	354.56	94.20	93.64	93.14	171.44	166.24	308.21
	3-0 x 9-0	187.10	186.09	185.19	258.56	104.20	103.64	103.14	130.64	127.12	250.82
	4-0 x 9-0	256.56	255.18	253.95	354.56	104.20	103.64	103.14	192.24	187.04	339.99
	3-0 x 9-2	190.69	189.68	188.78	258.56	106.20	105.64	105.14	133.44	129.92	255.51
	4-0 x 9-2	261.49	260.10	258.87	354.56	106.20	105.64	105.14	196.40	191.20	346.34
	3-0 x 10-0	208.65	207.64	206.74	258.56	116.20	115.64	115.14	147.60	144.08	278.95
	4-0 x 10-0	286.11	284.73	283.50	354.56	116.20	115.64	115.14	217.20	212.00	378.12
10 Panel Bi-parting Pocket Doors	3-0 x 6-8	168.68	167.43	166.31	320.88	75.70	75.14	74.64	112.90	108.50	217.98
	4-0 x 6-8	231.76	230.04	228.51	440.88	75.70	75.14	74.64	166.20	159.70	296.48
	3-0 x 6-10	174.25	173.00	171.88	320.88	78.20	77.64	77.14	117.40	112.90	224.93
	4-0 x 6-10	239.42	237.70	236.17	440.88	78.20	77.64	77.14	172.70	166.20	305.93
	3-0 x 7-2	183.17	181.91	180.80	320.88	82.20	81.64	81.14	124.40	120.00	236.03
	4-0 x 7-2	251.67	249.94	248.41	440.88	82.20	81.64	81.14	183.10	176.60	321.03
	3-0 x 8-0	205.45	204.20	203.08	320.88	92.20	91.64	91.14	142.10	137.70	263.80
	4-0 x 8-0	282.28	280.56	279.03	440.88	92.20	91.64	91.14	209.10	202.60	358.80
	3-0 x 8-2	209.91	208.65	207.54	320.88	94.20	93.64	93.14	145.60	141.20	269.36
	4-0 x 8-2	288.40	286.68	285.15	440.88	94.20	93.64	93.14	214.30	207.80	366.36
	3-0 x 9-0	232.19	230.93	229.82	320.88	104.20	103.64	103.14	163.30	158.90	297.12
	4-0 x 9-0	319.02	317.30	315.77	440.88	104.20	103.64	103.14	240.30	233.80	404.12
	3-0 x 9-2	236.65	235.39	234.28	320.88	106.20	105.64	105.14	166.80	162.40	302.68
	4-0 x 9-2	325.15	323.42	321.89	440.88	106.20	105.64	105.14	245.50	239.00	411.68
	3-0 x 10-0	258.93	257.68	256.56	320.88	116.20	115.64	115.14	184.50	180.10	330.45
	4-0 x 10-0	355.76	354.04	352.51	440.88	116.20	115.64	115.14	271.50	265.00	449.45

<sup>a</sup> Sq. Ft. Overall Unit Area is calculated on the jamb dimension for flush sill.

# PREMIUM SERIES MULTI-SLIDE DOORS

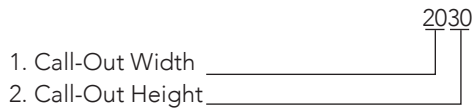
---

## Multi-Slide Door Table of Contents

Multi-Slide Door Footnotes .....	164	Multi-Slide Door Size Charts.....	167
Multi-Slide Door Quick Spec Guide.....	165	Multi-Slide Door Cross Sections.....	176
Multi-Slide Door Panel Configurations.....	166	Multi-Slide Door Opening Specifications .....	214

### Size Codes:

The Weather Shield size code uses meaningful characters to denote standard sizes. For example:



# PREMIUM SERIES MULTI-SLIDE DOORS (8719/8721)

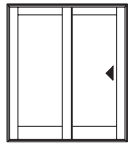
## Quick Spec Guide

SPECIFICATION	STANDARD FEATURES	OPTIONAL FEATURES
<b>EXTERIOR FINISH</b>	<ul style="list-style-type: none"> <li>White</li> <li>Cameo</li> <li>Tan</li> <li>Desert Tan</li> <li>Heritage Brown</li> <li>Adobe</li> </ul>	<ul style="list-style-type: none"> <li>Craftsman Bronze</li> <li>Brick Red</li> <li>Hartford Green</li> <li>Gray Matters</li> <li>Obsidian</li> <li>Jet Black</li> </ul>
<b>PANEL THICKNESS</b>	<ul style="list-style-type: none"> <li>1-3/4" (8719)</li> </ul>	<ul style="list-style-type: none"> <li>2-1/4" (8721)</li> </ul>
<b>INTERIOR FINISH</b>	<ul style="list-style-type: none"> <li>Natural</li> </ul>	<ul style="list-style-type: none"> <li>4 Radiant Metallic</li> <li>45 Designer</li> <li>8 Anodized</li> <li>Custom Color</li> <li>Golden Oak</li> <li>Chestnut</li> <li>Prefinished White &amp; Black</li> <li>Poly – 12 Standard / 45 Designer</li> </ul>
<b>INTERIOR SPECIES</b>	<ul style="list-style-type: none"> <li>Pine</li> </ul>	<ul style="list-style-type: none"> <li>Oak</li> <li>Maple</li> <li>Alder (Character)</li> <li>Cherry</li> <li>Mahogany</li> <li>Douglas Fir</li> </ul>
<b>SIZE</b>	<ul style="list-style-type: none"> <li>Width Call Out Panel Width 3-0, 4-0, 5-0</li> <li>Height Call Out Height 6-8, 6-10, 7-2, 8-0, 8-2, 9-0, 9-2</li> </ul>	<ul style="list-style-type: none"> <li>Two Panel Doors: Any jamb width: 55-3/16" to 117-3/16"</li> <li>Three Panel Doors: Any jamb width: 79-5/16" to 172-5/16"</li> <li>Four Panel Doors: Any jamb width: 103-1/2" to 227-1/2"</li> <li>Five Panel Doors: Any jamb width: 127-5/8" to 282-5/8"</li> <li>Six Panel Doors: Any jamb width: 157-3/8" to 343-3/8"</li> <li>Eight Panel Doors: Any jamb width: 205-11/16" to 453-11/16"</li> <li>Ten Panel Doors: Any jamb width: 254" to 564"</li> <li>Multi-Slide Doors (1-3/4" panel): Any jamb height: 79-1/8" to 109-9/16"</li> <li>Multi-Slide Doors (2-1/4" panel): Any jamb height: 79-1/8" to 119-9/16"</li> </ul>
<b>GLAZING</b>	<ul style="list-style-type: none"> <li>Low-E Insulating Glass</li> <li>Tempered Glass</li> </ul>	<ul style="list-style-type: none"> <li>Clear IG</li> <li>Low-E 240</li> <li>Zo-e-shield 5</li> <li>Zo-e-shield Extreme</li> <li>Zo-e Shield 6 (laminated)</li> <li>Grey or Bronze Tint</li> <li>Obscure</li> </ul>
<b>GRILLES</b>		<ul style="list-style-type: none"> <li>GBG: 5/8" Flat or 11/16" Sculptured</li> <li>SDL: 5/8", 7/8", 1-1/8", 2"</li> </ul>
<b>HARDWARE</b>	<ul style="list-style-type: none"> <li>2 point lock</li> <li>Flush Handle set</li> <li>Keyed Random locks</li> <li>Standard rollers</li> </ul>	<ul style="list-style-type: none"> <li>Automated operator</li> </ul>
<b>HARDWARE COLOR</b>	<ul style="list-style-type: none"> <li>Oil Rubbed Bronze PVD</li> </ul>	<ul style="list-style-type: none"> <li>Satin Nickel PVD</li> <li>Black</li> </ul>
<b>SILL</b>	<ul style="list-style-type: none"> <li>Standard</li> </ul>	<ul style="list-style-type: none"> <li>1-1/2" Sill Riser</li> </ul>
<b>SCREEN</b>	<ul style="list-style-type: none"> <li>No screen</li> </ul>	<ul style="list-style-type: none"> <li>Retractable screen</li> <li>Retractable Shade</li> <li>Retractable Screen &amp; Shade</li> </ul>
<b>SCREEN COLOR</b>	<ul style="list-style-type: none"> <li>Bronze</li> </ul>	<ul style="list-style-type: none"> <li>White</li> <li>Clear Anodized</li> <li>Wood Wrapped</li> </ul>

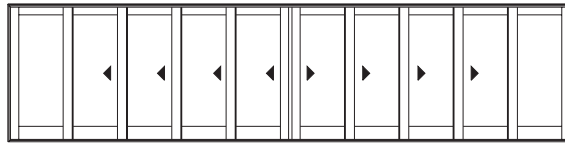
# PREMIUM SERIES MULTI-SLIDE DOORS (8719/8721)

## Panel Configurations

CUSTOM HEIGHTS  
MINIMUM 6'-7 1/16"  
MAXIMUM 9'-1 9/16" (1-3/4" panel)  
MAXIMUM 9'-11-9/16" (2-1/4" panel)



2 TO 10  
PANELS



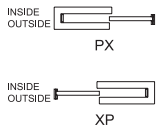
### CUSTOM WIDTHS

NUMBER OF PANELS	MINIMUM JAMB WIDTH	MAXIMUM JAMB WIDTH
2	4'-7 3/16"	9'-9 3/16"
3	6'-7 5/16"	14'-4 5/16"
4	8'-7 1/2"	18'-11 1/2"
5	10'-7 5/8"	23'-6 5/8"
6	13'-1 3/8"	28'-7 3/8"
8	17'-1 11/16"	37'-9 11/16"
10	21'-2"	47'-0"

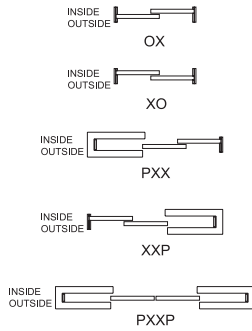
Sizes are for non-pocket doors

## PANEL CONFIGURATIONS

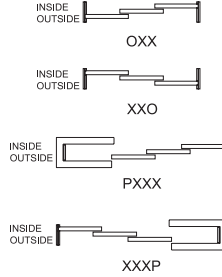
### 1 PANEL



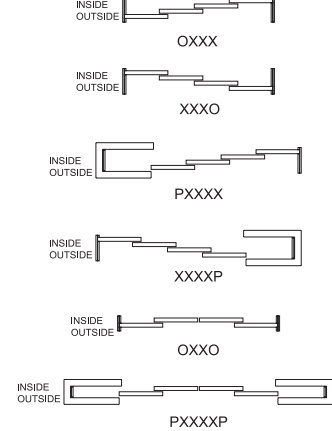
### 2 PANEL



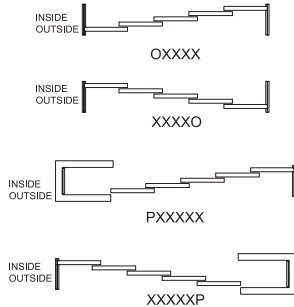
### 3 PANEL



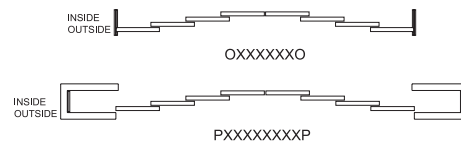
### 4 PANEL



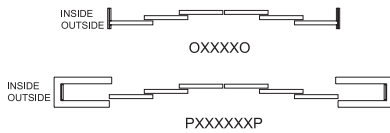
### 5 PANEL



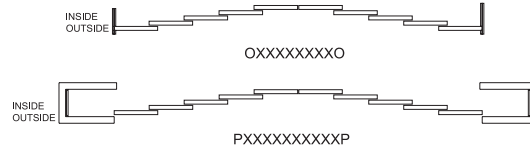
### 8 PANEL



### 6 PANEL



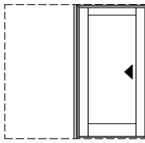
### 10 PANEL





# PREMIUM SERIES 1-PANEL MULTI-SLIDE DOORS (8719/8721)

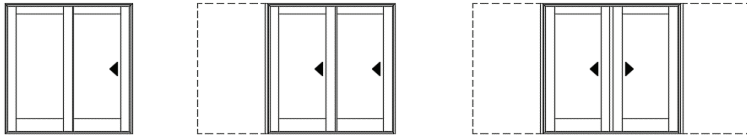
## Size Charts



Premium Series Multi-Slide doors - 1-3/4" Panel (8719) - 2-1/4" Panel (8721)																
Call-out size		Jamb Dimension			Exterior Exposed Jamb Width	Exterior Pocket Width	Rough Opening			Metric R.O. (mm)			Glass Size			
Width	x Height	Width	x	Height			Width	x	Height	Width	x	Height	Width	x	Height	
1 Panel Doors - 1 Pocket	3-0	x 6-8	75 15/16	x	79 1/16	37 15/16	37	76 15/16	x	79 9/16	1954	x	2021	26 7/32	x	64 13/16
	4-0	x 6-8	99 15/16	x	79 1/16	49 15/16	49	100 15/16	x	79 9/16	2564	x	2021	38 7/32	x	64 13/16
	5-0	x 6-8	123 15/16	x	79 1/16	61 15/16	61	124 15/16	x	79 9/16	3173	x	2021	50 7/32	x	64 13/16
	3-0	x 6-10	75 15/16	x	81 9/16	37 15/16	37	76 15/16	x	82 1/16	1954	x	2084	26 7/32	x	67 5/16
	4-0	x 6-10	99 15/16	x	81 9/16	49 15/16	49	100 15/16	x	82 1/16	2564	x	2084	38 7/32	x	67 5/16
	5-0	x 6-10	123 15/16	x	81 9/16	61 15/16	61	124 15/16	x	82 1/16	3173	x	2084	50 7/32	x	67 5/16
	3-0	x 7-2	75 15/16	x	85 9/16	37 15/16	37	76 15/16	x	86 1/16	1954	x	2186	26 7/32	x	71 5/16
	4-0	x 7-2	99 15/16	x	85 9/16	49 15/16	49	100 15/16	x	86 1/16	2564	x	2186	38 7/32	x	71 5/16
	5-0	x 7-2	123 15/16	x	85 9/16	61 15/16	61	124 15/16	x	86 1/16	3173	x	2186	50 7/32	x	71 5/16
	3-0	x 8-0	75 15/16	x	95 9/16	37 15/16	37	76 15/16	x	96 1/16	1954	x	2440	26 7/32	x	81 5/16
	4-0	x 8-0	99 15/16	x	95 9/16	49 15/16	49	100 15/16	x	96 1/16	2564	x	2440	38 7/32	x	81 5/16
	5-0	x 8-0	123 15/16	x	95 9/16	61 15/16	61	124 15/16	x	96 1/16	3173	x	2440	50 7/32	x	81 5/16
	3-0	x 8-2	75 15/16	x	97 9/16	37 15/16	37	76 15/16	x	98 1/16	1954	x	2491	26 7/32	x	83 5/16
	4-0	x 8-2	99 15/16	x	97 9/16	49 15/16	49	100 15/16	x	98 1/16	2564	x	2491	38 7/32	x	83 5/16
	5-0	x 8-2	123 15/16	x	97 9/16	61 15/16	61	124 15/16	x	98 1/16	3173	x	2491	50 7/32	x	83 5/16
	3-0	x 9-0	75 15/16	x	107 9/16	37 15/16	37	76 15/16	x	108 1/16	1954	x	2745	26 7/32	x	93 5/16
	4-0	x 9-0	99 15/16	x	107 9/16	49 15/16	49	100 15/16	x	108 1/16	2564	x	2745	38 7/32	x	93 5/16
	5-0	x 9-0	123 15/16	x	107 9/16	61 15/16	61	124 15/16	x	108 1/16	3173	x	2745	50 7/32	x	93 5/16
	3-0	x 9-2	75 15/16	x	109 9/16	37 15/16	37	76 15/16	x	110 1/16	1954	x	2796	26 7/32	x	95 5/16
	4-0	x 9-2	99 15/16	x	109 9/16	49 15/16	49	100 15/16	x	110 1/16	2564	x	2796	38 7/32	x	95 5/16
5-0	x 9-2	123 15/16	x	109 9/16	61 15/16	61	124 15/16	x	110 1/16	3173	x	2796	50 7/32	x	95 5/16	

# PREMIUM SERIES 2-PANEL MULTI-SLIDE DOORS (8719/8721)

## Size Charts



Premium Series Multi-Slide doors - 1-3/4" Panel (8719) - 2-1/4" Panel (8721)																								
Call-out size	Jamb Dimension			Exterior Exposed Jamb Width	Exterior Pocket Width	Rough Opening			Metric R.O. (mm)			Glass Size												
	Width	x	Height			Width	x	Height	Width	x	Height	Width	x	Height										
2 Panel Doors - No Pocket	3-0	x	6-8	69	3/16	x	79	1/16			70	3/16	x	79	9/16	1783	x	2021	26	7/32	x	64	13/16	
	4-0	x	6-8	93	3/16	x	79	1/16			94	3/16	x	79	9/16	2392	x	2021	38	7/32	x	64	13/16	
	5-0	x	6-8	117	3/16	x	79	1/16			118	3/16	x	79	9/16	3002	x	2021	50	7/32	x	64	13/16	
	3-0	x	6-10	69	3/16	x	81	9/16			70	3/16	x	82	1/16	1783	x	2084	26	7/32	x	67	5/16	
	4-0	x	6-10	93	3/16	x	81	9/16			94	3/16	x	82	1/16	2392	x	2084	38	7/32	x	67	5/16	
	5-0	x	6-10	117	3/16	x	81	9/16			118	3/16	x	82	1/16	3002	x	2084	50	7/32	x	67	5/16	
	3-0	x	7-2	69	3/16	x	85	9/16			70	3/16	x	86	1/16	1783	x	2186	26	7/32	x	71	5/16	
	4-0	x	7-2	93	3/16	x	85	9/16			94	3/16	x	86	1/16	2392	x	2186	38	7/32	x	71	5/16	
	5-0	x	7-2	117	3/16	x	85	9/16			118	3/16	x	86	1/16	3002	x	2186	50	7/32	x	71	5/16	
	3-0	x	8-0	69	3/16	x	95	9/16			70	3/16	x	96	1/16	1783	x	2440	26	7/32	x	81	5/16	
	4-0	x	8-0	93	3/16	x	95	9/16			94	3/16	x	96	1/16	2392	x	2440	38	7/32	x	81	5/16	
	5-0	x	8-0	117	3/16	x	95	9/16			118	3/16	x	96	1/16	3002	x	2440	50	7/32	x	81	5/16	
	3-0	x	8-2	69	3/16	x	97	9/16			70	3/16	x	98	1/16	1783	x	2491	26	7/32	x	83	5/16	
	4-0	x	8-2	93	3/16	x	97	9/16			94	3/16	x	98	1/16	2392	x	2491	38	7/32	x	83	5/16	
	5-0	x	8-2	117	3/16	x	97	9/16			118	3/16	x	98	1/16	3002	x	2491	50	7/32	x	83	5/16	
	3-0	x	9-0	69	3/16	x	107	9/16			70	3/16	x	108	1/16	1783	x	2745	26	7/32	x	93	5/16	
	4-0	x	9-0	93	3/16	x	107	9/16			94	3/16	x	108	1/16	2392	x	2745	38	7/32	x	93	5/16	
	5-0	x	9-0	117	3/16	x	107	9/16			118	3/16	x	108	1/16	3002	x	2745	50	7/32	x	93	5/16	
	3-0	x	9-2	69	3/16	x	109	9/16			70	3/16	x	110	1/16	1783	x	2796	26	7/32	x	95	5/16	
	4-0	x	9-2	93	3/16	x	109	9/16			94	3/16	x	110	1/16	2392	x	2796	38	7/32	x	95	5/16	
5-0	x	9-2	117	3/16	x	109	9/16			118	3/16	x	110	1/16	3002	x	2796	50	7/32	x	95	5/16		
2 Panel Doors - 1 Pocket	3-0	x	6-8	107	3/32	x	79	1/16	69	3/32	37	108	3/32	x	79	9/16	2746	x	2021	26	7/32	x	64	13/16
	4-0	x	6-8	143	3/32	x	79	1/16	93	3/32	49	144	3/32	x	79	9/16	3660	x	2021	38	7/32	x	64	13/16
	5-0	x	6-8	179	3/32	x	79	1/16	117	3/32	61	180	3/32	x	79	9/16	4574	x	2021	50	7/32	x	64	13/16
	3-0	x	6-10	107	3/32	x	81	9/16	69	3/32	37	108	3/32	x	82	1/16	2746	x	2084	26	7/32	x	67	5/16
	4-0	x	6-10	143	3/32	x	81	9/16	93	3/32	49	144	3/32	x	82	1/16	3660	x	2084	38	7/32	x	67	5/16
	5-0	x	6-10	179	3/32	x	81	9/16	117	3/32	61	180	3/32	x	82	1/16	4574	x	2084	50	7/32	x	67	5/16
	3-0	x	7-2	107	3/32	x	85	9/16	69	3/32	37	108	3/32	x	86	1/16	2746	x	2186	26	7/32	x	71	5/16
	4-0	x	7-2	143	3/32	x	85	9/16	93	3/32	49	144	3/32	x	86	1/16	3660	x	2186	38	7/32	x	71	5/16
	5-0	x	7-2	179	3/32	x	85	9/16	117	3/32	61	180	3/32	x	86	1/16	4574	x	2186	50	7/32	x	71	5/16
	3-0	x	8-0	107	3/32	x	95	9/16	69	3/32	37	108	3/32	x	96	1/16	2746	x	2440	26	7/32	x	81	5/16
	4-0	x	8-0	143	3/32	x	95	9/16	93	3/32	49	144	3/32	x	96	1/16	3660	x	2440	38	7/32	x	81	5/16
	5-0	x	8-0	179	3/32	x	95	9/16	117	3/32	61	180	3/32	x	96	1/16	4574	x	2440	50	7/32	x	81	5/16
	3-0	x	8-2	107	3/32	x	97	9/16	69	3/32	37	108	3/32	x	98	1/16	2746	x	2491	26	7/32	x	83	5/16
	4-0	x	8-2	143	3/32	x	97	9/16	93	3/32	49	144	3/32	x	98	1/16	3660	x	2491	38	7/32	x	83	5/16
	5-0	x	8-2	179	3/32	x	97	9/16	117	3/32	61	180	3/32	x	98	1/16	4574	x	2491	50	7/32	x	83	5/16
	3-0	x	9-0	107	3/32	x	107	9/16	69	3/32	37	108	3/32	x	108	1/16	2746	x	2745	26	7/32	x	93	5/16
	4-0	x	9-0	143	3/32	x	107	9/16	93	3/32	49	144	3/32	x	108	1/16	3660	x	2745	38	7/32	x	93	5/16
	5-0	x	9-0	179	3/32	x	107	9/16	117	3/32	61	180	3/32	x	108	1/16	4574	x	2745	50	7/32	x	93	5/16
	3-0	x	9-2	107	3/32	x	109	9/16	69	3/32	37	108	3/32	x	110	1/16	2746	x	2796	26	7/32	x	95	5/16
	4-0	x	9-2	143	3/32	x	109	9/16	93	3/32	49	144	3/32	x	110	1/16	3660	x	2796	38	7/32	x	95	5/16
5-0	x	9-2	179	3/32	x	109	9/16	117	3/32	61	180	3/32	x	110	1/16	4574	x	2796	50	7/32	x	95	5/16	
2 Panel Bi-Parting Doors - 2 Pockets	3-0	x	6-8	150	5/8	x	79	1/16	74	5/16	37	151	5/8	x	79	9/16	3851	x	2021	26	7/32	x	64	13/16
	4-0	x	6-8	198	5/8	x	79	1/16	98	5/16	49	199	5/8	x	79	9/16	5070	x	2021	38	7/32	x	64	13/16
	5-0	x	6-8	246	5/8	x	79	1/16	122	5/16	61	247	5/8	x	79	9/16	6290	x	2021	50	7/32	x	64	13/16
	3-0	x	6-10	150	5/8	x	81	9/16	74	5/16	37	151	5/8	x	82	1/16	3851	x	2084	26	7/32	x	67	5/16
	4-0	x	6-10	198	5/8	x	81	9/16	98	5/16	49	199	5/8	x	82	1/16	5070	x	2084	38	7/32	x	67	5/16
	5-0	x	6-10	246	5/8	x	81	9/16	122	5/16	61	247	5/8	x	82	1/16	6290	x	2084	50	7/32	x	67	5/16
	3-0	x	7-2	150	5/8	x	85	9/16	74	5/16	37	151	5/8	x	86	1/16	3851	x	2186	26	7/32	x	71	5/16
	4-0	x	7-2	198	5/8	x	85	9/16	98	5/16	49	199	5/8	x	86	1/16	5070	x	2186	38	7/32	x	71	5/16
	5-0	x	7-2	246	5/8	x	85	9/16	122	5/16	61	247	5/8	x	86	1/16	6290	x	2186	50	7/32	x	71	5/16
	3-0	x	8-0	150	5/8	x	95	9/16	74	5/16	37	151	5/8	x	96	1/16	3851	x	2440	26	7/32	x	81	5/16
	4-0	x	8-0	198	5/8	x	95	9/16	98	5/16	49	199	5/8	x	96	1/16	5070	x	2440	38	7/32	x	81	5/16
	5-0	x	8-0	246	5/8	x	95	9/16	122	5/16	61	247	5/8	x	96	1/16	6290	x	2440	50	7/32	x	81	5/16
	3-0	x	8-2	150	5/8	x	97	9/16	74	5/16	37	151	5/8	x	98	1/16	3851	x	2491	26	7/32	x	83	5/16
	4-0	x	8-2	198	5/8	x	97	9/16	98	5/16	49	199	5/8	x	98	1/16	5070	x	2491	38	7/32	x	83	5/16
	5-0	x	8-2	246	5/8	x	97	9/16	122	5/16	61	247	5/8	x	98	1/16	6290	x	2491	50	7/32	x	83	5/16
	3-0	x	9-0	150	5/8	x	107	9/16	74	5/16	37	151	5/8	x	108	1/16	3851	x	2745	26	7/32	x	93	

# PREMIUM SERIES 3-PANEL MULTI-SLIDE DOORS (8719/8721)

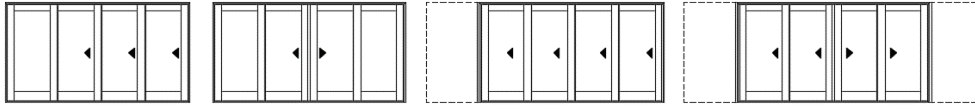
## Size Charts



Premium Series Multi-Slide doors - 1-3/4" Panel (8719) - 2-1/4" Panel (8721)																								
Call-out size	Jamb Dimension			Exterior Exposed Jamb Width	Exterior Pocket Width	Rough Opening			Metric R.O. (mm)			Glass Size												
	Width	x	Height			Width	x	Height	Width	x	Height	Width	x	Height										
3 Panel Doors - No Pocket	3-0	x	6-8	101	5/16	x	79	1/16			102	5/16	x	79	9/16	2599	x	2021	26	7/32	x	64	13/16	
	4-0	x	6-8	137	5/16	x	79	1/16			138	5/16	x	79	9/16	3513	x	2021	38	7/32	x	64	13/16	
	5-0	x	6-8	173	5/16	x	79	1/16			174	5/16	x	79	9/16	4428	x	2021	50	7/32	x	64	13/16	
	3-0	x	6-10	101	5/16	x	81	9/16			102	5/16	x	82	1/16	2599	x	2084	26	7/32	x	67	5/16	
	4-0	x	6-10	137	5/16	x	81	9/16			138	5/16	x	82	1/16	3513	x	2084	38	7/32	x	67	5/16	
	5-0	x	6-10	173	5/16	x	81	9/16			174	5/16	x	82	1/16	4428	x	2084	50	7/32	x	67	5/16	
	3-0	x	7-2	101	5/16	x	85	9/16			102	5/16	x	86	1/16	2599	x	2186	26	7/32	x	71	5/16	
	4-0	x	7-2	137	5/16	x	85	9/16			138	5/16	x	86	1/16	3513	x	2186	38	7/32	x	71	5/16	
	5-0	x	7-2	173	5/16	x	85	9/16			174	5/16	x	86	1/16	4428	x	2186	50	7/32	x	71	5/16	
	3-0	x	8-0	101	5/16	x	95	9/16			102	5/16	x	96	1/16	2599	x	2440	26	7/32	x	81	5/16	
	4-0	x	8-0	137	5/16	x	95	9/16			138	5/16	x	96	1/16	3513	x	2440	38	7/32	x	81	5/16	
	5-0	x	8-0	173	5/16	x	95	9/16			174	5/16	x	96	1/16	4428	x	2440	50	7/32	x	81	5/16	
	3-0	x	8-2	101	5/16	x	97	9/16			102	5/16	x	98	1/16	2599	x	2491	26	7/32	x	83	5/16	
	4-0	x	8-2	137	5/16	x	97	9/16			138	5/16	x	98	1/16	3513	x	2491	38	7/32	x	83	5/16	
	5-0	x	8-2	173	5/16	x	97	9/16			174	5/16	x	98	1/16	4428	x	2491	50	7/32	x	83	5/16	
	3-0	x	9-0	101	5/16	x	107	9/16			102	5/16	x	108	1/16	2599	x	2745	26	7/32	x	93	5/16	
	4-0	x	9-0	137	5/16	x	107	9/16			138	5/16	x	108	1/16	3513	x	2745	38	7/32	x	93	5/16	
	5-0	x	9-0	173	5/16	x	107	9/16			174	5/16	x	108	1/16	4428	x	2745	50	7/32	x	93	5/16	
	3-0	x	9-2	101	5/16	x	109	9/16			102	5/16	x	110	1/16	2599	x	2796	26	7/32	x	95	5/16	
	4-0	x	9-2	137	5/16	x	109	9/16			138	5/16	x	110	1/16	3513	x	2796	38	7/32	x	95	5/16	
5-0	x	9-2	173	5/16	x	109	9/16			174	5/16	x	110	1/16	4428	x	2796	50	7/32	x	95	5/16		
3 Panel Doors - 1 Pocket	3-0	x	6-8	138	1/4	x	79	1/16	100	1/4	37	139	1/4	x	79	9/16	3537	x	2021	26	7/32	x	64	13/16
	4-0	x	6-8	186	1/4	x	79	1/16	136	1/4	49	187	1/4	x	79	9/16	4756	x	2021	38	7/32	x	64	13/16
	5-0	x	6-8	234	1/4	x	79	1/16	172	1/4	61	235	1/4	x	79	9/16	5975	x	2021	50	7/32	x	64	13/16
	3-0	x	6-10	138	1/4	x	81	9/16	100	1/4	37	139	1/4	x	82	1/16	3537	x	2084	26	7/32	x	67	5/16
	4-0	x	6-10	186	1/4	x	81	9/16	136	1/4	49	187	1/4	x	82	1/16	4756	x	2084	38	7/32	x	67	5/16
	5-0	x	6-10	234	1/4	x	81	9/16	172	1/4	61	235	1/4	x	82	1/16	5975	x	2084	50	7/32	x	67	5/16
	3-0	x	7-2	138	1/4	x	85	9/16	100	1/4	37	139	1/4	x	86	1/16	3537	x	2186	26	7/32	x	71	5/16
	4-0	x	7-2	186	1/4	x	85	9/16	136	1/4	49	187	1/4	x	86	1/16	4756	x	2186	38	7/32	x	71	5/16
	5-0	x	7-2	234	1/4	x	85	9/16	172	1/4	61	235	1/4	x	86	1/16	5975	x	2186	50	7/32	x	71	5/16
	3-0	x	8-0	138	1/4	x	95	9/16	100	1/4	37	139	1/4	x	96	1/16	3537	x	2440	26	7/32	x	81	5/16
	4-0	x	8-0	186	1/4	x	95	9/16	136	1/4	49	187	1/4	x	96	1/16	4756	x	2440	38	7/32	x	81	5/16
	5-0	x	8-0	234	1/4	x	95	9/16	172	1/4	61	235	1/4	x	96	1/16	5975	x	2440	50	7/32	x	81	5/16
	3-0	x	8-2	138	1/4	x	97	9/16	100	1/4	37	139	1/4	x	98	1/16	3537	x	2491	26	7/32	x	83	5/16
	4-0	x	8-2	186	1/4	x	97	9/16	136	1/4	49	187	1/4	x	98	1/16	4756	x	2491	38	7/32	x	83	5/16
	5-0	x	8-2	234	1/4	x	97	9/16	172	1/4	61	235	1/4	x	98	1/16	5975	x	2491	50	7/32	x	83	5/16
	3-0	x	9-0	138	1/4	x	107	9/16	100	1/4	37	139	1/4	x	108	1/16	3537	x	2745	26	7/32	x	93	5/16
	4-0	x	9-0	186	1/4	x	107	9/16	136	1/4	49	187	1/4	x	108	1/16	4756	x	2745	38	7/32	x	93	5/16
	5-0	x	9-0	234	1/4	x	107	9/16	172	1/4	61	235	1/4	x	108	1/16	5975	x	2745	50	7/32	x	93	5/16
	3-0	x	9-2	138	1/4	x	109	9/16	100	1/4	37	139	1/4	x	110	1/16	3537	x	2796	26	7/32	x	95	5/16
	4-0	x	9-2	186	1/4	x	109	9/16	136	1/4	49	187	1/4	x	110	1/16	4756	x	2796	38	7/32	x	95	5/16
5-0	x	9-2	234	1/4	x	109	9/16	172	1/4	61	235	1/4	x	110	1/16	5975	x	2796	50	7/32	x	95	5/16	

# PREMIUM SERIES 4-PANEL MULTI-SLIDE DOORS (8719/8721)

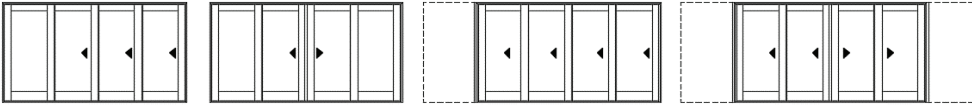
## Size Charts



Premium Series Multi-Slide doors - 1-3/4" Panel (8719) - 2-1/4" Panel (8721)																							
Call-out size	Jamb Dimension			Exterior Exposed Jamb Width	Exterior Pocket Width	Rough Opening			Metric R.O. (mm)			Glass Size											
	Width	x	Height			Width	x	Height	Width	x	Height	Width	x	Height									
4 Panel Doors - No Pocket	3-0	x	6-8	131	1/2	x	79	1/16			132	1/2	x	79	9/16	3366	x	2021	26	7/32	x	64	13/16
	4-0	x	6-8	179	1/2	x	79	1/16			180	1/2	x	79	9/16	4585	x	2021	38	7/32	x	64	13/16
	5-0	x	6-8	227	1/2	x	79	1/16			228	1/2	x	79	9/16	5804	x	2021	50	7/32	x	64	13/16
	3-0	x	6-10	131	1/2	x	81	9/16			132	1/2	x	82	1/16	3366	x	2084	26	7/32	x	67	5/16
	4-0	x	6-10	179	1/2	x	81	9/16			180	1/2	x	82	1/16	4585	x	2084	38	7/32	x	67	5/16
	5-0	x	6-10	227	1/2	x	81	9/16			228	1/2	x	82	1/16	5804	x	2084	50	7/32	x	67	5/16
	3-0	x	7-2	131	1/2	x	85	9/16			132	1/2	x	86	1/16	3366	x	2186	26	7/32	x	71	5/16
	4-0	x	7-2	179	1/2	x	85	9/16			180	1/2	x	86	1/16	4585	x	2186	38	7/32	x	71	5/16
	5-0	x	7-2	227	1/2	x	85	9/16			228	1/2	x	86	1/16	5804	x	2186	50	7/32	x	71	5/16
	3-0	x	8-0	131	1/2	x	95	9/16			132	1/2	x	96	1/16	3366	x	2440	26	7/32	x	81	5/16
	4-0	x	8-0	179	1/2	x	95	9/16			180	1/2	x	96	1/16	4585	x	2440	38	7/32	x	81	5/16
	5-0	x	8-0	227	1/2	x	95	9/16			228	1/2	x	96	1/16	5804	x	2440	50	7/32	x	81	5/16
	3-0	x	8-2	131	1/2	x	97	9/16			132	1/2	x	98	1/16	3366	x	2491	26	7/32	x	83	5/16
	4-0	x	8-2	179	1/2	x	97	9/16			180	1/2	x	98	1/16	4585	x	2491	38	7/32	x	83	5/16
	5-0	x	8-2	227	1/2	x	97	9/16			228	1/2	x	98	1/16	5804	x	2491	50	7/32	x	83	5/16
	3-0	x	9-0	131	1/2	x	107	9/16			132	1/2	x	108	1/16	3366	x	2745	26	7/32	x	93	5/16
	4-0	x	9-0	179	1/2	x	107	9/16			180	1/2	x	108	1/16	4585	x	2745	38	7/32	x	93	5/16
	5-0	x	9-0	227	1/2	x	107	9/16			228	1/2	x	108	1/16	5804	x	2745	50	7/32	x	93	5/16
	3-0	x	9-2	131	1/2	x	109	9/16			132	1/2	x	110	1/16	3366	x	2796	26	7/32	x	95	5/16
	4-0	x	9-2	179	1/2	x	109	9/16			180	1/2	x	110	1/16	4585	x	2796	38	7/32	x	95	5/16
5-0	x	9-2	227	1/2	x	109	9/16			228	1/2	x	110	1/16	5804	x	2796	50	7/32	x	95	5/16	
4 Bi-Parting Panel Doors - No Pocket	3-0	x	6-8	137	1/16	x	79	1/16			138	1/16	x	79	9/16	3507	x	2021	26	7/32	x	64	13/16
	4-0	x	6-8	185	1/16	x	79	1/16			186	1/16	x	79	9/16	4726	x	2021	38	7/32	x	64	13/16
	5-0	x	6-8	233	1/16	x	79	1/16			234	1/16	x	79	9/16	5945	x	2021	50	7/32	x	64	13/16
	3-0	x	6-10	137	1/16	x	81	9/16			138	1/16	x	82	1/16	3507	x	2084	26	7/32	x	67	5/16
	4-0	x	6-10	185	1/16	x	81	9/16			186	1/16	x	82	1/16	4726	x	2084	38	7/32	x	67	5/16
	5-0	x	6-10	233	1/16	x	81	9/16			234	1/16	x	82	1/16	5945	x	2084	50	7/32	x	67	5/16
	3-0	x	7-2	137	1/16	x	85	9/16			138	1/16	x	86	1/16	3507	x	2186	26	7/32	x	71	5/16
	4-0	x	7-2	185	1/16	x	85	9/16			186	1/16	x	86	1/16	4726	x	2186	38	7/32	x	71	5/16
	5-0	x	7-2	233	1/16	x	85	9/16			234	1/16	x	86	1/16	5945	x	2186	50	7/32	x	71	5/16
	3-0	x	8-0	137	1/16	x	95	9/16			138	1/16	x	96	1/16	3507	x	2440	26	7/32	x	81	5/16
	4-0	x	8-0	185	1/16	x	95	9/16			186	1/16	x	96	1/16	4726	x	2440	38	7/32	x	81	5/16
	5-0	x	8-0	233	1/16	x	95	9/16			234	1/16	x	96	1/16	5945	x	2440	50	7/32	x	81	5/16
	3-0	x	8-2	137	1/16	x	97	9/16			138	1/16	x	98	1/16	3507	x	2491	26	7/32	x	83	5/16
	4-0	x	8-2	185	1/16	x	97	9/16			186	1/16	x	98	1/16	4726	x	2491	38	7/32	x	83	5/16
	5-0	x	8-2	233	1/16	x	97	9/16			234	1/16	x	98	1/16	5945	x	2491	50	7/32	x	83	5/16
	3-0	x	9-0	137	1/16	x	107	9/16			138	1/16	x	108	1/16	3507	x	2745	26	7/32	x	93	5/16
	4-0	x	9-0	185	1/16	x	107	9/16			186	1/16	x	108	1/16	4726	x	2745	38	7/32	x	93	5/16
	5-0	x	9-0	233	1/16	x	107	9/16			234	1/16	x	108	1/16	5945	x	2745	50	7/32	x	93	5/16
	3-0	x	9-2	137	1/16	x	109	9/16			138	1/16	x	110	1/16	3507	x	2796	26	7/32	x	95	5/16
	4-0	x	9-2	185	1/16	x	109	9/16			186	1/16	x	110	1/16	4726	x	2796	38	7/32	x	95	5/16
5-0	x	9-2	233	1/16	x	109	9/16			234	1/16	x	110	1/16	5945	x	2796	50	7/32	x	95	5/16	

# PREMIUM SERIES 4-PANEL MULTI-SLIDE DOORS (8719/8721)

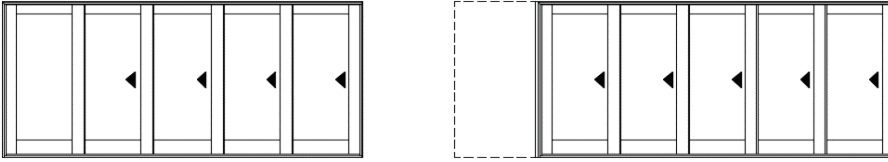
## Size Charts



Premium Series Multi-Slide doors - 1-3/4" Panel (8719) - 2-1/4" Panel (8721)																		
Call-out size	Jamb Dimension			Exterior Exposed Jamb Width	Exterior Pocket Width	Rough Opening			Metric R.O. (mm)			Glass Size						
	Width	x	Height			Width	x	Height	Width	x	Height	Width	x	Height				
4 Panel Doors - 1 Pocket	3-0	x	6-8	169 13/32	x	79 1/16	131 13/32	37	170 13/32	x	79 9/16	4328	x	2021	26 7/32	x	64 13/16	
	4-0	x	6-8	229 13/32	x	79 1/16	179 13/32	49	230 13/32	x	79 9/16	5852	x	2021	38 7/32	x	64 13/16	
	3-0	x	6-10	169 13/32	x	81 9/16	131 13/32	37	170 13/32	x	82 1/16	4328	x	2084	26 7/32	x	67 5/16	
	4-0	x	6-10	229 13/32	x	81 9/16	179 13/32	49	230 13/32	x	82 1/16	5852	x	2084	38 7/32	x	67 5/16	
	3-0	x	7-2	169 13/32	x	85 9/16	131 13/32	37	170 13/32	x	86 1/16	4328	x	2186	26 7/32	x	71 5/16	
	4-0	x	7-2	229 13/32	x	85 9/16	179 13/32	49	230 13/32	x	86 1/16	5852	x	2186	38 7/32	x	71 5/16	
	3-0	x	8-0	169 13/32	x	95 9/16	131 13/32	37	170 13/32	x	96 1/16	4328	x	2440	26 7/32	x	81 5/16	
	4-0	x	8-0	229 13/32	x	95 9/16	179 13/32	49	230 13/32	x	96 1/16	5852	x	2440	38 7/32	x	81 5/16	
	3-0	x	8-2	169 13/32	x	97 9/16	131 13/32	37	170 13/32	x	98 1/16	4328	x	2491	26 7/32	x	83 5/16	
	4-0	x	8-2	229 13/32	x	97 9/16	179 13/32	49	230 13/32	x	98 1/16	5852	x	2491	38 7/32	x	83 5/16	
	3-0	x	9-0	169 13/32	x	107 9/16	131 13/32	37	170 13/32	x	108 1/16	4328	x	2745	26 7/32	x	93 5/16	
	4-0	x	9-0	229 13/32	x	107 9/16	179 13/32	49	230 13/32	x	108 1/16	5852	x	2745	38 7/32	x	93 5/16	
	3-0	x	9-2	169 13/32	x	109 9/16	131 13/32	37	170 13/32	x	110 1/16	4328	x	2796	26 7/32	x	95 5/16	
	4-0	x	9-2	229 13/32	x	109 9/16	179 13/32	49	230 13/32	x	110 1/16	5852	x	2796	38 7/32	x	95 5/16	
	4 Bi-Parting Panel Doors - 2 Pockets	3-0	x	6-8	212 15/16	x	79 1/16	136 15/16	37	213 15/16	x	79 9/16	5434	x	2021	26 7/32	x	64 13/16
		4-0	x	6-8	284 15/16	x	79 1/16	184 15/16	49	285 15/16	x	79 9/16	7263	x	2021	38 7/32	x	64 13/16
5-0		x	6-8	356 15/16	x	79 1/16	232 15/16	61	357 15/16	x	79 9/16	9092	x	2021	50 7/32	x	64 13/16	
3-0		x	6-10	212 15/16	x	81 9/16	136 15/16	37	213 15/16	x	82 1/16	5434	x	2084	26 7/32	x	67 5/16	
4-0		x	6-10	284 15/16	x	81 9/16	184 15/16	49	285 15/16	x	82 1/16	7263	x	2084	38 7/32	x	67 5/16	
5-0		x	6-10	356 15/16	x	81 9/16	232 15/16	61	357 15/16	x	82 1/16	9092	x	2084	50 7/32	x	67 5/16	
3-0		x	7-2	212 15/16	x	85 9/16	136 15/16	37	213 15/16	x	86 1/16	5434	x	2186	26 7/32	x	71 5/16	
4-0		x	7-2	284 15/16	x	85 9/16	184 15/16	49	285 15/16	x	86 1/16	7263	x	2186	38 7/32	x	71 5/16	
5-0		x	7-2	356 15/16	x	85 9/16	232 15/16	61	357 15/16	x	86 1/16	9092	x	2186	50 7/32	x	71 5/16	
3-0		x	8-0	212 15/16	x	95 9/16	136 15/16	37	213 15/16	x	96 1/16	5434	x	2440	26 7/32	x	81 5/16	
4-0		x	8-0	284 15/16	x	95 9/16	184 15/16	49	285 15/16	x	96 1/16	7263	x	2440	38 7/32	x	81 5/16	
5-0		x	8-0	356 15/16	x	95 9/16	232 15/16	61	357 15/16	x	96 1/16	9092	x	2440	50 7/32	x	81 5/16	
3-0		x	8-2	212 15/16	x	97 9/16	136 15/16	37	213 15/16	x	98 1/16	5434	x	2491	26 7/32	x	83 5/16	
4-0		x	8-2	284 15/16	x	97 9/16	184 15/16	49	285 15/16	x	98 1/16	7263	x	2491	38 7/32	x	83 5/16	
5-0		x	8-2	356 15/16	x	97 9/16	232 15/16	61	357 15/16	x	98 1/16	9092	x	2491	50 7/32	x	83 5/16	
3-0		x	9-0	212 15/16	x	107 9/16	136 15/16	37	213 15/16	x	108 1/16	5434	x	2745	26 7/32	x	93 5/16	
4-0	x	9-0	284 15/16	x	107 9/16	184 15/16	49	285 15/16	x	108 1/16	7263	x	2745	38 7/32	x	93 5/16		
5-0	x	9-0	356 15/16	x	107 9/16	232 15/16	61	357 15/16	x	108 1/16	9092	x	2745	50 7/32	x	93 5/16		
3-0	x	9-2	212 15/16	x	109 9/16	136 15/16	37	213 15/16	x	110 1/16	5434	x	2796	26 7/32	x	95 5/16		
4-0	x	9-2	284 15/16	x	109 9/16	184 15/16	49	285 15/16	x	110 1/16	7263	x	2796	38 7/32	x	95 5/16		
5-0	x	9-2	356 15/16	x	109 9/16	232 15/16	61	357 15/16	x	110 1/16	9092	x	2796	50 7/32	x	95 5/16		

# PREMIUM SERIES 5-PANEL MULTI-SLIDE DOORS (8719/8721)

## Size Charts

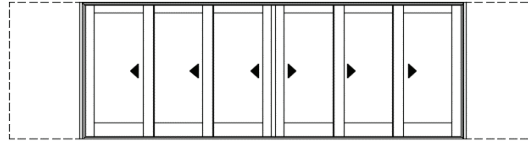
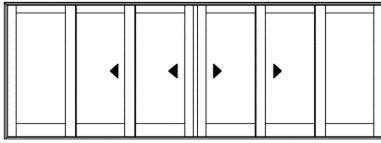


Premium Series Multi-Slide doors - 1-3/4" Panel (8719) - 2-1/4" Panel (8721)																								
Call-out size	Jamb Dimension			Exterior Exposed Jamb Width	Exterior Pocket Width	Rough Opening			Metric R.O. (mm)			Glass Size												
	Width	x	Height			Width	x	Height	Width	x	Height	Width	x	Height										
5 Panel Doors - No Pocket	3-0	x	6-8	162	5/8	x	79	1/16			163	5/8	x	79	9/16	4156	x	2021	26	7/32	x	64	13/16	
	4-0	x	6-8	222	5/8	x	79	1/16			223	5/8	x	79	9/16	5680	x	2021	38	7/32	x	64	13/16	
	5-0	x	6-8	282	5/8	x	79	1/16			283	5/8	x	79	9/16	7204	x	2021	50	7/32	x	64	13/16	
	3-0	x	6-10	162	5/8	x	81	9/16			163	5/8	x	82	1/16	4156	x	2084	26	7/32	x	67	5/16	
	4-0	x	6-10	222	5/8	x	81	9/16			223	5/8	x	82	1/16	5680	x	2084	38	7/32	x	67	5/16	
	5-0	x	6-10	282	5/8	x	81	9/16			283	5/8	x	82	1/16	7204	x	2084	50	7/32	x	67	5/16	
	3-0	x	7-2	162	5/8	x	85	9/16			163	5/8	x	86	1/16	4156	x	2186	26	7/32	x	71	5/16	
	4-0	x	7-2	222	5/8	x	85	9/16			223	5/8	x	86	1/16	5680	x	2186	38	7/32	x	71	5/16	
	5-0	x	7-2	282	5/8	x	85	9/16			283	5/8	x	86	1/16	7204	x	2186	50	7/32	x	71	5/16	
	3-0	x	8-0	162	5/8	x	95	9/16			163	5/8	x	96	1/16	4156	x	2440	26	7/32	x	81	5/16	
	4-0	x	8-0	222	5/8	x	95	9/16			223	5/8	x	96	1/16	5680	x	2440	38	7/32	x	81	5/16	
	5-0	x	8-0	282	5/8	x	95	9/16			283	5/8	x	96	1/16	7204	x	2440	50	7/32	x	81	5/16	
	3-0	x	8-2	162	5/8	x	97	9/16			163	5/8	x	98	1/16	4156	x	2491	26	7/32	x	83	5/16	
	4-0	x	8-2	222	5/8	x	97	9/16			223	5/8	x	98	1/16	5680	x	2491	38	7/32	x	83	5/16	
	5-0	x	8-2	282	5/8	x	97	9/16			283	5/8	x	98	1/16	7204	x	2491	50	7/32	x	83	5/16	
	3-0	x	9-0	162	5/8	x	107	9/16			163	5/8	x	108	1/16	4156	x	2745	26	7/32	x	93	5/16	
	4-0	x	9-0	222	5/8	x	107	9/16			223	5/8	x	108	1/16	5680	x	2745	38	7/32	x	93	5/16	
	5-0	x	9-0	282	5/8	x	107	9/16			283	5/8	x	108	1/16	7204	x	2745	50	7/32	x	93	5/16	
	3-0	x	9-2	162	5/8	x	109	9/16			163	5/8	x	110	1/16	4156	x	2796	26	7/32	x	95	5/16	
	4-0	x	9-2	222	5/8	x	109	9/16			223	5/8	x	110	1/16	5680	x	2796	38	7/32	x	95	5/16	
5-0	x	9-2	282	5/8	x	109	9/16			283	5/8	x	110	1/16	7204	x	2796	50	7/32	x	95	5/16		
5 Panel Doors - 1 Pocket	3-0	x	6-8	200	9/16	x	79	1/16	162	9/16	37	201	9/16	x	79	9/16	5120	x	2021	26	7/32	x	64	13/16
	4-0	x	6-8	272	9/16	x	79	1/16	222	9/16	49	273	9/16	x	79	9/16	6948	x	2021	38	7/32	x	64	13/16
	3-0	x	6-10	200	9/16	x	81	9/16	162	9/16	37	201	9/16	x	82	1/16	5120	x	2084	26	7/32	x	67	5/16
	4-0	x	6-10	272	9/16	x	81	9/16	222	9/16	49	273	9/16	x	82	1/16	6948	x	2084	38	7/32	x	67	5/16
	3-0	x	7-2	200	9/16	x	85	9/16	162	9/16	37	201	9/16	x	86	1/16	5120	x	2186	26	7/32	x	71	5/16
	4-0	x	7-2	272	9/16	x	85	9/16	222	9/16	49	273	9/16	x	86	1/16	6948	x	2186	38	7/32	x	71	5/16
	3-0	x	8-0	200	9/16	x	95	9/16	162	9/16	37	201	9/16	x	96	1/16	5120	x	2440	26	7/32	x	81	5/16
	4-0	x	8-0	272	9/16	x	95	9/16	222	9/16	49	273	9/16	x	96	1/16	6948	x	2440	38	7/32	x	81	5/16
	3-0	x	8-2	200	9/16	x	97	9/16	162	9/16	37	201	9/16	x	98	1/16	5120	x	2491	26	7/32	x	83	5/16
	4-0	x	8-2	272	9/16	x	97	9/16	222	9/16	49	273	9/16	x	98	1/16	6948	x	2491	38	7/32	x	83	5/16
	3-0	x	9-0	200	9/16	x	107	9/16	162	9/16	37	201	9/16	x	108	1/16	5120	x	2745	26	7/32	x	93	5/16
	4-0	x	9-0	272	9/16	x	107	9/16	222	9/16	49	273	9/16	x	108	1/16	6948	x	2745	38	7/32	x	93	5/16
3-0	x	9-2	200	9/16	x	109	9/16	162	9/16	37	201	9/16	x	110	1/16	5120	x	2796	26	7/32	x	95	5/16	
4-0	x	9-2	272	9/16	x	109	9/16	222	9/16	49	273	9/16	x	110	1/16	6948	x	2796	38	7/32	x	95	5/16	



# PREMIUM SERIES 6-PANEL MULTI-SLIDE DOORS (8719/8721)

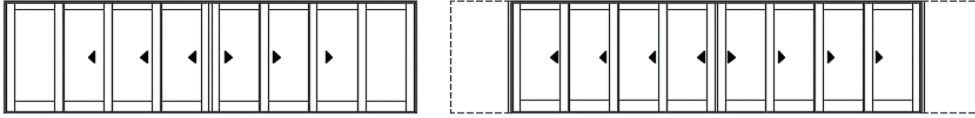
## Size Charts



Premium Series Multi-Slide doors - 1-3/4" Panel (8719) - 2-1/4" Panel (8721)																								
Call-out size	Jamb Dimension			Exterior Exposed Jamb Width	Exterior Pocket Width	Rough Opening			Metric R.O. (mm)			Glass Size												
	Width	x	Height			Width	x	Height	Width	x	Height	Width	x	Height										
6 Bi-Parting Panel Doors - No Pocket	3-0	x	6-8	199	3/8	x	79	1/16			200	3/8	x	79	9/16	5090	x	2021	26	7/32	x	64	13/16	
	4-0	x	6-8	271	3/8	x	79	1/16			272	3/8	x	79	9/16	6918	x	2021	38	7/32	x	64	13/16	
	5-0	x	6-8	343	3/8	x	79	1/16			344	3/8	x	79	9/16	8747	x	2021	50	7/32	x	64	13/16	
	3-0	x	6-10	199	3/8	x	81	9/16			200	3/8	x	82	1/16	5090	x	2084	26	7/32	x	67	5/16	
	4-0	x	6-10	271	3/8	x	81	9/16			272	3/8	x	82	1/16	6918	x	2084	38	7/32	x	67	5/16	
	5-0	x	6-10	343	3/8	x	81	9/16			344	3/8	x	82	1/16	8747	x	2084	50	7/32	x	67	5/16	
	3-0	x	7-2	199	3/8	x	85	9/16			200	3/8	x	86	1/16	5090	x	2186	26	7/32	x	71	5/16	
	4-0	x	7-2	271	3/8	x	85	9/16			272	3/8	x	86	1/16	6918	x	2186	38	7/32	x	71	5/16	
	5-0	x	7-2	343	3/8	x	85	9/16			344	3/8	x	86	1/16	8747	x	2186	50	7/32	x	71	5/16	
	3-0	x	8-0	199	3/8	x	95	9/16			200	3/8	x	96	1/16	5090	x	2440	26	7/32	x	81	5/16	
	4-0	x	8-0	271	3/8	x	95	9/16			272	3/8	x	96	1/16	6918	x	2440	38	7/32	x	81	5/16	
	5-0	x	8-0	343	3/8	x	95	9/16			344	3/8	x	96	1/16	8747	x	2440	50	7/32	x	81	5/16	
	3-0	x	8-2	199	3/8	x	97	9/16			200	3/8	x	98	1/16	5090	x	2491	26	7/32	x	83	5/16	
	4-0	x	8-2	271	3/8	x	97	9/16			272	3/8	x	98	1/16	6918	x	2491	38	7/32	x	83	5/16	
	5-0	x	8-2	343	3/8	x	97	9/16			344	3/8	x	98	1/16	8747	x	2491	50	7/32	x	83	5/16	
	3-0	x	9-0	199	3/8	x	107	9/16			200	3/8	x	108	1/16	5090	x	2745	26	7/32	x	93	5/16	
	4-0	x	9-0	271	3/8	x	107	9/16			272	3/8	x	108	1/16	6918	x	2745	38	7/32	x	93	5/16	
	5-0	x	9-0	343	3/8	x	107	9/16			344	3/8	x	108	1/16	8747	x	2745	50	7/32	x	93	5/16	
	3-0	x	9-2	199	3/8	x	109	9/16			200	3/8	x	110	1/16	5090	x	2796	26	7/32	x	95	5/16	
	4-0	x	9-2	271	3/8	x	109	9/16			272	3/8	x	110	1/16	6918	x	2796	38	7/32	x	95	5/16	
5-0	x	9-2	343	3/8	x	109	9/16			344	3/8	x	110	1/16	8747	x	2796	50	7/32	x	95	5/16		
6 Bi-Parting Panel Doors - 2 Pockets	3-0	x	6-8	275	1/4	x	79	1/16	199	1/4	37	276	1/4	x	79	9/16	7017	x	2021	26	7/32	x	64	13/16
	4-0	x	6-8	371	1/4	x	79	1/16	271	1/4	49	372	1/4	x	79	9/16	9455	x	2021	38	7/32	x	64	13/16
	5-0	x	6-8	467	1/4	x	79	1/16	343	1/4	61	468	1/4	x	79	9/16	11894	x	2021	50	7/32	x	64	13/16
	3-0	x	6-10	275	1/4	x	81	9/16	199	1/4	37	276	1/4	x	82	1/16	7017	x	2084	26	7/32	x	67	5/16
	4-0	x	6-10	371	1/4	x	81	9/16	271	1/4	49	372	1/4	x	82	1/16	9455	x	2084	38	7/32	x	67	5/16
	5-0	x	6-10	467	1/4	x	81	9/16	343	1/4	61	468	1/4	x	82	1/16	11894	x	2084	50	7/32	x	67	5/16
	3-0	x	7-2	275	1/4	x	85	9/16	199	1/4	37	276	1/4	x	86	1/16	7017	x	2186	26	7/32	x	71	5/16
	4-0	x	7-2	371	1/4	x	85	9/16	271	1/4	49	372	1/4	x	86	1/16	9455	x	2186	38	7/32	x	71	5/16
	5-0	x	7-2	467	1/4	x	85	9/16	343	1/4	61	468	1/4	x	86	1/16	11894	x	2186	50	7/32	x	71	5/16
	3-0	x	8-0	275	1/4	x	95	9/16	199	1/4	37	276	1/4	x	96	1/16	7017	x	2440	26	7/32	x	81	5/16
	4-0	x	8-0	371	1/4	x	95	9/16	271	1/4	49	372	1/4	x	96	1/16	9455	x	2440	38	7/32	x	81	5/16
	5-0	x	8-0	467	1/4	x	95	9/16	343	1/4	61	468	1/4	x	96	1/16	11894	x	2440	50	7/32	x	81	5/16
	3-0	x	8-2	275	1/4	x	97	9/16	199	1/4	37	276	1/4	x	98	1/16	7017	x	2491	26	7/32	x	83	5/16
	4-0	x	8-2	371	1/4	x	97	9/16	271	1/4	49	372	1/4	x	98	1/16	9455	x	2491	38	7/32	x	83	5/16
	5-0	x	8-2	467	1/4	x	97	9/16	343	1/4	61	468	1/4	x	98	1/16	11894	x	2491	50	7/32	x	83	5/16
	3-0	x	9-0	275	1/4	x	107	9/16	199	1/4	37	276	1/4	x	108	1/16	7017	x	2745	26	7/32	x	93	5/16
	4-0	x	9-0	371	1/4	x	107	9/16	271	1/4	49	372	1/4	x	108	1/16	9455	x	2745	38	7/32	x	93	5/16
	5-0	x	9-0	467	1/4	x	107	9/16	343	1/4	61	468	1/4	x	108	1/16	11894	x	2745	50	7/32	x	93	5/16
	3-0	x	9-2	275	1/4	x	109	9/16	199	1/4	37	276	1/4	x	110	1/16	7017	x	2796	26	7/32	x	95	5/16
	4-0	x	9-2	371	1/4	x	109	9/16	271	1/4	49	372	1/4	x	110	1/16	9455	x	2796	38	7/32	x	95	5/16
5-0	x	9-2	467	1/4	x	109	9/16	343	1/4	61	468	1/4	x	110	1/16	11894	x	2796	50	7/32	x	95	5/16	

# PREMIUM SERIES 8-PANEL MULTI-SLIDE DOORS (8719/8721)

## Size Charts

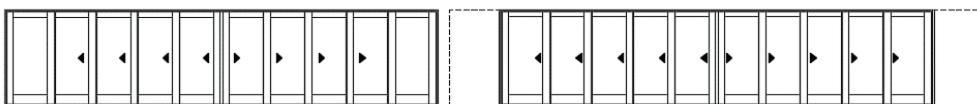


Premium Series Multi-Slide doors - 1-3/4" Panel (8719) - 2-1/4" Panel (8721)																	
Call-out size	Jamb Dimension			Exterior Exposed Jamb Width	Exterior Pocket Width	Rough Opening			Metric R.O. (mm)			Glass Size					
	Width	x	Height			Width	x	Height	Width	x	Height	Width	x	Height			
8 Bi-Parting Panel Doors - No Pocket	3-0	x	6-8	261 11/16	x	79 1/16			262 11/16	x	79 9/16	6672	x	2021	26 7/32	x	64 13/16
	4-0	x	6-8	357 11/16	x	79 1/16			358 11/16	x	79 9/16	9111	x	2021	38 7/32	x	64 13/16
	5-0	x	6-8	453 11/16	x	79 1/16			454 11/16	x	79 9/16	11549	x	2021	50 7/32	x	64 13/16
	3-0	x	6-10	261 11/16	x	81 9/16			262 11/16	x	82 1/16	6672	x	2084	26 7/32	x	67 5/16
	4-0	x	6-10	357 11/16	x	81 9/16			358 11/16	x	82 1/16	9111	x	2084	38 7/32	x	67 5/16
	5-0	x	6-10	453 11/16	x	81 9/16			454 11/16	x	82 1/16	11549	x	2084	50 7/32	x	67 5/16
	3-0	x	7-2	261 11/16	x	85 9/16			262 11/16	x	86 1/16	6672	x	2186	26 7/32	x	71 5/16
	4-0	x	7-2	357 11/16	x	85 9/16			358 11/16	x	86 1/16	9111	x	2186	38 7/32	x	71 5/16
	5-0	x	7-2	453 11/16	x	85 9/16			454 11/16	x	86 1/16	11549	x	2186	50 7/32	x	71 5/16
	3-0	x	8-0	261 11/16	x	95 9/16			262 11/16	x	96 1/16	6672	x	2440	26 7/32	x	81 5/16
	4-0	x	8-0	357 11/16	x	95 9/16			358 11/16	x	96 1/16	9111	x	2440	38 7/32	x	81 5/16
	5-0	x	8-0	453 11/16	x	95 9/16			454 11/16	x	96 1/16	11549	x	2440	50 7/32	x	81 5/16
	3-0	x	8-2	261 11/16	x	97 9/16			262 11/16	x	98 1/16	6672	x	2491	26 7/32	x	83 5/16
	4-0	x	8-2	357 11/16	x	97 9/16			358 11/16	x	98 1/16	9111	x	2491	38 7/32	x	83 5/16
	5-0	x	8-2	453 11/16	x	97 9/16			454 11/16	x	98 1/16	11549	x	2491	50 7/32	x	83 5/16
	3-0	x	9-0	261 11/16	x	107 9/16			262 11/16	x	108 1/16	6672	x	2745	26 7/32	x	93 5/16
	4-0	x	9-0	357 11/16	x	107 9/16			358 11/16	x	108 1/16	9111	x	2745	38 7/32	x	93 5/16
	5-0	x	9-0	453 11/16	x	107 9/16			454 11/16	x	108 1/16	11549	x	2745	50 7/32	x	93 5/16
	3-0	x	9-2	261 11/16	x	109 9/16			262 11/16	x	110 1/16	6672	x	2796	26 7/32	x	95 5/16
	4-0	x	9-2	357 11/16	x	109 9/16			358 11/16	x	110 1/16	9111	x	2796	38 7/32	x	95 5/16
5-0	x	9-2	453 11/16	x	109 9/16			454 11/16	x	110 1/16	11549	x	2796	50 7/32	x	95 5/16	
8 Bi-Parting Panel Doors - 2 Pockets	3-0	x	6-8	337 9/16	x	79 1/16	261 9/16	37	338 9/16	x	79 9/16	8599	x	2021	26 7/32	x	64 13/16
	4-0	x	6-8	457 9/16	x	79 1/16	357 9/16	49	458 9/16	x	79 9/16	11647	x	2021	38 7/32	x	64 13/16
	3-0	x	6-10	337 9/16	x	81 9/16	261 9/16	37	338 9/16	x	82 1/16	8599	x	2084	26 7/32	x	67 5/16
	4-0	x	6-10	457 9/16	x	81 9/16	357 9/16	49	458 9/16	x	82 1/16	11647	x	2084	38 7/32	x	67 5/16
	3-0	x	7-2	337 9/16	x	85 9/16	261 9/16	37	338 9/16	x	86 1/16	8599	x	2186	26 7/32	x	71 5/16
	4-0	x	7-2	457 9/16	x	85 9/16	357 9/16	49	458 9/16	x	86 1/16	11647	x	2186	38 7/32	x	71 5/16
	3-0	x	8-0	337 9/16	x	95 9/16	261 9/16	37	338 9/16	x	96 1/16	8599	x	2440	26 7/32	x	81 5/16
	4-0	x	8-0	457 9/16	x	95 9/16	357 9/16	49	458 9/16	x	96 1/16	11647	x	2440	38 7/32	x	81 5/16
	3-0	x	8-2	337 9/16	x	97 9/16	261 9/16	37	338 9/16	x	98 1/16	8599	x	2491	26 7/32	x	83 5/16
	4-0	x	8-2	457 9/16	x	97 9/16	357 9/16	49	458 9/16	x	98 1/16	11647	x	2491	38 7/32	x	83 5/16
	3-0	x	9-0	337 9/16	x	107 9/16	261 9/16	37	338 9/16	x	108 1/16	8599	x	2745	26 7/32	x	93 5/16
	4-0	x	9-0	457 9/16	x	107 9/16	357 9/16	49	458 9/16	x	108 1/16	11647	x	2745	38 7/32	x	93 5/16
	3-0	x	9-2	337 9/16	x	109 9/16	261 9/16	37	338 9/16	x	110 1/16	8599	x	2796	26 7/32	x	95 5/16
	4-0	x	9-2	457 9/16	x	109 9/16	357 9/16	49	458 9/16	x	110 1/16	11647	x	2796	38 7/32	x	95 5/16



# PREMIUM SERIES 10-PANEL MULTI-SLIDE DOORS (8719)

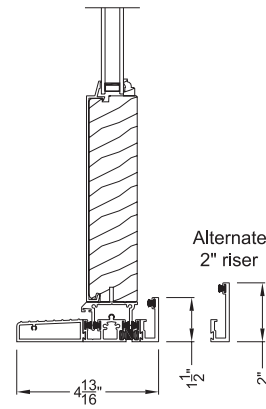
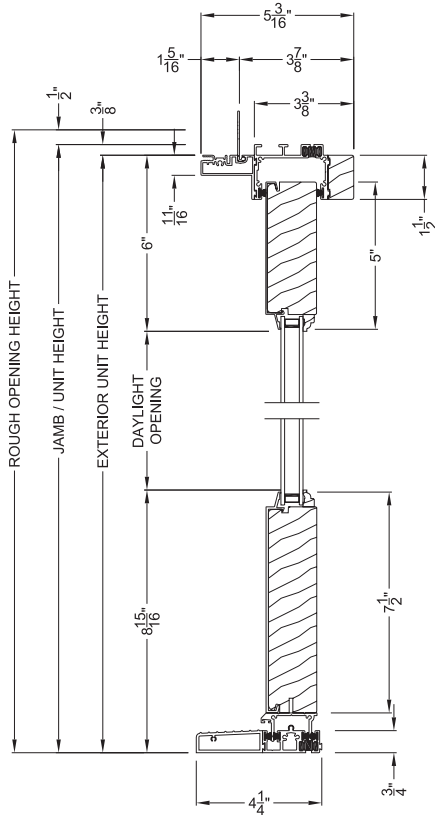
## Size Charts



Premium Series Multi-Slide doors - 1-3/4" Panel (8719) - 2-1/4" Panel (8721)																								
Call-out size	Jamb Dimension			Exterior Exposed Jamb Width	Exterior Pocket Width	Rough Opening			Metric R.O. (mm)			Glass Size												
	Width	x	Height			Width	x	Height	Width	x	Height	Width	x	Height										
10 Bi-Parting Panel Doors - No Pocket	3-0	x	6-8	324	x	79	1/16			325	x	79	9/16	8255	x	2021	26	7/32	x	64	13/16			
	4-0	x	6-8	444	x	79	1/16			445	x	79	9/16	11303	x	2021	38	7/32	x	64	13/16			
	5-0	x	6-8	564	x	79	1/16			565	x	79	9/16	14351	x	2021	50	7/32	x	64	13/16			
	3-0	x	6-10	324	x	81	9/16			325	x	82	1/16	8255	x	2084	26	7/32	x	67	5/16			
	4-0	x	6-10	444	x	81	9/16			445	x	82	1/16	11303	x	2084	38	7/32	x	67	5/16			
	5-0	x	6-10	564	x	81	9/16			565	x	82	1/16	14351	x	2084	50	7/32	x	67	5/16			
	3-0	x	7-2	324	x	85	9/16			325	x	86	1/16	8255	x	2186	26	7/32	x	71	5/16			
	4-0	x	7-2	444	x	85	9/16			445	x	86	1/16	11303	x	2186	38	7/32	x	71	5/16			
	5-0	x	7-2	564	x	85	9/16			565	x	86	1/16	14351	x	2186	50	7/32	x	71	5/16			
	3-0	x	8-0	324	x	95	9/16			325	x	96	1/16	8255	x	2440	26	7/32	x	81	5/16			
	4-0	x	8-0	444	x	95	9/16			445	x	96	1/16	11303	x	2440	38	7/32	x	81	5/16			
	5-0	x	8-0	564	x	95	9/16			565	x	96	1/16	14351	x	2440	50	7/32	x	81	5/16			
	3-0	x	8-2	324	x	97	9/16			325	x	98	1/16	8255	x	2491	26	7/32	x	83	5/16			
	4-0	x	8-2	444	x	97	9/16			445	x	98	1/16	11303	x	2491	38	7/32	x	83	5/16			
	5-0	x	8-2	564	x	97	9/16			565	x	98	1/16	14351	x	2491	50	7/32	x	83	5/16			
	3-0	x	9-0	324	x	107	9/16			325	x	108	1/16	8255	x	2745	26	7/32	x	93	5/16			
	4-0	x	9-0	444	x	107	9/16			445	x	108	1/16	11303	x	2745	38	7/32	x	93	5/16			
	5-0	x	9-0	564	x	107	9/16			565	x	108	1/16	14351	x	2745	50	7/32	x	93	5/16			
	3-0	x	9-2	324	x	109	9/16			325	x	110	1/16	8255	x	2796	26	7/32	x	95	5/16			
	4-0	x	9-2	444	x	109	9/16			445	x	110	1/16	11303	x	2796	38	7/32	x	95	5/16			
5-0	x	9-2	564	x	109	9/16			565	x	110	1/16	14351	x	2796	50	7/32	x	95	5/16				
10 Bi-Parting Panel Doors - 2 Pockets	3-0	x	6-8	399	7/8	x	79	1/16	323	7/8	37	400	7/8	x	79	9/16	10182	x	2021	26	7/32	x	64	13/16
	4-0	x	6-8	543	7/8	x	79	1/16	443	7/8	49	544	7/8	x	79	9/16	13840	x	2021	38	7/32	x	64	13/16
	3-0	x	6-10	399	7/8	x	81	9/16	323	7/8	37	400	7/8	x	82	1/16	10182	x	2084	26	7/32	x	67	5/16
	4-0	x	6-10	543	7/8	x	81	9/16	443	7/8	49	544	7/8	x	82	1/16	13840	x	2084	38	7/32	x	67	5/16
	3-0	x	7-2	399	7/8	x	85	9/16	323	7/8	37	400	7/8	x	86	1/16	10182	x	2186	26	7/32	x	71	5/16
	4-0	x	7-2	543	7/8	x	85	9/16	443	7/8	49	544	7/8	x	86	1/16	13840	x	2186	38	7/32	x	71	5/16
	3-0	x	8-0	399	7/8	x	95	9/16	323	7/8	37	400	7/8	x	96	1/16	10182	x	2440	26	7/32	x	81	5/16
	4-0	x	8-0	543	7/8	x	95	9/16	443	7/8	49	544	7/8	x	96	1/16	13840	x	2440	38	7/32	x	81	5/16
	3-0	x	8-2	399	7/8	x	97	9/16	323	7/8	37	400	7/8	x	98	1/16	10182	x	2491	26	7/32	x	83	5/16
	4-0	x	8-2	543	7/8	x	97	9/16	443	7/8	49	544	7/8	x	98	1/16	13840	x	2491	38	7/32	x	83	5/16
	3-0	x	9-0	399	7/8	x	107	9/16	323	7/8	37	400	7/8	x	108	1/16	10182	x	2745	26	7/32	x	93	5/16
	4-0	x	9-0	543	7/8	x	107	9/16	443	7/8	49	544	7/8	x	108	1/16	13840	x	2745	38	7/32	x	93	5/16
	3-0	x	9-2	399	7/8	x	109	9/16	323	7/8	37	400	7/8	x	110	1/16	10182	x	2796	26	7/32	x	95	5/16
	4-0	x	9-2	543	7/8	x	109	9/16	443	7/8	49	544	7/8	x	110	1/16	13840	x	2796	38	7/32	x	95	5/16

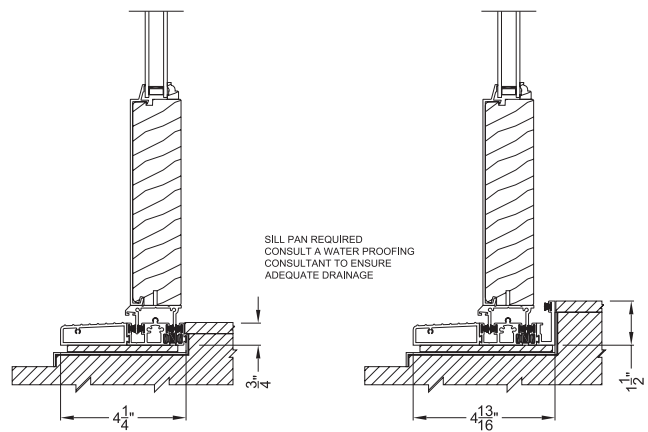
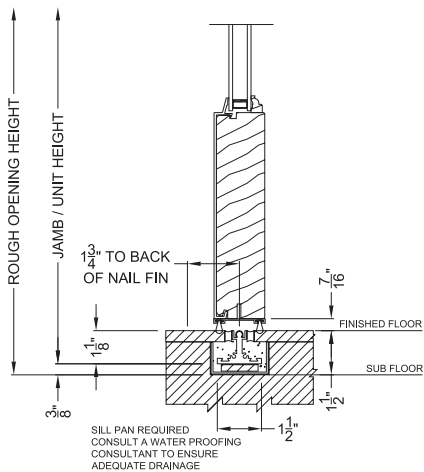
# PREMIUM SERIES 1-PANEL OR BI-PARTING 2-PANEL 1-3/4" MULTI-SLIDE DOORS (8719)

## Cross Sections



**PREMIUM 1-3/4" MULTI-SLIDE PATIO DOOR (8719)**  
Vertical Section - Flush Sill - 1 or Bi-parting 2 Panel Door

**PREMIUM 1-3/4" MULTI-SLIDE PATIO DOOR (8719)**  
Vertical Section - with Sill Riser - 1 or Bi-parting 2 Panel Door



**PREMIUM 1-3/4" MULTI-SLIDE PATIO DOOR (8719)**  
Vertical Section - with T-track sill - 1 or Bi-parting 2 Panel Door

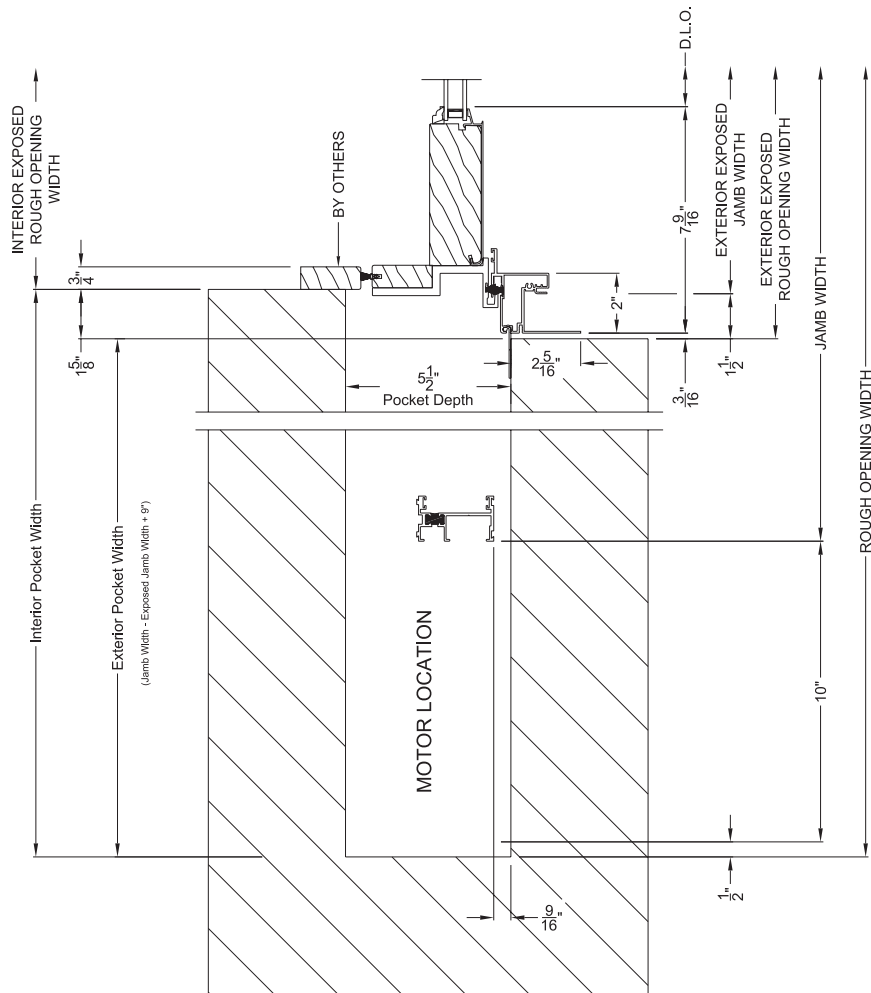
**PREMIUM 1-3/4" MULTI-SLIDE PATIO DOOR (8719)**  
Vertical Section - With sill pan

Note: All dimensions are approximate. Weather Shield reserves the right to change specifications without notice.



# PREMIUM SERIES 1-PANEL OR BI-PARTING 2-PANEL 1-3/4" MULTI-SLIDE DOORS (8719)

## Cross Sections

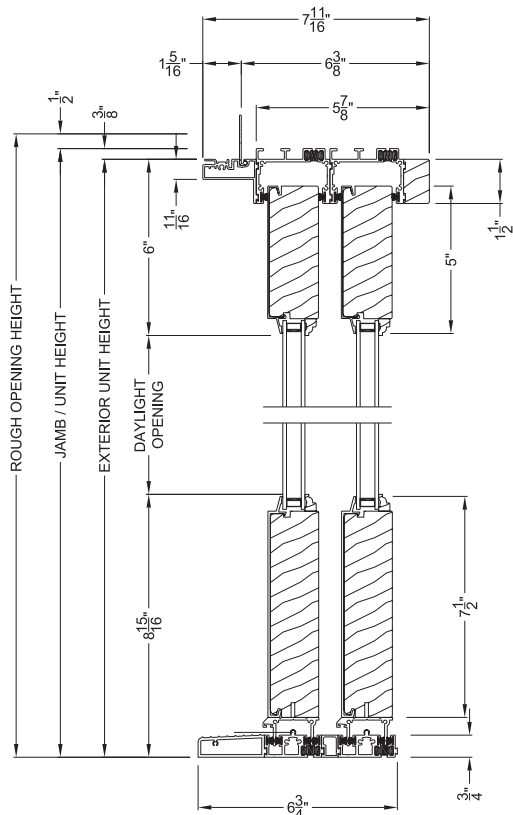


**PREMIUM 1-3/4" MULTI-SLIDE PATIO DOOR (8719)**  
Horizontal Motorized Pocket Section - 1 or Bi-parting 2 Panel Door

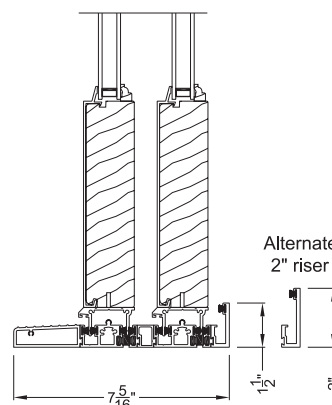
Note: All dimensions are approximate. Weather Shield reserves the right to change specifications without notice.

# PREMIUM SERIES 2-PANEL OR BI-PARTING 4-PANEL 1-3/4" MULTI-SLIDE DOORS (8719)

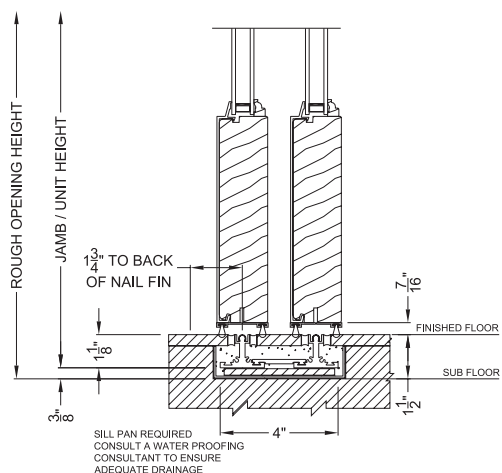
## Cross Sections



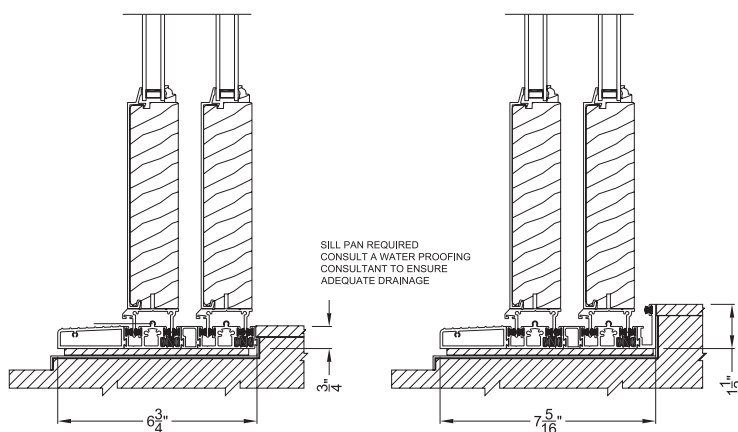
**PREMIUM 1-3/4" MULTI-SLIDE PATIO DOOR (8719)**  
Vertical Section - Flush Sill - 2 or Bi-parting 4 Panel Door



**PREMIUM 1-3/4" MULTI-SLIDE PATIO DOOR (8719)**  
Vertical Section - with Sill Riser - 2 or Bi-parting 4 Panel Door



**PREMIUM 1-3/4" MULTI-SLIDE PATIO DOOR (8719)**  
Vertical Section - with T-track sill - 2 or Bi-parting 4 Panel Door

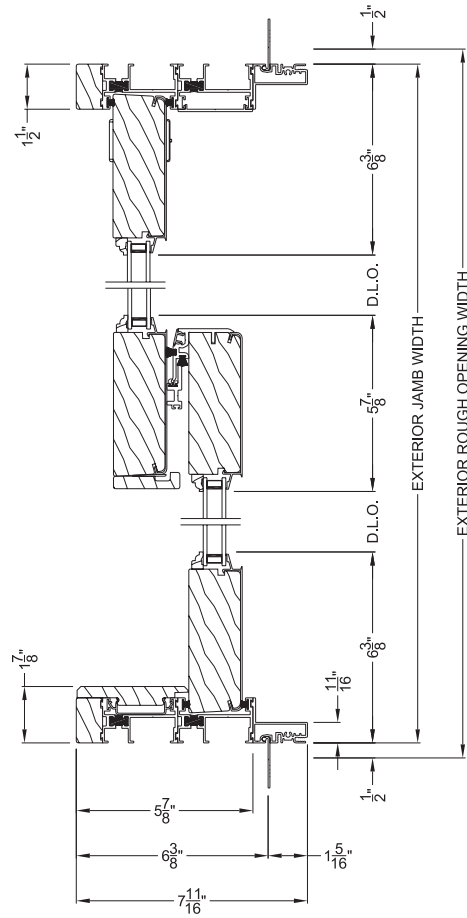


**PREMIUM 1-3/4" MULTI-SLIDE PATIO DOOR (8719)**  
Vertical Section - With sill pan

Note: All dimensions are approximate. Weather Shield reserves the right to change specifications without notice.

# PREMIUM SERIES 2-PANEL 1-3/4" MULTI-SLIDE DOORS (8719)

## Cross Sections

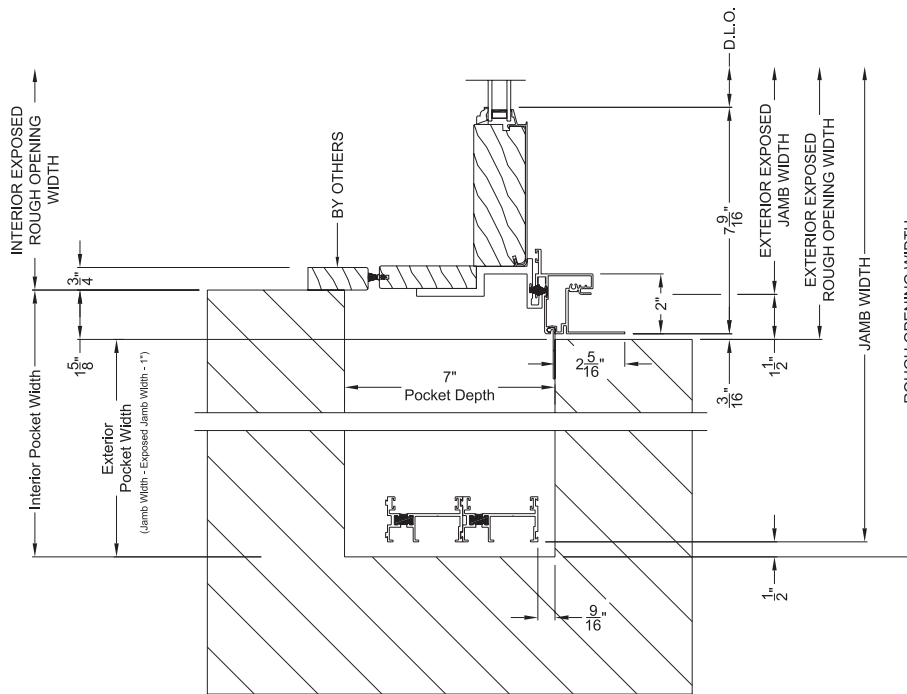


PREMIUM 1-3/4" MULTI-SLIDE PATIO DOOR (8719)  
Horizontal Section - 2 Panel Door

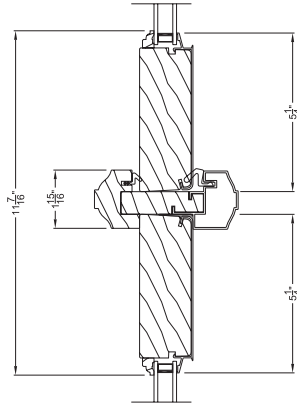
Note: All dimensions are approximate. Weather Shield reserves the right to change specifications without notice.

# PREMIUM SERIES 2-PANEL OR BI-PARTING 4-PANEL 1-3/4" MULTI-SLIDE DOORS (8719)

## Cross Sections



**PREMIUM 1-3/4" MULTI-SLIDE PATIO DOOR (8719)**  
Horizontal Pocket Section - 2 or Bi-parting 4 Panel Door

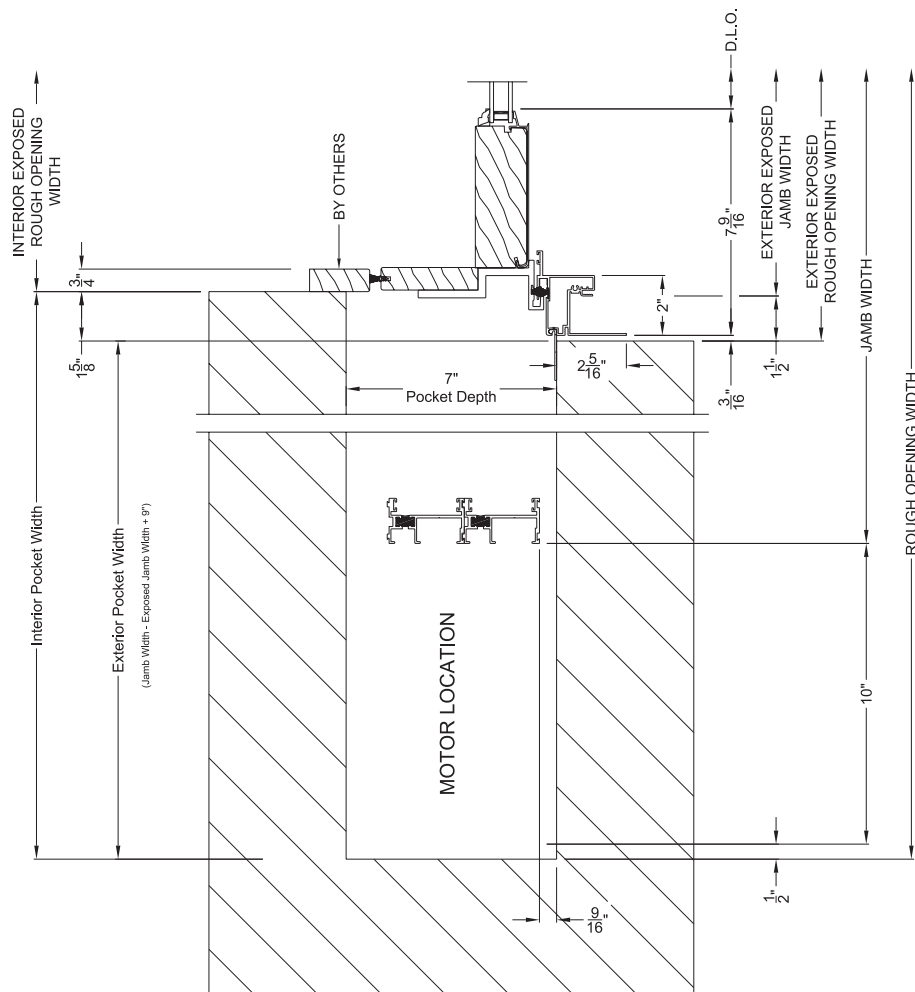


**PREMIUM 1-3/4" MULTI-SLIDE PATIO DOOR (8719)**  
Horizontal Section - Bi-parting stiles

Note: All dimensions are approximate. Weather Shield reserves the right to change specifications without notice.

# PREMIUM SERIES 2-PANEL OR BI-PARTING 4-PANEL 1-3/4" MULTI-SLIDE DOORS (8719)

## Cross Sections



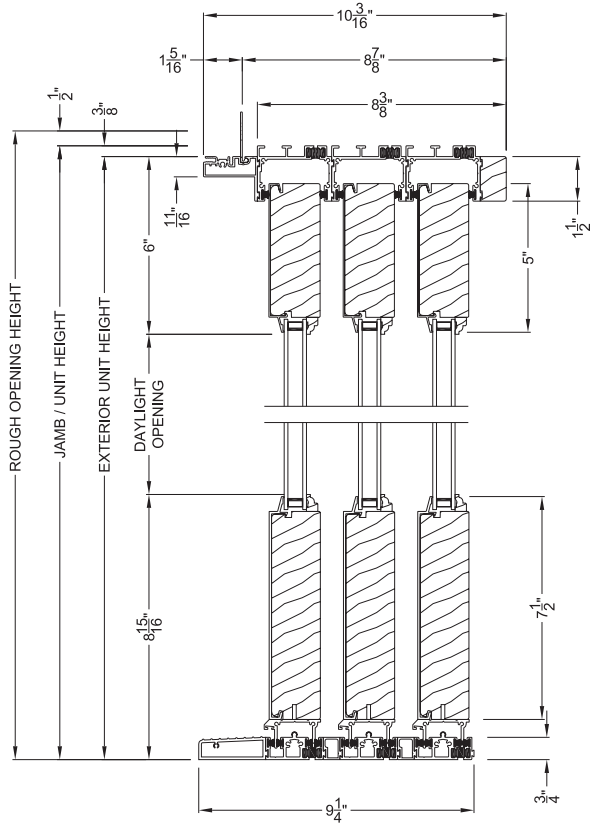
**PREMIUM 1-3/4" MULTI-SLIDE PATIO DOOR (8719)**  
Horizontal Motorized Pocket Section - 2 or Bi-parting 4 Panel Door

Note: All dimensions are approximate. Weather Shield reserves the right to change specifications without notice.

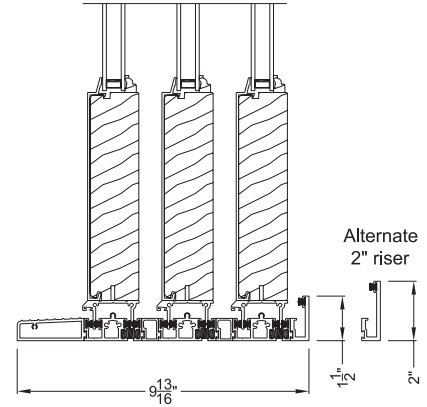


# PREMIUM SERIES 3-PANEL OR BI-PARTING 6-PANEL 1-3/4" MULTI-SLIDE DOORS (8719)

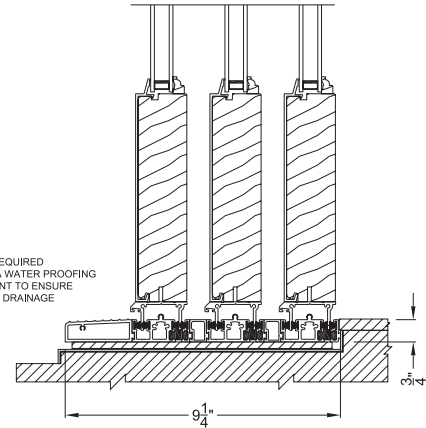
## Cross Sections



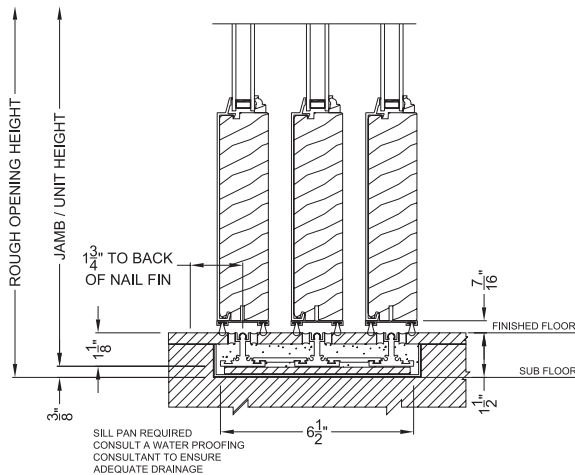
**PREMIUM 1-3/4" MULTI-SLIDE PATIO DOOR (8719)**  
Vertical Section - Flush Sill - 3 or Bi-parting 6 Panel Door



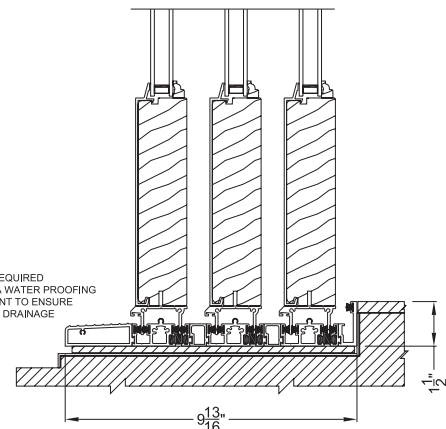
**PREMIUM 1-3/4" MULTI-SLIDE PATIO DOOR (8719)**  
Vertical Section - with Sill Riser - 3 or Bi-parting 6 Panel Door



**PREMIUM 1-3/4" MULTI-SLIDE PATIO DOOR (8719)**  
Vertical Section - With sill pan



**PREMIUM 1-3/4" MULTI-SLIDE PATIO DOOR (8719)**  
Vertical Section - with T-track sill - 3 or Bi-parting 6 Panel Door

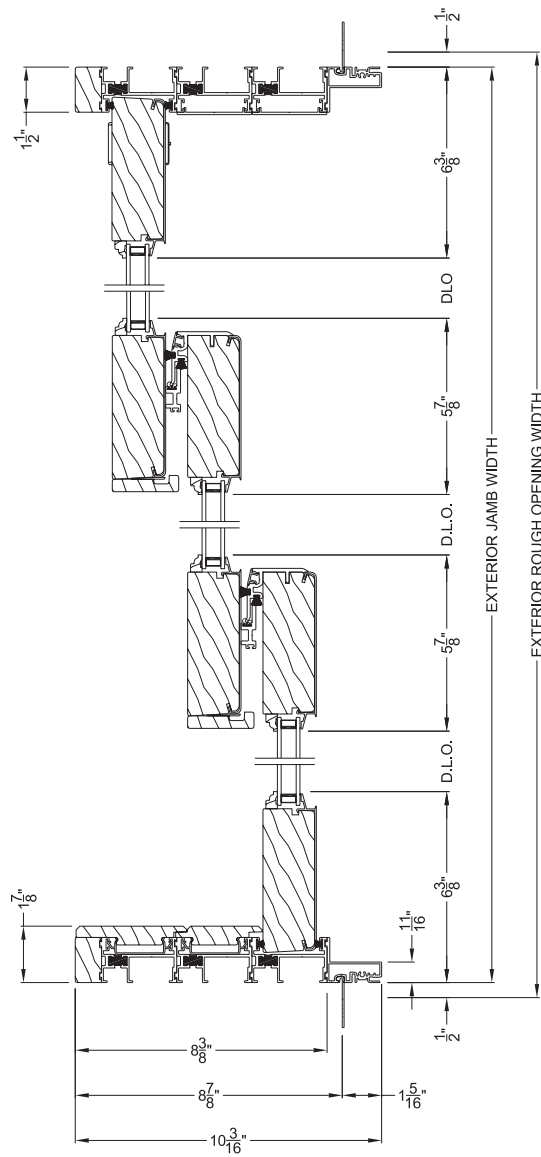


**PREMIUM 1-3/4" MULTI-SLIDE PATIO DOOR (8719)**  
Vertical Section - With sill pan

Note: All dimensions are approximate. Weather Shield reserves the right to change specifications without notice.

# PREMIUM SERIES 3-PANEL 1-3/4" MULTI-SLIDE DOORS (8719)

## Cross Sections

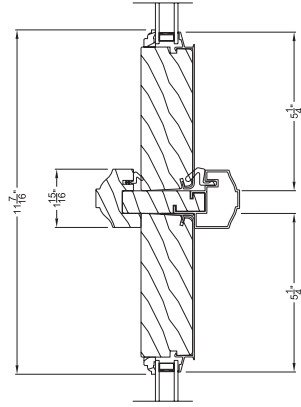


**PREMIUM 1-3/4" MULTI-SLIDE PATIO DOOR (8719)**  
Horizontal Section - 3 Panel Door

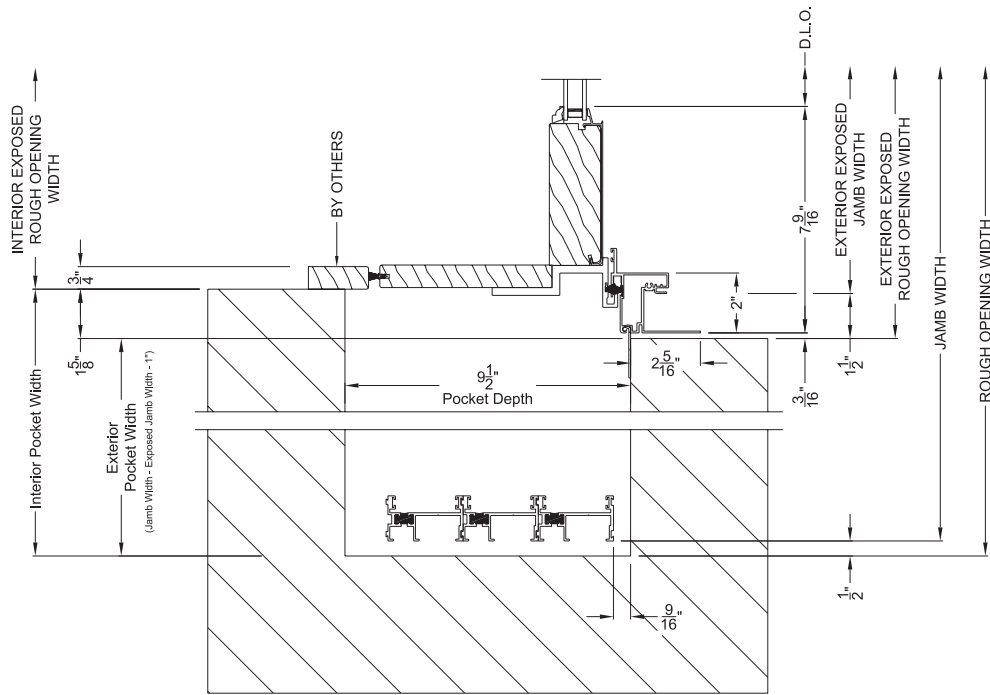
Note: All dimensions are approximate. Weather Shield reserves the right to change specifications without notice.

# PREMIUM SERIES 3-PANEL OR BI-PARTING 6-PANEL 1-3/4" MULTI-SLIDE DOORS (8719)

## Cross Sections



**PREMIUM 1-3/4" MULTI-SLIDE PATIO DOOR (8719)**  
Horizontal Section - Bi-parting stiles

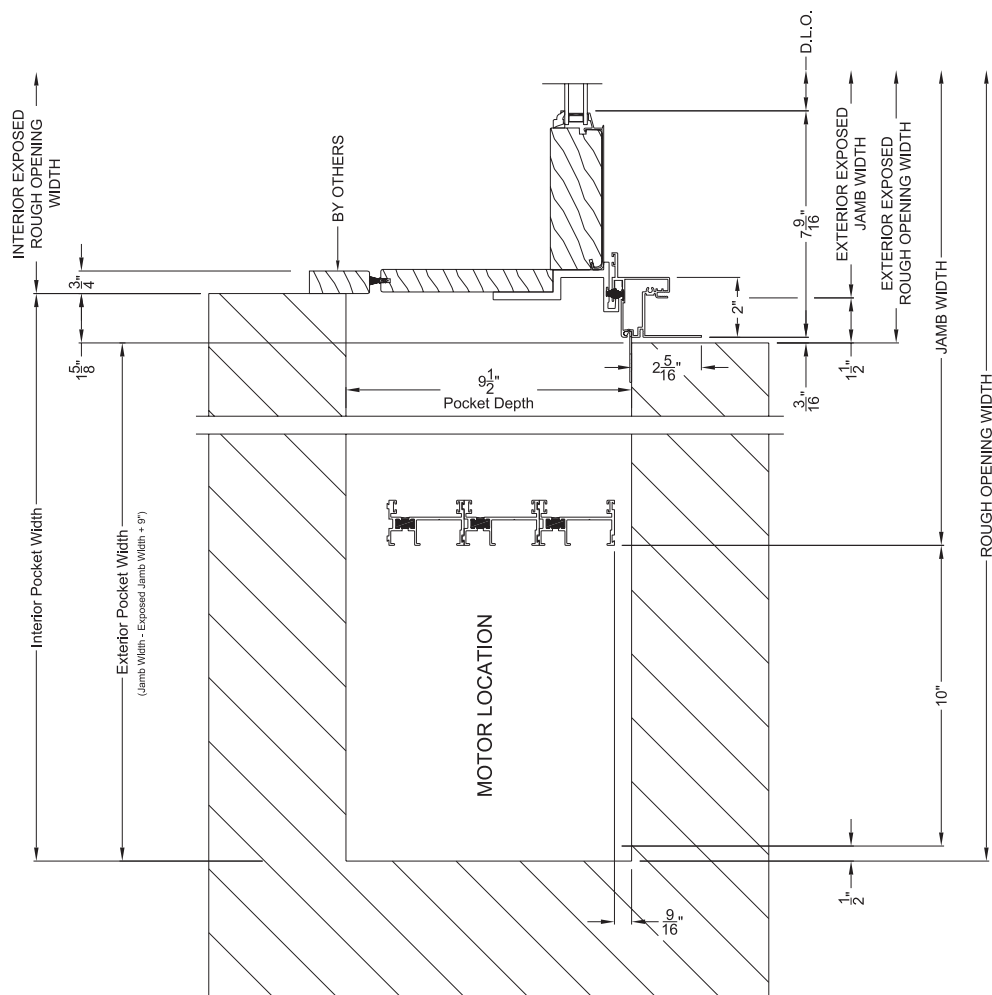


**PREMIUM 1-3/4" MULTI-SLIDE PATIO DOOR (8719)**  
Horizontal Pocket Section - 3 or Bi-parting 6 Panel Door

Note: All dimensions are approximate. Weather Shield reserves the right to change specifications without notice.

# PREMIUM SERIES 3-PANEL OR BI-PARTING 6-PANEL 1-3/4" MULTI-SLIDE DOORS (8719)

## Cross Sections



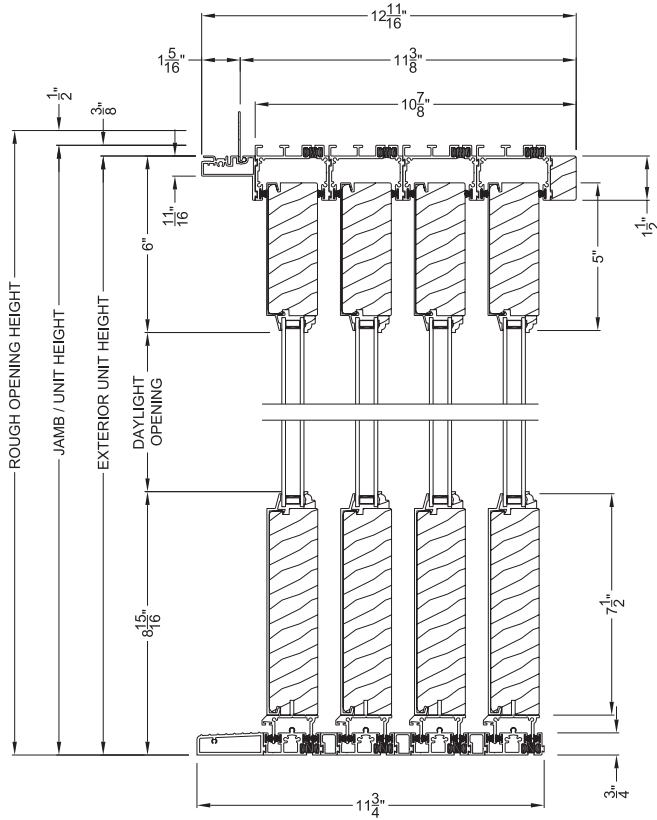
**PREMIUM 1-3/4" MULTI-SLIDE PATIO DOOR (8719)**

Horizontal Motorized Pocket Section - 3 or Bi-parting 6 Panel Door

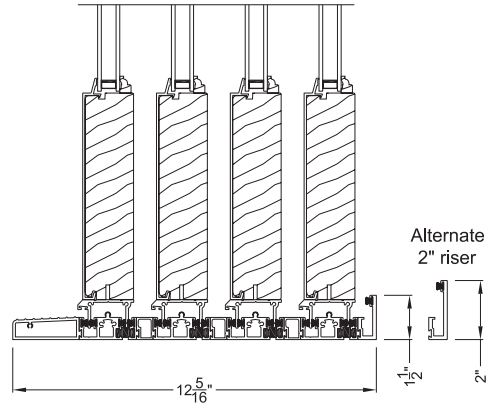
Note: All dimensions are approximate. Weather Shield reserves the right to change specifications without notice.

# PREMIUM SERIES 4-PANEL OR BI-PARTING 8-PANEL 1-3/4" MULTI-SLIDE DOORS (8719)

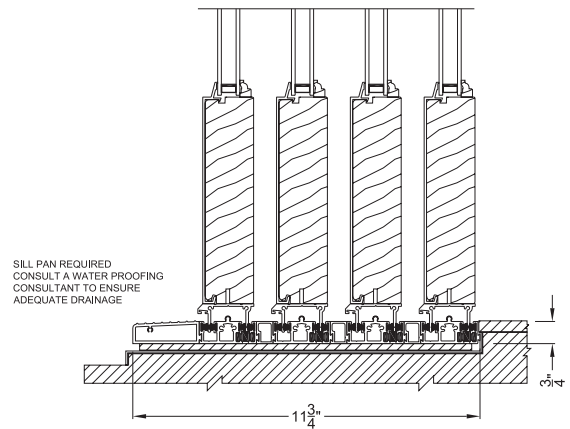
## Cross Sections



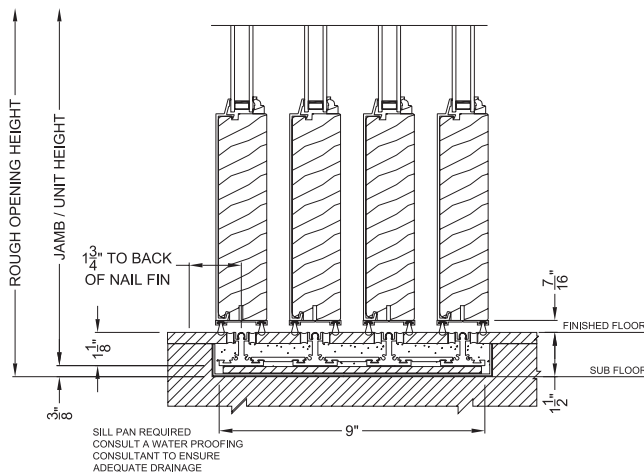
**PREMIUM 1-3/4" MULTI-SLIDE PATIO DOOR (8719)**  
Vertical Section - Flush Sill - 4 or Bi-parting 8 Panel Door



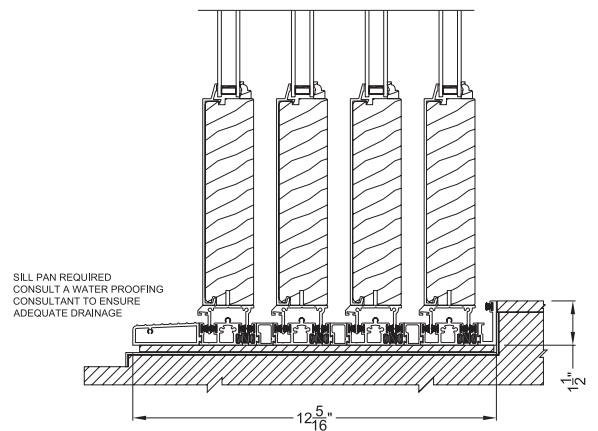
**PREMIUM 1-3/4" MULTI-SLIDE PATIO DOOR (8719)**  
Vertical Section - with Sill Riser - 4 or Bi-parting 8 Panel Door



**PREMIUM 1-3/4" MULTI-SLIDE PATIO DOOR (8719)**  
Vertical Section - With sill pan



**PREMIUM 1-3/4" MULTI-SLIDE PATIO DOOR (8719)**  
Vertical Section - with T-track sill - 4 or Bi-parting 8 Panel Door

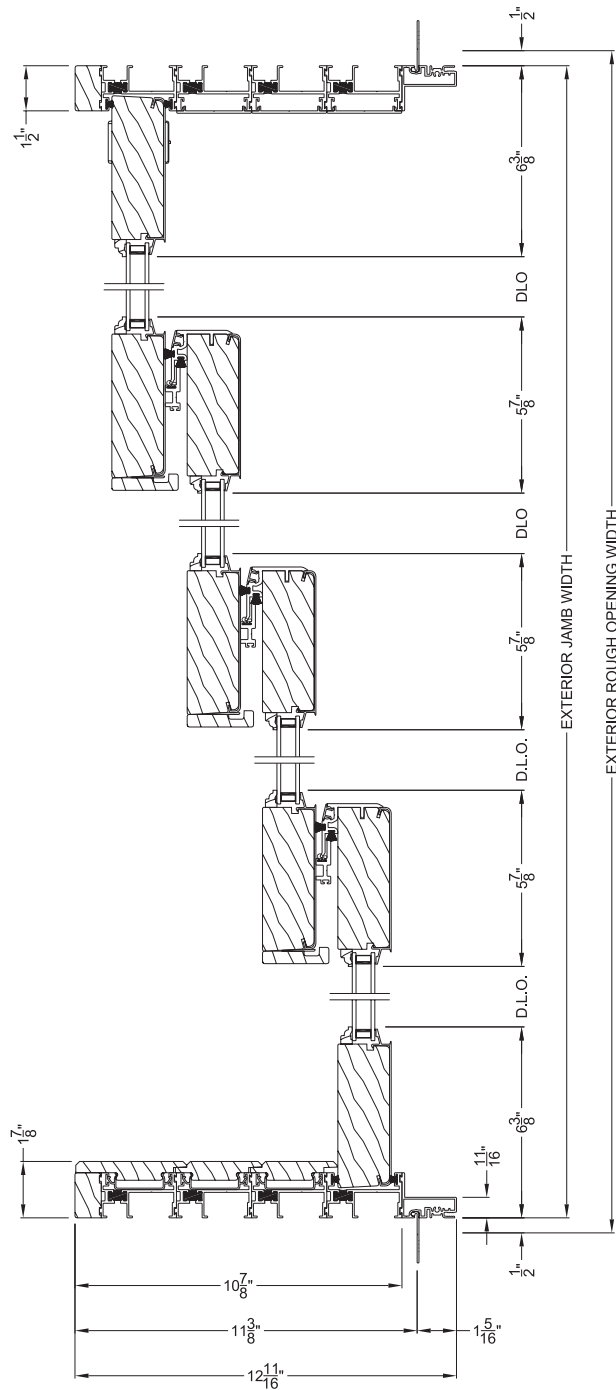


**PREMIUM 1-3/4" MULTI-SLIDE PATIO DOOR (8719)**  
Vertical Section - With sill pan

Note: All dimensions are approximate. Weather Shield reserves the right to change specifications without notice.

# PREMIUM SERIES 4-PANEL 1-3/4" MULTI-SLIDE DOORS (8719)

## Cross Sections

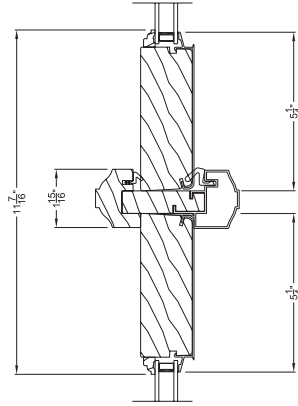


**PREMIUM 1-3/4" MULTI-SLIDE PATIO DOOR (8719)**  
Horizontal Section - 4 Panel Door

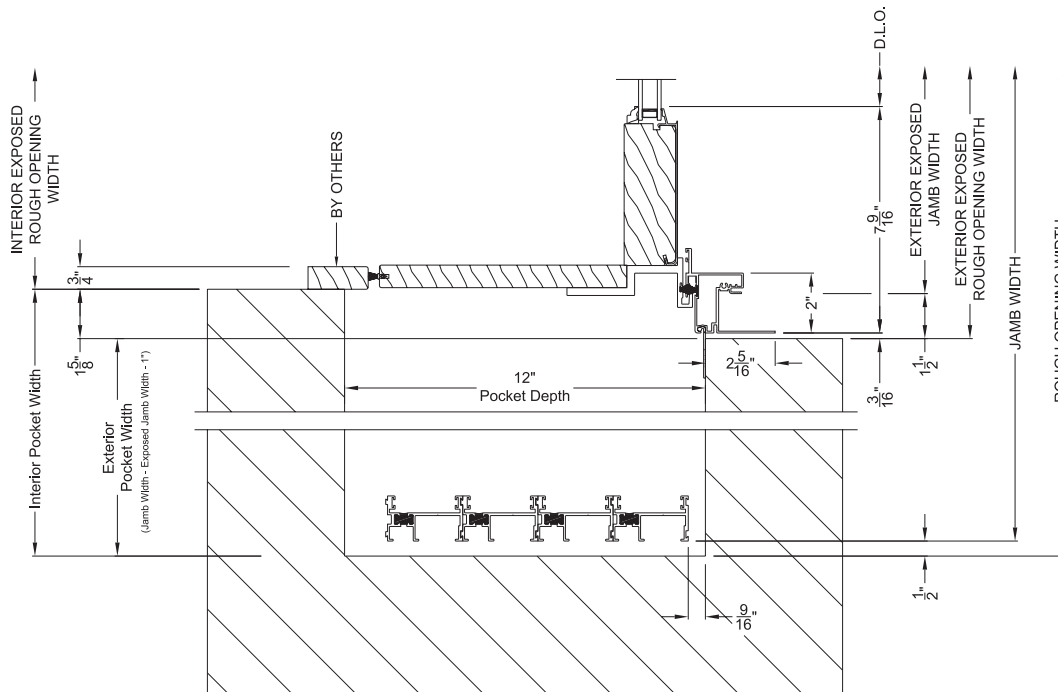
Note: All dimensions are approximate. Weather Shield reserves the right to change specifications without notice.

# PREMIUM SERIES 4-PANEL OR BI-PARTING 8-PANEL 1-3/4" MULTI-SLIDE DOORS (8719)

## Cross Sections



**PREMIUM 1-3/4" MULTI-SLIDE PATIO DOOR (8719)**  
Horizontal Section - Bi-parting stiles

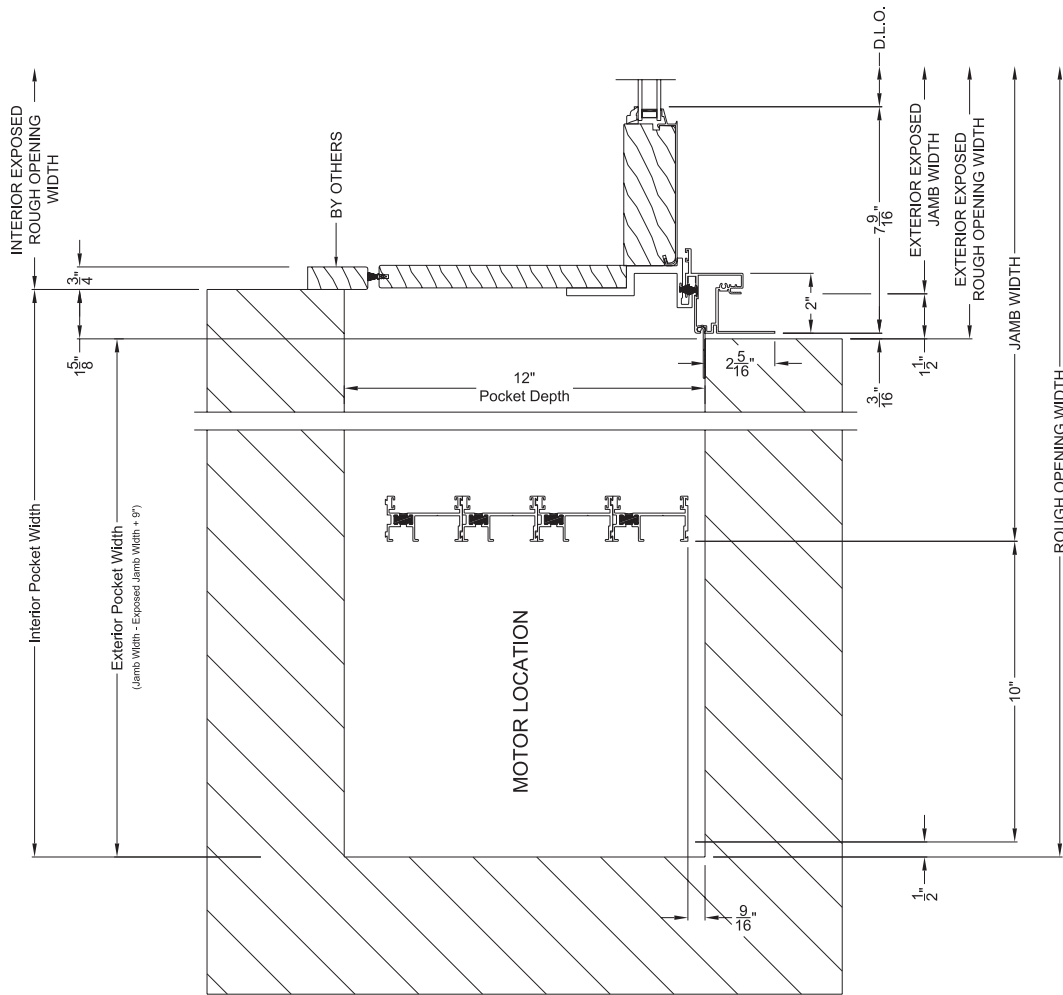


**PREMIUM 1-3/4" MULTI-SLIDE PATIO DOOR (8719)**  
Horizontal Pocket Section - 4 or Bi-parting 8 Panel Door

Note: All dimensions are approximate. Weather Shield reserves the right to change specifications without notice.

# PREMIUM SERIES 4-PANEL OR BI-PARTING 8-PANEL 1-3/4" MULTI-SLIDE DOORS (8719)

## Cross Sections



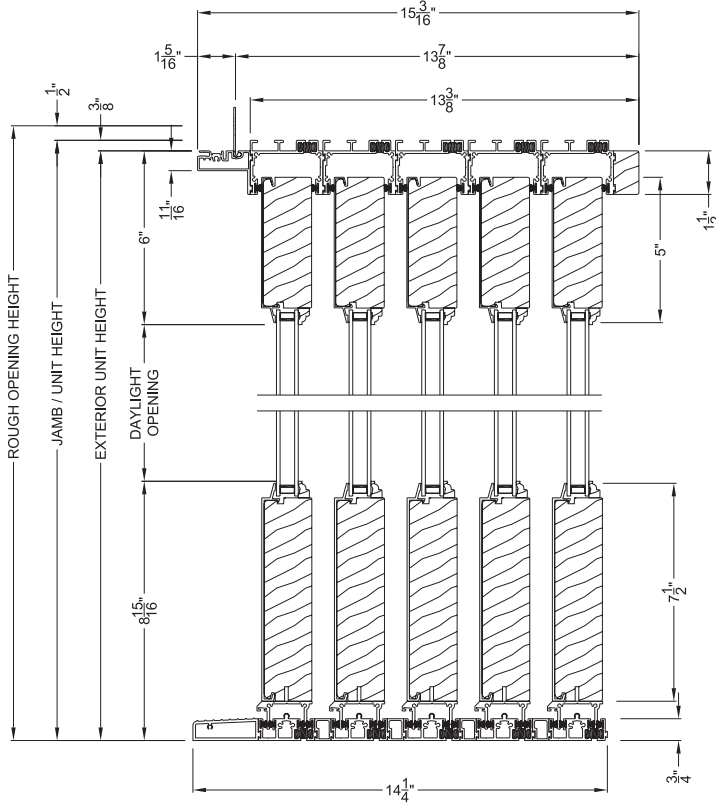
**PREMIUM 1-3/4" MULTI-SLIDE PATIO DOOR (8719)**  
Horizontal Motorized Pocket Section - 4 or Bi-parting 8 Panel Door

Note: All dimensions are approximate. Weather Shield reserves the right to change specifications without notice.

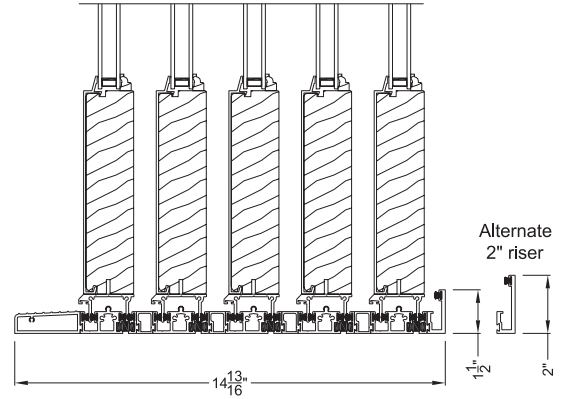


# PREMIUM SERIES 5-PANEL OR BI-PARTING 10-PANEL 1-3/4" MULTI-SLIDE DOORS (8719)

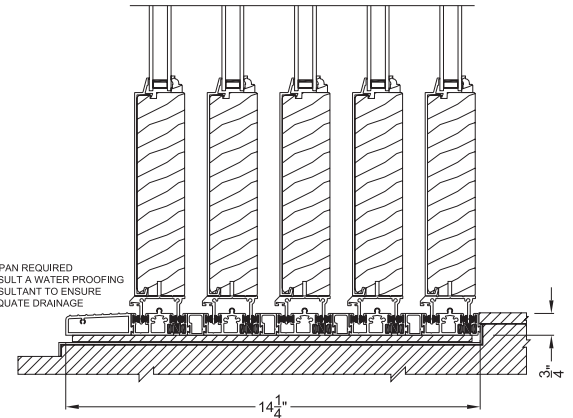
## Cross Sections



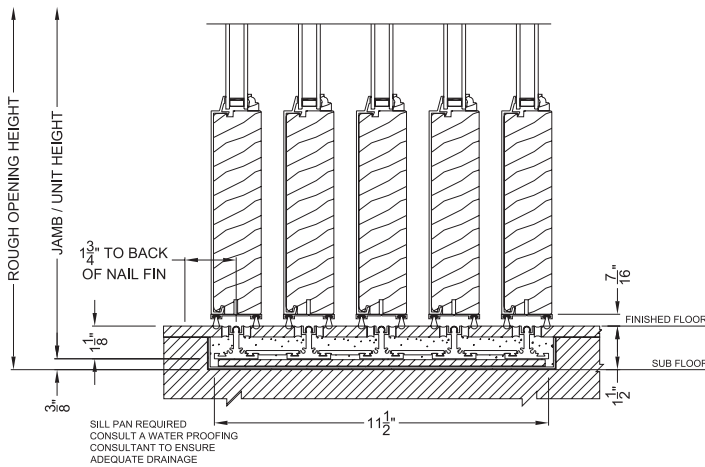
**PREMIUM 1-3/4" MULTI-SLIDE PATIO DOOR (8719)**  
Vertical Section - Flush Sill - 5 or Bi-parting 10 Panel Door



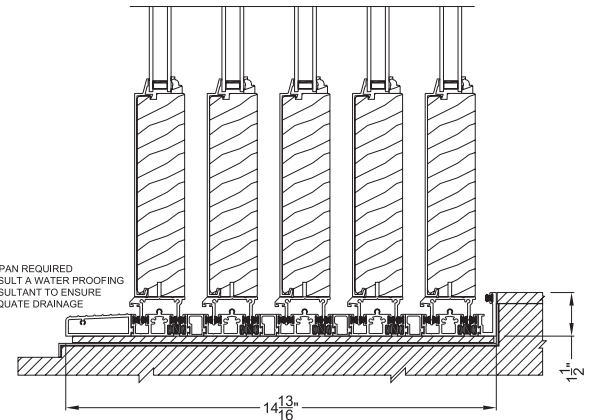
**PREMIUM 1-3/4" MULTI-SLIDE PATIO DOOR (8719)**  
Vertical Section - with Sill Riser - 5 or Bi-parting 10 Panel Door



**PREMIUM 1-3/4" MULTI-SLIDE PATIO DOOR (8719)**  
Vertical Section - with sill pan



**PREMIUM 1-3/4" MULTI-SLIDE PATIO DOOR (8719)**  
Vertical Section - with T-track sill - 5 or Bi-parting 10 Panel Door

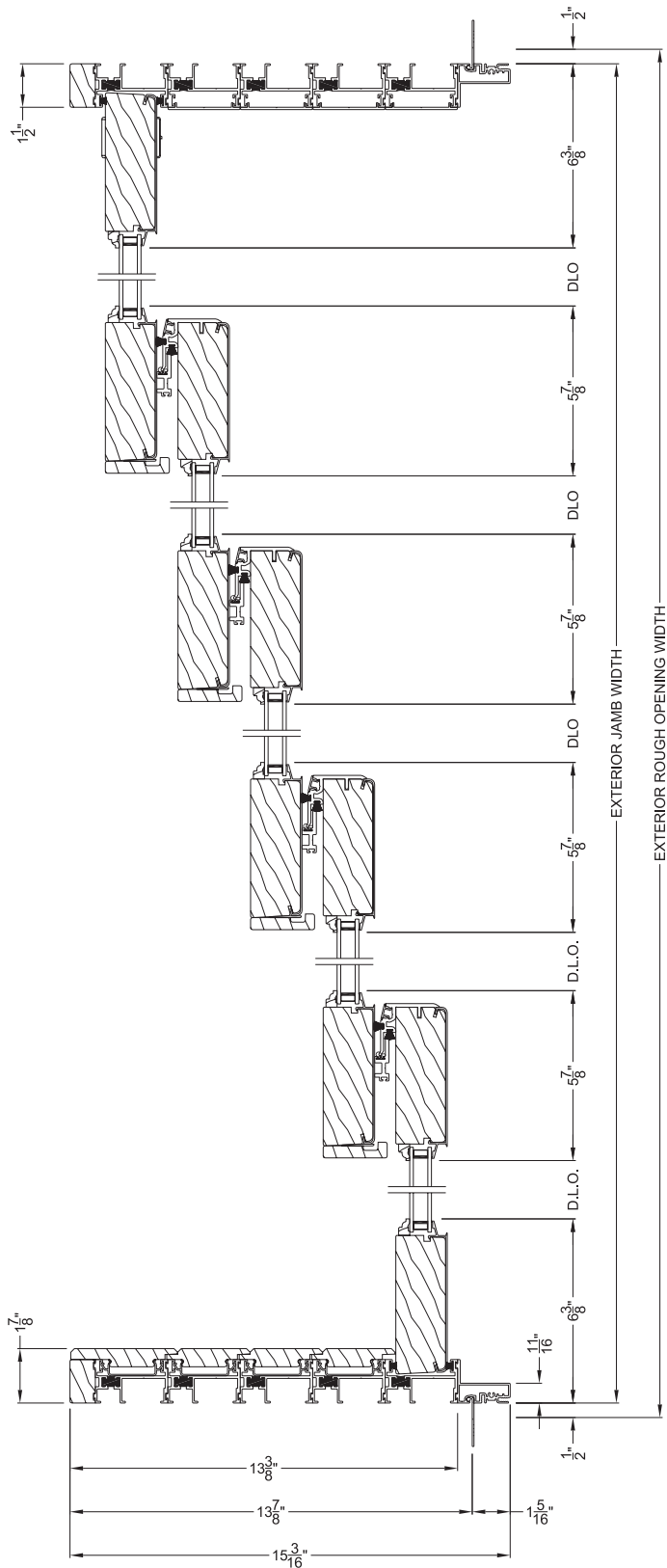


**PREMIUM 1-3/4" MULTI-SLIDE PATIO DOOR (8719)**  
Vertical Section - with sill pan

Note: All dimensions are approximate. Weather Shield reserves the right to change specifications without notice.

# PREMIUM SERIES 5-PANEL 1-3/4" MULTI-SLIDE DOORS (8719)

## Cross Sections

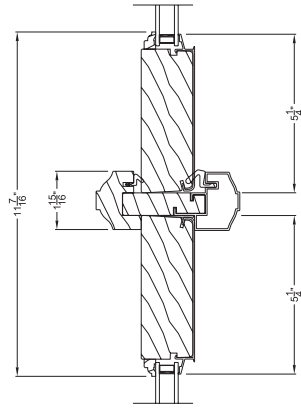


**PREMIUM 1-3/4" MULTI-SLIDE PATIO DOOR (8719)**  
Horizontal Section - 5 Panel Door

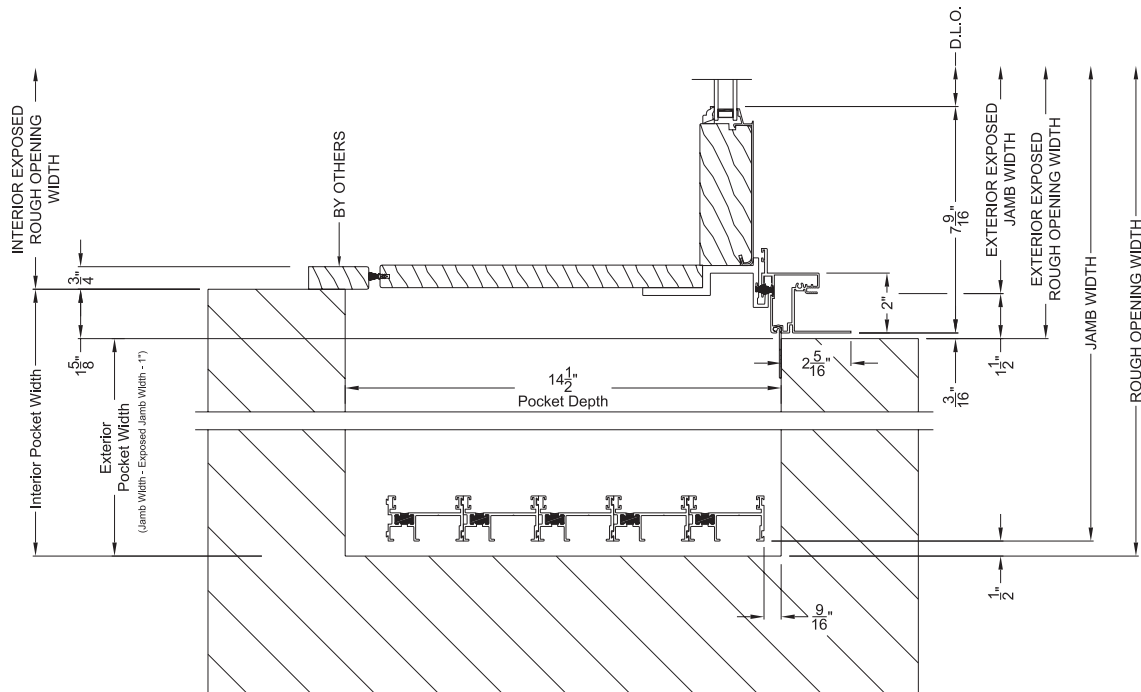
Note: All dimensions are approximate. Weather Shield reserves the right to change specifications without notice.

# PREMIUM SERIES 5-PANEL OR BI-PARTING 10-PANEL 1-3/4" MULTI-SLIDE DOORS (8719)

## Cross Sections



**PREMIUM 1-3/4" MULTI-SLIDE PATIO DOOR (8719)**  
Horizontal Section - Bi-parting stiles

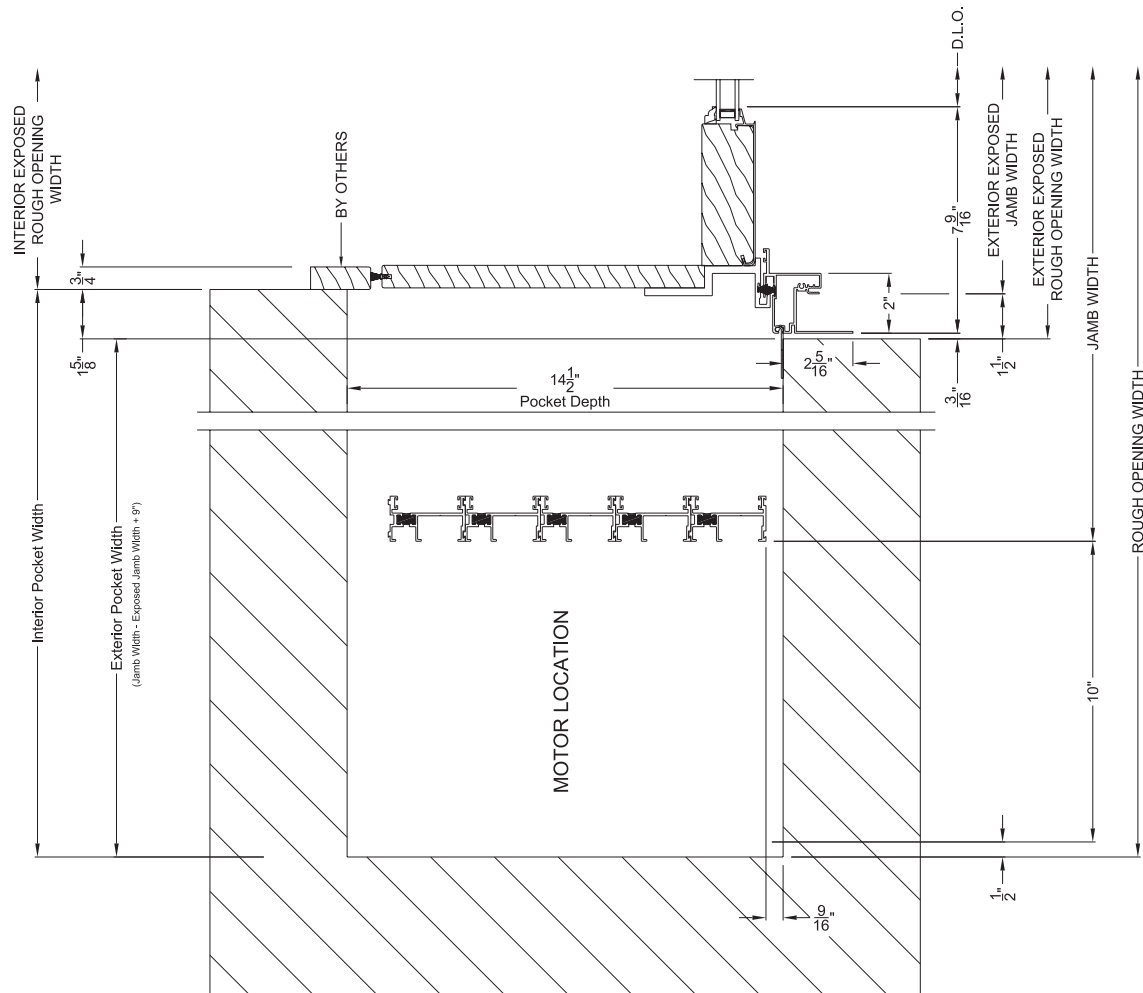


**PREMIUM 1-3/4" MULTI-SLIDE PATIO DOOR (8719)**  
Horizontal Pocket Section - 5 or Bi-parting 10 Panel Door

Note: All dimensions are approximate. Weather Shield reserves the right to change specifications without notice.

# PREMIUM SERIES 5-PANEL OR BI-PARTING 10-PANEL 1-3/4" MULTI-SLIDE DOORS (8719)

## Cross Sections

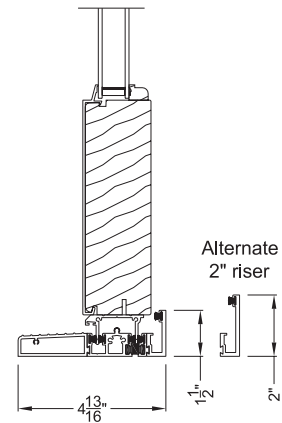
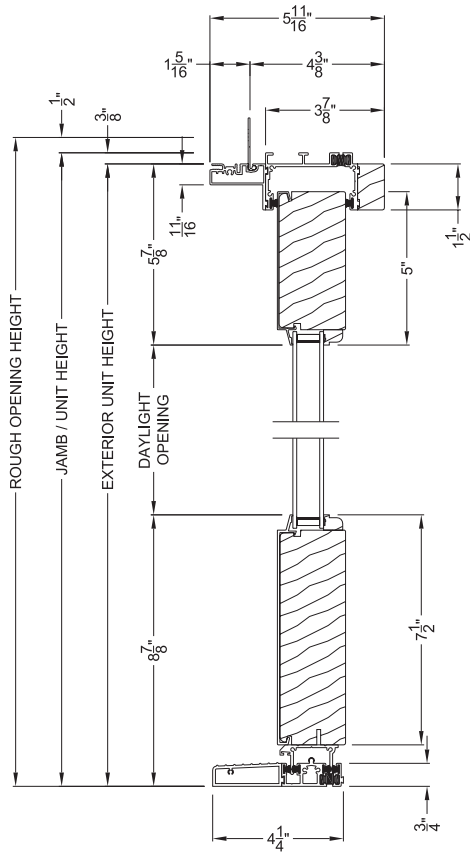


**PREMIUM 1-3/4" MULTI-SLIDE PATIO DOOR (8719)**  
Horizontal Motorized Pocket Section - 5 or Bi-parting 10 Panel Door

Note: All dimensions are approximate. Weather Shield reserves the right to change specifications without notice.

# PREMIUM SERIES 1-PANEL OR BI-PARTING 2-PANEL 2-1/4" MULTI-SLIDE DOORS (8721)

## Cross Sections

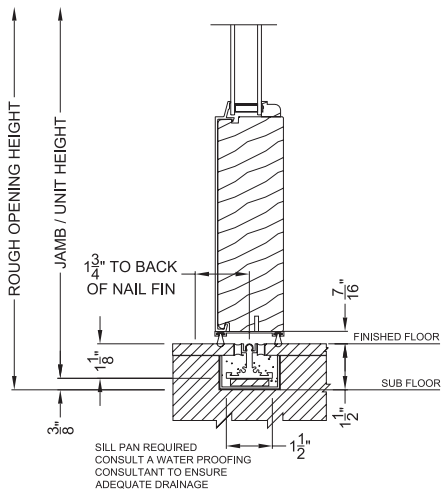


**PREMIUM 2-1/4" MULTI-SLIDE PATIO DOOR (8721)**

Vertical Section - Flush Sill - 1 or Bi-parting 2 Panel Door

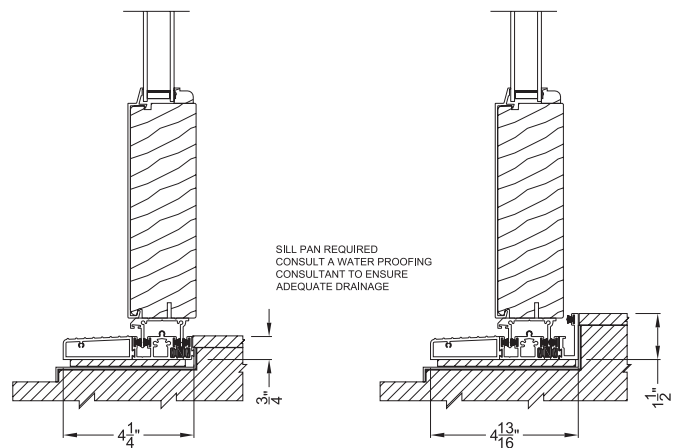
**PREMIUM 2-1/4" MULTI-SLIDE PATIO DOOR (8721)**

Vertical Section - with Sill Riser - 1 or Bi-parting 2 Panel Door



**PREMIUM 2-1/4" MULTI-SLIDE PATIO DOOR (8721)**

Vertical Section - with T-track sill - 1 or Bi-parting 2 Panel Door



**PREMIUM 2-1/4" MULTI-SLIDE PATIO DOOR (8721)**

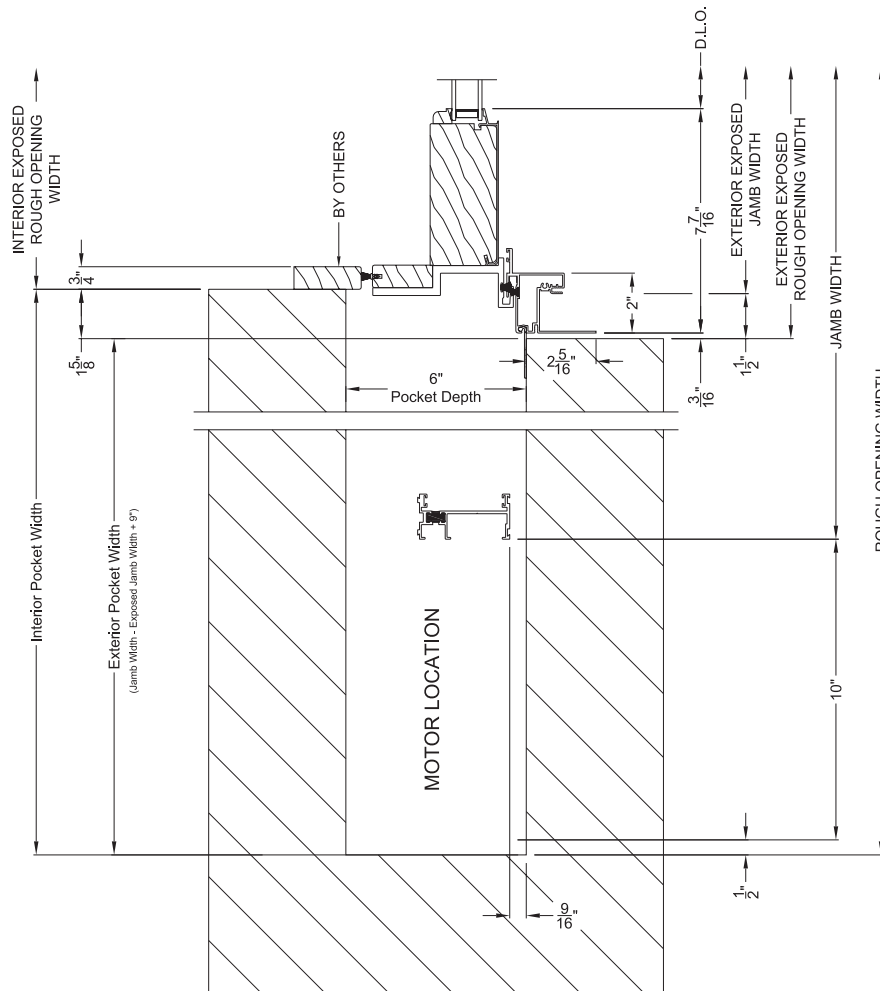
Vertical Section - With sill pan

Note: All dimensions are approximate. Weather Shield reserves the right to change specifications without notice.



# PREMIUM SERIES 1-PANEL OR BI-PARTING 2-PANEL 2-1/4" MULTI-SLIDE DOORS (8721)

## Cross Sections



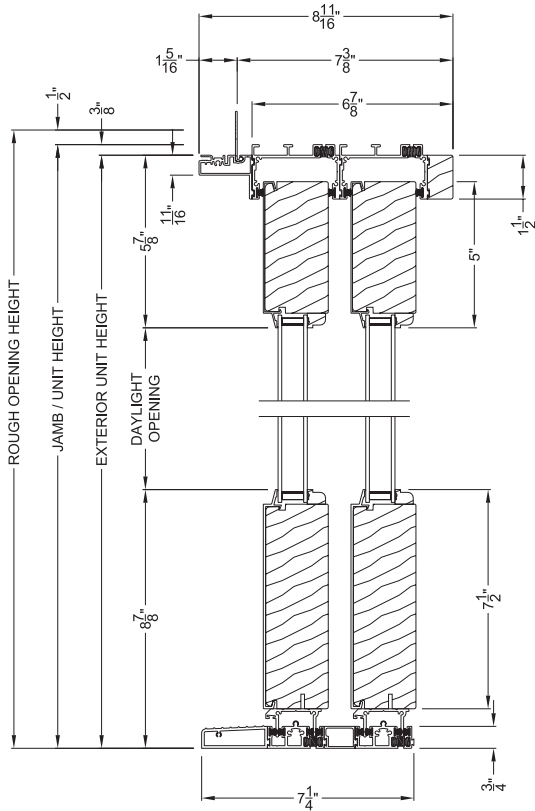
**PREMIUM 2-1/4" MULTI-SLIDE PATIO DOOR (8721)**

Horizontal Motorized Pocket Section - 1 or Bi-parting 2 Panel Door

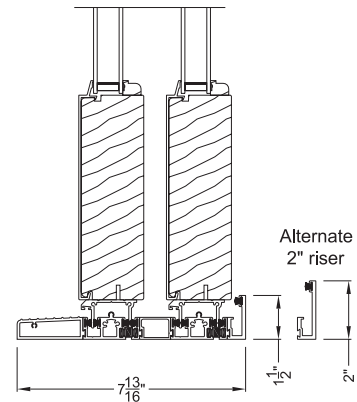
Note: All dimensions are approximate. Weather Shield reserves the right to change specifications without notice.

# PREMIUM SERIES 2-PANEL OR BI-PARTING 4-PANEL 2-1/4" MULTI-SLIDE DOORS (8721)

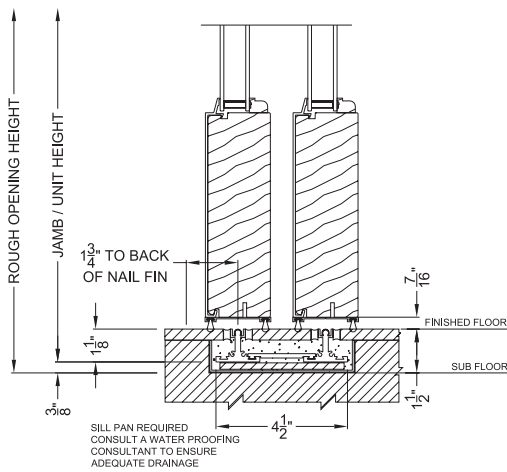
## Cross Sections



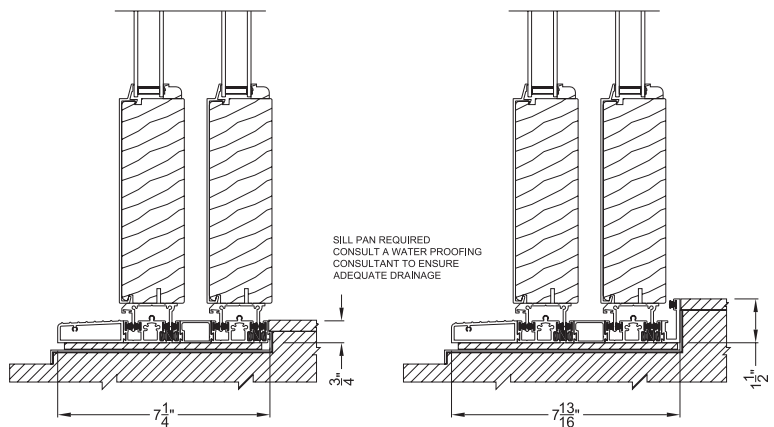
**PREMIUM 2-1/4" MULTI-SLIDE PATIO DOOR (8721)**  
Vertical Section - Flush Sill - 2 or Bi-parting 4 Panel Door



**PREMIUM 2-1/4" MULTI-SLIDE PATIO DOOR (8721)**  
Vertical Section - with Sill Riser - 2 or Bi-parting 4 Panel Door



**PREMIUM 2-1/4" MULTI-SLIDE PATIO DOOR (8721)**  
Vertical Section - with T-track sill - 2 or Bi-parting 4 Panel Door



**PREMIUM 2-1/4" MULTI-SLIDE PATIO DOOR (8721)**  
Vertical Section - With sill pan

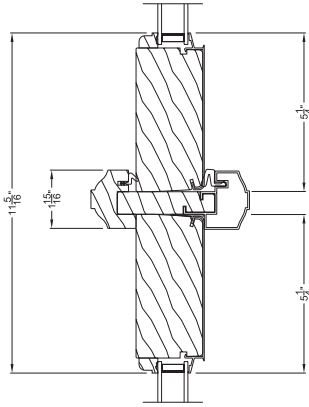
Note: All dimensions are approximate. Weather Shield reserves the right to change specifications without notice.



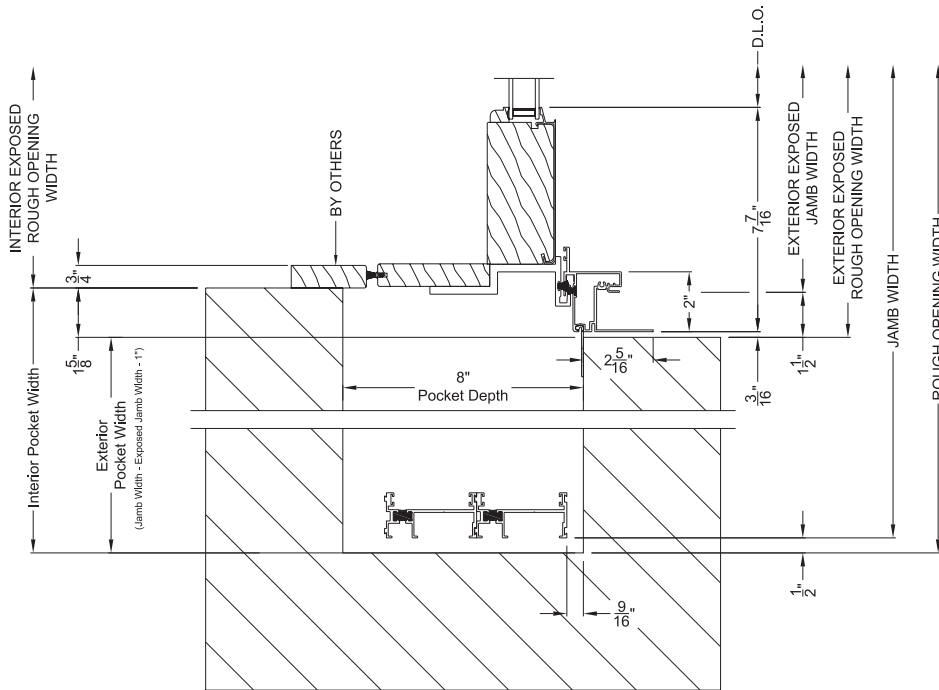


# PREMIUM SERIES 2-PANEL OR BI-PARTING 4-PANEL 2-1/4" MULTI-SLIDE DOORS (8721)

## Cross Sections



**PREMIUM 2-1/4" MULTI-SLIDE PATIO DOOR (8721)**  
Horizontal Section - Bi-parting stiles

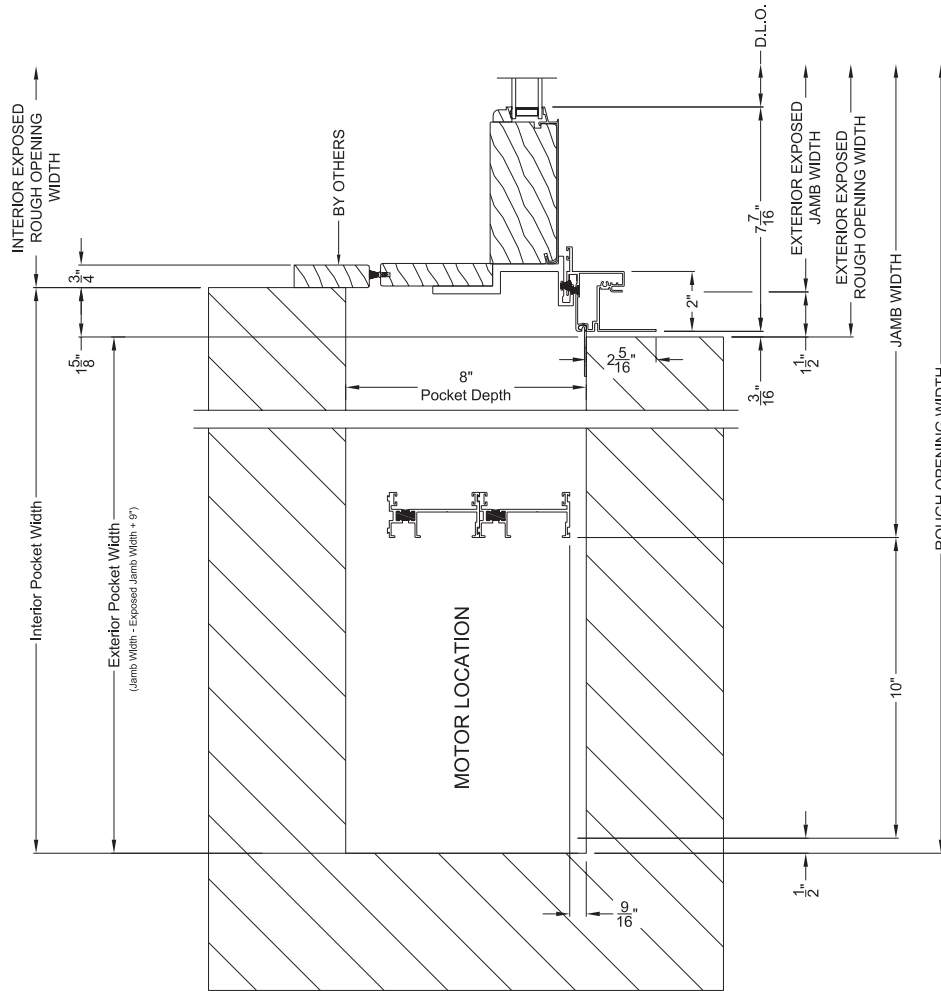


**PREMIUM 2-1/4" MULTI-SLIDE PATIO DOOR (8721)**  
Horizontal Pocket Section - 2 or Bi-parting 4 Panel Door

Note: All dimensions are approximate. Weather Shield reserves the right to change specifications without notice.

# PREMIUM SERIES 2-PANEL OR BI-PARTING 4-PANEL 2-1/4" MULTI-SLIDE DOORS (8721)

## Cross Sections

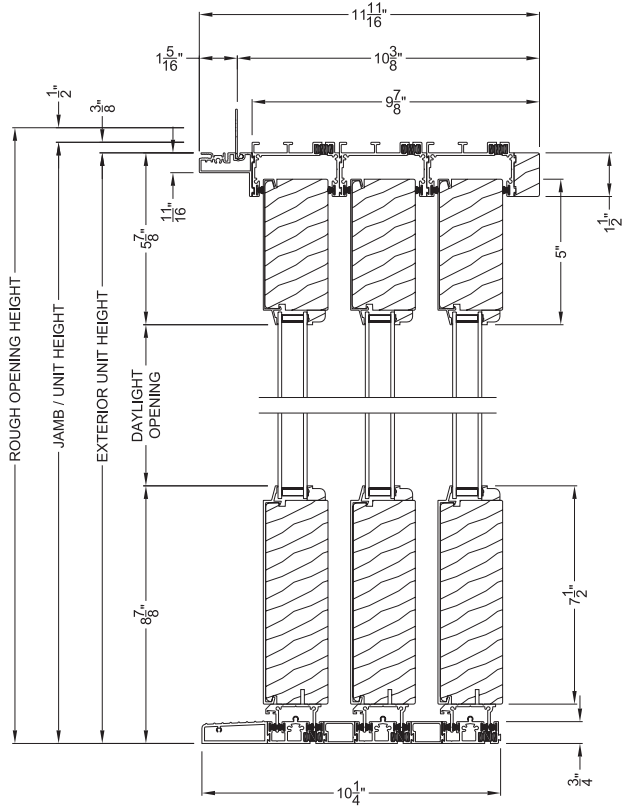


**PREMIUM 2-1/4" MULTI-SLIDE PATIO DOOR (8721)**  
Horizontal Motorized Pocket Section - 2 or Bi-parting 4 Panel Door

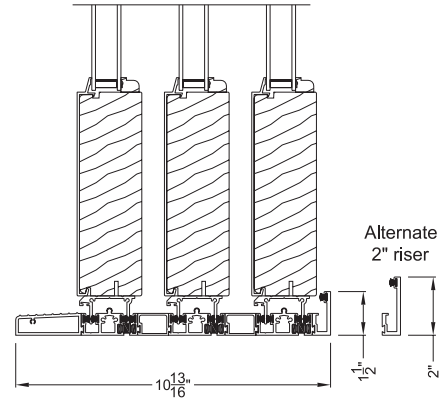
Note: All dimensions are approximate. Weather Shield reserves the right to change specifications without notice.

# PREMIUM SERIES 3-PANEL OR BI-PARTING 6-PANEL 2-1/4" MULTI-SLIDE DOORS (8721)

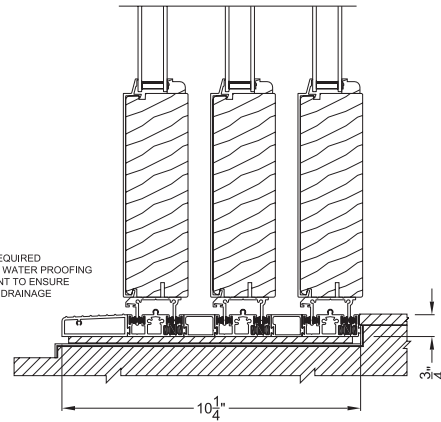
## Cross Sections



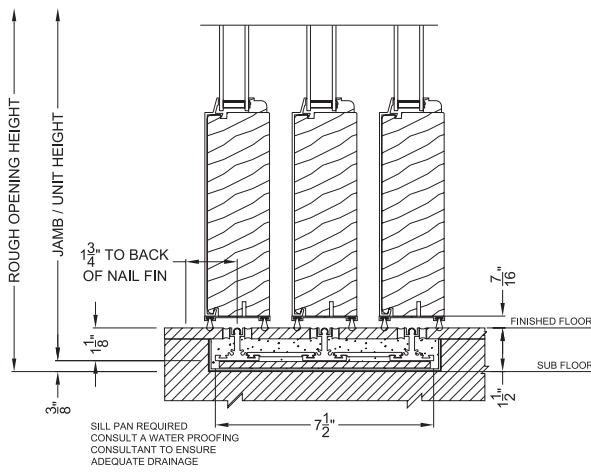
**PREMIUM 2-1/4" MULTI-SLIDE PATIO DOOR (8721)**  
Vertical Section - Flush Sill - 3 or Bi-parting 6 Panel Door



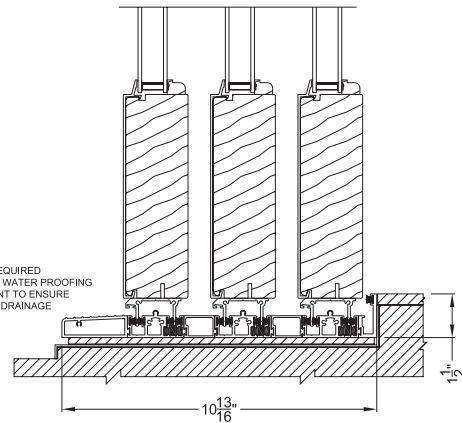
**PREMIUM 2-1/4" MULTI-SLIDE PATIO DOOR (8721)**  
Vertical Section - with Sill Riser - 3 or Bi-parting 6 Panel Door



**PREMIUM 2-1/4" MULTI-SLIDE PATIO DOOR (8721)**  
Vertical Section - With sill pan



**PREMIUM 2-1/4" MULTI-SLIDE PATIO DOOR (8721)**  
Vertical Section - with T-track sill - 3 or Bi-parting 6 Panel Door



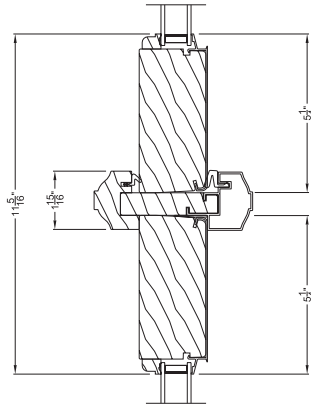
**PREMIUM 2-1/4" MULTI-SLIDE PATIO DOOR (8721)**  
Vertical Section - With sill pan

Note: All dimensions are approximate. Weather Shield reserves the right to change specifications without notice.

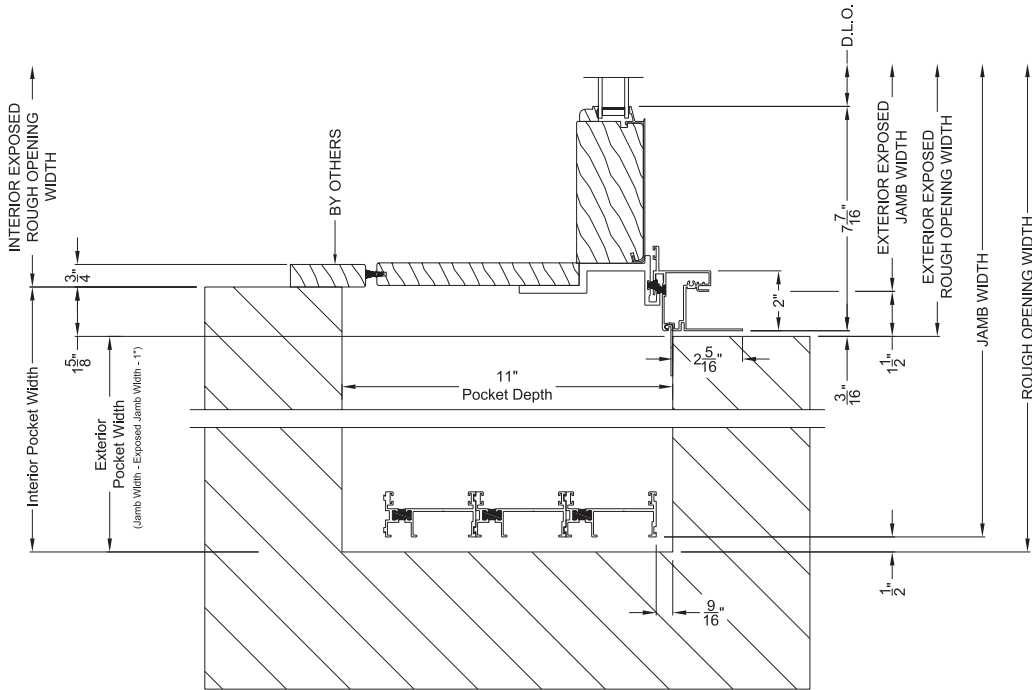


# PREMIUM SERIES 3-PANEL OR BI-PARTING 6-PANEL 2-1/4" MULTI-SLIDE DOORS (8721)

## Cross Sections



**PREMIUM 2-1/4" MULTI-SLIDE PATIO DOOR (8721)**  
Horizontal Section - Bi-parting stiles

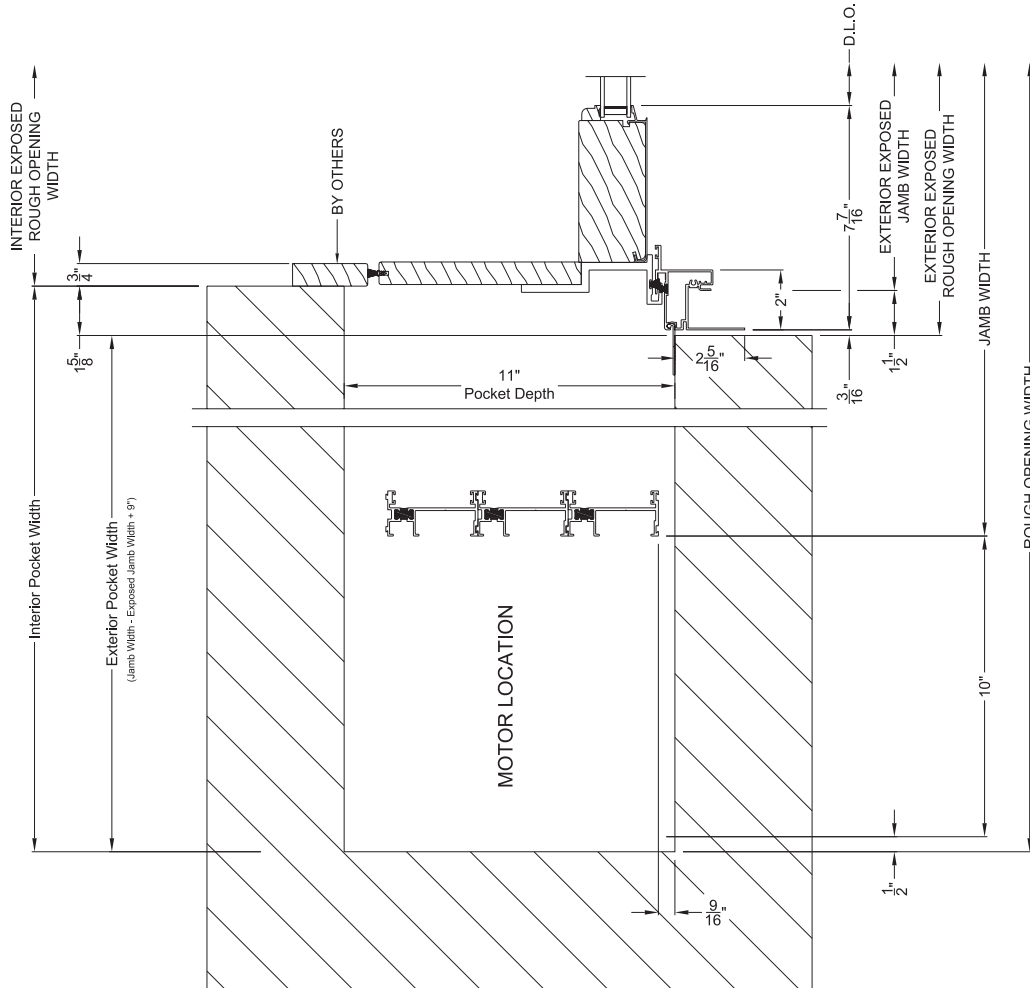


**PREMIUM 2-1/4" MULTI-SLIDE PATIO DOOR (8721)**  
Horizontal Pocket Section - 3 or Bi-parting 6 Panel Door

Note: All dimensions are approximate. Weather Shield reserves the right to change specifications without notice.

# PREMIUM SERIES 3-PANEL OR BI-PARTING 6-PANEL 2-1/4" MULTI-SLIDE DOORS (8721)

## Cross Sections

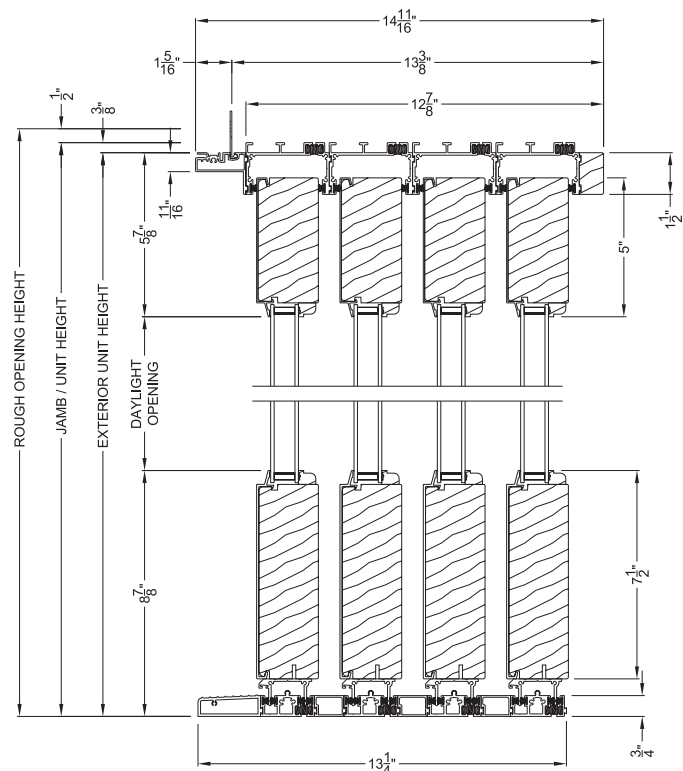


**PREMIUM 2-1/4" MULTI-SLIDE PATIO DOOR (8721)**  
Horizontal Motorized Pocket Section - 3 or Bi-parting 6 Panel Door

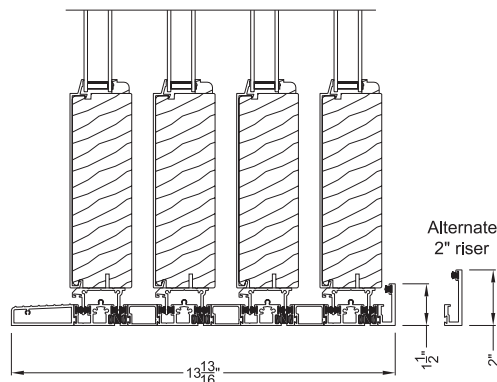
Note: All dimensions are approximate. Weather Shield reserves the right to change specifications without notice.

# PREMIUM SERIES 4-PANEL OR BI-PARTING 8-PANEL 2-1/4" MULTI-SLIDE DOORS (8721)

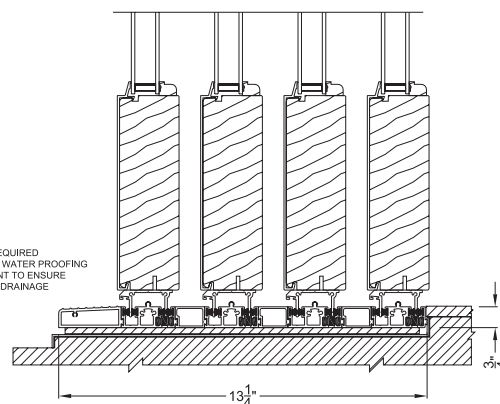
## Cross Sections



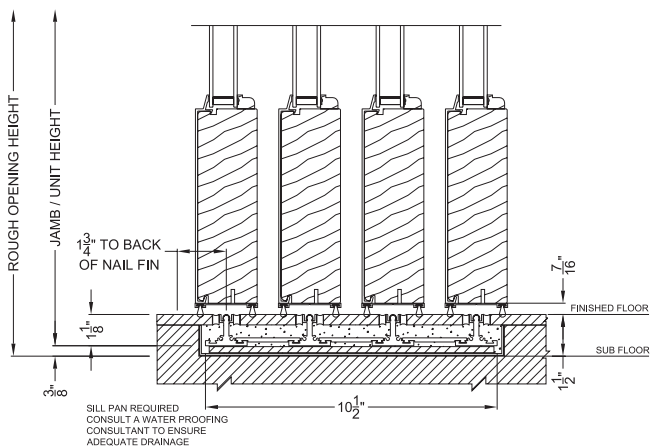
**PREMIUM 2-1/4" MULTI-SLIDE PATIO DOOR (8721)**  
Vertical Section - Flush Sill - 4 or Bi-parting 8 Panel Door



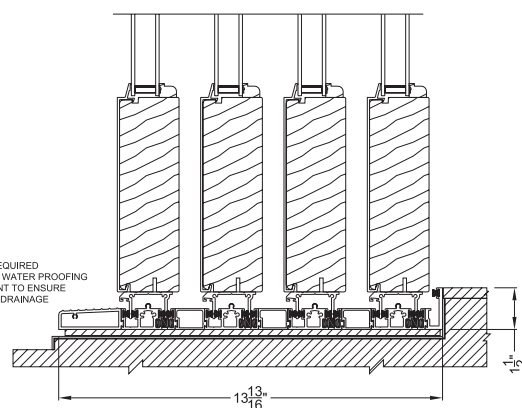
**PREMIUM 2-1/4" MULTI-SLIDE PATIO DOOR (8721)**  
Vertical Section - with Sill Riser - 4 or Bi-parting 8 Panel Door



**PREMIUM 2-1/4" MULTI-SLIDE PATIO DOOR (8721)**  
Vertical Section - With sill pan



**PREMIUM 2-1/4" MULTI-SLIDE PATIO DOOR (8721)**  
Vertical Section - with T-track sill - 4 or Bi-parting 8 Panel Door



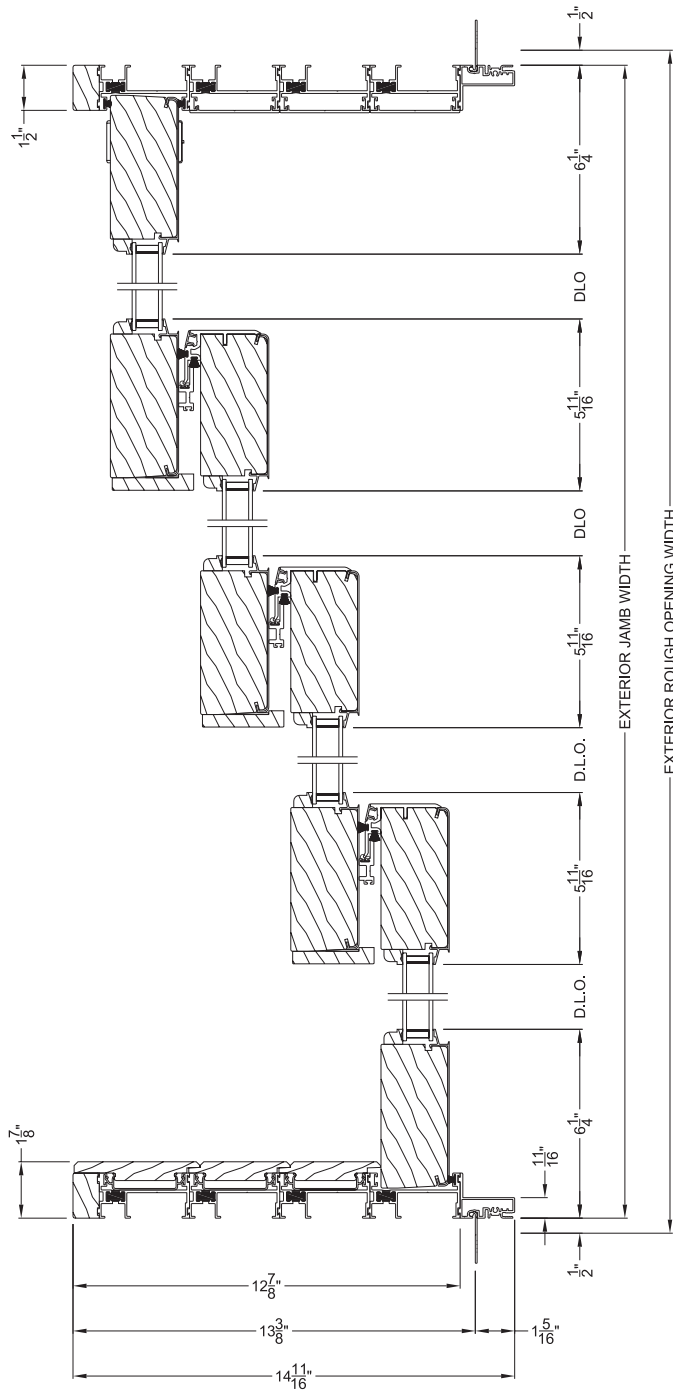
**PREMIUM 2-1/4" MULTI-SLIDE PATIO DOOR (8721)**  
Vertical Section - With sill pan

Note: All dimensions are approximate. Weather Shield reserves the right to change specifications without notice.



# PREMIUM SERIES 4-PANEL 2-1/4" MULTI-SLIDE DOORS (8721)

## Cross Sections

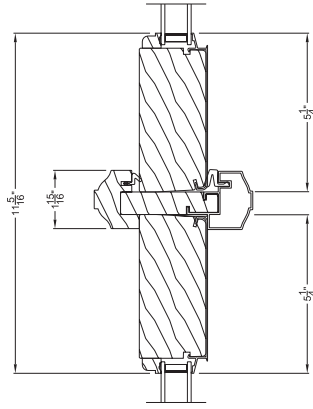


**PREMIUM 2-1/4" MULTI-SLIDE PATIO DOOR (8721)**  
Horizontal Section - 4 Panel Door

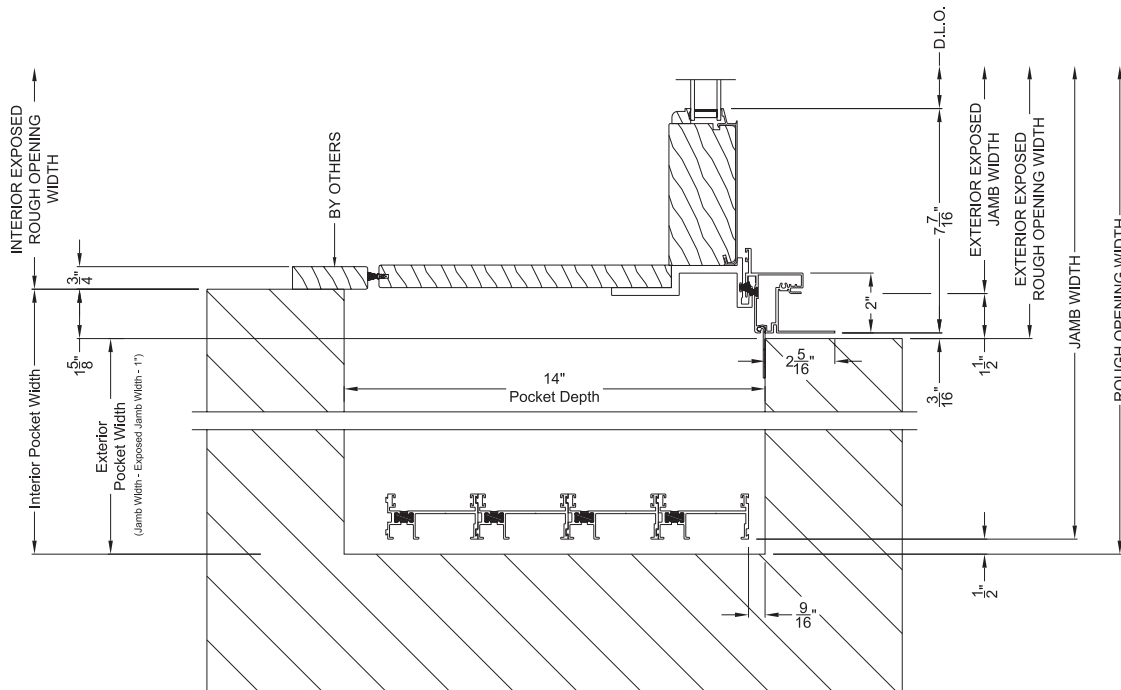
Note: All dimensions are approximate. Weather Shield reserves the right to change specifications without notice.

# PREMIUM SERIES 4-PANEL OR BI-PARTING 8-PANEL 2-1/4" MULTI-SLIDE DOORS (8721)

## Cross Sections



**PREMIUM 2-1/4" MULTI-SLIDE PATIO DOOR (8721)**  
Horizontal Section - Bi-parting stiles

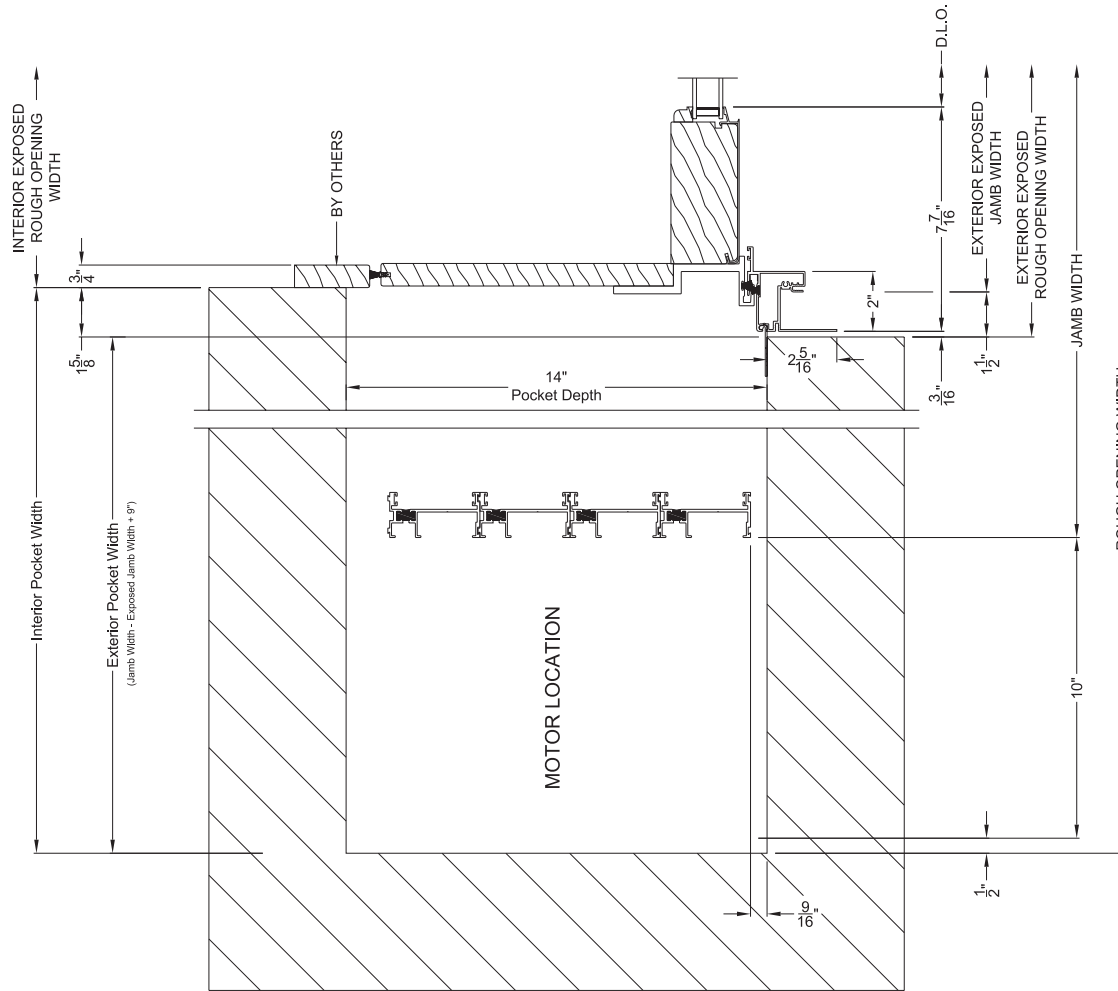


**PREMIUM 2-1/4" MULTI-SLIDE PATIO DOOR (8721)**  
Horizontal Pocket Section - 4 or Bi-parting 8 Panel Door

Note: All dimensions are approximate. Weather Shield reserves the right to change specifications without notice.

# PREMIUM SERIES 4-PANEL OR BI-PARTING 8-PANEL 2-1/4" MULTI-SLIDE DOORS (8721)

## Cross Sections



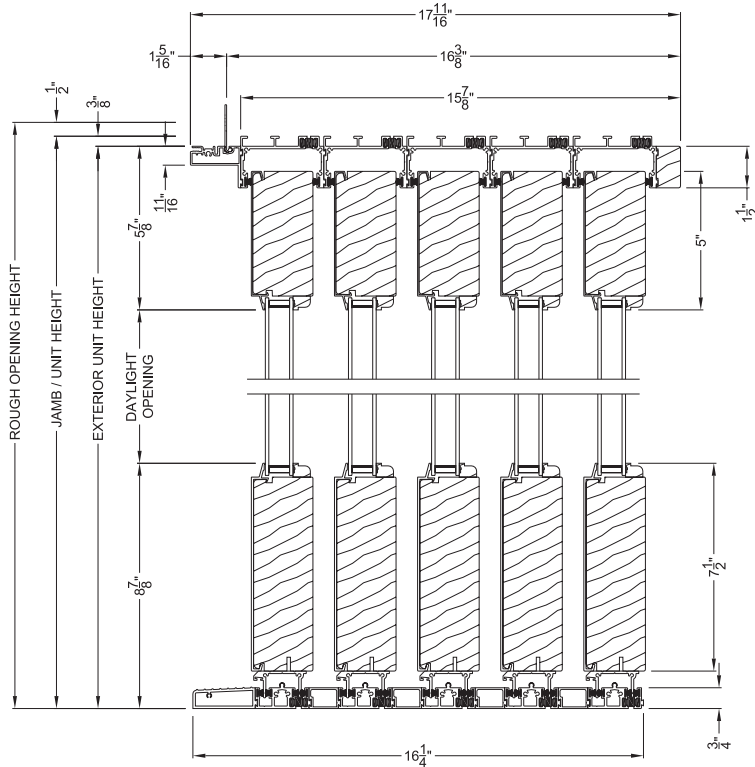
**PREMIUM 2-1/4" MULTI-SLIDE PATIO DOOR (8721)**

Horizontal Motorized Pocket Section - 4 or Bi-parting 8 Panel Door

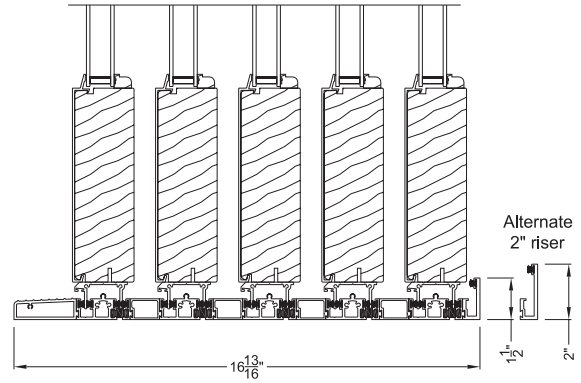
Note: All dimensions are approximate. Weather Shield reserves the right to change specifications without notice.

# PREMIUM SERIES 5-PANEL OR BI-PARTING 10-PANEL 2-1/4" MULTI-SLIDE DOORS (8721)

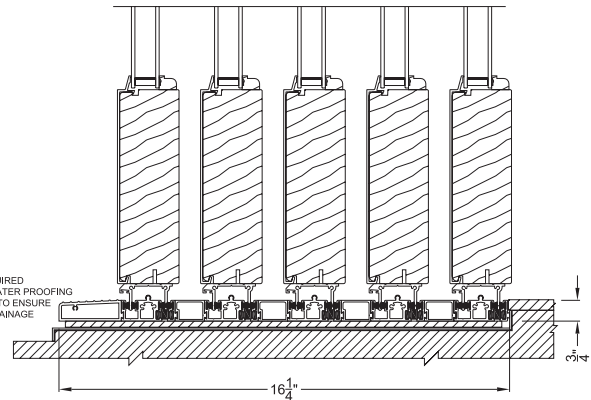
## Cross Sections



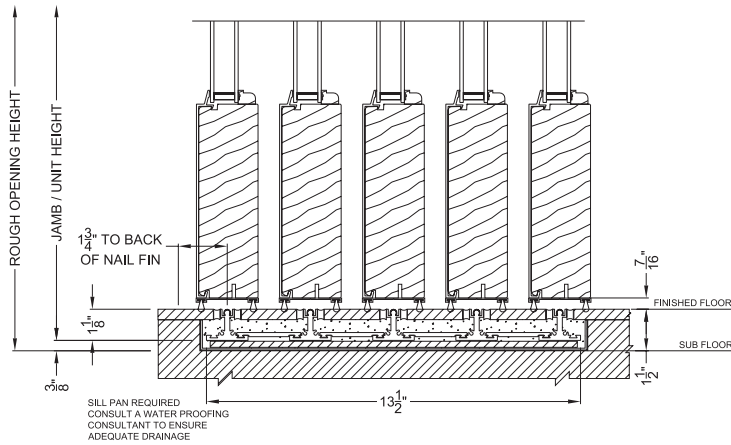
**PREMIUM 2-1/4" MULTI-SLIDE PATIO DOOR (8721)**  
Vertical Section - Flush Sill - 5 or Bi-parting 10 Panel Door



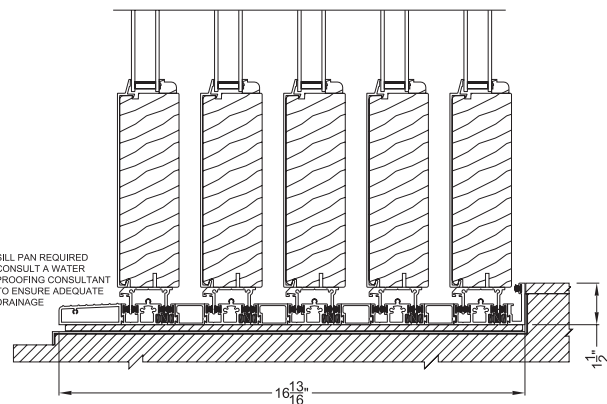
**PREMIUM 2-1/4" MULTI-SLIDE PATIO DOOR (8721)**  
Vertical Section - with Sill Riser - 5 or Bi-parting 10 Panel Door



**PREMIUM 2-1/4" MULTI-SLIDE PATIO DOOR (8721)**  
Vertical Section - with sill pan



**PREMIUM 2-1/4" MULTI-SLIDE PATIO DOOR (8721)**  
Vertical Section - with T-track sill - 5 or Bi-parting 10 Panel Door



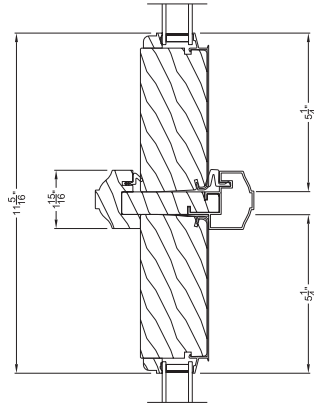
**PREMIUM 2-1/4" MULTI-SLIDE PATIO DOOR (8721)**  
Vertical Section - with sill pan

Note: All dimensions are approximate. Weather Shield reserves the right to change specifications without notice.

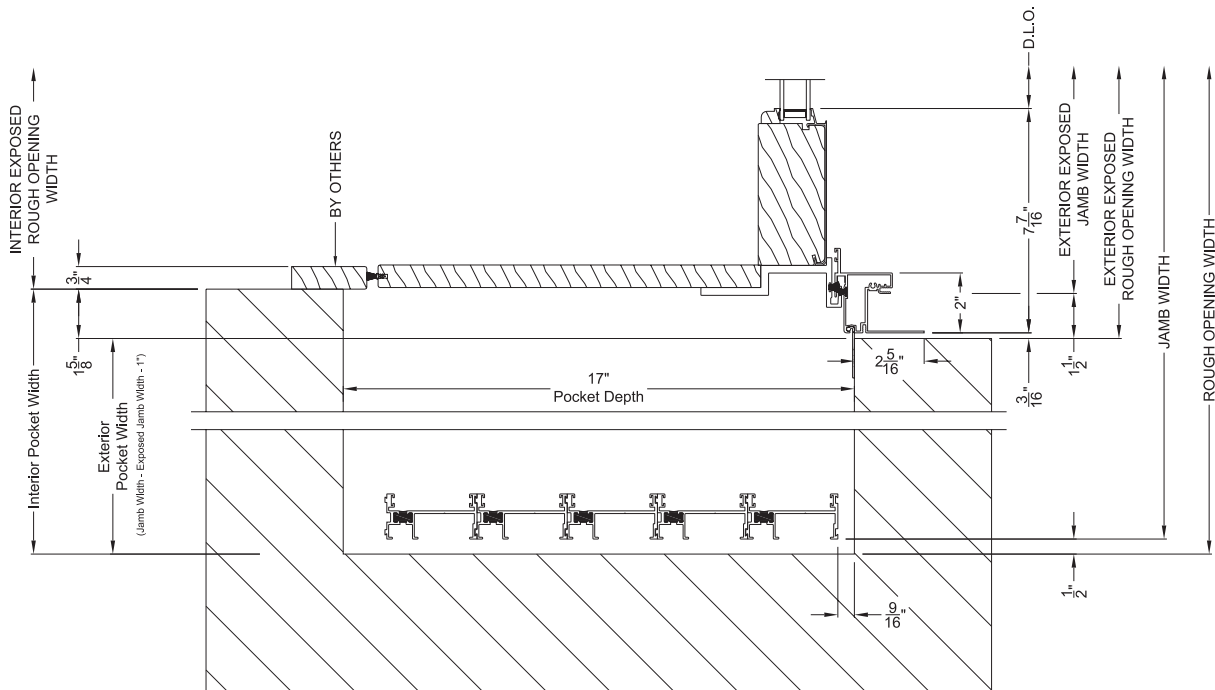


# PREMIUM SERIES 5-PANEL OR BI-PARTING 10-PANEL 2-1/4" MULTI-SLIDE DOORS (8721)

## Cross Sections



**PREMIUM 2-1/4" MULTI-SLIDE PATIO DOOR (8721)**  
Horizontal Section - Bi-parting stiles

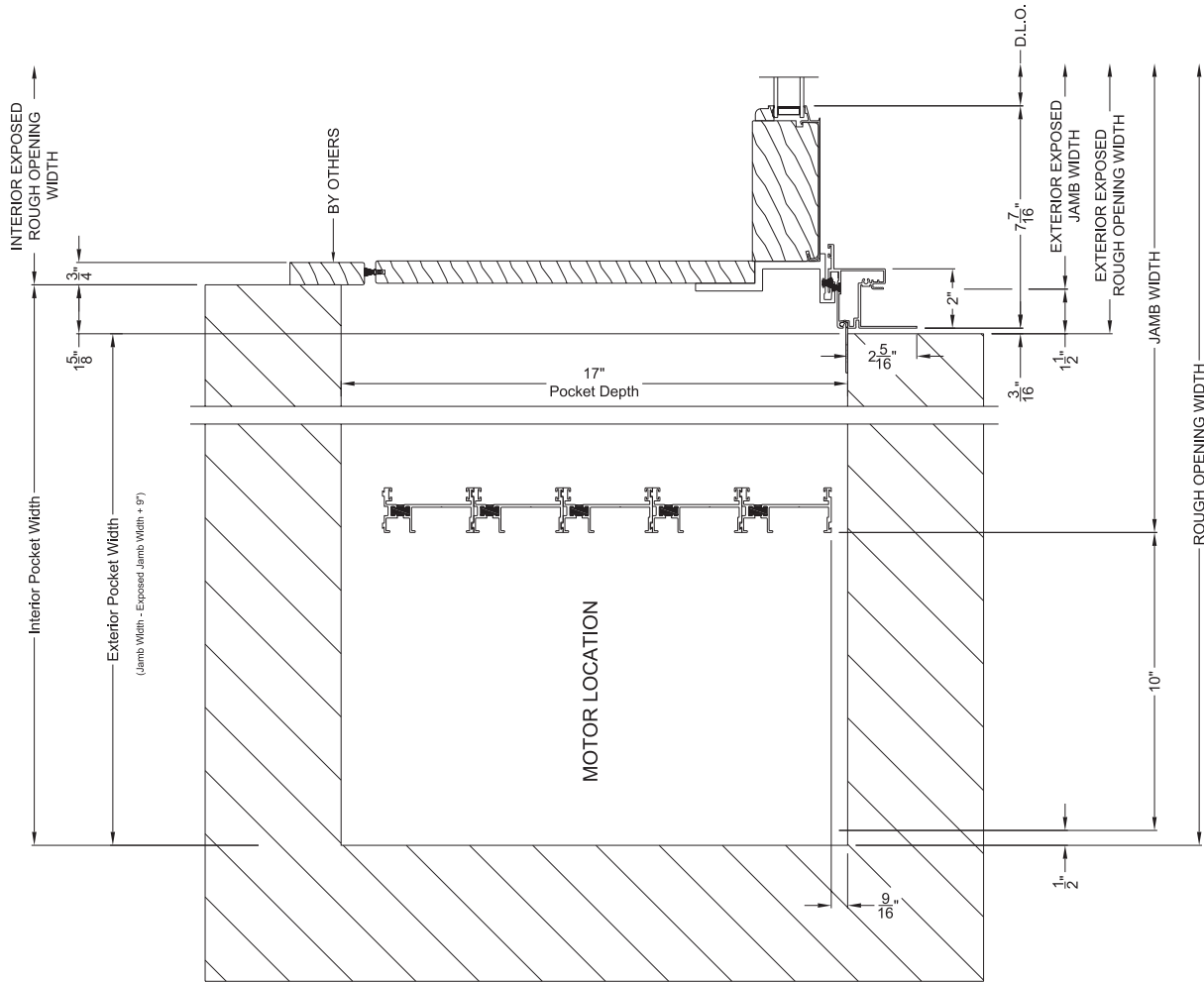


**PREMIUM 2-1/4" MULTI-SLIDE PATIO DOOR (8721)**  
Horizontal Pocket Section - 5 or Bi-parting 10 Panel Door

Note: All dimensions are approximate. Weather Shield reserves the right to change specifications without notice.

# PREMIUM SERIES 5-PANEL OR BI-PARTING 10-PANEL 2-1/4" MULTI-SLIDE DOORS (8721)

## Cross Sections



**PREMIUM 2-1/4" MULTI-SLIDE PATIO DOOR (8721)**  
Horizontal Motorized Pocket Section - 5 or Bi-parting 10 Panel Door

Note: All dimensions are approximate. Weather Shield reserves the right to change specifications without notice.

# PREMIUM SERIES MULTI-SLIDE DOORS SINGLE DIRECTION (8719/8721)

## Opening Specifications

Unit Code	Sq. Ft. Clear Opening / Vent				Clear Opening					Sq. Ft. DLO 7-1/2" Rail	Sq. Ft. DLO 10" Rail	Sq. Ft. Overall Unit Area <sup>a</sup>	
	Flush Sill	1.5" Riser	2" Riser	T-Track	Width	Height Flush Sill	Height 1.5" Riser	Height 2" Riser	Height T-Track <sup>b</sup>				
2 Panel Doors	3-0 x 6-8	15.51	15.40	15.29	15.51	29.29	76.26	75.70	75.20	76.26	22.58	21.70	37.98
	4-0 x 6-8	21.86	21.70	21.56	21.86	41.29	76.26	75.70	75.20	76.26	33.24	31.94	51.15
	5-0 x 6-8	28.22	28.01	27.83	28.22	53.29	76.26	75.70	75.20	76.26	43.90	42.18	64.33
	3-0 x 6-10	16.02	15.90	15.80	16.02	29.29	78.76	78.20	77.70	78.76	23.48	22.58	39.18
	4-0 x 6-10	22.58	22.42	22.28	22.58	41.29	78.76	78.20	77.70	78.76	34.54	33.24	52.77
	5-0 x 6-10	29.15	28.94	28.75	29.15	53.29	78.76	78.20	77.70	78.76	45.62	43.90	66.36
	3-0 x 7-2	16.83	16.72	16.62	16.83	29.29	82.76	82.20	81.70	82.76	24.88	24.00	41.10
	4-0 x 7-2	23.73	23.57	23.42	23.73	41.29	82.76	82.20	81.70	82.76	36.62	35.32	55.36
	5-0 x 7-2	30.63	30.42	30.23	30.63	53.29	82.76	82.20	81.70	82.76	48.36	46.64	69.62
	3-0 x 8-0	18.87	18.75	18.65	18.87	29.29	92.76	92.20	91.70	92.76	28.42	27.54	45.90
	4-0 x 8-0	26.60	26.43	26.29	26.60	41.29	92.76	92.20	91.70	92.76	41.82	40.52	61.83
	5-0 x 8-0	34.33	34.12	33.93	34.33	53.29	92.76	92.20	91.70	92.76	55.24	53.52	77.76
	3-0 x 8-2	19.27	19.16	19.06	19.27	29.29	94.76	94.20	93.70	94.76	29.12	28.24	46.86
	4-0 x 8-2	27.17	27.01	26.86	27.17	41.29	94.76	94.20	93.70	94.76	42.86	41.56	63.12
	5-0 x 8-2	35.07	34.86	34.67	35.07	53.29	94.76	94.20	93.70	94.76	56.60	54.88	79.38
	3-0 x 9-0	21.31	21.19	21.09	21.31	29.29	104.76	104.20	103.70	104.76	32.66	31.78	51.67
	4-0 x 9-0	30.04	29.87	29.73	30.04	41.29	104.76	104.20	103.70	104.76	48.06	46.76	69.59
	5-0 x 9-0	38.77	38.56	38.37	38.77	53.29	104.76	104.20	103.70	104.76	63.48	61.76	87.52
	3-0 x 9-2	21.71	21.60	21.50	21.71	29.29	106.76	106.20	105.70	106.76	33.36	32.48	52.63
	4-0 x 9-2	30.61	30.45	30.30	30.61	41.29	106.76	106.20	105.70	106.76	49.10	47.80	70.89
5-0 x 9-2	39.51	39.30	39.11	39.51	53.29	106.76	106.20	105.70	106.76	64.84	63.12	89.15	
3-0 x 10-0*	23.75	23.63	23.53	23.75	29.29	116.76	116.20	115.70	116.76	36.90	36.02	57.43	
4-0 x 10-0*	33.48	33.32	33.17	33.48	41.29	116.76	116.20	115.70	116.76	54.30	53.00	77.36	
5-0 x 10-0*	43.21	43.00	42.81	43.21	53.29	116.76	116.20	115.70	116.76	71.72	70.00	97.28	
3 Panel Doors	3-0 x 6-8	32.01	31.77	31.56	32.01	60.44	76.26	75.70	75.20	76.26	33.87	32.55	55.08
	4-0 x 6-8	44.72	44.39	44.10	44.72	84.44	76.26	75.70	75.20	76.26	49.86	47.91	74.85
	5-0 x 6-8	57.43	57.01	56.63	57.43	108.44	76.26	75.70	75.20	76.26	65.85	63.27	94.61
	3-0 x 6-10	33.06	32.82	32.61	33.06	60.44	78.76	78.20	77.70	78.76	35.22	33.87	56.82
	4-0 x 6-10	46.19	45.86	45.56	46.19	84.44	78.76	78.20	77.70	78.76	51.81	49.86	77.22
	5-0 x 6-10	59.31	58.89	58.51	59.31	108.44	78.76	78.20	77.70	78.76	68.43	65.85	97.61
	3-0 x 7-2	34.74	34.50	34.29	34.74	60.44	82.76	82.20	81.70	82.76	37.32	36.00	59.61
	4-0 x 7-2	48.53	48.20	47.91	48.53	84.44	82.76	82.20	81.70	82.76	54.93	52.98	81.00
	5-0 x 7-2	62.33	61.90	61.53	62.33	108.44	82.76	82.20	81.70	82.76	72.54	69.96	102.39
	3-0 x 8-0	38.94	38.70	38.49	38.94	60.44	92.76	92.20	91.70	92.76	42.63	41.31	66.58
	4-0 x 8-0	54.40	54.07	53.77	54.40	84.44	92.76	92.20	91.70	92.76	62.73	60.78	90.47
	5-0 x 8-0	69.86	69.43	69.06	69.86	108.44	92.76	92.20	91.70	92.76	82.86	80.28	114.36
	3-0 x 8-2	39.78	39.54	39.33	39.78	60.44	94.76	94.20	93.70	94.76	43.68	42.36	67.97
	4-0 x 8-2	55.57	55.24	54.95	55.57	84.44	94.76	94.20	93.70	94.76	64.29	62.34	92.36
	5-0 x 8-2	71.36	70.94	70.56	71.36	108.44	94.76	94.20	93.70	94.76	84.90	82.32	116.75
	3-0 x 9-0	43.97	43.74	43.53	43.97	60.44	104.76	104.20	103.70	104.76	48.99	47.67	74.94
	4-0 x 9-0	61.43	61.10	60.81	61.43	84.44	104.76	104.20	103.70	104.76	72.09	70.14	101.83
	5-0 x 9-0	78.89	78.47	78.09	78.89	108.44	104.76	104.20	103.70	104.76	95.22	92.64	128.72
	3-0 x 9-2	44.81	44.58	44.37	44.81	60.44	106.76	106.20	105.70	106.76	50.04	48.72	76.33
	4-0 x 9-2	62.61	62.28	61.98	62.61	84.44	106.76	106.20	105.70	106.76	73.65	71.70	103.72
5-0 x 9-2	80.40	79.98	79.60	80.40	108.44	106.76	106.20	105.70	106.76	97.26	94.68	131.11	
3-0 x 10-0*	49.01	48.77	48.56	49.01	60.44	116.76	116.20	115.70	116.76	55.35	54.03	83.30	
4-0 x 10-0*	68.47	68.14	67.85	68.47	84.44	116.76	116.20	115.70	116.76	81.45	79.50	113.19	
5-0 x 10-0*	87.93	87.51	87.13	87.93	108.44	116.76	116.20	115.70	116.76	107.58	105.00	143.08	
4 Panel Doors	3-0 x 6-8	48.51	48.15	47.83	48.51	91.60	76.26	75.70	75.20	76.26	45.16	43.40	72.19
	4-0 x 6-8	67.58	67.08	66.63	67.58	127.60	76.26	75.70	75.20	76.26	66.48	63.88	98.54
	5-0 x 6-8	86.64	86.00	85.43	86.64	163.60	76.26	75.70	75.20	76.26	87.80	84.36	124.90
	3-0 x 6-10	50.10	49.74	49.43	50.10	91.60	78.76	78.20	77.70	78.76	46.96	45.16	74.47
	4-0 x 6-10	69.79	69.29	68.85	69.79	127.60	78.76	78.20	77.70	78.76	69.08	66.48	101.66
	5-0 x 6-10	89.48	88.84	88.27	89.48	163.60	78.76	78.20	77.70	78.76	91.24	87.80	128.85
	3-0 x 7-2	52.65	52.29	51.97	52.65	91.60	82.76	82.20	81.70	82.76	49.76	48.00	78.12
	4-0 x 7-2	73.34	72.84	72.39	73.34	127.60	82.76	82.20	81.70	82.76	73.24	70.64	106.65
	5-0 x 7-2	94.03	93.39	92.82	94.03	163.60	82.76	82.20	81.70	82.76	96.72	93.28	135.17
	3-0 x 8-0	59.01	58.65	58.33	59.01	91.60	92.76	92.20	91.70	92.76	56.84	55.08	87.26
	4-0 x 8-0	82.20	81.70	81.26	82.20	127.60	92.76	92.20	91.70	92.76	83.64	81.04	119.11
	5-0 x 8-0	105.39	104.75	104.18	105.39	163.60	92.76	92.20	91.70	92.76	110.48	107.04	150.96
	3-0 x 8-2	60.28	59.92	59.60	60.28	91.60	94.76	94.20	93.70	94.76	58.24	56.48	89.08
	4-0 x 8-2	83.97	83.47	83.03	83.97	127.60	94.76	94.20	93.70	94.76	85.72	83.12	121.60
	5-0 x 8-2	107.66	107.02	106.45	107.66	163.60	94.76	94.20	93.70	94.76	113.20	109.76	154.12
	3-0 x 9-0	66.64	66.28	65.96	66.64	91.60	104.76	104.20	103.70	104.76	65.32	63.56	98.21
	4-0 x 9-0	92.83	92.33	91.89	92.83	127.60	104.76	104.20	103.70	104.76	96.12	93.52	134.07
	5-0 x 9-0	119.02	118.38	117.81	119.02	163.60	104.76	104.20	103.70	104.76	126.96	123.52	169.92
	3-0 x 9-2	67.91	67.55	67.24	67.91	91.60	106.76	106.20	105.70	106.76	66.72	64.96	100.04
	4-0 x 9-2	94.60	94.10	93.66	94.60	127.60	106.76	106.20	105.70	106.76	98.20	95.60	136.56
5-0 x 9-2	121.29	120.65	120.09	121.29	163.60	106.76	106.20	105.70	106.76	129.68	126.24	173.08	
3-0 x 10-0*	74.27	73.92	73.60	74.27	91.60	116.76	116.20	115.70	116.76	73.80	72.04	109.17	
4-0 x 10-0*	103.46	102.97	102.52	103.46	127.60	116.76	116.20	115.70	116.76	108.60	106.00	149.02	
5-0 x 10-0*	132.65	132.02	131.45	132.65	163.60	116.76	116.20	115.70	116.76	143.44	140.00	188.88	

MULTI-SLIDE DOORS



# PREMIUM SERIES MULTI-SLIDE DOORS SINGLE DIRECTION (8719/8721)

## Opening Specifications

	Unit Code	Sq. Ft. Clear Opening / Vent				Clear Opening					Sq. Ft. DLO 7-1/2" Rail	Sq. Ft. DLO 10" Rail	Sq. Ft. Overall Unit Area <sup>a</sup>
		Flush Sill	1.5" Riser	2" Riser	T-Track	Width	Height Flush Sill	Height 1.5" Riser	Height 2" Riser	Height T-Track <sup>b</sup>			
5 Panel Doors	3-0 x 6-8	65.01	64.53	64.11	65.01	122.76	76.26	75.70	75.20	76.26	56.45	54.25	89.30
	4-0 x 6-8	90.43	89.76	89.17	90.43	170.76	76.26	75.70	75.20	76.26	83.10	79.85	122.24
	5-0 x 6-8	115.85	115.00	114.24	115.85	218.76	76.26	75.70	75.20	76.26	109.75	105.45	155.18
	3-0 x 6-10	67.14	66.66	66.24	67.14	122.76	78.76	78.20	77.70	78.76	58.70	56.45	92.12
	4-0 x 6-10	93.40	92.73	92.14	93.40	170.76	78.76	78.20	77.70	78.76	86.35	83.10	126.10
	5-0 x 6-10	119.65	118.80	118.04	119.65	218.76	78.76	78.20	77.70	78.76	114.05	109.75	160.09
	3-0 x 7-2	70.55	70.07	69.65	70.55	122.76	82.76	82.20	81.70	82.76	62.20	60.00	96.64
	4-0 x 7-2	98.14	97.47	96.88	98.14	170.76	82.76	82.20	81.70	82.76	91.55	88.30	132.29
	5-0 x 7-2	125.73	124.87	124.11	125.73	218.76	82.76	82.20	81.70	82.76	120.90	116.60	167.94
	3-0 x 8-0	79.08	78.60	78.17	79.08	122.76	92.76	92.20	91.70	92.76	71.05	68.85	107.93
	4-0 x 8-0	110.00	109.33	108.74	110.00	170.76	92.76	92.20	91.70	92.76	104.55	101.30	147.75
	5-0 x 8-0	140.92	140.06	139.30	140.92	218.76	92.76	92.20	91.70	92.76	138.10	133.80	187.57
	3-0 x 8-2	80.78	80.30	79.88	80.78	122.76	94.76	94.20	93.70	94.76	72.80	70.60	110.19
	4-0 x 8-2	112.37	111.70	111.11	112.37	170.76	94.76	94.20	93.70	94.76	107.15	103.90	150.84
	5-0 x 8-2	143.96	143.10	142.34	143.96	218.76	94.76	94.20	93.70	94.76	141.50	137.20	191.49
	3-0 x 9-0	89.31	88.83	88.40	89.31	122.76	104.76	104.20	103.70	104.76	81.65	79.45	121.49
	4-0 x 9-0	124.23	123.56	122.97	124.23	170.76	104.76	104.20	103.70	104.76	120.15	116.90	166.30
	5-0 x 9-0	159.15	158.29	157.53	159.15	218.76	104.76	104.20	103.70	104.76	158.70	154.40	211.12
	3-0 x 9-2	91.01	90.53	90.11	91.01	122.76	106.76	106.20	105.70	106.76	83.40	81.20	123.74
	4-0 x 9-2	126.60	125.93	125.34	126.60	170.76	106.76	106.20	105.70	106.76	122.75	119.50	169.40
5-0 x 9-2	162.19	161.33	160.57	162.19	218.76	106.76	106.20	105.70	106.76	162.10	157.80	215.05	
3-0 x 10-0*	99.54	99.06	98.63	99.54	122.76	116.76	116.20	115.70	116.76	92.25	90.05	135.04	
4-0 x 10-0*	138.46	137.79	137.20	138.46	170.76	116.76	116.20	115.70	116.76	135.75	132.50	184.86	
5-0 x 10-0*	177.38	176.52	175.76	177.38	218.76	116.76	116.20	115.70	116.76	179.30	175.00	234.67	
1 Panel Pocket Doors	3-0 x 6-8	18.46	18.32	18.20	18.46	34.86	76.26	75.70	75.20	76.26	11.29	10.85	41.70
	4-0 x 6-8	24.81	24.63	24.47	24.81	46.86	76.26	75.70	75.20	76.26	16.62	15.97	54.87
	5-0 x 6-8	31.17	30.94	30.74	31.17	58.86	76.26	75.70	75.20	76.26	21.95	21.09	68.05
	3-0 x 6-10	19.06	18.93	18.81	19.06	34.86	78.76	78.20	77.70	78.76	11.74	11.29	43.01
	4-0 x 6-10	25.63	25.44	25.28	25.63	46.86	78.76	78.20	77.70	78.76	17.27	16.62	56.61
	5-0 x 6-10	32.19	31.96	31.76	32.19	58.86	78.76	78.20	77.70	78.76	22.81	21.95	70.20
	3-0 x 7-2	20.03	19.90	19.78	20.03	34.86	82.76	82.20	81.70	82.76	12.44	12.00	45.12
	4-0 x 7-2	26.93	26.75	26.58	26.93	46.86	82.76	82.20	81.70	82.76	18.31	17.66	59.38
	5-0 x 7-2	33.83	33.60	33.39	33.83	58.86	82.76	82.20	81.70	82.76	24.18	23.32	73.64
	3-0 x 8-0	22.45	22.32	22.20	22.45	34.86	92.76	92.20	91.70	92.76	14.21	13.77	50.40
	4-0 x 8-0	30.18	30.00	29.84	30.18	46.86	92.76	92.20	91.70	92.76	20.91	20.26	66.32
	5-0 x 8-0	37.91	37.68	37.48	37.91	58.86	92.76	92.20	91.70	92.76	27.62	26.76	82.25
	3-0 x 8-2	22.94	22.80	22.68	22.94	34.86	94.76	94.20	93.70	94.76	14.56	14.12	51.45
	4-0 x 8-2	30.83	30.65	30.49	30.83	46.86	94.76	94.20	93.70	94.76	21.43	20.78	67.71
	5-0 x 8-2	38.73	38.50	38.30	38.73	58.86	94.76	94.20	93.70	94.76	28.30	27.44	83.97
	3-0 x 9-0	25.36	25.22	25.10	25.36	34.86	104.76	104.20	103.70	104.76	16.33	15.89	56.73
	4-0 x 9-0	34.09	33.90	33.74	34.09	46.86	104.76	104.20	103.70	104.76	24.03	23.38	74.65
	5-0 x 9-0	42.82	42.59	42.38	42.82	58.86	104.76	104.20	103.70	104.76	31.74	30.88	92.58
	3-0 x 9-2	25.84	25.71	25.58	25.84	34.86	106.76	106.20	105.70	106.76	16.68	16.24	57.78
	4-0 x 9-2	34.74	34.56	34.39	34.74	46.86	106.76	106.20	105.70	106.76	24.55	23.90	76.04
5-0 x 9-2	43.64	43.41	43.20	43.64	58.86	106.76	106.20	105.70	106.76	32.42	31.56	94.30	
3-0 x 10-0*	28.26	28.13	28.01	28.26	34.86	116.76	116.20	115.70	116.76	18.45	18.01	63.05	
4-0 x 10-0*	37.99	37.81	37.65	37.99	46.86	116.76	116.20	115.70	116.76	27.15	26.50	82.98	
5-0 x 10-0*	47.72	47.49	47.29	47.72	58.86	116.76	116.20	115.70	116.76	35.86	35.00	102.91	
2 Panel Pocket Doors	3-0 x 6-8	34.96	34.70	34.47	34.96	66.01	76.26	75.70	75.20	76.26	22.58	21.70	58.80
	4-0 x 6-8	47.67	47.32	47.01	47.67	90.01	76.26	75.70	75.20	76.26	33.24	31.94	78.57
	5-0 x 6-8	60.38	59.93	59.54	60.38	114.01	76.26	75.70	75.20	76.26	43.90	42.18	98.33
	3-0 x 6-10	36.11	35.85	35.62	36.11	66.01	78.76	78.20	77.70	78.76	23.48	22.58	60.66
	4-0 x 6-10	49.23	48.88	48.57	49.23	90.01	78.76	78.20	77.70	78.76	34.54	33.24	81.05
	5-0 x 6-10	62.36	61.91	61.52	62.36	114.01	78.76	78.20	77.70	78.76	45.62	43.90	101.44
	3-0 x 7-2	37.94	37.68	37.45	37.94	66.01	82.76	82.20	81.70	82.76	24.88	24.00	63.64
	4-0 x 7-2	51.73	51.38	51.07	51.73	90.01	82.76	82.20	81.70	82.76	36.62	35.32	85.03
	5-0 x 7-2	65.53	65.08	64.69	65.53	114.01	82.76	82.20	81.70	82.76	48.36	46.64	106.42
	3-0 x 8-0	42.52	42.27	42.04	42.52	66.01	92.76	92.20	91.70	92.76	28.42	27.54	71.07
	4-0 x 8-0	57.98	57.63	57.32	57.98	90.01	92.76	92.20	91.70	92.76	41.82	40.52	94.96
	5-0 x 8-0	73.44	73.00	72.60	73.44	114.01	92.76	92.20	91.70	92.76	55.24	53.52	118.85
	3-0 x 8-2	43.44	43.18	42.95	43.44	66.01	94.76	94.20	93.70	94.76	29.12	28.24	72.56
	4-0 x 8-2	59.23	58.88	58.57	59.23	90.01	94.76	94.20	93.70	94.76	42.86	41.56	96.95
	5-0 x 8-2	75.03	74.58	74.19	75.03	114.01	94.76	94.20	93.70	94.76	56.60	54.88	121.34
	3-0 x 9-0	48.02	47.77	47.54	48.02	66.01	104.76	104.20	103.70	104.76	32.66	31.78	80.00
	4-0 x 9-0	65.49	65.13	64.82	65.49	90.01	104.76	104.20	103.70	104.76	48.06	46.76	106.89
	5-0 x 9-0	82.95	82.50	82.10	82.95	114.01	104.76	104.20	103.70	104.76	63.48	61.76	133.78
	3-0 x 9-2	48.94	48.68	48.45	48.94	66.01	106.76	106.20	105.70	106.76	33.36	32.48	81.49
	4-0 x 9-2	66.74	66.38	66.07	66.74	90.01	106.76	106.20	105.70	106.76	49.10	47.80	108.88
5-0 x 9-2	84.53	84.08	83.69	84.53	114.01	106.76	106.20	105.70	106.76	64.84	63.12	136.27	
3-0 x 10-0*	53.53	53.27	53.04	53.53	66.01	116.76	116.20	115.70	116.76	36.90	36.02	88.92	
4-0 x 10-0*	72.99	72.63	72.32	72.99	90.01	116.76	116.20	115.70	116.76	54.30	53.00	118.81	
5-0 x 10-0*	92.45	92.00	91.61	92.45	114.01	116.76	116.20	115.70	116.76	71.72	70.00	148.71	

# PREMIUM SERIES MULTI-SLIDE DOORS SINGLE DIRECTION (8719/8721)

## Opening Specifications

	Unit Code	Sq. Ft. Clear Opening / Vent				Clear Opening					Sq. Ft. DLO 7-1/2" Rail	Sq. Ft. DLO 10" Rail	Sq. Ft. Overall Unit Area <sup>a</sup>	
		Flush Sill	1.5" Riser	2" Riser	T-Track	Width	Height Flush Sill	Height 1.5" Riser	Height 2" Riser	Height T-Track <sup>b</sup>				
3 Panel Pocket Doors	3-0 x 6-8	51.46	51.08	50.74	51.46	97.17	76.26	75.70	75.20	76.26	33.87	32.55	75.91	
	4-0 x 6-8	70.53	70.01	69.54	70.53	133.17	76.26	75.70	75.20	76.26	49.86	47.91	102.26	
	5-0 x 6-8	89.59	88.93	88.34	89.59	169.17	76.26	75.70	75.20	76.26	65.85	63.27	128.62	
	3-0 x 6-10	53.15	52.77	52.43	53.15	97.17	78.76	78.20	77.70	78.76	35.22	33.87	78.31	
	4-0 x 6-10	72.84	72.32	71.86	72.84	133.17	78.76	78.20	77.70	78.76	51.81	49.86	105.50	
	5-0 x 6-10	92.53	91.87	91.28	92.53	169.17	78.76	78.20	77.70	78.76	68.43	65.85	132.68	
	3-0 x 7-2	55.85	55.47	55.13	55.85	97.17	82.76	82.20	81.70	82.76	37.32	36.00	82.15	
	4-0 x 7-2	76.54	76.02	75.55	76.54	133.17	82.76	82.20	81.70	82.76	54.93	52.98	110.67	
	5-0 x 7-2	97.23	96.57	95.98	97.23	169.17	82.76	82.20	81.70	82.76	72.54	69.96	139.19	
	3-0 x 8-0	62.59	62.21	61.88	62.59	97.17	92.76	92.20	91.70	92.76	42.63	41.31	91.75	
	4-0 x 8-0	85.78	85.26	84.80	85.78	133.17	92.76	92.20	91.70	92.76	62.73	60.78	123.60	
	5-0 x 8-0	108.98	108.31	107.73	108.98	169.17	92.76	92.20	91.70	92.76	82.86	80.28	155.46	
	3-0 x 8-2	63.94	63.56	63.23	63.94	97.17	94.76	94.20	93.70	94.76	43.68	42.36	93.67	
	4-0 x 8-2	87.63	87.11	86.65	87.63	133.17	94.76	94.20	93.70	94.76	64.29	62.34	126.19	
	5-0 x 8-2	111.32	110.66	110.08	111.32	169.17	94.76	94.20	93.70	94.76	84.90	82.32	158.71	
	3-0 x 9-0	70.69	70.31	69.97	70.69	97.17	104.76	104.20	103.70	104.76	48.99	47.67	103.27	
	4-0 x 9-0	96.88	96.36	95.90	96.88	133.17	104.76	104.20	103.70	104.76	72.09	70.14	139.13	
	5-0 x 9-0	123.07	122.41	121.82	123.07	169.17	104.76	104.20	103.70	104.76	95.22	92.64	174.98	
	3-0 x 9-2	72.04	71.66	71.32	72.04	97.17	106.76	106.20	105.70	106.76	50.04	48.72	105.19	
	4-0 x 9-2	98.73	98.21	97.75	98.73	133.17	106.76	106.20	105.70	106.76	73.65	71.70	141.71	
5-0 x 9-2	125.42	124.76	124.17	125.42	169.17	106.76	106.20	105.70	106.76	97.26	94.68	178.23		
3-0 x 10-0*	78.79	78.41	78.07	78.79	97.17	116.76	116.20	115.70	116.76	55.35	54.03	114.79		
4-0 x 10-0*	107.98	107.46	107.00	107.98	133.17	116.76	116.20	115.70	116.76	81.45	79.50	154.65		
5-0 x 10-0*	137.17	136.51	135.92	137.17	169.17	116.76	116.20	115.70	116.76	107.58	105.00	194.50		
4 Panel Pocket Doors	3-0 x 6-8	67.96	67.46	67.01	67.96	128.33	76.26	75.70	75.20	76.26	45.16	43.40	93.02	
	4-0 x 6-8	93.38	92.69	92.08	93.38	176.33	76.26	75.70	75.20	76.26	66.48	63.88	125.96	
	3-0 x 6-10	70.19	69.69	69.24	70.19	128.33	78.76	78.20	77.70	78.76	46.96	45.16	95.96	
	4-0 x 6-10	96.44	95.75	95.14	96.44	176.33	78.76	78.20	77.70	78.76	69.08	66.48	129.94	
	3-0 x 7-2	73.75	73.25	72.81	73.75	128.33	82.76	82.20	81.70	82.76	49.76	48.00	100.66	
	4-0 x 7-2	101.34	100.65	100.04	101.34	176.33	82.76	82.20	81.70	82.76	73.24	70.64	136.31	
	3-0 x 8-0	82.66	82.16	81.72	82.66	128.33	92.76	92.20	91.70	92.76	56.84	55.08	112.43	
	4-0 x 8-0	113.59	112.90	112.28	113.59	176.33	92.76	92.20	91.70	92.76	83.64	81.04	152.24	
	3-0 x 8-2	84.45	83.95	83.50	84.45	128.33	94.76	94.20	93.70	94.76	58.24	56.48	114.78	
	4-0 x 8-2	116.03	115.35	114.73	116.03	176.33	94.76	94.20	93.70	94.76	85.72	83.12	155.43	
	3-0 x 9-0	93.36	92.86	92.41	93.36	128.33	104.76	104.20	103.70	104.76	65.32	63.56	126.54	
	4-0 x 9-0	128.28	127.59	126.98	128.28	176.33	104.76	104.20	103.70	104.76	96.12	93.52	171.36	
	3-0 x 9-2	95.14	94.64	94.19	95.14	128.33	106.76	106.20	105.70	106.76	66.72	64.96	128.90	
	4-0 x 9-2	130.73	130.04	129.43	130.73	176.33	106.76	106.20	105.70	106.76	98.20	95.60	174.55	
	3-0 x 10-0*	104.05	103.55	103.11	104.05	128.33	116.76	116.20	115.70	116.76	73.80	72.04	140.66	
	4-0 x 10-0*	142.97	142.29	141.67	142.97	176.33	116.76	116.20	115.70	116.76	108.60	106.00	190.48	
	5 Panel Pocket Doors	3-0 x 6-8	84.46	83.84	83.28	84.46	159.48	76.26	75.70	75.20	76.26	56.45	54.25	110.12
		4-0 x 6-8	116.24	115.38	114.62	116.24	219.48	76.26	75.70	75.20	76.26	83.10	79.85	149.65
		3-0 x 6-10	87.23	86.61	86.05	87.23	159.48	78.76	78.20	77.70	78.76	58.70	56.45	113.60
		4-0 x 6-10	120.05	119.19	118.43	120.05	219.48	78.76	78.20	77.70	78.76	86.35	83.10	154.38
3-0 x 7-2		91.66	91.04	90.48	91.66	159.48	82.76	82.20	81.70	82.76	62.20	60.00	119.18	
4-0 x 7-2		126.14	125.29	124.52	126.14	219.48	82.76	82.20	81.70	82.76	91.55	88.30	161.96	
3-0 x 8-0		102.74	102.11	101.56	102.74	159.48	92.76	92.20	91.70	92.76	71.05	68.85	133.10	
4-0 x 8-0		141.39	140.53	139.77	141.39	219.48	92.76	92.20	91.70	92.76	104.55	101.30	180.88	
3-0 x 8-2		104.95	104.33	103.77	104.95	159.48	94.76	94.20	93.70	94.76	72.80	70.60	135.89	
4-0 x 8-2		144.43	143.58	142.82	144.43	219.48	94.76	94.20	93.70	94.76	107.15	103.90	184.67	
3-0 x 9-0		116.03	115.40	114.85	116.03	159.48	104.76	104.20	103.70	104.76	81.65	79.45	149.82	
4-0 x 9-0		159.68	158.82	158.06	159.68	219.48	104.76	104.20	103.70	104.76	120.15	116.90	203.60	
3-0 x 9-2		118.24	117.62	117.06	118.24	159.48	106.76	106.20	105.70	106.76	83.40	81.20	152.60	
4-0 x 9-2		162.73	161.87	161.11	162.73	219.48	106.76	106.20	105.70	106.76	122.75	119.50	207.39	
3-0 x 10-0*		129.32	128.69	128.14	129.32	159.48	116.76	116.20	115.70	116.76	92.25	90.05	166.53	
4-0 x 10-0*		177.97	177.11	176.35	177.97	219.48	116.76	116.20	115.70	116.76	135.75	132.50	226.31	

<sup>a</sup> Sq. Ft. Overall Unit Area is calculated on the jamb dimension for flush sill.

<sup>b</sup> T-track sill clear opening height calculated to top of roller track.

\* 10-0 doors only available in 2-1/4" panels (8721)

# PREMIUM SERIES MULTI-SLIDE DOORS BI-PARTING (8719/8721)

## Opening Specifications

Unit Code	Sq. Ft. Clear Opening / Vent				Clear Opening						Sq. Ft. DLO 7-1/2" Rail	Sq. Ft. DLO 10" Rail	Sq. Ft. Overall Unit Area <sup>a</sup>
	Flush Sill	1.5" Riser	2" Riser	T-Track	Width	Height Flush Sill	Height 1.5" Riser	Height 2" Riser	Height T-Track <sup>b</sup>				
4 Panel Bi-parting Doors	3-0 x 6-8	31.25	31.02	30.82	31.25	59.02	76.26	75.70	75.20	76.26	45.16	43.40	75.25
	4-0 x 6-8	43.96	43.64	43.35	43.96	83.02	76.26	75.70	75.20	76.26	66.48	63.88	101.61
	5-0 x 6-8	56.67	56.26	55.88	56.67	107.02	76.26	75.70	75.20	76.26	87.80	84.36	127.96
	3-0 x 6-10	32.28	32.05	31.84	32.28	59.02	78.76	78.20	77.70	78.76	46.96	45.16	77.63
	4-0 x 6-10	45.41	45.08	44.79	45.41	83.02	78.76	78.20	77.70	78.76	69.08	66.48	104.82
	5-0 x 6-10	58.53	58.11	57.74	58.53	107.02	78.76	78.20	77.70	78.76	91.24	87.80	132.01
	3-0 x 7-2	33.92	33.69	33.48	33.92	59.02	82.76	82.20	81.70	82.76	49.76	48.00	81.44
	4-0 x 7-2	47.71	47.39	47.10	47.71	83.02	82.76	82.20	81.70	82.76	73.24	70.64	109.96
	5-0 x 7-2	61.51	61.09	60.72	61.51	107.02	82.76	82.20	81.70	82.76	96.72	93.28	138.48
	3-0 x 8-0	38.02	37.79	37.58	38.02	59.02	92.76	92.20	91.70	92.76	56.84	55.08	90.96
	4-0 x 8-0	53.48	53.15	52.86	53.48	83.02	92.76	92.20	91.70	92.76	83.64	81.04	122.81
	5-0 x 8-0	68.94	68.52	68.15	68.94	107.02	92.76	92.20	91.70	92.76	110.48	107.04	154.67
	3-0 x 8-2	38.84	38.61	38.40	38.84	59.02	94.76	94.20	93.70	94.76	58.24	56.48	92.86
	4-0 x 8-2	54.63	54.31	54.02	54.63	83.02	94.76	94.20	93.70	94.76	85.72	83.12	125.38
	5-0 x 8-2	70.42	70.00	69.63	70.42	107.02	94.76	94.20	93.70	94.76	113.20	109.76	157.91
	3-0 x 9-0	42.93	42.70	42.50	42.93	59.02	104.76	104.20	103.70	104.76	65.32	63.56	102.38
	4-0 x 9-0	60.39	60.07	59.78	60.39	83.02	104.76	104.20	103.70	104.76	96.12	93.52	138.24
	5-0 x 9-0	77.85	77.44	77.06	77.85	107.02	104.76	104.20	103.70	104.76	126.96	123.52	174.09
	3-0 x 9-2	43.75	43.52	43.32	43.75	59.02	106.76	106.20	105.70	106.76	66.72	64.96	104.29
	4-0 x 9-2	61.55	61.22	60.94	61.55	83.02	106.76	106.20	105.70	106.76	98.20	95.60	140.81
5-0 x 9-2	79.34	78.92	78.55	79.34	107.02	106.76	106.20	105.70	106.76	129.68	126.24	177.33	
3-0 x 10-0*	47.85	47.62	47.42	47.85	59.02	116.76	116.20	115.70	116.76	73.80	72.04	113.81	
4-0 x 10-0*	67.31	66.99	66.70	67.31	83.02	116.76	116.20	115.70	116.76	108.60	106.00	153.66	
5-0 x 10-0*	86.77	86.35	85.98	86.77	107.02	116.76	116.20	115.70	116.76	143.44	140.00	193.51	
6 Panel Bi-parting Doors	3-0 x 6-8	64.26	63.78	63.36	64.26	121.33	76.26	75.70	75.20	76.26	67.74	65.10	109.47
	4-0 x 6-8	89.68	89.01	88.43	89.68	169.33	76.26	75.70	75.20	76.26	99.72	95.82	149.00
	5-0 x 6-8	115.10	114.25	113.49	115.10	217.33	76.26	75.70	75.20	76.26	131.70	126.54	188.53
	3-0 x 6-10	66.36	65.89	65.47	66.36	121.33	78.76	78.20	77.70	78.76	70.44	67.74	112.93
	4-0 x 6-10	92.62	91.95	91.37	92.62	169.33	78.76	78.20	77.70	78.76	103.62	99.72	153.71
	5-0 x 6-10	118.87	118.02	117.27	118.87	217.33	78.76	78.20	77.70	78.76	136.86	131.70	194.49
	3-0 x 7-2	69.73	69.26	68.84	69.73	121.33	82.76	82.20	81.70	82.76	74.64	72.00	118.47
	4-0 x 7-2	97.32	96.66	96.07	97.32	169.33	82.76	82.20	81.70	82.76	109.86	105.96	161.25
	5-0 x 7-2	124.91	124.06	123.30	124.91	217.33	82.76	82.20	81.70	82.76	145.08	139.92	204.03
	3-0 x 8-0	78.16	77.68	77.26	78.16	121.33	92.76	92.20	91.70	92.76	85.26	82.62	132.31
	4-0 x 8-0	109.08	108.42	107.83	109.08	169.33	92.76	92.20	91.70	92.76	125.46	121.56	180.09
	5-0 x 8-0	140.00	139.15	138.39	140.00	217.33	92.76	92.20	91.70	92.76	165.72	160.56	227.88
	3-0 x 8-2	79.84	79.37	78.95	79.84	121.33	94.76	94.20	93.70	94.76	87.36	84.72	135.08
	4-0 x 8-2	111.43	110.77	110.18	111.43	169.33	94.76	94.20	93.70	94.76	128.58	124.68	183.86
	5-0 x 8-2	143.02	142.17	141.41	143.02	217.33	94.76	94.20	93.70	94.76	169.80	164.64	232.64
	3-0 x 9-0	88.27	87.79	87.37	88.27	121.33	104.76	104.20	103.70	104.76	97.98	95.34	148.93
	4-0 x 9-0	123.19	122.53	121.94	123.19	169.33	104.76	104.20	103.70	104.76	144.18	140.28	202.71
	5-0 x 9-0	158.11	157.26	156.51	158.11	217.33	104.76	104.20	103.70	104.76	190.44	185.28	256.49
	3-0 x 9-2	89.95	89.48	89.06	89.95	121.33	106.76	106.20	105.70	106.76	100.08	97.44	151.70
	4-0 x 9-2	125.54	124.88	124.29	125.54	169.33	106.76	106.20	105.70	106.76	147.30	143.40	206.48
5-0 x 9-2	161.13	160.28	159.52	161.13	217.33	106.76	106.20	105.70	106.76	194.52	189.36	261.26	
3-0 x 10-0*	98.38	97.91	97.48	98.38	121.33	116.76	116.20	115.70	116.76	110.70	108.06	165.54	
4-0 x 10-0*	137.30	136.64	136.05	137.30	169.33	116.76	116.20	115.70	116.76	162.90	159.00	225.33	
5-0 x 10-0*	176.22	175.37	174.62	176.22	217.33	116.76	116.20	115.70	116.76	215.16	210.00	285.11	
8 Panel Bi-parting Doors	3-0 x 6-8	97.26	96.54	95.90	97.26	183.64	76.26	75.70	75.20	76.26	90.32	86.80	143.68
	4-0 x 6-8	135.39	134.39	133.50	135.39	255.64	76.26	75.70	75.20	76.26	132.96	127.76	196.39
	5-0 x 6-8	173.52	172.24	171.10	173.52	327.64	76.26	75.70	75.20	76.26	175.60	168.72	249.10
	3-0 x 6-10	100.44	99.73	99.09	100.44	183.64	78.76	78.20	77.70	78.76	93.92	90.32	148.22
	4-0 x 6-10	139.83	138.83	137.94	139.83	255.64	78.76	78.20	77.70	78.76	138.16	132.96	202.60
	5-0 x 6-10	179.21	177.93	176.79	179.21	327.64	78.76	78.20	77.70	78.76	182.48	175.60	256.97
	3-0 x 7-2	105.55	104.83	104.19	105.55	183.64	82.76	82.20	81.70	82.76	99.52	96.00	155.49
	4-0 x 7-2	146.93	145.93	145.04	146.93	255.64	82.76	82.20	81.70	82.76	146.48	141.28	212.53
	5-0 x 7-2	188.31	187.03	185.89	188.31	327.64	82.76	82.20	81.70	82.76	193.44	186.56	269.58
	3-0 x 8-0	118.30	117.58	116.94	118.30	183.64	92.76	92.20	91.70	92.76	113.68	110.16	173.67
	4-0 x 8-0	164.68	163.68	162.79	164.68	255.64	92.76	92.20	91.70	92.76	167.28	162.08	237.37
	5-0 x 8-0	211.06	209.78	208.64	211.06	327.64	92.76	92.20	91.70	92.76	220.96	214.08	301.08
	3-0 x 8-2	120.85	120.13	119.49	120.85	183.64	94.76	94.20	93.70	94.76	116.48	112.96	177.30
	4-0 x 8-2	168.23	167.23	166.34	168.23	255.64	94.76	94.20	93.70	94.76	171.44	166.24	242.34
	5-0 x 8-2	215.61	214.33	213.19	215.61	327.64	94.76	94.20	93.70	94.76	226.40	219.52	307.38
	3-0 x 9-0	133.60	132.88	132.25	133.60	183.64	104.76	104.20	103.70	104.76	130.64	127.12	195.47
	4-0 x 9-0	185.98	184.98	184.10	185.98	255.64	104.76	104.20	103.70	104.76	192.24	187.04	267.18
	5-0 x 9-0	238.36	237.08	235.95	238.36	327.64	104.76	104.20	103.70	104.76	253.92	247.04	338.89
	3-0 x 9-2	136.15	135.44	134.80	136.15	183.64	106.76	106.20	105.70	106.76	133.44	129.92	199.11
	4-0 x 9-2	189.53	188.54	187.65	189.53	255.64	106.76	106.20	105.70	106.76	196.40	191.20	272.15
5-0 x 9-2	242.92	241.64	240.50	242.92	327.64	106.76	106.20	105.70	106.76	259.36	252.48	345.19	
3-0 x 10-0*	148.91	148.19	147.55	148.91	183.64	116.76	116.20	115.70	116.76	147.60	144.08	217.28	
4-0 x 10-0*	207.29	206.29	205.40	207.29	255.64	116.76	116.20	115.70	116.76	217.20	212.00	296.99	
5-0 x 10-0*	265.67	264.39	263.25	265.67	327.64	116.76	116.20	115.70	116.76	286.88	280.00	376.70	

# PREMIUM SERIES MULTI-SLIDE DOORS BI-PARTING (8719/8721)

## Opening Specifications

Unit Code	Sq. Ft. Clear Opening / Vent				Clear Opening					Sq. Ft. DLO 7-1/2" Rail	Sq. Ft. DLO 10" Rail	Sq. Ft. Overall Unit Area <sup>a</sup>													
	Flush Sill	1.5" Riser	2" Riser	T-Track	Width	Height Flush Sill	Height 1.5" Riser	Height 2" Riser	Height T-Track <sup>b</sup>																
<b>10 Panel Bi-parting Doors</b>													3-0 x 6-8	130.26	129.30	128.44	130.26	245.96	76.26	75.70	75.20	76.26	112.90	108.50	177.89
													4-0 x 6-8	181.10	179.76	178.58	181.10	341.96	76.26	75.70	75.20	76.26	166.20	159.70	243.78
													5-0 x 6-8	231.94	230.23	228.71	231.94	437.96	76.26	75.70	75.20	76.26	219.50	210.90	309.66
													3-0 x 6-10	134.53	133.57	132.71	134.53	245.96	78.76	78.20	77.70	78.76	117.40	112.90	183.52
													4-0 x 6-10	187.04	185.70	184.51	187.04	341.96	78.76	78.20	77.70	78.76	172.70	166.20	251.49
													5-0 x 6-10	239.54	237.83	236.31	239.54	437.96	78.76	78.20	77.70	78.76	228.10	219.50	319.46
													3-0 x 7-2	141.36	140.40	139.54	141.36	245.96	82.76	82.20	81.70	82.76	124.40	120.00	192.52
													4-0 x 7-2	196.53	195.20	194.01	196.53	341.96	82.76	82.20	81.70	82.76	183.10	176.60	263.82
													5-0 x 7-2	251.71	250.00	248.48	251.71	437.96	82.76	82.20	81.70	82.76	241.80	233.20	335.12
													3-0 x 8-0	158.44	157.48	156.63	158.44	245.96	92.76	92.20	91.70	92.76	142.10	137.70	215.02
													4-0 x 8-0	220.28	218.95	217.76	220.28	341.96	92.76	92.20	91.70	92.76	209.10	202.60	294.65
													5-0 x 8-0	282.12	280.41	278.89	282.12	437.96	92.76	92.20	91.70	92.76	276.20	267.60	374.29
													3-0 x 8-2	161.86	160.90	160.04	161.86	245.96	94.76	94.20	93.70	94.76	145.60	141.20	219.52
													4-0 x 8-2	225.03	223.69	222.51	225.03	341.96	94.76	94.20	93.70	94.76	214.30	207.80	300.82
													5-0 x 8-2	288.20	286.49	284.97	288.20	437.96	94.76	94.20	93.70	94.76	283.00	274.40	382.12
													3-0 x 9-0	178.94	177.98	177.12	178.94	245.96	104.76	104.20	103.70	104.76	163.30	158.90	242.02
													4-0 x 9-0	248.78	247.44	246.25	248.78	341.96	104.76	104.20	103.70	104.76	240.30	233.80	331.66
													5-0 x 9-0	318.62	316.91	315.39	318.62	437.96	104.76	104.20	103.70	104.76	317.40	308.80	421.29
													3-0 x 9-2	182.35	181.39	180.54	182.35	245.96	106.76	106.20	105.70	106.76	166.80	162.40	246.52
													4-0 x 9-2	253.53	252.19	251.00	253.53	341.96	106.76	106.20	105.70	106.76	245.50	239.00	337.82
5-0 x 9-2	324.70	322.99	321.47	324.70	437.96	106.76	106.20	105.70	106.76	324.20	315.60	429.13													
3-0 x 10-0*	199.43	198.47	197.62	199.43	245.96	116.76	116.20	115.70	116.76	184.50	180.10	269.02													
4-0 x 10-0*	277.27	275.94	274.75	277.27	341.96	116.76	116.20	115.70	116.76	271.50	265.00	368.66													
5-0 x 10-0*	355.12	353.41	351.88	355.12	437.96	116.76	116.20	115.70	116.76	358.60	350.00	468.29													
<b>2 Panel Bi-parting Pocket Doors</b>													3-0 x 6-8	37.93	37.65	37.40	37.93	71.62	76.26	75.70	75.20	76.26	22.58	21.70	82.69
													4-0 x 6-8	50.64	50.27	49.93	50.64	95.62	76.26	75.70	75.20	76.26	33.24	31.94	109.05
													5-0 x 6-8	63.35	62.88	62.47	63.35	119.62	76.26	75.70	75.20	76.26	43.90	42.18	135.40
													3-0 x 6-10	39.17	38.89	38.64	39.17	71.62	78.76	78.20	77.70	78.76	23.48	22.58	85.31
													4-0 x 6-10	52.30	51.93	51.59	52.30	95.62	78.76	78.20	77.70	78.76	34.54	33.24	112.49
													5-0 x 6-10	65.43	64.96	64.54	65.43	119.62	78.76	78.20	77.70	78.76	45.62	43.90	139.68
													3-0 x 7-2	41.16	40.88	40.63	41.16	71.62	82.76	82.20	81.70	82.76	24.88	24.00	89.49
													4-0 x 7-2	54.96	54.58	54.25	54.96	95.62	82.76	82.20	81.70	82.76	36.62	35.32	118.01
													5-0 x 7-2	68.75	68.28	67.87	68.75	119.62	82.76	82.20	81.70	82.76	48.36	46.64	146.53
													3-0 x 8-0	46.14	45.86	45.61	46.14	71.62	92.76	92.20	91.70	92.76	28.42	27.54	99.95
													4-0 x 8-0	61.60	61.22	60.89	61.60	95.62	92.76	92.20	91.70	92.76	41.82	40.52	131.80
													5-0 x 8-0	77.06	76.59	76.17	77.06	119.62	92.76	92.20	91.70	92.76	55.24	53.52	163.66
													3-0 x 8-2	47.13	46.85	46.60	47.13	71.62	94.76	94.20	93.70	94.76	29.12	28.24	102.04
													4-0 x 8-2	62.92	62.55	62.22	62.92	95.62	94.76	94.20	93.70	94.76	42.86	41.56	134.56
													5-0 x 8-2	78.72	78.25	77.84	78.72	119.62	94.76	94.20	93.70	94.76	56.60	54.88	167.08
													3-0 x 9-0	52.10	51.82	51.58	52.10	71.62	104.76	104.20	103.70	104.76	32.66	31.78	112.50
													4-0 x 9-0	69.56	69.19	68.86	69.56	95.62	104.76	104.20	103.70	104.76	48.06	46.76	148.36
													5-0 x 9-0	87.02	86.56	86.14	87.02	119.62	104.76	104.20	103.70	104.76	63.48	61.76	184.21
													3-0 x 9-2	53.10	52.82	52.57	53.10	71.62	106.76	106.20	105.70	106.76	33.36	32.48	114.59
													4-0 x 9-2	70.89	70.52	70.19	70.89	95.62	106.76	106.20	105.70	106.76	49.10	47.80	151.11
5-0 x 9-2	88.69	88.22	87.80	88.69	119.62	106.76	106.20	105.70	106.76	64.84	63.12	187.64													
3-0 x 10-0*	58.07	57.79	57.54	58.07	71.62	116.76	116.20	115.70	116.76	36.90	36.02	125.05													
4-0 x 10-0*	77.53	77.16	76.83	77.53	95.62	116.76	116.20	115.70	116.76	54.30	53.00	164.91													
5-0 x 10-0*	96.99	96.53	96.11	96.99	119.62	116.76	116.20	115.70	116.76	71.72	70.00	204.76													
<b>4 Panel Bi-parting Pocket Doors</b>													3-0 x 6-8	70.93	70.41	69.94	70.93	133.93	76.26	75.70	75.20	76.26	45.16	43.40	116.91
													4-0 x 6-8	96.35	95.64	95.01	96.35	181.93	76.26	75.70	75.20	76.26	66.48	63.88	156.44
													5-0 x 6-8	121.77	120.87	120.08	121.77	229.93	76.26	75.70	75.20	76.26	87.80	84.36	195.97
													3-0 x 6-10	73.26	72.73	72.27	73.26	133.93	78.76	78.20	77.70	78.76	46.96	45.16	120.60
													4-0 x 6-10	99.51	98.80	98.17	99.51	181.93	78.76	78.20	77.70	78.76	69.08	66.48	161.38
													5-0 x 6-10	125.76	124.87	124.07	125.76	229.93	78.76	78.20	77.70	78.76	91.24	87.80	202.16
													3-0 x 7-2	76.98	76.45	75.99	76.98	133.93	82.76	82.20	81.70	82.76	49.76	48.00	126.52
													4-0 x 7-2	104.56	103.85	103.22	104.56	181.93	82.76	82.20	81.70	82.76	73.24	70.64	169.30
													5-0 x 7-2	132.15	131.25	130.45	132.15	229.93	82.76	82.20	81.70	82.76	96.72	93.28	212.08
													3-0 x 8-0	86.28	85.75	85.29	86.28	133.93	92.76	92.20	91.70	92.76	56.84	55.08	141.30
													4-0 x 8-0	117.20	116.49	115.86	117.20	181.93	92.76	92.20	91.70	92.76	83.64	81.04	189.08
													5-0 x 8-0	148.12	147.22	146.42	148.12	229.93	92.76	92.20	91.70	92.76	110.48	107.04	236.87
													3-0 x 8-2	88.14	87.61	87.15	88.14	133.93	94.76	94.20	93.70	94.76	58.24	56.48	144.26
													4-0 x 8-2	119.72	119.01	118.38	119.72	181.93	94.76	94.20	93.70	94.76	85.72	83.12	193.04
													5-0 x 8-2	151.31	150.41	149.62	151.31	229.93	94.76	94.20	93.70	94.76	113.20	109.76	241.82
													3-0 x 9-0	97.44	96.92	96.45	97.44	133.93	104.76	104.20	103.70	104.76	65.32	63.56	159.05
													4-0 x 9-0	132.36	131.65	131.02	132.36	181.93	104.76	104.20	103.70	104.76	96.12	93.52	212.83
													5-0 x 9-0	167.28	166.38	165.58	167.28	229.93	104.76	104.20	103.70	104.76	126.96	123.52	266.61
													3-0 x 9-2	99.30	98.78	98.31	99.30	133.93	106.76	106.20	105.70	106.76	66.72	64.96	162.01
													4-0 x 9-2	134.89	134.18	133.54	134.89	181.93	106.76	106.20	105.70	106.76	98.20	95.60	216.79
5-0 x 9-2	170.47	169.58	168.78	170.47	229.93	106.76	106.20	105.70	106.76	129.68	126.24	271.57													
3-0 x 10-0*	108.60	108.08	107.61	108.60	133.93	116.76	116.20	115.70	116.76	73.80	72.04	176.79													
4-0 x 10-0*	147.52	146.81	146.18	147.52	181.93	116.76	116.20	115.70	116.76	108.60	106.00	236.57													
5-0 x 10-0*	186.44	185.54	184.74	186.44	229.93	116.76	116.20	115.70	116.76	143.44	140.00	296.35													

MULTI-SLIDE DOORS

# PREMIUM SERIES MULTI-SLIDE DOORS BI-PARTING (8719/8721)

## Opening Specifications

Unit Code	Sq. Ft. Clear Opening / Vent				Clear Opening						Sq. Ft. DLO 7-1/2" Rail	Sq. Ft. DLO 10" Rail	Sq. Ft. Overall Unit Area <sup>a</sup>																											
	Flush Sill	1.5" Riser	2" Riser	T-Track	Width	Height Flush Sill	Height 1.5" Riser	Height 2" Riser	Height T-Track <sup>b</sup>																															
<b>6 Panel Bi-parting Pocket Doors</b>																																								
														3-0 x 6-8	103.93	103.17	102.48	103.93	196.25	76.26	75.70	75.20	76.26	67.74	65.10	151.12														
														4-0 x 6-8	142.06	141.01	140.08	142.06	268.25	76.26	75.70	75.20	76.26	99.72	95.82	203.83														
														5-0 x 6-8	180.19	178.86	177.68	180.19	340.25	76.26	75.70	75.20	76.26	131.70	126.54	256.53														
														3-0 x 6-10	107.34	106.57	105.89	107.34	196.25	78.76	78.20	77.70	78.76	70.44	67.74	155.90														
														4-0 x 6-10	146.72	145.67	144.74	146.72	268.25	78.76	78.20	77.70	78.76	103.62	99.72	210.27														
														5-0 x 6-10	186.10	184.77	183.59	186.10	340.25	78.76	78.20	77.70	78.76	136.86	131.70	264.65														
														3-0 x 7-2	112.79	112.02	111.34	112.79	196.25	82.76	82.20	81.70	82.76	74.64	72.00	163.54														
														4-0 x 7-2	154.17	153.12	152.19	154.17	268.25	82.76	82.20	81.70	82.76	109.86	105.96	220.58														
														5-0 x 7-2	195.55	194.22	193.04	195.55	340.25	82.76	82.20	81.70	82.76	145.08	139.92	277.63														
														3-0 x 8-0	126.42	125.65	124.97	126.42	196.25	92.76	92.20	91.70	92.76	85.26	82.62	182.66														
														4-0 x 8-0	172.80	171.75	170.82	172.80	268.25	92.76	92.20	91.70	92.76	125.46	121.56	246.36														
														5-0 x 8-0	219.18	217.85	216.67	219.18	340.25	92.76	92.20	91.70	92.76	165.72	160.56	310.07														
														3-0 x 8-2	129.14	128.38	127.70	129.14	196.25	94.76	94.20	93.70	94.76	87.36	84.72	186.48														
														4-0 x 8-2	176.52	175.48	174.55	176.52	268.25	94.76	94.20	93.70	94.76	128.58	124.68	251.52														
														5-0 x 8-2	223.91	222.58	221.40	223.91	340.25	94.76	94.20	93.70	94.76	169.80	164.64	316.56														
														3-0 x 9-0	142.77	142.01	141.32	142.77	196.25	104.76	104.20	103.70	104.76	97.98	95.34	205.59														
														4-0 x 9-0	195.15	194.11	193.17	195.15	268.25	104.76	104.20	103.70	104.76	144.18	140.28	277.30														
														5-0 x 9-0	247.53	246.20	245.02	247.53	340.25	104.76	104.20	103.70	104.76	190.44	185.28	349.01														
														3-0 x 9-2	145.50	144.73	144.05	145.50	196.25	106.76	106.20	105.70	106.76	100.08	97.44	209.42														
4-0 x 9-2	198.88	197.83	196.90	198.88	268.25	106.76	106.20	105.70	106.76	147.30	143.40	282.46																												
5-0 x 9-2	252.26	250.93	249.75	252.26	340.25	106.76	106.20	105.70	106.76	194.52	189.36	355.50																												
3-0 x 10-0*	159.13	158.36	157.68	159.13	196.25	116.76	116.20	115.70	116.76	110.70	108.06	228.53																												
4-0 x 10-0*	217.51	216.46	215.53	217.51	268.25	116.76	116.20	115.70	116.76	162.90	159.00	308.24																												
5-0 x 10-0*	275.89	274.56	273.38	275.89	340.25	116.76	116.20	115.70	116.76	215.16	210.00	387.95																												
<b>8 Panel Bi-parting Pocket Doors</b>																																								
														3-0 x 6-8	136.93	135.92	135.03	136.93	258.56	76.26	75.70	75.20	76.26	90.32	86.80	185.33														
														4-0 x 6-8	187.77	186.39	185.16	187.77	354.56	76.26	75.70	75.20	76.26	132.96	127.76	251.22														
														3-0 x 6-10	141.42	140.41	139.51	141.42	258.56	78.76	78.20	77.70	78.76	93.92	90.32	191.19														
														4-0 x 6-10	193.93	192.54	191.31	193.93	354.56	78.76	78.20	77.70	78.76	138.16	132.96	259.16														
														3-0 x 7-2	148.60	147.59	146.70	148.60	258.56	82.76	82.20	81.70	82.76	99.52	96.00	200.57														
														4-0 x 7-2	203.78	202.39	201.16	203.78	354.56	82.76	82.20	81.70	82.76	146.48	141.28	271.87														
														3-0 x 8-0	166.56	165.55	164.65	166.56	258.56	92.76	92.20	91.70	92.76	113.68	110.16	224.01														
														4-0 x 8-0	228.40	227.02	225.78	228.40	354.56	92.76	92.20	91.70	92.76	167.28	162.08	303.64														
														3-0 x 8-2	170.15	169.14	168.24	170.15	258.56	94.76	94.20	93.70	94.76	116.48	112.96	228.70														
														4-0 x 8-2	233.33	231.94	230.71	233.33	354.56	94.76	94.20	93.70	94.76	171.44	166.24	310.00														
														3-0 x 9-0	188.11	187.10	186.20	188.11	258.56	104.76	104.20	103.70	104.76	130.64	127.12	252.14														
														4-0 x 9-0	257.95	256.56	255.33	257.95	354.56	104.76	104.20	103.70	104.76	192.24	187.04	341.77														
														3-0 x 9-2	191.70	190.69	189.79	191.70	258.56	106.76	106.20	105.70	106.76	133.44	129.92	256.83														
														4-0 x 9-2	262.87	261.49	260.26	262.87	354.56	106.76	106.20	105.70	106.76	196.40	191.20	348.13														
														3-0 x 10-0*	209.65	208.64	207.75	209.65	258.56	116.76	116.20	115.70	116.76	147.60	144.08	280.27														
														4-0 x 10-0*	287.50	286.11	284.88	287.50	354.56	116.76	116.20	115.70	116.76	217.20	212.00	379.91														
														<b>10 Panel Bi-parting Pocket Doors</b>																										
																												3-0 x 6-8	169.93	168.68	167.57	169.93	320.88	76.26	75.70	75.20	76.26	112.90	108.50	219.54
																												4-0 x 6-8	233.49	231.76	230.23	233.49	440.88	76.26	75.70	75.20	76.26	166.20	159.70	298.61
3-0 x 6-10	175.50	174.25	173.14	175.50	320.88	78.76	78.20	77.70	78.76	117.40	112.90	226.49																												
4-0 x 6-10	241.14	239.42	237.89	241.14	440.88	78.76	78.20	77.70	78.76	172.70	166.20	308.05																												
3-0 x 7-2	184.42	183.16	182.05	184.42	320.88	82.76	82.20	81.70	82.76	124.40	120.00	237.59																												
4-0 x 7-2	253.39	251.66	250.13	253.39	440.88	82.76	82.20	81.70	82.76	183.10	176.60	323.16																												
3-0 x 8-0	206.70	205.45	204.33	206.70	320.88	92.76	92.20	91.70	92.76	142.10	137.70	265.36																												
4-0 x 8-0	284.00	282.28	280.75	284.00	440.88	92.76	92.20	91.70	92.76	209.10	202.60	360.92																												
3-0 x 8-2	211.16	209.90	208.79	211.16	320.88	94.76	94.20	93.70	94.76	145.60	141.20	270.92																												
4-0 x 8-2	290.13	288.40	286.87	290.13	440.88	94.76	94.20	93.70	94.76	214.30	207.80	368.48																												
3-0 x 9-0	233.44	232.19	231.07	233.44	320.88	104.76	104.20	103.70	104.76	163.30	158.90	298.69																												
4-0 x 9-0	320.74	319.02	317.49	320.74	440.88	104.76	104.20	103.70	104.76	240.30	233.80	406.25																												
3-0 x 9-2	237.90	236.64	235.53	237.90	320.88	106.76	106.20	105.70	106.76	166.80	162.40	304.24																												
4-0 x 9-2	326.87	325.14	323.61	326.87	440.88	106.76	106.20	105.70	106.76	245.50	239.00	413.80																												
3-0 x 10-0*	260.18	258.93	257.81	260.18	320.88	116.76	116.20	115.70	116.76	184.50	180.10	332.01																												
4-0 x 10-0*	357.48	355.76	354.23	357.48	440.88	116.76	116.20	115.70	116.76	271.50	265.00	451.57																												

<sup>a</sup> Sq. Ft. Overall Unit Area is calculated on the jamb dimension for flush sill.

<sup>b</sup> T-track sill clear opening height calculated to top of roller track.

\* 10-0 doors only available in 2-1/4" panels (8721)

**TECHNICAL  
SPECIFICATIONS**  
Premium Series

**WEATHER SHIELD®**  
WINDOWS & DOORS

800.222.2995  
weathershield.com