



**WEATHER SHIELD®**  
WINDOWS & DOORS

**TECHNICAL SPECIFICATIONS**

Signature Series



# WHY WEATHER SHIELD?



## TABLE OF CONTENTS

WHY WEATHER SHIELD .....	2	UNIT SIZE CONVERSIONS .....	10	SPECIALTY SHAPES.....	40
TECHNICAL INFORMATION .....	4	DOUBLE HUNG WINDOWS.....	11	SLIDER WINDOWS.....	44
ARCHITECTURAL SERVICES .....	6	CASEMENT WINDOWS .....	22	HINGED PATIO DOORS.....	49
SIGNATURE SERIES .....	8	AWNING WINDOWS.....	32	SLIDING PATIO DOORS .....	69





## 5 REASONS TO CONSIDER WEATHER SHIELD

With hundreds of window and door manufacturers to choose from, it can be difficult to distinguish one company from another. We thought it might be helpful to share a few of the things that set Weather Shield apart from the rest.

### 1 Continuous Innovation

At Weather Shield, we never stop searching for ways to improve both our products and our processes. The goal of discovering new and innovative solutions has always been part of our DNA. That's why we have our own dedicated Research and Development Center and the largest onsite test lab in the industry. Not a day goes by when we aren't working on building a better product.

### 2 Best-In-Class Warranty

At Weather Shield, we do more than talk about our dedication to craftsmanship and quality materials. We back our products with a warranty against defects in material or workmanship for a period of 20 years, and against wood rot on all clad products for 30 years\*. So you can be confident you're getting an outstanding product from a trustworthy company.

### 3 Design Flexibility

When you design with Weather Shield, you have options. Our casements alone allow you to create more than 6,000,000 different configurations.

Choose from an impressive array of wood interiors and finishes, along with a myriad of exterior colors. We also offer some of the industry's largest expanses of glass for framing spectacular views. Whatever the style, whatever the size, nobody gives you more choices than Weather Shield.

### 4 Energy Efficiency Without Sacrifice

Through our innovative use of materials and design, we're able to offer industrial strength efficiency with refined appearance. We're very deliberate in our use of energy efficient materials to drive performance where it matters most. We're proud to offer an extensive number of beautifully designed ENERGY STAR® rated products.

### 5 Family Owned and Operated

For more than 60 years, Weather Shield has remained a family-owned and operated company. That allows us the freedom to take a long-term perspective and keep our focus on serving customer needs rather than a singular focus of achieving quarterly financial targets.

As we've grown to become a respected national brand, we've seen technology and materials evolve. But our core values have never changed. Today, we remain dedicated to building long-term relationships and crafting innovative products that meet the needs of our customers.

\*For more specific information regarding our warranty, visit [weathershield.com/warranties](https://weathershield.com/warranties).

# TECHNICAL INFORMATION





# ARCHITECTURALLY INSPIRED. TECHNOLOGICALLY ADVANCED.

Weather Shield creates the highest quality windows and doors in the industry. We stand by our commitment to innovative and performance-driven products while delivering on our promises— so you can deliver on yours.

## Many Distinct Lines, One Powerful Impact

Weather Shield offers several comprehensive product lines to fit whatever your clients needs may be. Our Contemporary Collection offers the perfect complement to modern design, with a sleek contemporary aesthetic and uncompromising quality. The Premium Series represents our deluxe line of aluminum clad wood windows and patio doors, while the Premium Coastal line is the perfect solution for high-end, high-quality products tailored to the specific needs of coastal regions. The Signature Series offers our most popular options at a mid-price point, also boasting aluminum clad wood windows and doors. Finally, the Aspire Series is a vinyl clad product line at an outstanding value.

## A Reputation of Quality

Our highly innovative, top performing, and beautifully crafted windows and doors offer design flexibility with countless options to perfectly meet your clients' needs. Weather Shield is an industry leader in energy efficiency and an ENERGY STAR® partner — translating to long-term financial savings in your clients' homes. We pride ourselves on our knowledgeable inside sales staff and experienced field service and architectural support, so you'll always have backup.

## The Information You Need, At Your Fingertips

Inside this catalog, you'll find:

- Standard product sizes and dimensions
- Visual comparisons between product sizes
- Product details and proportions between parts
- Opening information for egress requirements
- Vent and DLO information for HVAC calculations
- Unit size conversions for exterior trim

For additional information, please visit [weathershield.com](http://weathershield.com)





ARCHITECTURAL SERVICES





# ARCHITECTURAL SERVICES

Weather Shield's architectural team is here to help you solve your design challenges. Whether you're dealing with the requirements of a historic renovation, designing a one-of-a-kind configuration or facing stringent structural or thermal demands, we're ready, willing and able to help you get it right.

## Weather Shield Products are Ideally Suited for Several Commercial Project Types

- Educational Facilities
- Office Buildings
- Retail Buildings
- Restaurants
- Hotels/Resorts
- Recreational Facilities
- Religious Facilities
- Municipal Buildings
- Government Facilities
- Assisted Living
- Senior Housing
- Adaptive Re-use
- Historic Projects
- Multi-Family

## Build it Right. Stand Behind It.

We design and manufacture stunning windows and doors that perform to the highest standards. Energy efficiency at every stage makes thermal performance only the beginning. Weather Shield offers sustainable production, energy efficient designs and glass coatings, LEED assistance for architects and builders, as well as the availability of FSC® certified wood.



## Pre-Project Architectural Consultation Services

- Specification writing
- Assistance with product selection
- Custom product design consultation
- Code Compliance assessment
- Test Reports
- LEED Assistancess
- Samples and submittals
- Complete project management

## Architectural Tools

- Detailed 2D CAD Library
- 3D Revit Models/BIM Library
- Rapid prototyping/solid modeling
- AIA continuing education programs



## Starting Your Next Project

To contact a specialist in our architectural consultation group, call **1-800-538-8836**.

Business hours are 8:00 am - 5:00 pm CST, Monday - Friday.

Or email [archservices@weathershield.com](mailto:archservices@weathershield.com).

For drawing and technical information and to find a dealer in your area visit [weathershield.com](http://weathershield.com).



SIGNATURE SERIES





## OUR SIGNATURE SELECTION

Designed to offer the perfect blend of our most popular options and configurations, the Weather Shield Signature Series® features aluminum clad wood windows and doors. This line offers a mid-price point perfect for clients looking to upgrade their home with signature Weather Shield quality.



### Signature Series Overview

The Signature Series window products include double hung, casement, awning, slider and specialty shape windows. We also bring our signature quality to sliding and hinged patio doors. Customize your design by selecting from our recently expanded wood species offering, and our most popular colors and hardware options.

### Curated for Your Clients

Choose among superior options and accessories to ensure your client's home reflects their personal tastes. Our Signature Series offers a wide array of exterior colors, interior options and hardware finishes — with every detail hand-selected by you.

### Superior Doors and Windows

With Weather Shield's high-quality construction and top-tier aesthetics, Signature Series windows and doors stand out in an elite industry. The butt-jointed exterior cladding creates a stunning visual impact and architecturally flawless design. The fusion welded sub-frame virtually eliminates water or air infiltration at the frame joints. The sub-frame acts as a thermal barrier to halt the transfer of heat and cold — and save your clients money. With benefits in every handcrafted detail, our Signature Series is the perfect fit for a wide range of homeowners.


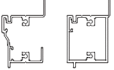
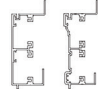
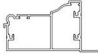
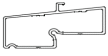

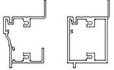
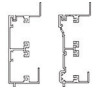
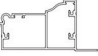
### Signature Series at a Glance

The Signature Series is our trademark line, featuring:

- Aluminum clad wood
- A robust range of custom color options
- Pine, Mixed Grain Fir and Character Alder wood interiors
- Some size limitations
- No radius operating units



# SIGNATURE SERIES UNIT SIZE CONVERSIONS

To Determine Outside of Casing Dimensions				
Signature Aluminum Clad Windows	Width	Height with Std Sill Nose	Height with 1" Bull nose	Height with 2" Bull nose
	7/8" Brick Mould Unit Size	Jamb + 1 3/4" [44mm]	Jamb + 1 5/8" [41mm]	Jamb + 1 7/8" [48mm]
	1-11/16" Brick Mould or Flat Casing Unit Size	Jamb + 3 3/8" [86mm]	Jamb + 2 7/16" [62mm]	Jamb + 2 11/16" [68mm]
	3-5/16" Flat Casing or Historical Brick Mould	Jamb + 6 5/8" [168mm]	Jamb + 4 1/16" [103mm]	Jamb + 4 5/16" [110mm]
	Mid Atlantic Casing	Jamb + 7" [178mm]	Jamb + 4 13/16" [122mm] *	* Mid Atlantic Casing uses this sill nose only 
Signature Aluminum Clad Doors		Width	Height	
	7/8" Brick Mould Unit Size	Jamb + 1 3/4" [44mm]	Jamb + 7/8" [22mm]	
	1-11/16" Brick Mould or Flat Casing Unit Size	Jamb + 3 3/8" [86mm]	Jamb + 1 11/16" [43mm]	
	3-5/16" Flat Casing or Historical Brick Mould	Jamb + 6 5/8" [168mm]	Jamb + 3 5/16" [84mm]	
	Mid Atlantic Casing	Jamb + 7" [178mm]	Jamb + 3 1/2" [89mm]	



# SIGNATURE SERIES

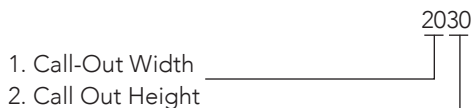
## DOUBLE HUNG WINDOWS

### Double Hung Windows Table of Contents

Double Hung Windows Footnotes.....	11	Double Hung Windows Cross Sections .....	17
Double Hung Windows Quick Spec Guide .....	12	Double Hung Windows Opening Specifications.....	20
Double Hung Windows Elevations.....	13		

### Size Codes:

The Weather Shield size code uses meaningful characters to denote standard sizes. For example:



### Product Information:

- Units show rectangular grille/SDL divisions.

### Egress Information:

Units in gray meet or exceed egress opening requirements per 2015 IBC (International Building Code) minimum dimensions of 20" [508mm] clear opening width, 24" [610mm] clear opening height, 5.7 sq. ft. [5295cm<sup>2</sup>] clear opening and floor to bottom of clear opening not to exceed 44" [1118mm] in height. Verify local or state egress opening sizes with your local building inspector. Floor to bottom of clear opening dimensions are based on 82" [2083mm] jamb height of Weather Shield French doors and center hinged French doors. See Opening Specification chart for reference.



# SIGNATURE SERIES

## DOUBLE HUNG WINDOWS (8122)

### Quick Spec Guide

DOUBLE HUNG

SPECIFICATION	STANDARD FEATURES	OPTIONAL FEATURES
<b>EXTERIOR FINISH</b>	<ul style="list-style-type: none"> <li>White</li> <li>Cameo</li> <li>Tan</li> <li>Desert Tan</li> <li>Heritage Brown</li> <li>Adobe</li> </ul>	<ul style="list-style-type: none"> <li>Craftsman Bronze</li> <li>Brick Red</li> <li>Hartford Green</li> <li>Gray Matters</li> <li>Obsidian</li> <li>Jet Black</li> </ul>
<b>EXTERIOR TRIM</b>	<ul style="list-style-type: none"> <li>Integral Nail Fin</li> </ul>	<ul style="list-style-type: none"> <li>7/8" Brickmold</li> <li>1-11/16" Brickmold</li> <li>1-11/16" Flat Casing</li> <li>3-5/16" Flat Casing</li> <li>Historical Brickmold</li> <li>3/4" Sill Nosing</li> <li>1" Bull Nose</li> <li>1" Full Round Bull Nose</li> <li>2" Bull Nose</li> </ul>
<b>INTERIOR FINISH</b>	<ul style="list-style-type: none"> <li>Natural</li> </ul>	<ul style="list-style-type: none"> <li>Clear Satin</li> <li>Fruitwood</li> <li>Rich Mahogany</li> <li>Primed</li> <li>Golden Oak</li> <li>Chestnut</li> <li>Prefinished White &amp; Black</li> <li>Poly – White &amp; Jet Black</li> </ul>
<b>INTERIOR SPECIES</b>	<ul style="list-style-type: none"> <li>Pine</li> </ul>	<ul style="list-style-type: none"> <li>Character Alder</li> <li>Mixed Grain Fir</li> </ul>
<b>SIZE</b>	<ul style="list-style-type: none"> <li>Width Double Hung and Double Hung Picture Units 1-6, 2-0, 2-6, 2-8, 2-10, 3-0, 3-2, 3-6, 4-0 Double Hung Picture Units 4-6, 5-0, 5-6, 6-0</li> <li>Height Double Hung and Double Hung Picture Units 3-0, 3-6, 4-0, 4-6, 4-8, 5-0, 5-2, 5-6, 6-0, 6-6, 7-0</li> </ul>	<ul style="list-style-type: none"> <li>Double Hung: Any jamb width: 15" to 59-1/2"</li> <li>Double Hung Picture Units: Any jamb width: 15-1/2" to 95-1/2"</li> <li>Double Hung: Any jamb height: 29-1/2" to 95-1/2"</li> <li>Double Hung Picture Units: Any jamb height: 17-1/4" to 95-1/2"</li> </ul>
<b>GLAZING</b>	<ul style="list-style-type: none"> <li>Low-E Insulating Glass</li> </ul>	<ul style="list-style-type: none"> <li>Clear IG</li> <li>Low-E 240</li> <li>Zo-e-shield 5</li> <li>Zo-e-shield Extreme</li> <li>Zo-e Shield 6 (laminated)</li> <li>Grey or Bronze Tint</li> <li>Obscure</li> <li>Tempered</li> </ul>
<b>GRILLES</b>		<ul style="list-style-type: none"> <li>GBG: 5/8" Flat or 11/16" Sculptured</li> <li>SDL: 5/8", 7/8", 1-1/8", 2" (limited cut styles)</li> <li>Wood Grille: 7/8"</li> </ul>
<b>HARDWARE</b>	<ul style="list-style-type: none"> <li>Surface Mounted Sash Lock</li> <li>Manual Tilt Latches</li> <li>Tan or White jamb liner</li> </ul>	<ul style="list-style-type: none"> <li>Contemporary Sash Lock</li> <li>Limit Stops</li> <li>WOCD</li> <li>Sash Lift Handles</li> </ul>
<b>HARDWARE COLOR</b>	<ul style="list-style-type: none"> <li>Tan</li> <li>Rustic Bronze</li> <li>White</li> <li>Black</li> </ul>	<ul style="list-style-type: none"> <li>Brushed Nickel</li> <li>Bright Brass</li> </ul>
<b>JAMB</b>	<ul style="list-style-type: none"> <li>4-9/16"</li> </ul>	<ul style="list-style-type: none"> <li>4-9/16 Min</li> <li>12" Max</li> </ul>
<b>SCREENS</b>	<ul style="list-style-type: none"> <li>Full Screen</li> <li>No-See-um Mesh</li> </ul>	<ul style="list-style-type: none"> <li>Half Screen</li> <li>Aluminum Non-Glare</li> </ul>
<b>SCREEN FRAME COLOR</b>	<ul style="list-style-type: none"> <li>Color matches exterior unit color</li> </ul>	



# SIGNATURE SERIES

## DOUBLE HUNG WINDOWS (8122)

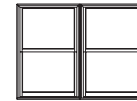
### Elevations

Jamb Dimension	1'-5 1/2"	1'-11 1/2"	2'-5 1/2"	2'-7 1/2"	2'-9 1/2"	2'-11 1/2"	3'-1 1/2"	3'-5 1/2"	3'-11 1/2"
Rough Opening	1'-6"	2'-0"	2'-6"	2'-8"	2'-10"	3'-0"	3'-2"	3'-6"	4'-0"
Metric R.O. (mm)	457	610	762	813	864	914	965	1067	1219
Glass Size	12"	18"	24"	26"	28"	30"	32"	36"	42"
2'-11 1/2"									
3'-0"	1630	2030	2630	2830	21030	3030	3230	3630	4030
3'-5 1/2"									
3'-6"	1636	2036	2636	2836	21036	3036	3236	3636	4036
3'-11 1/2"									
4'-0"	1640	2040	2640	2840	21040	3040	3240	3640	4040
4'-5 1/2"									
4'-6"	1646	2046	2646	2846	21046	3046	3246	3646	4046
4'-7 1/2"									
4'-8"	1648	2048	2648	2848	21048	3048	3248	3648	4048
4'-11 1/2"									
5'-0"	1650	2050	2650	2850	21050	3050	3250	3650	4050
5'-1 1/2"									
5'-2"	1652	2052	2652	2852	21052	3052	3252	3652	4052
5'-5 1/2"									
5'-6"	1656	2056	2656	2856	21056	3056	3256	3656	4056
5'-11 1/2"									
6'-0"	1660	2060	2660	2860	21060	3060	3260	3660	4060
6'-5 1/2"									
6'-6"	1666	2066	2666	2866	21066	3066	3266	3666	4066
6'-11 1/2"									
7'-0"	1670	2070	2670	2870	21070	3070	3270	3670	4070

### Optional Sash Configurations

Available for these heights, and all widths.

Cottage Sash Configuration	Oriel Sash Configuration
CO-2840	OR-2840
CO-2846	OR-2846
CO-2848	OR-2848
CO-2850	OR-2850
CO-2852	OR-2852
CO-2856	OR-2856



**2 - Wide**  
Width Dimensions

Base Code	Jamb Dimension (Frame Size)	Rough Opening	Metric R.O. (mm)
DH2-16	2'-11 1/16"	2'-11 9/16"	903
DH2-20	3'-11 1/16"	3'-11 9/16"	1208
DH2-26	4'-11 1/16"	4'-11 9/16"	1513
DH2-28	5'-3 1/16"	5'-3 9/16"	1614
DH2-210	5'-7 1/16"	5'-7 9/16"	1716
DH2-30	5'-11 1/16"	5'-11 9/16"	1818
DH2-32	6'-3 1/16"	6'-3 9/16"	1919
DH2-36	6'-11 1/16"	6'-11 9/16"	2122
DH2-40	7'-11 1/16"	7'-11 9/16"	2427



**3 - Wide**  
Width Dimensions

Base Code	Jamb Dimension (Frame Size)	Rough Opening	Metric R.O. (mm)
DH3-16	4'-4 5/8"	4'-5 1/8"	1349
DH3-20	5'-10 5/8"	5'-11 1/8"	1807
DH3-26	7'-4 5/8"	7'-5 1/8"	2264
DH3-28	7'-10 5/8"	7'-11 1/8"	2416
DH3-210	8'-4 5/8"	8'-5 1/8"	2569
DH3-30	8'-10 5/8"	8'-11 1/8"	2721
DH3-32	9'-4 5/8"	9'-5 1/8"	2873



# SIGNATURE SERIES

## DOUBLE HUNG PICTURE WINDOWS (8123)

### Elevations

DOUBLE HUNG

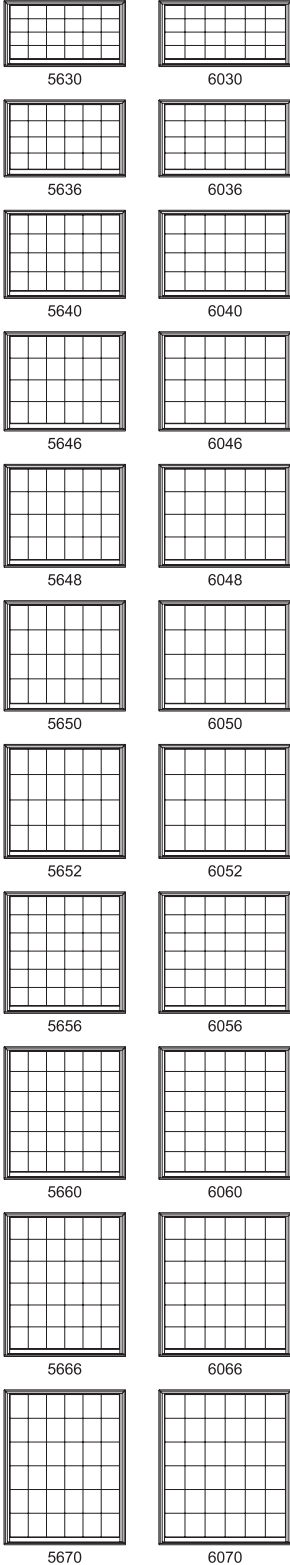
Jamb Dimension	1'-5 1/2"	1'-11 1/2"	2'-5 1/2"	2'-7 1/2"	2'-9 1/2"	2'-11 1/2"	3'-1 1/2"	3'-5 1/2"	3'-11 1/2"	4'-5 1/2"	4'-11 1/2"
Rough Opening	1'-6"	2'-0"	2'-6"	2'-8"	2'-10"	3'-0"	3'-2"	3'-6"	4'-0"	4'-6"	5'-0"
Metric R.O. (mm)	457	610	762	813	864	914	965	1067	1219	1372	1524
Class Size	12"	18"	24"	26"	28"	30"	32"	36"	42"	48"	54"
2'-11 1/2"											
3'-0"	1630	2030	2630	2830	21030	3030	3230	3630	4030	4630	5030
3'-5 1/2"											
3'-6"	1636	2036	2636	2836	21036	3036	3236	3636	4036	4636	5036
3'-11 1/2"											
4'-0"	1640	2040	2640	2840	21040	3040	3240	3640	4040	4640	5040
4'-5 1/2"											
4'-6"	1646	2046	2646	2846	21046	3046	3246	3646	4046	4646	5046
4'-7 1/2"											
4'-8"	1648	2048	2648	2848	21048	3048	3248	3648	4048	4648	5048
4'-11 1/2"											
5'-0"	1650	2050	2650	2850	21050	3050	3250	3650	4050	4650	5050
5'-1 1/2"											
5'-2"	1652	2052	2652	2852	21052	3052	3252	3652	4052	4652	5052
5'-5 1/2"											
5'-6"	1656	2056	2656	2856	21056	3056	3256	3656	4056	4656	5056
5'-11 1/2"											
6'-0"	1660	2060	2660	2860	21060	3060	3260	3660	4060	4660	5060
6'-5 1/2"											
6'-6"	1666	2066	2666	2866	21066	3066	3266	3666	4066	4666	5066
6'-11 1/2"											
7'-0"	1670	2070	2670	2870	21070	3070	3270	3670	4070	4670	5070


# SIGNATURE SERIES

# DOUBLE HUNG PICTURE WINDOWS (8123)


## Elevations

Jamb Dimension	5'-5 1/2"	5'-11 1/2"
Rough Opening	5'-6"	6'-0"
Metric R.O. (mm)	1676	1829
Class Size	60"	66"
6'-1 1/2"	7'-0"	7'-0"
2134	1981	1829
77 13/16"	71 13/16"	65 13/16"
6'-5 1/2"	6'-6"	6'-0"
1981	1829	1676
71 13/16"	71 13/16"	59 13/16"
6'-5 1/2"	6'-6"	5'-5 1/2"
1981	1829	1676
71 13/16"	71 13/16"	55 13/16"
6'-5 1/2"	6'-6"	5'-2"
1981	1829	1575
71 13/16"	71 13/16"	55 13/16"
6'-5 1/2"	6'-6"	5'-1 1/2"
1981	1829	1524
71 13/16"	71 13/16"	53 13/16"
6'-5 1/2"	6'-6"	4'-11 1/2"
1981	1829	1524
71 13/16"	71 13/16"	49 13/16"
6'-5 1/2"	6'-6"	4'-8"
1981	1829	1422
71 13/16"	71 13/16"	49 13/16"
6'-5 1/2"	6'-6"	4'-7 1/2"
1981	1829	1422
71 13/16"	71 13/16"	49 13/16"
6'-5 1/2"	6'-6"	4'-5 1/2"
1981	1829	1372
71 13/16"	71 13/16"	47 13/16"
6'-5 1/2"	6'-6"	4'-5 1/2"
1981	1829	1372
71 13/16"	71 13/16"	47 13/16"
6'-5 1/2"	6'-6"	4'-4"
1981	1829	1219
71 13/16"	71 13/16"	41 13/16"
6'-5 1/2"	6'-6"	3'-11 1/2"
1981	1829	1219
71 13/16"	71 13/16"	41 13/16"
6'-5 1/2"	6'-6"	3'-5 1/2"
1981	1829	1067
71 13/16"	71 13/16"	35 13/16"
6'-5 1/2"	6'-6"	3'-0"
1981	1829	914
71 13/16"	71 13/16"	29 13/16"
6'-1 1/2"	7'-0"	2'-11 1/2"
2134	1981	914
77 13/16"	71 13/16"	29 13/16"



 <b>2 - Wide</b> Width Dimensions			
Base Code	Jamb Dimension (Frame Size)	Rough Opening	Metric R.O. (mm)
DHP2-16	2'-11 1/16"	2'-11 9/16"	903
DHP2-20	3'-11 1/16"	3'-11 9/16"	1208
DHP2-26	4'-11 1/16"	4'-11 9/16"	1513
DHP2-28	5'-3 1/16"	5'-3 9/16"	1614
DHP2-210	5'-7 1/16"	5'-7 9/16"	1716
DHP2-30	5'-11 1/16"	5'-11 9/16"	1818
DHP2-32	6'-3 1/16"	6'-3 9/16"	1919
DHP2-36	6'-11 1/16"	6'-11 9/16"	2122
DHP2-40	7'-11 1/16"	7'-11 9/16"	2427
DHP2-46	8'-11 1/16"	8'-11 9/16"	2732
DHP2-50	9'-11 1/16"	9'-11 9/16"	3037

 <b>3 - Wide</b> Width Dimensions			
Base Code	Jamb Dimension (Frame Size)	Rough Opening	Metric R.O. (mm)
DHP3-16	4'-4 5/8"	4'-5 1/8"	1349
DHP3-20	5'-10 5/8"	5'-11 1/8"	1807
DHP3-26	7'-4 5/8"	7'-5 1/8"	2264
DHP3-28	7'-10 5/8"	7'-11 1/8"	2416
DHP3-210	8'-4 5/8"	8'-5 1/8"	2569
DHP3-30	8'-10 5/8"	8'-11 1/8"	2721
DHP3-32	9'-4 5/8"	9'-5 1/8"	2873



# SIGNATURE SERIES

## DOUBLE HUNG TRANSOM WINDOWS (8117)

### Elevations

Jamb Dimension	1'-5 1/2"	1'-11 1/2"	2'-5 1/2"	2'-7 1/2"	2'-9 1/2"	2'-11 1/2"	3'-1 1/2"	3'-5 1/2"	3'-11 1/2"	4'-5 1/2"	4'-11 1/2"
Rough Opening	1'-6"	2'-0"	2'-6"	2'-8"	2'-10"	3'-0"	3'-2"	3'-6"	4'-0"	4'-6"	5'-0"
Metric R.O. (mm)	457	610	762	813	864	914	965	1067	1219	1372	1524
Class Size	12"	18"	24"	26"	28"	30"	32"	36"	42"	48"	54"

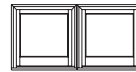
1'-5 1/2"	1616	2016	2616	2816	21016	3016	3216	3616	4016	4616	5016
1'-6"	1618	2018	2618	2818	21018	3018	3218	3618	4018	4618	5018
1'-7 1/2"	1620	2020	2620	2820	21020	3020	3220	3620	4020	4620	5020
1'-8"	1626	2026	2626	2826	21026	3026	3226	3626	4026	4626	5026
1'-11 1/2"	1630	2030	2630	2830	21030	3030	3230	3630	4030	4630	5030

### Double Hung Transom Windows (8117)

Jamb Dimension	5'-5 1/2"	5'-11 1/2"
Rough Opening	5'-6"	6'-0"
Metric R.O. (mm)	1676	1829
Class Size	60"	66"

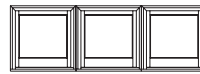
  

5'-5 1/2"	5616	6016
5'-6"	5618	6018
5'-7 1/2"	5620	6020
5'-8"	5626	6026
5'-11 1/2"	5630	6030



**2 - Wide**  
Width Dimensions

Base Code	Jamb Dimension (Frame Size)	Rough Opening	Metric R.O. (mm)
DHT2-16	2'-11 1/16"	2'-11 9/16"	903
DHT2-20	3'-11 1/16"	3'-11 9/16"	1208
DHT2-26	4'-11 1/16"	4'-11 9/16"	1513
DHT2-28	5'-3 1/16"	5'-3 9/16"	1614
DHT2-210	5'-7 1/16"	5'-7 9/16"	1716
DHT2-30	5'-11 1/16"	5'-11 9/16"	1818
DHT2-32	6'-3 1/16"	6'-3 9/16"	1919
DHT2-36	6'-11 1/16"	6'-11 9/16"	2122
DHT2-40	7'-11 1/16"	7'-11 9/16"	2427
DHT2-46	8'-11 1/16"	8'-11 9/16"	2732
DHT2-50	9'-11 1/16"	9'-11 9/16"	3037

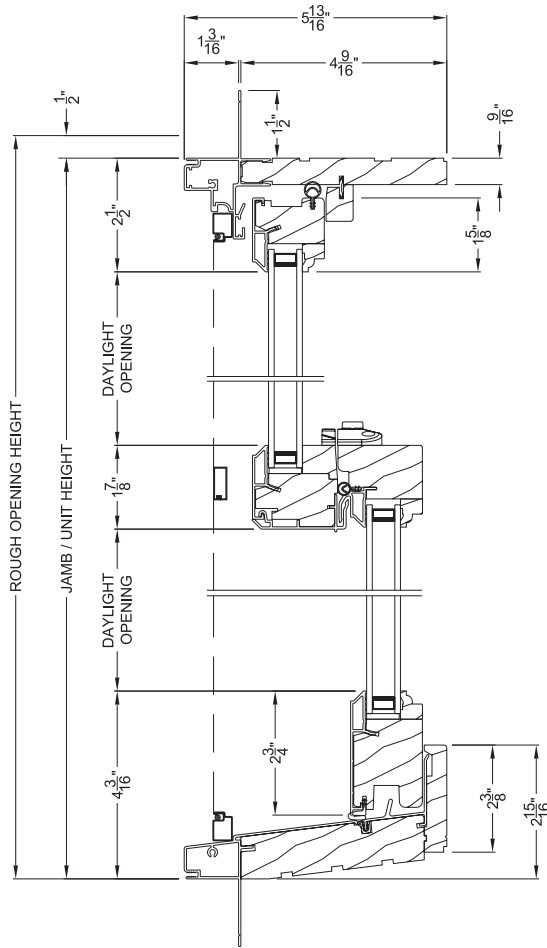


**3 - Wide**  
Width Dimensions

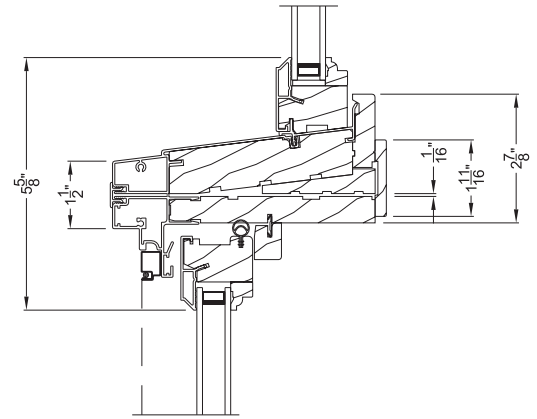
Base Code	Jamb Dimension (Frame Size)	Rough Opening	Metric R.O. (mm)
DHT3-16	4'-4 5/8"	4'-5 1/8"	1349
DHT3-20	5'-10 5/8"	5'-11 1/8"	1807
DHT3-26	7'-4 5/8"	7'-5 1/8"	2264
DHT3-28	7'-10 5/8"	7'-11 1/8"	2416
DHT3-210	8'-4 5/8"	8'-5 1/8"	2569
DHT3-30	8'-10 5/8"	8'-11 1/8"	2721
DHT3-32	9'-4 5/8"	9'-5 1/8"	2873

# SIGNATURE SERIES DOUBLE HUNG WINDOWS (8122)

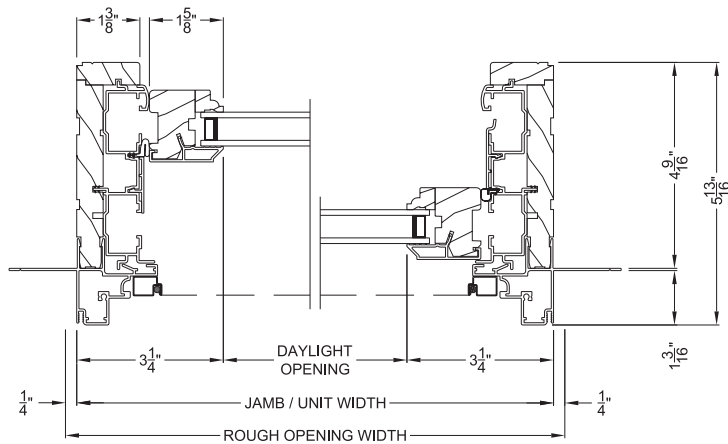
## Cross Sections



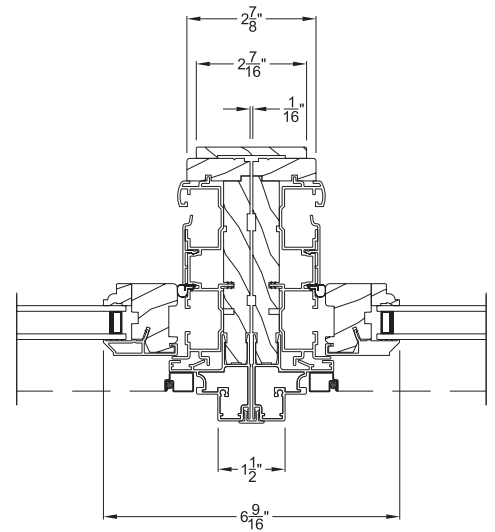
**SIGNATURE DOUBLE HUNG WINDOW (8122)**  
Vertical Section



**SIGNATURE DOUBLE HUNG WINDOW**  
Horizontal Stack Section - Transom Stack over DH



**SIGNATURE DOUBLE HUNG WINDOW (8122)**  
Horizontal Section



**SIGNATURE DOUBLE HUNG WINDOW**  
Vertical Mull Section - DH / DH

Note: All dimensions are approximate. Weather Shield reserves the right to change specifications without notice.

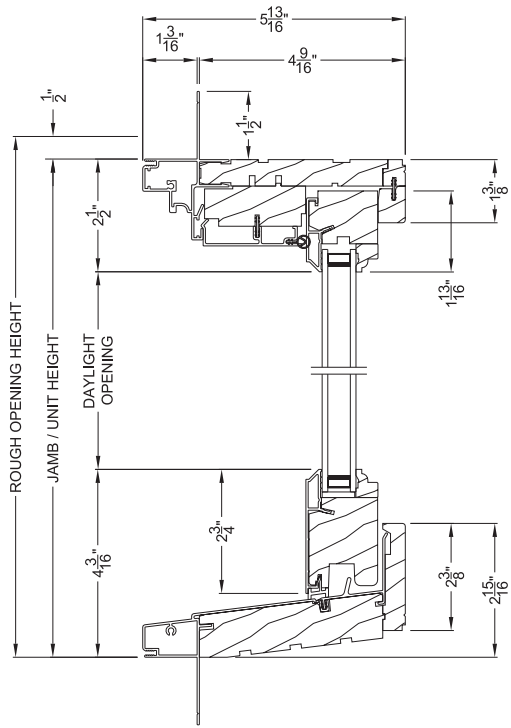


# SIGNATURE SERIES

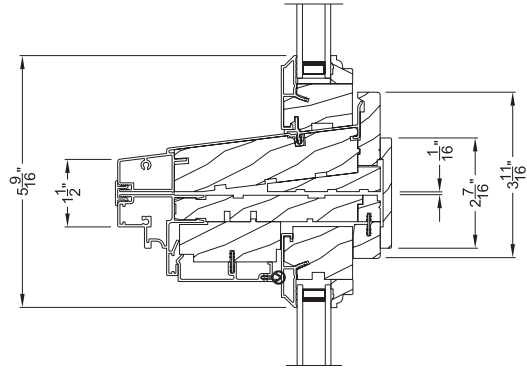
## DOUBLE HUNG PICTURE WINDOWS (8123)

### Cross Sections

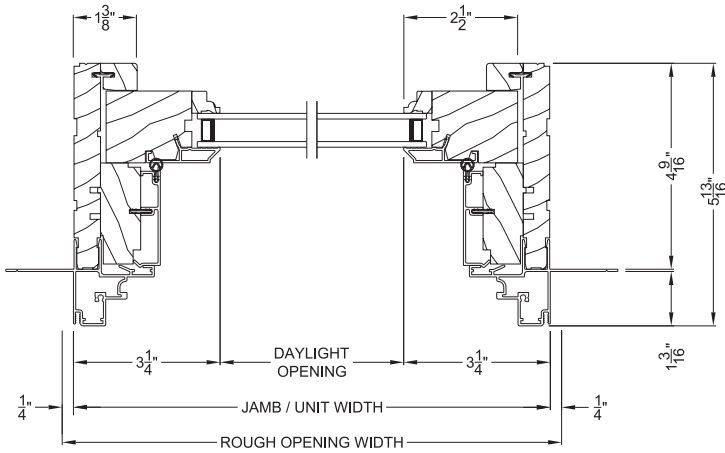
DOUBLE HUNG



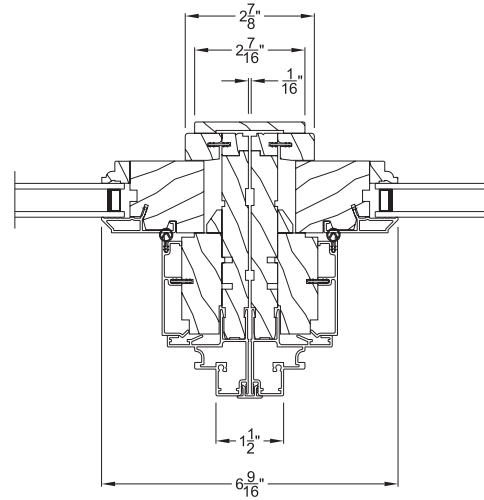
**SIGNATURE DOUBLE HUNG PICTURE (8123)**  
Vertical Section



**SIGNATURE DOUBLE HUNG PICTURE**  
Horizontal Stack Section - Transom Stack over Picture



**SIGNATURE DOUBLE HUNG PICTURE (8123)**  
Horizontal Section



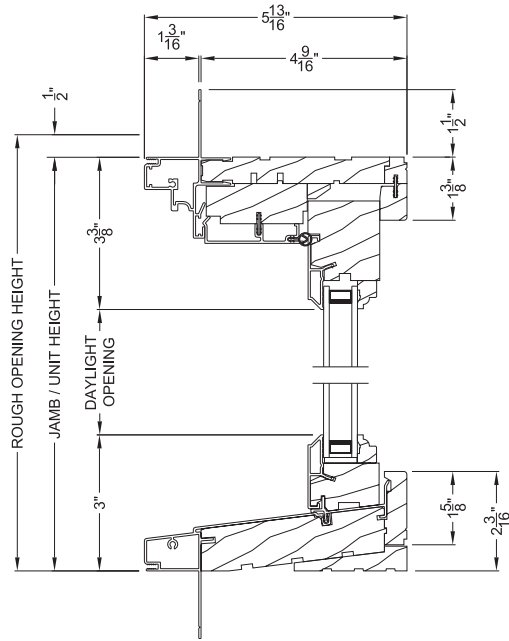
**SIGNATURE DOUBLE HUNG PICTURE**  
Vertical Mull Section - Picture / Picture

Note: All dimensions are approximate. Weather Shield reserves the right to change specifications without notice.

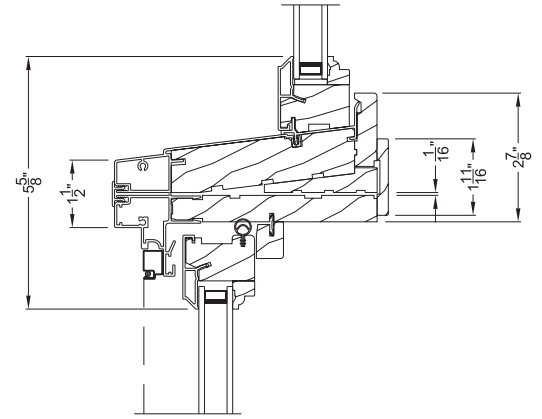
# SIGNATURE SERIES

## DOUBLE HUNG TRANSOM WINDOWS (8117)

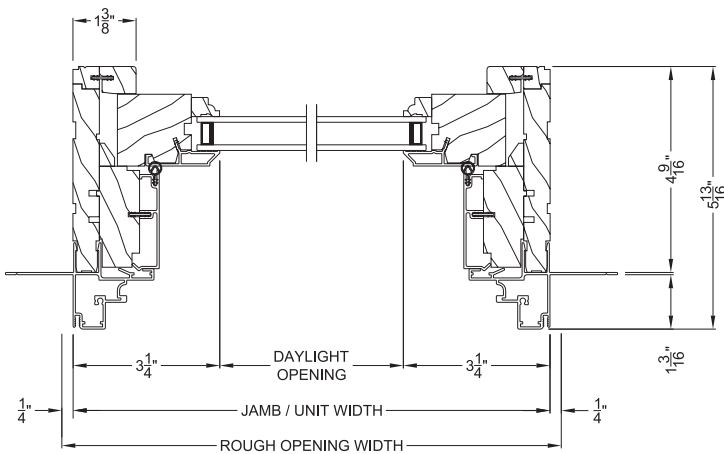
### Cross Sections



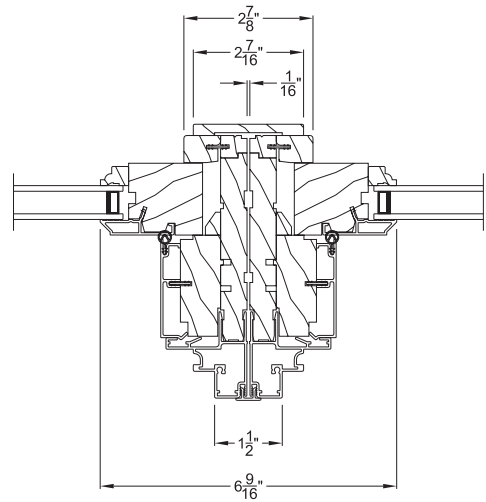
**SIGNATURE DOUBLE HUNG TRANSOM (8117)**  
Vertical Section



**SIGNATURE DOUBLE HUNG WINDOW**  
Horizontal Stack Section - Transom Stack over DH



**SIGNATURE DOUBLE HUNG TRANSOM (8117)**  
Horizontal Section



**SIGNATURE DOUBLE HUNG TRANSOM**  
Vertical Mull Section - Transom / Transom

Note: All dimensions are approximate. Weather Shield reserves the right to change specifications without notice.



# SIGNATURE SERIES

## DOUBLE HUNG WINDOWS (8122)

### Opening Specifications

Call Size	Sq. Ft. Clear Opening	Clear Opening		Sq. Ft. Daylight Opening	Sq. Ft. Vent	Top of Subfloor to Top of Sill Stop <sup>a</sup>	Sq. Ft. Overall Unit Area <sup>b</sup>
		Width	Height				
1630	1.185	13.914	12.268	2.063	1.185	48.063	4.31
1636	1.475	13.914	15.268	2.521	1.475	42.063	5.04
1640	1.765	13.914	18.268	2.979	1.765	36.063	5.77
1646	2.055	13.914	21.268	3.438	2.055	30.063	6.50
1648	2.152	13.914	22.268	3.590	2.152	28.063	6.74
1650	2.345	13.914	24.268	3.896	2.345	24.063	7.23
1652	2.442	13.914	25.268	4.049	2.442	22.063	7.47
1656	2.635	13.914	27.268	4.354	2.635	18.063	7.96
1660	2.925	13.914	30.268	4.813	2.925	36.063	8.69
1666	3.013	13.914	31.180	5.271	3.013	30.063	9.42
1670	3.013	13.914	31.180	5.729	3.013	24.063	10.15
2030	1.697	19.914	12.268	3.188	1.697	48.063	5.79
2036	2.111	19.914	15.268	3.896	2.111	42.063	6.77
2040	2.526	19.914	18.268	4.604	2.526	36.063	7.75
2046	2.941	19.914	21.268	5.313	2.941	30.063	8.73
2048	3.079	19.914	22.268	5.549	3.079	28.063	9.06
2050	3.356	19.914	24.268	6.021	3.356	24.063	9.71
2052	3.494	19.914	25.268	6.257	3.494	22.063	10.04
2056	3.771	19.914	27.268	6.729	3.771	18.063	10.69
2060	4.186	19.914	30.268	7.438	4.186	36.063	11.67
2066	4.095	19.914	29.610	8.146	4.095	30.063	12.65
2070	4.095	19.914	29.610	8.854	4.095	24.063	13.63
2630	2.208	25.914	12.268	4.313	2.208	48.063	7.27
2636	2.748	25.914	15.268	5.271	2.748	42.063	8.50
2640	3.287	25.914	18.268	6.229	3.287	36.063	9.73
2646	3.827	25.914	21.268	7.188	3.827	30.063	10.96
2648	4.007	25.914	22.268	7.507	4.007	28.063	11.37
2650	4.367	25.914	24.268	8.146	4.367	24.063	12.19
2652	4.547	25.914	25.268	8.465	4.547	22.063	12.60
2656	4.907	25.914	27.268	9.104	4.907	18.063	13.42
2660	5.329	25.914	29.610	10.063	5.329	36.063	14.65
2666	5.329	25.914	29.610	11.021	5.329	30.063	15.88
2670	5.329	25.914	29.610	11.979	5.329	24.063	17.11
2830	2.378	27.914	12.268	4.688	2.378	48.063	7.77
2836	2.960	27.914	15.268	5.729	2.960	42.063	9.08
2840	3.541	27.914	18.268	6.771	3.541	36.063	10.39
2846	4.123	27.914	21.268	7.813	4.123	30.063	11.70
2848	4.317	27.914	22.268	8.160	4.317	28.063	12.14
2850	4.704	27.914	24.268	8.854	4.704	24.063	13.02
2852	4.898	27.914	25.268	9.201	4.898	22.063	13.45
2856	5.286	27.914	27.268	9.896	5.286	18.063	14.33
2860	5.740	27.914	29.610	10.938	5.740	36.063	15.64
2866	5.740	27.914	29.610	11.979	5.740	30.063	16.95
2870	5.740	27.914	29.610	13.021	5.740	24.063	18.27
21030	2.549	29.914	12.268	5.063	2.549	48.063	8.26
21036	3.172	29.914	15.268	6.188	3.172	42.063	9.65
21040	3.795	29.914	18.268	7.313	3.795	36.063	11.05
21046	4.418	29.914	21.268	8.438	4.418	30.063	12.45
21048	4.626	29.914	22.268	8.813	4.626	28.063	12.91
21050	5.041	29.914	24.268	9.563	5.041	24.063	13.84
21052	5.249	29.914	25.268	9.938	5.249	22.063	14.31
21056	5.665	29.914	27.268	10.688	5.665	18.063	15.24
21056 E	5.768	29.914	27.768	10.688	5.768	18.063	15.24
21060	6.151	29.914	29.610	11.813	6.151	36.063	16.63
21066	6.151	29.914	29.610	12.938	6.151	30.063	18.03
21070	6.151	29.914	29.610	14.063	6.151	24.063	19.43

Shaded sizes meet or exceed egress opening requirements per 2006 IBC (International Building Code) minimum dimensions of 20" clear opening width, 24" clear opening height, 5.7 sq. ft. clear opening and floor to bottom of clear opening not to exceed 44".

<sup>a</sup> Floor to bottom of clear opening dimensions are based on 82" jamb height of a 6-10 door.

All units over 66" RO height are based off 106" jamb height for floor to clear opening dimension

<sup>b</sup> Sq. Ft. Overall Unit Area is calculated on the jamb dimension.

21056 (E) has a slightly modified sash proportion to meet egress. Top sash glass is 1" taller than the bottom.

# SIGNATURE SERIES

## DOUBLE HUNG WINDOWS (8122)

### Opening Specifications

Call Size	Sq. Ft. Clear Opening	Clear Opening		Sq. Ft. Daylight Opening	Sq. Ft. Vent	Top of Subfloor to Top of Sill Stop <sup>a</sup>	Sq. Ft. Overall Unit Area <sup>b</sup>
		Width	Height				
3030	2.719	31.914	12.268	5.438	2.719	48.063	8.75
3036	3.384	31.914	15.268	6.646	3.384	42.063	10.23
3040	4.049	31.914	18.268	7.854	4.049	36.063	11.71
3046	4.714	31.914	21.268	9.063	4.714	30.063	13.19
3048	4.935	31.914	22.268	9.465	4.935	28.063	13.68
3050	5.378	31.914	24.268	10.271	5.378	24.063	14.67
3052	5.600	31.914	25.268	10.674	5.600	22.063	15.16
3052 E	5.711	31.914	25.768	10.674	5.711	22.063	15.16
3056	6.043	31.914	27.268	11.479	6.043	18.063	16.15
3060	6.562	31.914	29.610	12.688	6.562	36.063	17.63
3066	6.562	31.914	29.610	13.896	6.562	30.063	19.11
3070	6.562	31.914	29.610	15.104	6.562	24.063	20.59
3152	5.890	32.914	25.768	11.250	5.890	21.063	15.84
3230	2.889	33.914	12.268	5.813	2.889	48.063	9.24
3236	3.596	33.914	15.268	7.104	3.596	42.063	10.81
3240	4.302	33.914	18.268	8.396	4.302	36.063	12.37
3246	5.009	33.914	21.268	9.688	5.009	30.063	13.93
3248	5.244	33.914	22.268	10.118	5.244	28.063	14.45
3250	5.715	33.914	24.268	10.979	5.715	24.063	15.49
3252	5.951	33.914	25.268	11.410	5.951	22.063	16.02
3256	6.422	33.914	27.268	12.271	6.422	18.063	17.06
3260	6.974	33.914	29.610	13.563	6.974	36.063	18.62
3266	6.974	33.914	29.610	14.854	6.974	30.063	20.18
3270	6.974	33.914	29.610	16.146	6.974	24.063	21.74
3630	3.230	37.914	12.268	6.563	3.230	48.063	10.23
3636	4.020	37.914	15.268	8.021	4.020	42.063	11.96
3640	4.810	37.914	18.268	9.479	4.810	36.063	13.69
3646	5.600	37.914	21.268	10.938	5.600	30.063	15.42
3648	5.863	37.914	22.268	11.424	5.863	28.063	15.99
3650	6.390	37.914	24.268	12.396	6.390	24.063	17.15
3652	6.653	37.914	25.268	12.882	6.653	22.063	17.72
3656	7.179	37.914	27.268	13.854	7.179	18.063	18.88
3660	7.796	37.914	29.610	15.313	7.796	36.063	20.61
3666	7.796	37.914	29.610	16.771	7.796	30.063	22.34
3670	7.368	37.914	27.986	18.229	7.368	24.063	24.06
4030	3.741	43.914	12.268	7.688	3.741	48.063	11.71
4036	4.656	43.914	15.268	9.396	4.656	42.063	13.69
4040	5.571	43.914	18.268	11.104	5.571	36.063	15.67
4046	6.486	43.914	21.268	12.813	6.486	30.063	17.65
4048	6.791	43.914	22.268	13.382	6.791	28.063	18.31
4050	7.401	43.914	24.268	14.521	7.401	24.063	19.63
4052	7.706	43.914	25.268	15.090	7.706	22.063	20.29
4056	8.316	43.914	27.268	16.229	8.316	18.063	21.61
4060	8.535	43.914	27.986	17.938	8.535	36.063	23.59
4066	8.535	43.914	27.986	19.646	8.535	30.063	25.56
4070	8.535	43.914	27.986	21.354	8.535	24.063	27.54

Shaded sizes meet or exceed egress opening requirements per 2006 IBC (International Building Code) minimum dimensions of 20 clear opening width, 24" clear opening height, 5.7 sq. ft. clear opening and floor to bottom of clear opening not to exceed 44".

<sup>a</sup> Floor to bottom of clear opening dimensions are based on 82" jamb height of a 6-10 door.

All units over 66" RO height are based off 106" jamb height for floor to clear opening dimension

<sup>b</sup> Sq. Ft. Overall Unit Area is calculated on the jamb dimension.

3052 (E) has a slightly modified sash proportion to meet egress. Top sash glass is 1" taller than the bottom.



# SIGNATURE SERIES

## CASEMENT WINDOWS

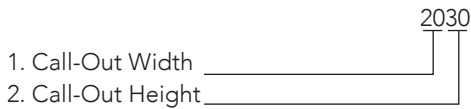
---

### Case ment Windows Table of Contents

Case ment Windows Footnotes.....	22	Case ment Windows Cross Sections.....	28
Case ment Windows Quick Spec Guide.....	23	Case ment Windows Opening Specifications.....	30
Case ment Windows Elevations.....	24		

### Size Codes:

The Weather Shield size code uses meaningful characters to denote standard sizes. For example:



### Product Information:

- Always specify hinge code location: L (left), R (right), S (stationary) as viewed from the exterior.

### Egress Information:

Units in gray meet or exceed egress opening requirements per 2015 IBC (International Building Code) minimum dimensions of 20" [508mm] clear opening width, 24" [610mm] clear opening height, 5.7 sq. ft. [5295cm<sup>2</sup>] clear opening and floor to bottom of clear opening not to exceed 44" [1118mm] in height. Verify local or state egress opening sizes with your local building inspector. Floor to bottom of clear opening dimensions are based on 82" [2083mm] jamb height of Weather Shield French doors and center hinged French doors. See Opening Specification chart for reference.

# SIGNATURE SERIES

## CASEMENT WINDOWS (8219)

### Quick Spec Guide

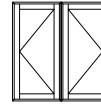
SPECIFICATION	STANDARD FEATURES	OPTIONAL FEATURES
<b>EXTERIOR FINISH</b>	<ul style="list-style-type: none"> <li>White</li> <li>Cameo</li> <li>Tan</li> <li>Desert Tan</li> <li>Heritage Brown</li> <li>Adobe</li> <li>Craftsman Bronze</li> <li>Brick Red</li> <li>Hartford Green</li> <li>Gray Matters</li> <li>Obsidian</li> <li>Jet Black</li> </ul>	
<b>EXTERIOR TRIM</b>	<ul style="list-style-type: none"> <li>Integral Nail Fin</li> <li>Drip Cap</li> </ul>	<ul style="list-style-type: none"> <li>7/8" Brickmold</li> <li>1-11/16" Brickmold</li> <li>1-11/16" Flat Casing</li> <li>3-5/16" Flat Casing</li> <li>Historical Brickmold</li> <li>3/4" Sill Nosing</li> <li>1" Bull Nose</li> <li>1" Full Round Bull Nose</li> <li>2" Bull Nose</li> </ul>
<b>INTERIOR FINISH</b>	<ul style="list-style-type: none"> <li>Natural</li> </ul>	<ul style="list-style-type: none"> <li>Clear Satin</li> <li>Fruitwood</li> <li>Rich Mahogany</li> <li>Primed</li> <li>Golden Oak</li> <li>Chestnut</li> <li>Prefinished White &amp; Black</li> <li>Poly – White &amp; Jet Black</li> </ul>
<b>INTERIOR SPECIES</b>	<ul style="list-style-type: none"> <li>Pine</li> </ul>	<ul style="list-style-type: none"> <li>Character Alder</li> <li>Mixed Grain Fir</li> </ul>
<b>SIZE</b>	<ul style="list-style-type: none"> <li>Width Casements and Casement Pictures 1-6, 1-8, 2-0, 2-4, 2-6, 2-8, 3-0 Casement Pictures 4-0, 4-6, 5-0, 5-6, 6-0</li> <li>Height Casements and Casement Pictures 2-0, 2-6, 3-0, 3-6, 4-0, 4-6, 5-0, 5-6, 6-0, 6-6 7-0</li> </ul>	<ul style="list-style-type: none"> <li>Casements: Any jamb width: 17-1/2" to 35-1/2"</li> <li>Casement Picture Units: Any jamb width: 17-1/2" to 71-1/2"</li> <li>Casements and Casement Pictures: Any jamb height: 17-1/2" to 83-1/2"</li> </ul>
<b>GLAZING</b>	<ul style="list-style-type: none"> <li>Low-E Insulating Glass</li> </ul>	<ul style="list-style-type: none"> <li>Clear IG</li> <li>Low-E 240</li> <li>Zo-e-shield 5</li> <li>Zo-e-shield Extreme</li> <li>Zo-e Shield 6 (laminated)</li> <li>Grey or Bronze Tint</li> <li>Obscure</li> <li>Tempered</li> </ul>
<b>GRILLES</b>		<ul style="list-style-type: none"> <li>GBG: 5/8" Flat or 11/16" Sculptured</li> <li>SDL: 5/8", 7/8", 1-1/8", 2" (limited cut styles)</li> <li>Wood Grille: 7/8"</li> </ul>
<b>HARDWARE</b>	<ul style="list-style-type: none"> <li>Nested Crank Handle</li> <li>Concealed Locking System</li> <li>Handle and Cover Ship Separately</li> </ul>	<ul style="list-style-type: none"> <li>Seacoast</li> <li>Handle and Cover Applied</li> <li>Limit Stops</li> <li>WOCD</li> </ul>
<b>HARDWARE COLOR</b>	<ul style="list-style-type: none"> <li>Tan</li> <li>Rustic Bronze</li> <li>White</li> <li>Black</li> </ul>	<ul style="list-style-type: none"> <li>Brushed Nickel</li> <li>Bright Brass</li> </ul>
<b>JAMB</b>	<ul style="list-style-type: none"> <li>4-9/16"</li> <li>Standard Jamb Extension</li> </ul>	<ul style="list-style-type: none"> <li>3-1/16 Min</li> <li>12" Max</li> </ul>
<b>SCREENS</b>	<ul style="list-style-type: none"> <li>No-See-um Mesh</li> </ul>	<ul style="list-style-type: none"> <li>Aluminum Non-Glare</li> </ul>
<b>SCREEN FRAME COLOR</b>	<ul style="list-style-type: none"> <li>Tan</li> <li>Craftsman Bronze</li> <li>White</li> <li>Jet Black</li> </ul>	<ul style="list-style-type: none"> <li>Champagne Anodized</li> <li>Bright Brass</li> <li>Wood Wrapped</li> </ul>

# SIGNATURE SERIES

## CASEMENT WINDOWS (8219)

### Elevations

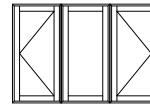
Jamb Dimension	1'-5 1/2"	1'-7 1/2"	1'-11 1/2"	2'-3 1/2"	2'-5 1/2"	2'-7 1/2"	2'-11 1/2"
Rough Opening	1'-6"	1'-8"	2'-0"	2'-4"	2'-6"	2'-8"	3'-0"
Metric R.O. (mm)	457	508	610	711	762	813	914
Class Size	13 3/8"	15 3/8"	19 3/8"	23 3/8"	25 3/8"	27 3/8"	31 3/8"
1'-11 1/2"							
2'-0"	1620	1820	2020	2420	2620	2820	3020
2'-5 1/2"							
2'-6"	1626	1826	2026	2426	2626	2826	3026
2'-11 1/2"							
3'-0"	1630	1830	2030	2430	2630	2830	3030
3'-5 1/2"							
3'-6"	1636	1836	2036	2436	2636	2836	3036
3'-11 1/2"							
4'-0"	1640	1840	2040	2440	2640	2840	3040
4'-5 1/2"							
4'-6"	1646	1846	2046	2446	2646	2846	3046
4'-11 1/2"							
5'-0"	1650	1850	2050	2450	2650	2850	3050
5'-5 1/2"							
5'-6"	1656	1856	2056	2456	2656	2856	3056
5'-11 1/2"							
6'-0"	1660	1860	2060	2460	2660	2860	3060
6'-5 1/2"							
6'-6"	1666	1866	2066	2466	2666	2866	3066
6'-11 1/2"							
7'-0"	1670	1870	2070	2470	2670	2870	3070



### 2 - Wide Units

Width Dimensions

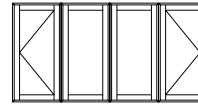
Base Code	Jamb Dimension (Frame Size)	Rough Opening	Metric R.O. (mm)
CS2-16	2'-11 1/16"	2'-11 9/16"	903
CS2-18	3'-3 1/16"	3'-3 9/16"	1005
CS2-20	3'-11 1/16"	3'-11 9/16"	1208
CS2-24	4'-7 1/16"	4'-7 9/16"	1411
CS2-26	4'-11 1/16"	4'-11 9/16"	1513
CS2-28	5'-3 1/16"	5'-3 9/16"	1614
CS2-30	5'-11 1/16"	5'-11 9/16"	1818



### 3 - Wide Units

Width Dimensions

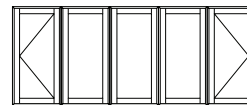
Base Code	Jamb Dimension (Frame Size)	Rough Opening	Metric R.O. (mm)
CS3-16	4'-4 5/8"	4'-5 1/8"	1349
CS3-18	4'-10 5/8"	4'-11 1/8"	1502
CS3-20	5'-10 5/8"	5'-11 1/8"	1807
CS3-24	6'-10 5/8"	6'-11 1/8"	2111
CS3-26	7'-4 5/8"	7'-5 1/8"	2264
CS3-28	7'-10 5/8"	7'-11 1/8"	2416
CS3-30	8'-10 5/8"	8'-11 1/8"	2721



### 4 - Wide Units

Width Dimensions

Base Code	Jamb Dimension (Frame Size)	Rough Opening	Metric R.O. (mm)
CS4-16	5'-10 3/16"	5'-10 11/16"	1795
CS4-18	6'-6 3/16"	6'-6 11/16"	1999
CS4-20	7'-10 3/16"	7'-10 11/16"	2405
CS4-24	9'-2 3/16"	9'-2 11/16"	2811
CS4-26	9'-10 3/16"	9'-10 11/16"	3015



### 5 - Wide Units

Width Dimensions

Base Code	Jamb Dimension (Frame Size)	Rough Opening	Metric R.O. (mm)
CS4-16	7'-3 3/4"	7'-4 1/4"	2242
CS4-18	8'-1 3/4"	8'-2 1/4"	2496
CS4-20	9'-9 3/4"	9'-10 1/4"	3004



# SIGNATURE SERIES

## CASEMENT PICTURE WINDOWS (8219)

### Elevations

Jamb Dimension	1'-5 1/2"	1'-7 1/2"	1'-11 1/2"	2'-3 1/2"	2'-5 1/2"	2'-7 1/2"	2'-11 1/2"	3'-5 1/2"	3'-11 1/2"	4'-5 1/2"	4'-11 1/2"
Rough Opening	1'-6"	1'-8"	2'-0"	2'-4"	2'-6"	2'-8"	3'-0"	3'-6"	4'-0"	4'-6"	5'-0"
Metric R.O. (mm)	457	508	610	711	762	813	914	1067	1219	1372	1524
Glass Size	13 3/8"	15 3/8"	19 3/8"	23 3/8"	25 3/8"	27 3/8"	31 3/8"	37 3/8"	43 3/8"	49 3/8"	55 3/8"
1'-5 1/2"	1616	1816	2016	2416	2616	2816	3016	3616	4016	4616	5016
1'-7 1/2"	1618	1818	2018	2418	2618	2818	3018	3618	4018	4618	5018
1'-11 1/2"	1620	1820	2020	2420	2620	2820	3020	3620	4020	4620	5020
2'-5 1/2"	1626	1826	2026	2426	2626	2826	3026	3626	4026	4626	5026
2'-11 1/2"	1630	1830	2030	2430	2630	2830	3030	3630	4030	4630	5030
3'-5 1/2"	1636	1836	2036	2436	2636	2836	3036	3636	4036	4636	5036
3'-11 1/2"	1640	1840	2040	2440	2640	2840	3040	3640	4040	4640	5040
4'-5 1/2"	1646	1846	2046	2446	2646	2846	3046	3646	4046	4646	5046
4'-11 1/2"	1650	1850	2050	2450	2650	2850	3050	3650	4050	4650	5050
5'-5 1/2"	1656	1856	2056	2456	2656	2856	3056	3656	4056	4656	5056
5'-11 1/2"	1660	1860	2060	2460	2660	2860	3060	3660	4060	4660	5060
6'-5 1/2"	1666	1866	2066	2466	2666	2866	3066	3666	4066	4666	5066
6'-11 1/2"	1670	1870	2070	2470	2670	2870	3070	3670	4070	4670	5070

# SIGNATURE SERIES

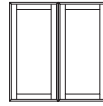
## CASEMENT PICTURE WINDOWS (8219)

### Elevations

Jamb Dimension	5'-5 1/2"	5'-11 1/2"
Rough Opening	5'-6"	6'-0"
Metric R.O. (mm)	1676	1829
Glass Size	61 3/8"	67 3/8"

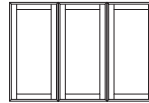
6'-11 1/2"	7'-0"	2134	79 3/8"		
6'-5 1/2"	6'-6"	1981	73 3/8"		
5'-11 1/2"	6'-0"	1829	67 3/8"		
5'-5 1/2"	5'-6"	1676	61 3/8"		
4'-11 1/2"	5'-0"	1524	55 3/8"		
4'-5 1/2"	4'-6"	1372	49 3/8"		
3'-11 1/2"	4'-0"	1219	43 3/8"		
3'-5 1/2"	3'-6"	1067	37 3/8"		
2'-11 1/2"	3'-0"	914	31 3/8"		
2'-5 1/2"	2'-6"	762	25 3/8"		
1'-11 1/2"	2'-0"	610	19 3/8"		
1'-7 1/2"	1'-8"	508	15 3/8"		
1'-5 1/2"	1'-6"	457	13 3/8"		



### 2 - Wide Units

Width Dimensions

Base Code	Jamb Dimension (Frame Size)	Rough Opening	Metric R.O. (mm)
CS2-16	2'-11 1/16"	2'-11 9/16"	903
CS2-18	3'-3 1/16"	3'-3 9/16"	1005
CS2-20	3'-11 1/16"	3'-11 9/16"	1208
CS2-24	4'-7 1/16"	4'-7 9/16"	1411
CS2-26	4'-11 1/16"	4'-11 9/16"	1513
CS2-28	5'-3 1/16"	5'-3 9/16"	1614
CS2-30	5'-11 1/16"	5'-11 9/16"	1818
CS2-36	6'-11 1/16"	6'-11 9/16"	2122
CS2-40	7'-11 1/16"	7'-11 9/16"	2427
CS2-46	8'-11 1/16"	8'-11 9/16"	2732
CS2-50	9'-11 1/16"	9'-11 9/16"	3037



### 3 - Wide Units

Width Dimensions

Base Code	Jamb Dimension (Frame Size)	Rough Opening	Metric R.O. (mm)
CS3-16	4'-4 5/8"	4'-5 1/8"	1349
CS3-18	4'-10 5/8"	4'-11 1/8"	1502
CS3-20	5'-10 5/8"	5'-11 1/8"	1807
CS3-24	6'-10 5/8"	6'-11 1/8"	2111
CS3-26	7'-4 5/8"	7'-5 1/8"	2264
CS3-28	7'-10 5/8"	7'-11 1/8"	2416
CS3-30	8'-10 5/8"	8'-11 1/8"	2721

# SIGNATURE SERIES

## CASEMENT TRANSOM WINDOWS (8219)

### Elevations

Jamb Dimension	1'-5 1/2"	1'-7 1/2"	1'-11 1/2"	2'-3 1/2"	2'-5 1/2"	2'-7 1/2"	2'-11 1/2"	3'-5 1/2"	3'-11 1/2"	4'-5 1/2"	4'-11 1/2"
Rough Opening	1'-6"	1'-8"	2'-0"	2'-4"	2'-6"	2'-8"	3'-0"	3'-6"	4'-0"	4'-6"	5'-0"
Metric R.O. (mm)	457	508	610	711	762	813	914	1067	1219	1372	1524
Glass Size	13 3/8"	15 3/8"	19 3/8"	23 3/8"	25 3/8"	27 3/8"	31 3/8"	37 3/8"	43 3/8"	49 3/8"	55 3/8"

1'-5 1/2"											
1'-6"	1616	1816	2016	2416	2616	2816	3016	3616	4016	4616	5016
1'-7 1/2"											
1'-8"	1618	1818	2018	2418	2618	2818	3018	3618	4018	4618	5018
1'-11 1/2"											
2'-0"	1620	1820	2020	2420	2620	2820	3020	3620	4020	4620	5020
2'-5 1/2"											
2'-6"	1626	1826	2026	2426	2626	2826	3026	3626	4026	4626	5026
2'-11 1/2"											
3'-0"	1630	1830	2030	2430	2630	2830	3030	3630	4030	4630	5030
3'-11 1/2"											
3'-11 1/2"	1630	1830	2030	2430	2630	2830	3030	3630	4030	4630	5030

Jamb Dimension	5'-5 1/2"	5'-11 1/2"
Rough Opening	5'-6"	6'-0"
Metric R.O. (mm)	1676	1829
Glass Size	61 3/8"	67 3/8"

1'-5 1/2"		
1'-6"	5616	6016
1'-7 1/2"		
1'-8"	5618	6018
1'-11 1/2"		
2'-0"	5620	6020
2'-5 1/2"		
2'-6"	5626	6026
2'-11 1/2"		
3'-0"	5630	6030
3'-11 1/2"		
3'-11 1/2"	5630	6030

 2 - Wide Units Width Dimensions				 3 - Wide Units Width Dimensions				 4 - Wide Units Width Dimensions			
Base Code	Jamb Dimension (Frame Size)	Rough Opening	Metric R.O. (mm)	Base Code	Jamb Dimension (Frame Size)	Rough Opening	Metric R.O. (mm)	Base Code	Jamb Dimension (Frame Size)	Rough Opening	Metric R.O. (mm)
CS2-16	2'-11 1/16"	2'-11 9/16"	903	CS3-16	4'-4 5/8"	4'-5 1/8"	1349	CS4-16	5'-10 3/16"	5'-10 11/16"	1795
CS2-18	3'-3 1/16"	3'-3 9/16"	1005	CS3-18	4'-10 5/8"	4'-11 1/8"	1502	CS4-18	6'-6 3/16"	6'-6 11/16"	1999
CS2-20	3'-11 1/16"	3'-11 9/16"	1208	CS3-20	5'-10 5/8"	5'-11 1/8"	1807	CS4-20	7'-10 3/16"	7'-10 11/16"	2405
CS2-24	4'-7 1/16"	4'-7 9/16"	1411	CS3-24	6'-10 5/8"	6'-11 1/8"	2111	CS4-24	9'-2 3/16"	9'-2 11/16"	2811
CS2-26	4'-11 1/16"	4'-11 9/16"	1513	CS3-26	7'-4 5/8"	7'-5 1/8"	2264	CS4-26	9'-10 3/16"	9'-10 11/16"	3015
CS2-28	5'-3 1/16"	5'-3 9/16"	1614	CS3-28	7'-10 5/8"	7'-11 1/8"	2416	 5 - Wide Units Width Dimensions			
CS2-30	5'-11 1/16"	5'-11 9/16"	1818	CS3-30	8'-10 5/8"	8'-11 1/8"	2721				
CS2-36	6'-11 1/16"	6'-11 9/16"	2122								
CS2-40	7'-11 1/16"	7'-11 9/16"	2427								
CS2-46	8'-11 1/16"	8'-11 9/16"	2732								
CS2-50	9'-11 1/16"	9'-11 9/16"	3037								
								Base Code	Jamb Dimension (Frame Size)	Rough Opening	Metric R.O. (mm)
								CS4-16	7'-3 3/4"	7'-4 1/4"	2242
								CS4-18	8'-1 3/4"	8'-2 1/4"	2496
								CS4-20	9'-9 3/4"	9'-10 1/4"	3004

CASEMENT

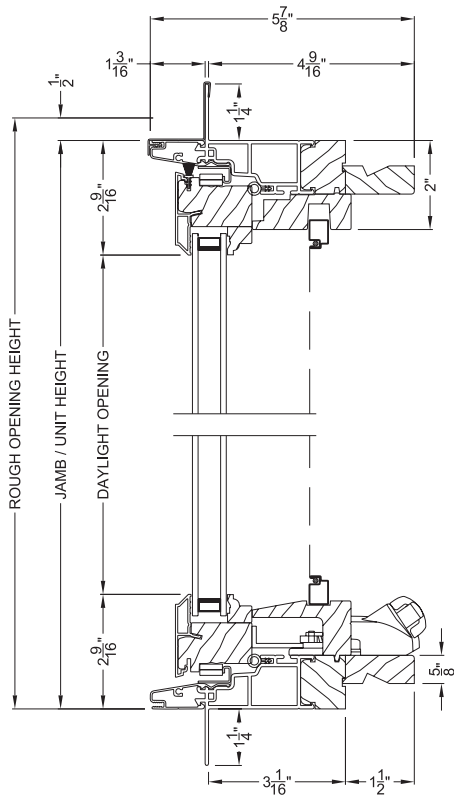


# SIGNATURE SERIES

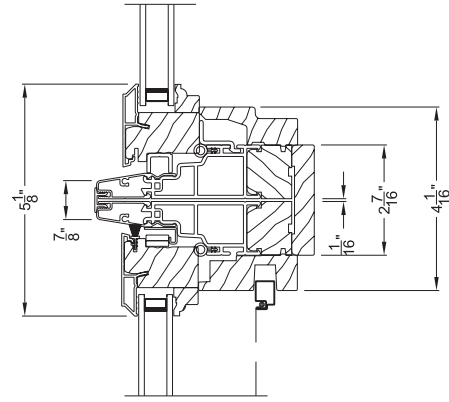
## CASEMENT WINDOWS (8219)

### Cross Sections

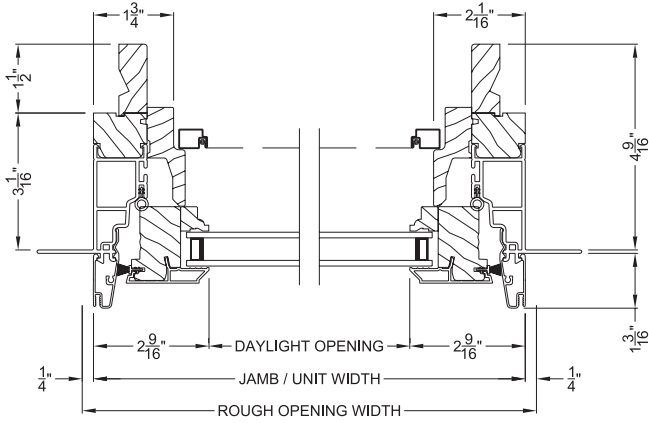
CASEMENT



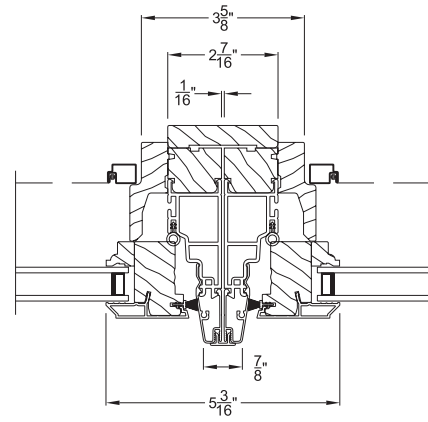
**SIGNATURE CASEMENT WINDOW (8219)**  
Vertical Section



**SIGNATURE CASEMENT WINDOW**  
Horizontal Stack Section - Transom Stack over Casement



**SIGNATURE CASEMENT WINDOW (8219)**  
Horizontal Section



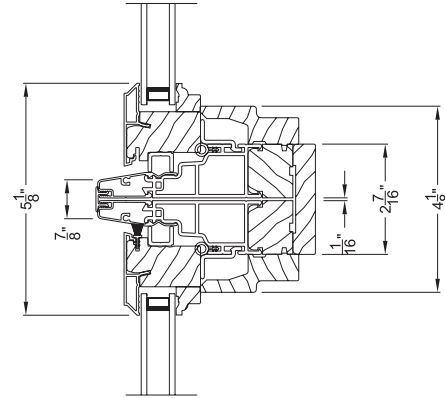
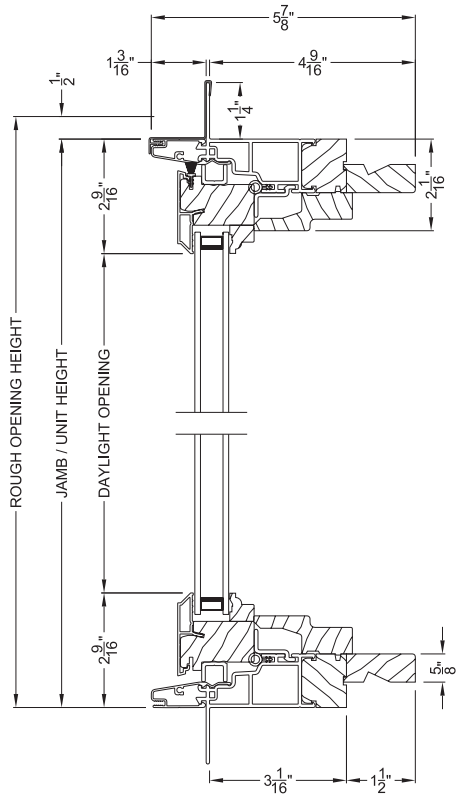
**SIGNATURE CASEMENT WINDOW**  
Vertical Mull Section

Note: All dimensions are approximate. Weather Shield reserves the right to change specifications without notice.

# SIGNATURE SERIES

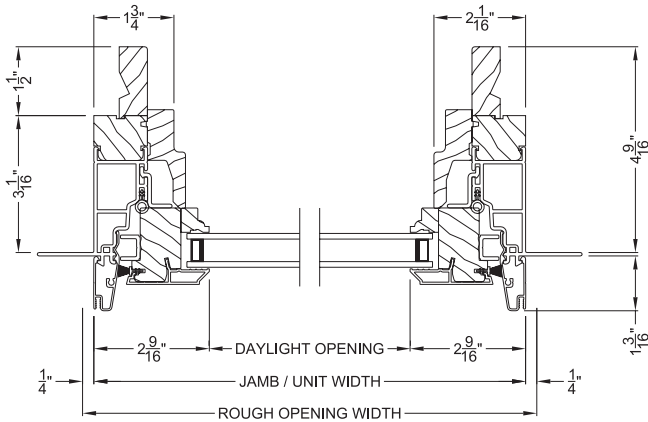
## CASEMENT PICTURE/TRANSOM WINDOWS (8219)

### Cross Sections

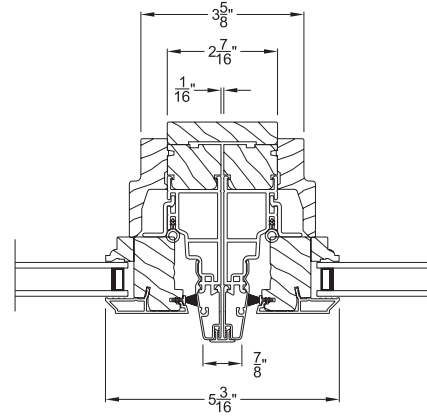


**SIGNATURE CASEMENT PICTURE WINDOW**  
Horizontal Stack Section - Transom Stack over Casement Picture

**SIGNATURE CASEMENT PICTURE WINDOW (8219)**  
Vertical Section



**SIGNATURE CASEMENT PICTURE WINDOW (8219)**  
Horizontal Section



**SIGNATURE CASEMENT PICTURE WINDOW**  
Vertical Mull Section

Note: All dimensions are approximate. Weather Shield reserves the right to change specifications without notice.

# SIGNATURE SERIES

## CASEMENT WINDOWS (8219)

### Opening Specifications

Call Size	Sq. Ft. Clear Opening	Clear Opening		Sq. Ft. Daylight Opening	Sq. Ft. Vent	Floor to Bottom of Clear Opening <sup>a</sup>	Sq. Ft. Overall Unit Area <sup>b</sup>
		Width	Height				
1620	1.29	9.71	19.16	1.59	1.57	60.89	2.86
1626	1.70	9.71	25.16	2.11	2.06	54.89	3.59
1630	2.10	9.71	31.16	2.63	2.55	48.89	4.31
1636	2.51	9.71	37.16	3.14	3.04	42.89	5.04
1640	2.91	9.71	43.16	3.66	3.54	36.89	5.77
1646	3.32	9.71	49.16	4.18	4.03	30.89	6.50
1650	3.72	9.71	55.16	4.70	4.52	24.89	7.23
1656	4.13	9.71	61.16	5.21	5.01	42.89	7.96
1660	4.53	9.71	67.16	5.73	5.50	36.89	8.69
1666	4.93	9.71	73.16	6.25	5.99	30.89	9.42
1670	5.34	9.71	79.16	6.77	6.49	24.89	10.15
1820	1.56	11.71	19.16	1.85	1.84	60.89	3.18
1826	2.05	11.71	25.16	2.45	2.41	54.89	3.99
1830	2.53	11.71	31.16	3.05	2.99	48.89	4.81
1836	3.02	11.71	37.16	3.65	3.56	42.89	5.62
1840	3.51	11.71	43.16	4.25	4.14	36.89	6.43
1846	4.00	11.71	49.16	4.85	4.71	30.89	7.24
1850	4.49	11.71	55.16	5.45	5.29	24.89	8.06
1856	4.98	11.71	61.16	6.05	5.86	42.89	8.87
1860	5.46	11.71	67.16	6.66	6.44	36.89	9.68
1866	5.95	11.71	73.16	7.26	7.01	30.89	10.49
1870	6.44	11.71	79.16	7.86	7.59	24.89	11.31
2020	2.09	15.71	19.16	2.36	2.37	60.89	3.84
2026	2.75	15.71	25.16	3.13	3.11	54.89	4.81
2030	3.40	15.71	31.16	3.89	3.85	48.89	5.79
2036	4.06	15.71	37.16	4.66	4.59	42.89	6.77
2040	4.71	15.71	43.16	5.43	5.33	36.89	7.75
2046	5.36	15.71	49.16	6.20	6.08	30.89	8.73
2050	6.02	15.71	55.16	6.96	6.82	24.89	9.71
2056	6.67	15.71	61.16	7.73	7.56	42.89	10.69
2060	7.33	15.71	67.16	8.50	8.30	36.89	11.67
2066	7.98	15.71	73.16	9.27	9.04	30.89	12.65
2070	8.64	15.71	79.16	10.04	9.78	24.89	13.63
2420	2.62	19.71	19.16	2.87	2.90	60.89	4.49
2426	3.44	19.71	25.16	3.80	3.81	54.89	5.63
2430	4.27	19.71	31.16	4.74	4.72	48.89	6.78
2436	5.09	19.71	37.16	5.67	5.63	42.89	7.93
2440	6.43	21.44	43.16	6.61	6.53	36.89	9.07
2446	7.32	21.44	49.16	7.54	7.44	30.89	10.22
2450	8.21	21.44	55.16	8.48	8.35	24.89	11.36
2456	9.11	21.44	61.16	9.41	9.26	42.89	12.51
2460	10.00	21.44	67.16	10.35	10.17	36.89	13.65
2466	10.89	21.44	73.16	11.28	11.08	30.89	14.80
2470	11.79	21.44	79.16	12.21	11.98	24.89	15.95
2620	2.89	21.71	19.16	3.13	3.17	60.89	4.81
2626	3.79	21.71	25.16	4.14	4.16	54.89	6.04
2630	4.70	21.71	31.16	5.16	5.15	48.89	7.27
2636	6.05	23.44	37.16	6.18	6.14	42.89	8.50
2640	6.51	21.71	43.16	7.20	7.13	36.89	9.73
2646	7.41	21.71	49.16	8.21	8.12	30.89	10.96
2650	8.32	21.71	55.16	9.23	9.12	24.89	12.19
2656	9.22	21.71	61.16	10.25	10.11	42.89	13.42
2660	10.13	21.71	67.16	11.27	11.10	36.89	14.65
2666	11.03	21.71	73.16	12.29	12.09	30.89	15.88
2670	11.94	21.71	79.16	13.30	13.08	24.89	17.11

Shaded sizes meet or exceed egress opening requirements per 2006 IBC (International Building Code) minimum dimensions of 20" clear opening width, 24" clear opening height, 5.7 sq. ft. clear opening and floor to bottom of clear opening not to exceed 44".

<sup>a</sup> Floor to bottom of clear opening dimensions are based on 82" header height.

All units over 66 height are based off 106" header height for floor to clear opening dimension

<sup>b</sup> Sq. Ft. Overall Unit Area is calculated on the jamb dimension.

<sup>c</sup> These windows meet or exceed emergency escape and rescue opening requirements if installed lower in the wall so the "Floor to Bottom of Clear Opening Height" does not exceed 44".

All units 32.5" or wider in rough opening width are manufactured with a 14" hinge. Sash opens to approximately 82° at full opening, which could limit emergency escape and rescue compatibility. Clear opening width values for these are calculated parallel to the sash. Check with your local building inspector to verify allowance

CASEMENT



# SIGNATURE SERIES

## CASEMENT WINDOWS (8219)

### Opening Specifications

Call Size	Sq. Ft. Clear Opening	Clear Opening		Sq. Ft. Daylight Opening	Sq. Ft. Vent	Floor to Bottom of Clear Opening <sup>a</sup>	Sq. Ft. Overall Unit Area <sup>b</sup>
		Width	Height				
2820	2.87	21.53	19.16	3.38	3.43	60.89	5.14
2826	3.76	21.53	25.16	4.48	4.51	54.89	6.45
2830	4.66	21.53	31.16	5.58	5.58	48.89	7.77
2836	6.12	23.71	37.16	6.69	6.66	42.89	9.08
2840	6.45	21.53	43.16	7.79	7.73	36.89	10.39
2846	7.35	21.53	49.16	8.89	8.81	30.89	11.70
2850	8.25	21.53	55.16	9.99	9.88	24.89	13.02
2856	9.15	21.53	61.16	11.09	10.96	42.89	14.33
2860	10.04	21.53	67.16	12.19	12.03	36.89	15.64
2866	10.94	21.53	73.16	13.29	13.11	30.89	16.95
2870	11.84	21.53	79.16	14.39	14.18	24.89	18.27
3020	3.39	25.47	19.16	3.89	3.97	60.89	5.79
3026	4.45	25.47	25.16	5.16	5.21	54.89	7.27
3030 <sup>c</sup>	6.00	27.71	31.16	6.43	6.45	48.89	8.75
3036	6.57	25.47	37.16	7.70	7.69	42.89	10.23
3040	7.63	25.47	43.16	8.96	8.93	36.89	11.71
3046	8.69	25.47	49.16	10.23	10.17	30.89	13.19
3050	9.76	25.47	55.16	11.50	11.41	24.89	14.67
3056	10.82	25.47	61.16	12.77	12.66	42.89	16.15
3060	11.88	25.47	67.16	14.04	13.90	36.89	17.63
3066	12.94	25.47	73.16	15.30	15.14	30.89	19.11
3070	14.00	25.47	79.16	16.57	16.38	24.89	20.59

Shaded sizes meet or exceed egress opening requirements per 2006 IBC (International Building Code) minimum dimensions of 20" clear opening width, 24" clear opening height, 5.7 sq. ft. clear opening and floor to bottom of clear opening not to exceed 44".

<sup>a</sup>Floor to bottom of clear opening dimensions are based on 82" header height.

All units over 66 height are based off 106" header height for floor to clear opening dimension

<sup>b</sup>Sq. Ft. Overall Unit Area is calculated on the jamb dimension.

<sup>c</sup>These windows meet or exceed emergency escape and rescue opening requirements if installed lower in the wall so the "Floor to Bottom of Clear Opening Height" does not exceed 44".

All units 32.5" or wider in rough opening width are manufactured with a 14" hinge. Sash opens to approximately 82° at full opening, which could limit emergency escape and rescue compatibility. Clear opening width values for these are calculated parallel to the sash. Check with your local building inspector to verify allowance

# SIGNATURE SERIES

## AWNING WINDOWS

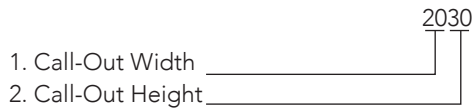
---

### Awning Windows Table of Contents

Awning Windows Footnotes.....	32	Awning Windows Cross Sections.....	36
Awning Windows Quick Spec Guide.....	33	Awning Windows Opening Specifications.....	38
Awning Windows Elevations.....	34		

### Size Codes:

The Weather Shield size code uses meaningful characters to denote standard sizes. For example:



### Product Information:

- Units show rectangular grille/SDL divisions.
- Awnings may not be considered emergency and rescue windows.

# SIGNATURE SERIES

## AWNING WINDOWS (8219)

### Quick Spec Guide

SPECIFICATION	STANDARD FEATURES	OPTIONAL FEATURES
<b>EXTERIOR FINISH</b>	<ul style="list-style-type: none"> <li>• White</li> <li>• Cameo</li> <li>• Tan</li> <li>• Desert Tan</li> <li>• Heritage Brown</li> <li>• Adobe</li> </ul>	<ul style="list-style-type: none"> <li>• Craftsman Bronze</li> <li>• Brick Red</li> <li>• Hartford Green</li> <li>• Gray Matters</li> <li>• Obsidian</li> <li>• Jet Black</li> </ul>
<b>EXTERIOR TRIM</b>	<ul style="list-style-type: none"> <li>• Integral Nail Fin</li> <li>• Drip Cap</li> </ul>	<ul style="list-style-type: none"> <li>• 7/8" Brickmold</li> <li>• 1-11/16" Brickmold</li> <li>• 1-11/16" Flat Casing</li> <li>• 3-5/16" Flat Casing</li> <li>• Historical Brickmold</li> <li>• 3/4" Sill Nosing</li> <li>• 1" Bull Nose</li> <li>• 1" Full Round Bull Nose</li> <li>• 2" Bull Nose</li> </ul>
<b>INTERIOR FINISH</b>	<ul style="list-style-type: none"> <li>• Natural</li> </ul>	<ul style="list-style-type: none"> <li>• Clear Satin</li> <li>• Fruitwood</li> <li>• Rich Mahogany</li> <li>• Primed</li> <li>• Golden Oak</li> <li>• Chestnut</li> <li>• Prefinished White &amp; Black</li> <li>• Poly – White &amp; Jet Black</li> </ul>
<b>INTERIOR SPECIES</b>	<ul style="list-style-type: none"> <li>• Pine</li> </ul>	<ul style="list-style-type: none"> <li>• Character Alder</li> <li>• Mixed Grain Fir</li> </ul>
<b>SIZE</b>	<ul style="list-style-type: none"> <li>• Width 1-6, 1-8, 2-0, 2-4, 2-6, 2-8, 3-0, 3-6, 4-0, 4-6, 5-0</li> <li>• Height 1-6, 1-8, 2-0, 2-6, 3-0, 3-6, 4-0</li> </ul>	<ul style="list-style-type: none"> <li>• Any jamb width: 17-1/2" to 59-1/2"</li> <li>• Any jamb height: 17-1/2" to 47-1/2"</li> </ul>
<b>GLAZING</b>	<ul style="list-style-type: none"> <li>• Low-E Insulating Glass</li> </ul>	<ul style="list-style-type: none"> <li>• Clear IG</li> <li>• Low-E 240</li> <li>• Zo-e-shield 5</li> <li>• Zo-e-shield Extreme</li> <li>• Zo-e Shield 6 (laminated)</li> <li>• Grey or Bronze Tint</li> <li>• Obscure</li> <li>• Tempered</li> </ul>
<b>GRILLES</b>		<ul style="list-style-type: none"> <li>• GBG: 5/8" Flat or 11/16" Sculptured</li> <li>• SDL: 5/8", 7/8", 1-1/8", 2" (limited cut styles)</li> <li>• Wood Grille: 7/8"</li> </ul>
<b>HARDWARE</b>	<ul style="list-style-type: none"> <li>• Nested Crank Handle</li> <li>• Concealed Locking System</li> <li>• Handle and Cover Ship Separately</li> </ul>	<ul style="list-style-type: none"> <li>• Seacoast</li> <li>• Handle and Cover Applied</li> <li>• No sash locks</li> </ul>
<b>HARDWARE COLOR</b>	<ul style="list-style-type: none"> <li>• Tan</li> <li>• Rustic Bronze</li> <li>• White</li> <li>• Black</li> </ul>	<ul style="list-style-type: none"> <li>• Brushed Nickel</li> <li>• Bright Brass</li> </ul>
<b>JAMB</b>	<ul style="list-style-type: none"> <li>• 4-9/16"</li> <li>• Standard Jamb Extension</li> </ul>	<ul style="list-style-type: none"> <li>• 3-1/16 Min</li> <li>• 12" Max</li> <li>• 5/4 Upgrade Jamb Extension</li> </ul>
<b>SCREENS</b>	<ul style="list-style-type: none"> <li>• No-See-um Mesh</li> </ul>	<ul style="list-style-type: none"> <li>• Aluminum Non-Glare</li> </ul>
<b>SCREEN FRAME COLOR</b>	<ul style="list-style-type: none"> <li>• Tan</li> <li>• Craftsman Bronze</li> <li>• White</li> <li>• Jet Black</li> </ul>	<ul style="list-style-type: none"> <li>• Champagne Anodized</li> <li>• Bright Brass</li> <li>• Wood Wrapped</li> </ul>



# SIGNATURE SERIES

## AWNING WINDOWS (8219)


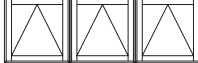
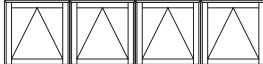
### Elevations

Jamb Dimension	1'-5 1/2"	1'-7 1/2"	1'-11 1/2"	2'-3 1/2"	2'-5 1/2"	2'-7 1/2"	2'-11 1/2"	3'-5 1/2"	3'-11 1/2"	4'-5 1/2"	4'-11 1/2"
Rough Opening	1'-6"	1'-8"	2'-0"	2'-4"	2'-6"	2'-8"	3'-0"	3'-6"	4'-0"	4'-6"	5'-0"
Metric R.O. (mm)	457	508	610	711	762	813	914	1067	1219	1372	1524
Class Size	13 3/8"	15 3/8"	19 3/8"	23 3/8"	25 3/8"	27 3/8"	31 3/8"	37 3/8"	43 3/8"	49 3/8"	55 3/8"

1616	1816	2016	2416	2616	2816	3016	3616	4016	4616	5016
1618	1818	2018	2418	2618	2818	3018	3618	4018	4618	5018
1620	1820	2020	2420	2620	2820	3020	3620	4020	4620	5020
1626	1826	2026	2426	2626	2826	3026	3626	4026	4626	5026
1630	1830	2030	2430	2630	2830	3030	3630	4030	4630	5030
1636	1836	2036	2436	2636	2836	3036	3636	4036	4636	5036
1640	1840	2040	2440	2640	2840	3040	3640	4040	4640	5040

AWNING

 <b>2 - Wide</b> Width Dimensions				 <b>3 - Wide</b> Width Dimensions			
Base Code	Jamb Dimension (Frame Size)	Rough Opening	Metric R.O. (mm)	Base Code	Jamb Dimension (Frame Size)	Rough Opening	Metric R.O. (mm)
AW2-16	2'-11 1/16"	2'-11 9/16"	903	AW3-16	4'-4 5/8"	4'-5 1/8"	1349
AW2-18	3'-3 1/16"	3'-3 9/16"	1005	AW3-18	4'-10 5/8"	4'-11 1/8"	1502
AW2-20	3'-11 1/16"	3'-11 9/16"	1208	AW3-20	5'-10 5/8"	5'-11 1/8"	1807
AW2-24	4'-7 1/16"	4'-7 9/16"	1411	AW3-24	6'-10 5/8"	6'-11 1/8"	2111
AW2-26	4'-11 1/16"	4'-11 9/16"	1513	AW3-26	7'-4 5/8"	7'-5 1/8"	2264
AW2-28	5'-3 1/16"	5'-3 9/16"	1614	AW3-28	7'-10 5/8"	7'-11 1/8"	2416
AW2-30	5'-11 1/16"	5'-11 9/16"	1818	AW3-30	8'-10 5/8"	8'-11 1/8"	2721
AW2-36	6'-11 1/16"	6'-11 9/16"	2122	 <b>4 - Wide</b> Width Dimensions			
AW2-40	7'-11 1/16"	7'-11 9/16"	2427				
AW2-46	8'-11 1/16"	8'-11 9/16"	2732				
AW2-50	9'-11 1/16"	9'-11 9/16"	3037				
Base Code	Jamb Dimension (Frame Size)	Rough Opening	Metric R.O. (mm)				
AW4-16	5'-10 3/16"	5'-10 11/16"	1795				
AW4-18	6'-6 3/16"	6'-6 11/16"	1999				
AW4-20	7'-10 3/16"	7'-10 11/16"	2405				
AW4-24	9'-2 3/16"	9'-2 11/16"	2811				
AW4-26	9'-10 3/16"	9'-10 11/16"	3015				

# SIGNATURE SERIES

## AWNING PICTURE COMBINATION WINDOWS (8219)

### Elevations

Jamb Dimension	1'-11 1/2"	2'-3 1/2"	2'-5 1/2"	2'-7 1/2"	2'-11 1/2"	3'-5 1/2"	3'-11 1/2"	4'-5 1/2"	4'-11 1/2"
Rough Opening	2'-0"	2'-4"	2'-6"	2'-8"	3'-0"	3'-6"	4'-0"	4'-6"	5'-0"
Metric R.O. (mm)	610	711	762	813	914	1067	1219	1372	1524
Glass Size	19 3/8"	23 3/8"	25 3/8"	27 3/8"	31 3/8"	37 3/8"	43 3/8"	49 3/8"	55 3/8"

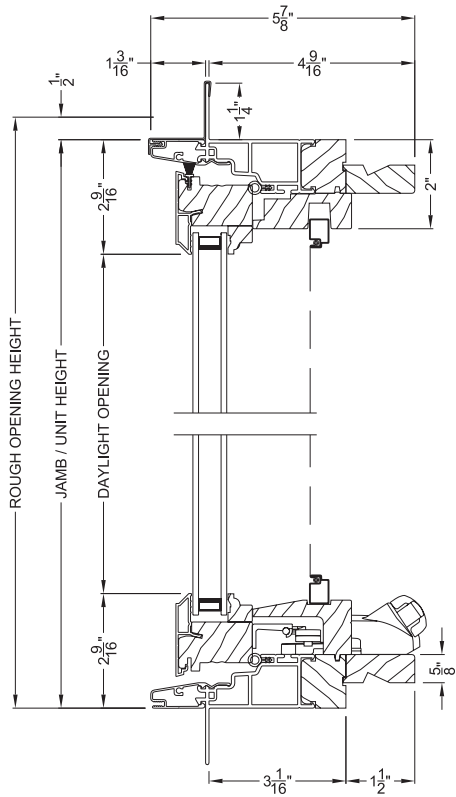
  

Jamb Dimension	Metric R.O. (mm)		Glass Size	Top		Bottom	Window Model						
	1818	2122		43 3/8"	19 3/8"								
5'-11 1/16"	1818	2122	43 3/8"	19 3/8"	204020	244020	264020	284020	304020	364020	404020	464020	504020
6'-11 1/16"	2122	2538	55 3/8"	19 3/8"	205020	245020	265020	285020	305020	365020	405020	465020	505020
6'-5 1/16"	1970	2538	43 3/8"	25 3/8"	204026	244026	264026	284026	304026	364026	404026	464026	504026
7'-5 1/16"	2275	2538	55 3/8"	25 3/8"	205026	245026	265026	285026	305026	365026	405026	465026	505026

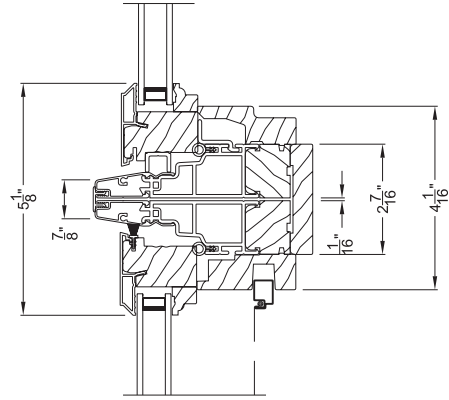
# SIGNATURE SERIES

## AWNING WINDOWS (8219)

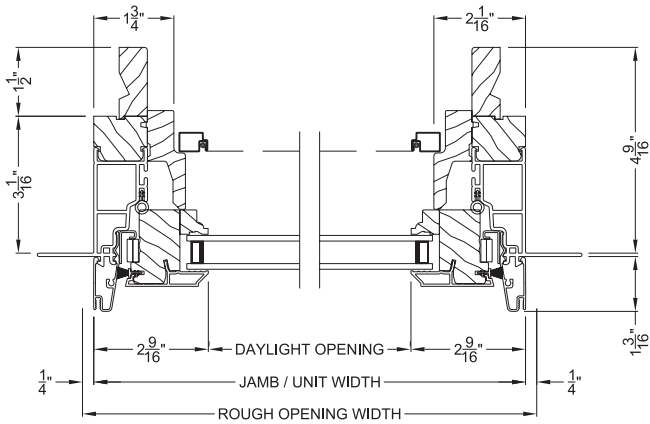
### Cross Sections



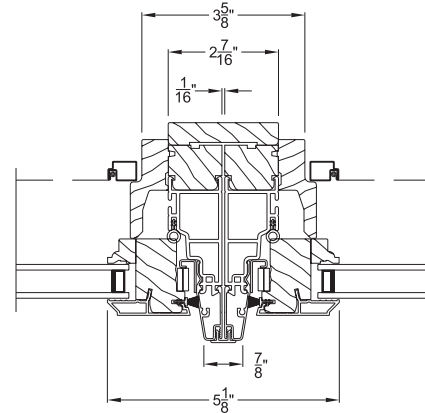
**SIGNATURE AWNING WINDOW (8219)**  
Vertical Section



**SIGNATURE AWNING WINDOW**  
Horizontal Stack Section - Transom Stack over Awning



**SIGNATURE AWNING WINDOW (8219)**  
Horizontal Section

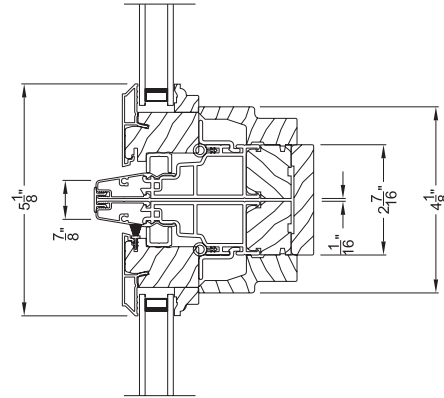
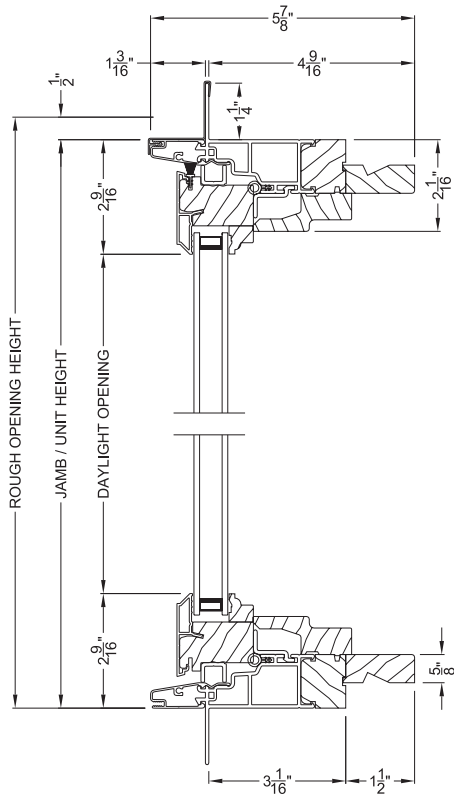


**SIGNATURE AWNING WINDOW**  
Vertical Mull Section

Note: All dimensions are approximate. Weather Shield reserves the right to change specifications without notice.

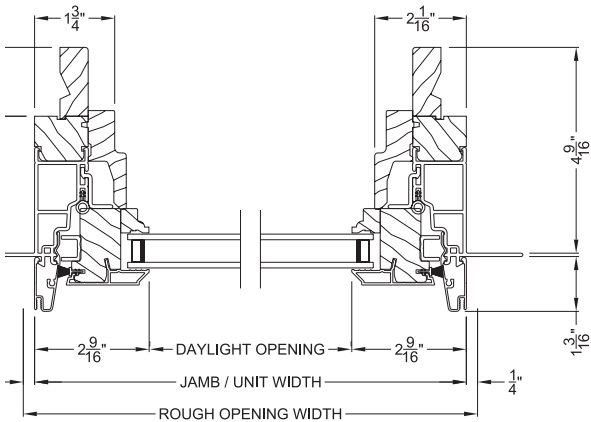
# SIGNATURE SERIES STATIONARY AWNING WINDOWS (8219)

## Cross Sections

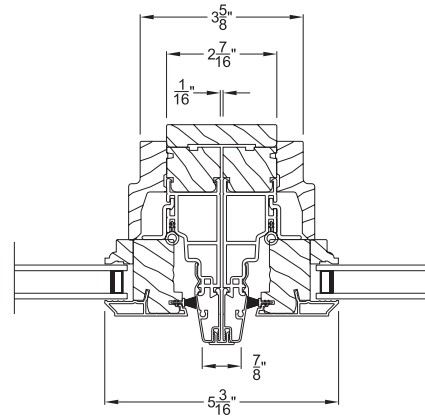


**SIGNATURE STATIONARY AWNING WINDOW**  
Horizontal Stack Section - Transom Stack over Stationary Awning

**SIGNATURE AWNING PICTURE WINDOW (8219)**  
Vertical Section



**SIGNATURE AWNING PICTURE WINDOW (8219)**  
Horizontal Section



**SIGNATURE STATIONARY AWNING WINDOW**  
Vertical Mull Section

Note: All dimensions are approximate. Weather Shield reserves the right to change specifications without notice.



# SIGNATURE SERIES

## AWNING WINDOWS (8219)

### Opening Specifications

Call Size	Vent		Sq. Ft. Vent	Sq. Ft. Daylight Opening	Sq. Ft. Overall Unit Area <sup>a</sup>
	Width	Height			
1616	13.44	9.59	0.89	1.07	2.13
1618	13.44	11.59	1.08	1.24	2.37
1620	13.44	14.59	1.36	1.58	2.86
1626	13.44	20.59	1.92	2.10	3.59
1630	13.44	24.59	2.29	2.62	4.31
1636	13.44	30.59	2.85	3.13	5.04
1640	13.44	34.59	3.23	3.65	5.77
1816	15.44	9.59	1.03	1.24	2.37
1818	15.44	11.59	1.24	1.44	2.64
1820	15.44	14.59	1.56	1.84	3.18
1826	15.44	20.59	2.21	2.44	3.99
1830	15.44	24.59	2.64	3.04	4.81
1836	15.44	30.59	3.28	3.64	5.62
1840	15.44	34.59	3.71	4.24	6.43
2016	19.44	9.59	1.29	1.58	2.86
2018	19.44	11.59	1.56	1.84	3.18
2020	19.44	14.59	1.97	2.35	3.84
2026	19.44	20.59	2.78	3.12	4.81
2030	19.44	24.59	3.32	3.88	5.79
2036	19.44	30.59	4.13	4.65	6.77
2040	19.44	34.59	4.67	5.42	7.75
2416	23.44	9.59	1.56	1.93	3.34
2418	23.44	11.59	1.89	2.24	3.72
2420	23.44	14.59	2.37	2.86	4.49
2426	23.44	20.59	3.35	3.79	5.63
2430	23.44	24.59	4.00	4.73	6.78
2436	23.44	30.59	4.98	5.66	7.93
2440	23.44	34.59	5.63	6.59	9.07
2616	25.44	9.59	1.69	2.10	3.59
2618	25.44	11.59	2.05	2.44	3.99
2620	25.44	14.59	2.58	3.12	4.81
2626	25.44	20.59	3.64	4.13	6.04
2630	25.44	24.59	4.34	5.15	7.27
2636	25.44	30.59	5.40	6.17	8.50
2640	25.44	34.59	6.11	7.18	9.73
2816	27.44	9.59	1.83	2.27	3.83
2818	27.44	11.59	2.21	2.64	4.27
2820	27.44	14.59	2.78	3.37	5.14
2826	27.44	20.59	3.92	4.47	6.45
2830	27.44	24.59	4.68	5.57	7.77
2836	27.44	30.59	5.83	6.67	9.08
2840	27.44	34.59	6.59	7.77	10.39
3016	31.44	9.59	2.09	2.62	4.31
3018	31.44	11.59	2.53	3.04	4.81
3020	31.44	14.59	3.18	3.88	5.79
3026	31.44	20.59	4.49	5.15	7.27
3030	31.44	24.59	5.37	6.42	8.75
3036	31.44	30.59	6.68	7.68	10.23
3040	31.44	34.59	7.55	8.95	11.71

<sup>a</sup> Sq. Ft. Overall Unit Area is calculated on the jamb dimension.

AWNING

# SIGNATURE SERIES

## AWNING WINDOWS (8219)

### Opening Specifications

Call Size	Vent		Sq. Ft. Vent	Sq. Ft. Daylight Opening	Sq. Ft. Overall Unit Area <sup>a</sup>
	Width	Height			
3616	31.44	9.59	2.09	2.62	4.31
3618	31.44	11.59	2.53	3.04	4.81
3620	31.44	14.59	3.18	3.88	5.79
3626	31.44	20.59	4.49	5.15	7.27
3630	31.44	24.59	5.37	6.42	8.75
3636	31.44	30.59	6.68	7.68	10.23
3640	31.44	34.59	7.55	8.95	11.71
4016	43.44	9.59	2.89	3.65	5.77
4018	43.44	11.59	3.49	4.24	6.43
4020	43.44	14.59	4.40	5.42	7.75
4026	43.44	20.59	6.21	7.18	9.73
4030	43.44	24.59	7.42	8.95	11.71
4036	43.44	30.59	9.23	10.71	13.69
4040	43.44	34.59	10.43	12.48	15.67
4616	49.44	9.59	3.29	4.17	6.50
4618	49.44	11.59	3.98	4.84	7.24
4620	49.44	14.59	5.01	6.18	8.73
4626	49.44	20.59	7.07	8.20	10.96
4630	49.44	24.59	8.44	10.21	13.19
4636	49.44	30.59	10.50	12.23	15.42
4640	49.44	34.59	11.87	14.25	17.65
5016	55.44	9.59	3.69	4.68	7.23
5018	55.44	11.59	4.46	5.44	8.06
5020	55.44	14.59	5.62	6.95	9.71
5026	55.44	20.59	7.93	9.21	12.19
5030	55.44	24.59	9.46	11.48	14.67
5036	55.44	30.59	11.77	13.75	17.15
5040	55.44	34.59	13.31	16.01	19.63

<sup>a</sup>Sq. Ft. Overall Unit Area is calculated on the jamb dimension.

# SIGNATURE SERIES

## DIRECT-SET SPECIAL SHAPE WINDOWS

---

**Special Shape Windows Table of Contents**

Special Shape Windows Quick Spec Guide.....	41	Special Shape Windows Cross Sections.....	43
Special Shape Windows Elevations.....	42		

SPECIAL SHAPE

# SIGNATURE SERIES

## DIRECT-SET SPECIAL SHAPE WINDOWS (8306)

### Quick Spec Guide

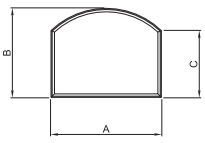
SPECIFICATION	STANDARD FEATURES	OPTIONAL FEATURES
<b>EXTERIOR FINISH</b>	<ul style="list-style-type: none"> <li>• White</li> <li>• Cameo</li> <li>• Tan</li> <li>• Desert Tan</li> <li>• Heritage Brown</li> <li>• Adobe</li> </ul>	<ul style="list-style-type: none"> <li>• Craftsman Bronze</li> <li>• Brick Red</li> <li>• Hartford Green</li> <li>• Gray Matters</li> <li>• Obsidian</li> <li>• Jet Black</li> </ul>
<b>EXTERIOR TRIM</b>	<ul style="list-style-type: none"> <li>• Integral Nail Fin</li> </ul>	<ul style="list-style-type: none"> <li>• 7/8" Brickmold</li> <li>• 1-11/16" Brickmold</li> <li>• 1-11/16" Flat Casing</li> <li>• 3-5/16" Flat Casing</li> <li>• Historical Brickmold</li> <li>• 3/4" Sill Nosing</li> <li>• 1" Bull Nose</li> <li>• 1" Full Round Bull Nose</li> <li>• 2" Bull Nose</li> </ul>
<b>INTERIOR FINISH</b>	<ul style="list-style-type: none"> <li>• Natural</li> </ul>	<ul style="list-style-type: none"> <li>• Clear Satin</li> <li>• Fruitwood</li> <li>• Rich Mahogany</li> <li>• Primed</li> <li>• Golden Oak</li> <li>• Chestnut</li> <li>• Prefinished White &amp; Black</li> <li>• Poly – White &amp; Jet Black</li> </ul>
<b>INTERIOR SPECIES</b>	<ul style="list-style-type: none"> <li>• Pine</li> </ul>	<ul style="list-style-type: none"> <li>• Character Alder</li> <li>• Mixed Grain Fir</li> </ul>
<b>SHAPE/SIZE</b>	<p>Shapes available include, Diamond, Eyebrow, Eyebrow w/ legs, Flat Top Pentagon, Flat Top Trapezoid, Full Circle, Half Circle, Half Circle w/ legs, Hexagon, Octagon, Parallelogram, Pentagon, Quarter Circle, Quarter Circle w/ legs, Quarter Eyebrow, Quarter Eyebrow w/ legs, Rectangle, Right Triangle, Trapezoid, Triangle</p>	<ul style="list-style-type: none"> <li>• Custom jamb sizes from 7-13/16" to 120"</li> <li>• Minimum Radius is 12"</li> <li>• Minimum Corner Angle is 22 degrees:</li> </ul>
<b>GLAZING</b>	<ul style="list-style-type: none"> <li>• Low-E Insulating Glass</li> </ul>	<ul style="list-style-type: none"> <li>• Clear IG</li> <li>• Low-E 240</li> <li>• Zo-e-shield 5</li> <li>• Zo-e-shield Extreme</li> <li>• Zo-e Shield 6 (laminated)</li> <li>• Grey or Bronze Tint</li> <li>• Obscure</li> <li>• Tempered</li> </ul>
<b>GRILLES</b>		<ul style="list-style-type: none"> <li>• GBG: 5/8" Flat or 11/16" Sculptured</li> <li>• SDL: 5/8", 7/8", 1-1/8", 2" (limited cut styles)</li> <li>• Wood Grille: 7/8"</li> </ul>
<b>JAMB</b>	<ul style="list-style-type: none"> <li>• 4-9/16"</li> <li>• Standard Jamb Extension</li> </ul>	<ul style="list-style-type: none"> <li>• 3-1/16 Min</li> <li>• 12" Max</li> <li>• 5/4 Upgrade Jamb Extension</li> </ul>



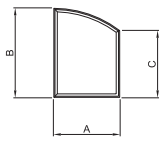
# SIGNATURE SERIES

## DIRECT-SET SPECIAL SHAPE WINDOWS (8306)

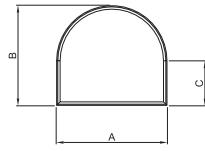
### Elevations



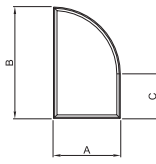
Eyebrow  
with Extended Legs



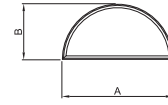
Quarter Eyebrow  
with Extended Legs



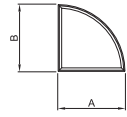
Half Circle  
with Extended Legs



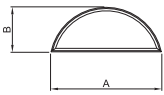
Quarter Circle  
with Extended Legs



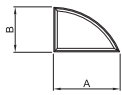
Half Circle



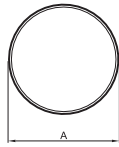
Quarter Circle



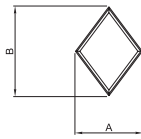
Archtop



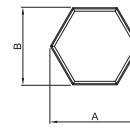
Quarter Archtop



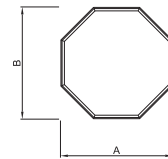
Full Circle



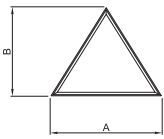
Diamond



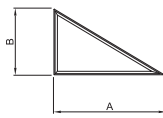
Hexagon



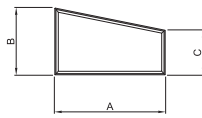
Octagon



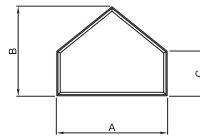
Isosceles Triangle



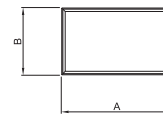
Right Triangle



Trapezoid



Pentagon



Rectangle

Direct-Set Special Shape (8306)

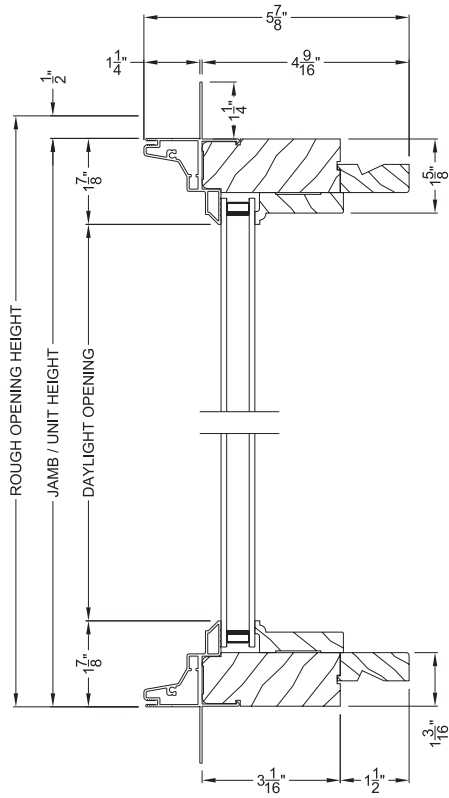
A - Rough Opening Width  
B - Rough Opening Height  
C - Rough Opening Leg

For availability of sizes and  
specialty shapes not shown  
contact Weather Shield

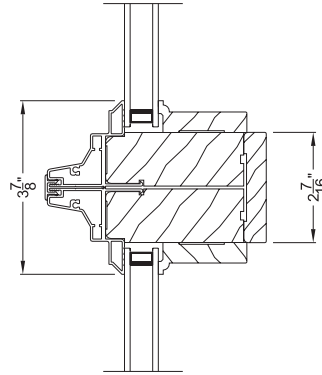
# SIGNATURE SERIES

## DIRECT-SET SPECIAL SHAPE WINDOWS (8306)

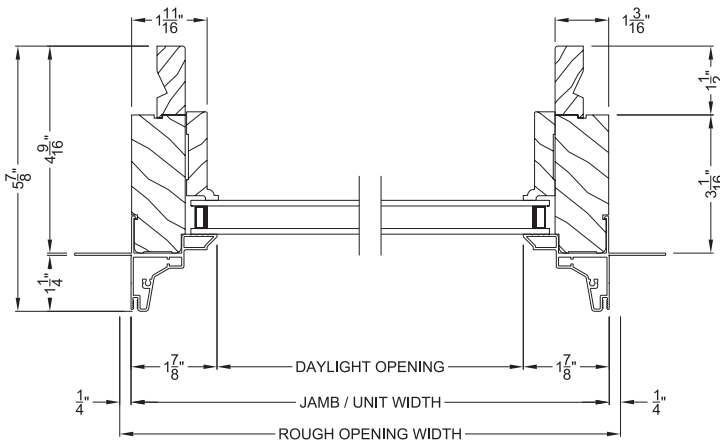
### Cross Sections



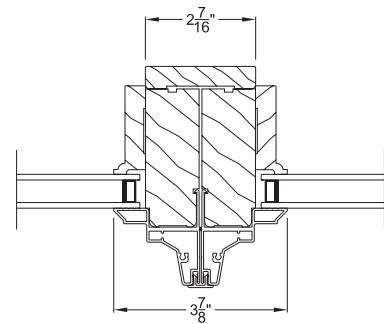
**SIGNATURE DIRECT-SET SPECIAL SHAPE (8306)**  
Vertical Section



**SIGNATURE DIRECT-SET SPECIAL SHAPE**  
Horizontal Stack Section



**SIGNATURE DIRECT-SET SPECIAL SHAPE (8306)**  
Horizontal Section



**SIGNATURE DIRECT-SET SPECIAL SHAPE**  
Vertical Mull Section

Note: All dimensions are approximate. Weather Shield reserves the right to change specifications without notice.

# SIGNATURE SERIES

## SLIDER WINDOWS

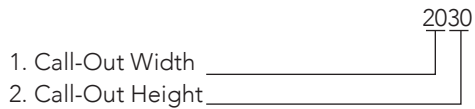
---

### Slider Windows Table of Contents

Slider Windows Footnotes .....	44	Slider Windows Cross Sections.....	47
Slider Windows Quick Spec Guide.....	45	Slider Windows Opening Specifications.....	48
Slider Windows Elevations.....	46		

### Size Codes:

The Weather Shield size code uses meaningful characters to denote standard sizes. For example:



### Product Information:

- Units show rectangular grille/SDL divisions.
- Double sliders are XO or OX operating as viewed from the exterior. Triple sliders are XOX. X=Active Sash, O=Inactive Sash

### Egress Information:

Units in gray meet or exceed egress opening requirements per 2015 IBC (International Building Code) minimum dimensions of 20" [508mm] clear opening width, 24" [610mm] clear opening height, 5.7 sq. ft. [5295cm<sup>2</sup>] clear opening and floor to bottom of clear opening not to exceed 44" [1118mm] in height. Verify local or state egress opening sizes with your local building inspector. Floor to bottom of clear opening dimensions are based on 82" [2083mm] jamb height of Weather Shield French doors and center hinged French doors.

# SIGNATURE SERIES

## SLIDER WINDOWS (8401)

### Quick Spec Guide

SPECIFICATION	STANDARD FEATURES	OPTIONAL FEATURES
<b>EXTERIOR FINISH</b>	<ul style="list-style-type: none"> <li>• White</li> <li>• Cameo</li> <li>• Tan</li> <li>• Desert Tan</li> <li>• Heritage Brown</li> <li>• Adobe</li> </ul>	<ul style="list-style-type: none"> <li>• Craftsman Bronze</li> <li>• Brick Red</li> <li>• Hartford Green</li> <li>• Gray Matters</li> <li>• Obsidian</li> <li>• Jet Black</li> </ul>
<b>EXTERIOR TRIM</b>	<ul style="list-style-type: none"> <li>• Integral Nail Fin</li> </ul>	<ul style="list-style-type: none"> <li>• 7/8" Brickmold</li> <li>• 1-11/16" Brickmold</li> <li>• 1-11/16" Flat Casing</li> <li>• 3-5/16" Flat Casing</li> <li>• Historical Brickmold</li> <li>• 3/4" Sill Nosing</li> <li>• 1" Bull Nose</li> <li>• 1" Full Round Bull Nose</li> <li>• 2" Bull Nose</li> </ul>
<b>INTERIOR FINISH</b>	<ul style="list-style-type: none"> <li>• Natural</li> </ul>	<ul style="list-style-type: none"> <li>• Clear Satin</li> <li>• Fruitwood</li> <li>• Rich Mahogany</li> <li>• Primed</li> <li>• Golden Oak</li> <li>• Chestnut</li> <li>• Prefinished White &amp; Black</li> <li>• Poly – White &amp; Jet Black</li> </ul>
<b>INTERIOR SPECIES</b>	<ul style="list-style-type: none"> <li>• Pine</li> </ul>	<ul style="list-style-type: none"> <li>• Character Alder</li> <li>• Mixed Grain Fir</li> </ul>
<b>SIZE</b>	<ul style="list-style-type: none"> <li>• Width 3-0, 4-0, 5-0, 6-0</li> <li>• Height 2-0, 2-6, 3-0, 3-6, 4-0, 4-6, 5-0, 5-6, 6-0</li> </ul>	<ul style="list-style-type: none"> <li>• Any jamb width: 35-1/2" to 71-1/2"</li> <li>• Any jamb height: 23-1/2" to 71-1/2"</li> </ul>
<b>GLAZING</b>	<ul style="list-style-type: none"> <li>• Low-E Insulating Glass</li> </ul>	<ul style="list-style-type: none"> <li>• Clear IG</li> <li>• Low-E 240</li> <li>• Zo-e-shield 5</li> <li>• Zo-e-shield Extreme</li> <li>• Zo-e Shield 6 (laminated)</li> <li>• Grey or Bronze Tint</li> <li>• Obscure</li> <li>• Tempered</li> </ul>
<b>GRILLES</b>		<ul style="list-style-type: none"> <li>• GBG: 5/8" Flat or 11/16" Sculptured</li> <li>• SDL: 5/8", 7/8", 1-1/8", 2" (limited cut styles)</li> <li>• Wood Grille: 7/8"</li> </ul>
<b>HARDWARE</b>	<ul style="list-style-type: none"> <li>• Sash Lock</li> <li>• Integral Plow Sash Pull</li> </ul>	<ul style="list-style-type: none"> <li>• WOCD</li> <li>• No Sash Pull</li> </ul>
<b>HARDWARE COLOR</b>	<ul style="list-style-type: none"> <li>• Tan</li> <li>• Rustic Bronze</li> <li>• White</li> <li>• Black</li> </ul>	<ul style="list-style-type: none"> <li>• Brushed Nickel</li> <li>• Bright Brass</li> </ul>
<b>JAMB</b>	<ul style="list-style-type: none"> <li>• 4-9/16"</li> </ul>	<ul style="list-style-type: none"> <li>• 4-9/16 Min</li> <li>• 12" Max</li> </ul>
<b>SCREENS</b>	<ul style="list-style-type: none"> <li>• No-See-um Mesh</li> </ul>	<ul style="list-style-type: none"> <li>• Aluminum Non-Glare</li> </ul>
<b>SCREEN FRAME COLOR</b>	<ul style="list-style-type: none"> <li>• Color matches exterior unit color</li> </ul>	



# SIGNATURE SERIES

## SLIDER WINDOWS (8401)

### Elevations

#### Double Slider Windows

Jamb Dimension	2'-11 1/2"	3'-11 1/2"	4'-11 1/2"	5'-11 1/2"
Rough Opening	3'-0"	4'-0"	5'-0"	6'-0"
Metric R.O. (mm)	914	1219	1524	1829
Glass Size	14 7/8"	20 7/8"	26 7/8"	32 7/8"

5'-11 1/2"	6'-0"	6'-0"	6'-0"	6'-0"
1829	1829	1829	1829	1829
65 5/16"	59 5/16"	59 5/16"	59 5/16"	59 5/16"
3060	4060	5060	6060	
3056	4056	5056	6056	
3066	4066	5066	6066	
3046	4046	5046	6046	
3040	4040	5040	6040	
3036	4036	5036	6036	
3030	4030	5030	6030	
3026	4026	5026	6026	
3020	4020	5020	6020	

#### Triple Slider Windows 1/4-1/2-1/4

Jamb Dimension	6'-11 1/2"	7'-11 1/2"
Rough Opening	7'-0"	8'-0"
Metric R.O. (mm)	2134	2438
End Glass Size	18 31/32"	21 31/32"
Center Glass Size	37 31/32"	43 31/32"

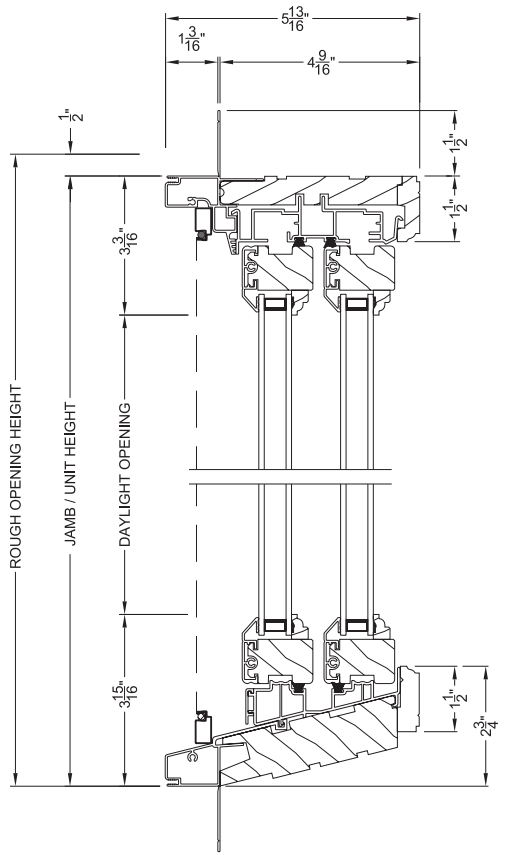
5'-11 1/2"	6'-0"	6'-0"	6'-0"	6'-0"
1829	1829	1829	1829	1829
65 5/16"	59 5/16"	59 5/16"	59 5/16"	59 5/16"
7060	8060	7060	8060	
7056	8056	7056	8056	
7050	8050	7050	8050	
7046	8046	7046	8046	
7040	8040	7040	8040	
7036	8036	7036	8036	

Optional Triple Slider 1/3-1/3-1/3 Configurations  
Available for these widths, and all heights.

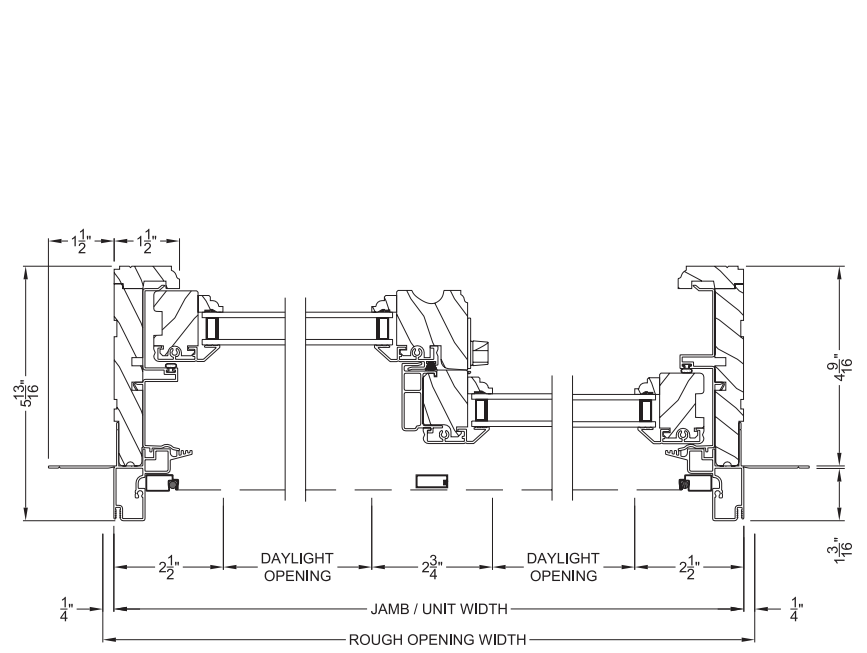


# SIGNATURE SERIES SLIDER WINDOWS (8401)

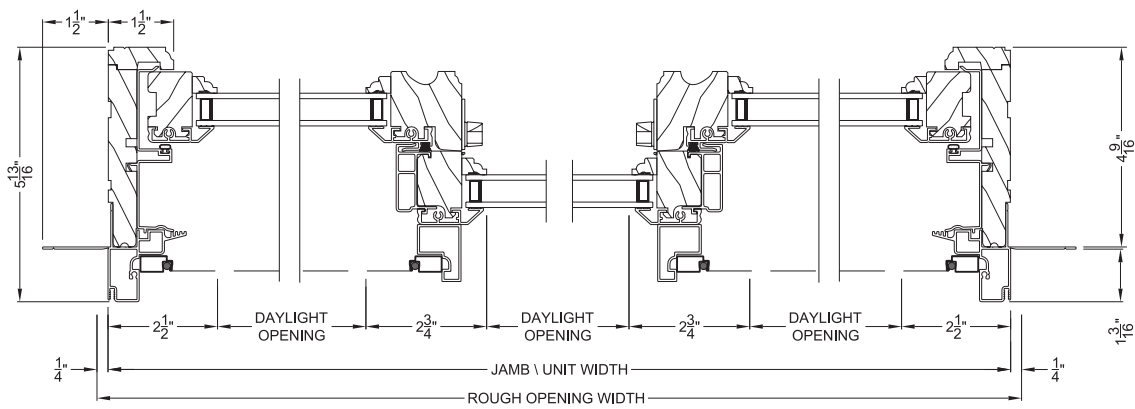
## Cross Sections



**SIGNATURE SLIDER WINDOW (8401)**  
Vertical Section



**SIGNATURE SLIDER WINDOW (8401)**  
Horizontal Section - Double Slider



**SIGNATURE SLIDER WINDOW (8401)**  
Horizontal Section - Triple Slider

Note: All dimensions are approximate. Weather Shield reserves the right to change specifications without notice.

# SIGNATURE SERIES

## SLIDER WINDOWS (8401)

### Opening Specifications

Call Size	Sq. Ft. Clear Opening	Clear Opening		Sq. Ft. Daylight Opening	Sq. Ft. Vent	Floor to Bottom of Clear Opening <sup>a</sup>	Sq. Ft. Overall Unit Area <sup>b</sup>
		Width	Height				
3020	1.847	14.006	18.985	3.156	1.847	61.221	5.793
3026	2.430	14.006	24.985	4.312	2.430	55.221	7.273
3030	3.014	14.006	30.985	5.468	3.014	49.221	8.752
3036	3.597	14.006	36.985	6.624	3.597	43.221	10.231
3040	4.181	14.006	42.985	7.781	4.181	37.221	11.710
3046	4.570	14.006	46.985	8.552	4.570	33.221	12.696
3050	5.348	14.006	54.985	10.093	5.348	25.221	14.668
3056	5.932	14.006	60.985	11.249	5.932	43.221	16.148
3060	6.515	14.006	66.985	12.406	6.515	37.221	17.627
4020	2.638	20.006	18.985	4.520	2.638	61.221	7.752
4026	3.471	20.006	24.985	6.177	3.471	55.221	9.731
4030	4.305	20.006	30.985	7.833	4.305	49.221	11.710
4036	5.138	20.006	36.985	9.489	5.138	43.221	13.689
4040	5.972	20.006	42.985	11.145	5.972	37.221	15.668
4046	6.528	20.006	46.985	12.249	6.528	33.221	16.988
4050	7.639	20.006	54.985	14.458	7.639	25.221	19.627
4056	8.473	20.006	60.985	16.114	8.473	43.221	21.606
4060	9.306	20.006	66.985	17.770	9.306	37.221	23.585
5020	3.429	26.006	18.985	5.885	3.429	61.221	9.710
5026	4.512	26.006	24.985	8.041	4.512	55.221	12.189
5030	5.596	26.006	30.985	10.197	5.596	49.221	14.668
5036	6.679	26.006	36.985	12.354	6.679	43.221	17.148
5040	7.763	26.006	42.985	14.510	7.763	37.221	19.627
5046	8.485	26.006	46.985	15.947	8.485	33.221	21.280
5050	9.930	26.006	54.985	18.822	9.930	25.221	24.585
5056	11.014	26.006	60.985	20.979	11.014	43.221	27.064
5050	12.097	26.006	66.985	23.135	12.097	37.221	29.543
6020	4.220	32.006	18.985	7.250	4.220	61.221	11.668
6026	5.553	32.006	24.985	9.906	5.553	55.221	14.648
6030 <sup>c</sup>	6.887	32.006	30.985	12.562	6.887	49.221	17.627
6036	8.220	32.006	36.985	15.218	8.220	43.221	20.606
6040	9.554	32.006	42.985	17.875	9.554	37.221	23.585
6046	10.443	32.006	46.985	19.645	10.443	33.221	25.571
6050	12.221	32.006	54.985	23.187	12.221	25.221	29.543
6056	13.555	32.006	60.985	25.843	13.555	43.221	32.523
6060	14.888	32.006	66.985	28.500	14.888	37.221	35.502
7036	5.472	21.307	36.985	12.346	5.472	43.221	24.064
7040	6.360	21.307	42.985	12.346	6.360	37.221	27.543
7046	6.952	21.307	46.985	12.346	6.952	33.221	29.863
7050	8.136	21.307	54.985	12.346	8.136	25.221	34.502
7056	9.023	21.307	60.985	12.346	9.023	19.221	37.981
7060	9.911	21.307	66.985	12.346	9.911	13.221	41.460
8036	6.500	25.307	36.985	16.737	6.500	43.221	27.523
8040	7.554	25.307	42.985	16.737	7.554	37.221	31.502
8046	8.257	25.307	46.985	16.737	8.257	33.221	34.155
8050	9.663	25.307	54.985	16.737	9.663	25.221	39.460
8056	10.717	25.307	60.985	16.737	10.717	43.221	43.439
8060	11.772	25.307	66.985	16.737	11.772	37.221	47.418
7036	4.983	19.401	36.985	9.129	4.983	43.221	24.064
7040	5.791	19.401	42.985	9.129	5.791	37.221	27.543
7046	6.330	19.401	46.985	9.129	6.330	33.221	29.863
7050	7.408	19.401	54.985	9.129	7.408	25.221	34.502
7056	8.216	19.401	60.985	9.129	8.216	19.221	37.981
7060	9.025	19.401	66.985	9.129	9.025	13.221	41.460
8036	5.753	22.401	36.985	12.401	5.753	43.221	27.523
8040	6.687	22.401	42.985	12.401	6.687	37.221	31.502
8046	7.309	22.401	46.985	12.401	7.309	33.221	34.155
8050	8.554	22.401	54.985	12.401	8.554	25.221	39.460
8056	9.487	22.401	60.985	12.401	9.487	43.221	43.439
8060	10.420	22.401	66.985	12.401	10.420	37.221	47.418

Shaded sizes meet or exceed egress opening requirements per 2006 IBC (International Building Code) minimum dimensions of 20" clear opening width, 24" clear opening height, 5.7 sq. ft. clear opening and floor to bottom of clear opening not to exceed 44".

<sup>a</sup> Floor to bottom of clear opening dimensions are based on 82" header height.

All units over 66 height are based off 106" header height for floor to clear opening dimension

<sup>b</sup> Sq. Ft. Overall Unit Area is calculated on the jamb dimension.

<sup>c</sup> These windows meet or exceed emergency escape and rescue opening requirements if installed lower in the wall so the "Floor to Bottom of Clear Opening Height" does not exceed 44".

Triple Slider Sizes (Equal End Vent)

Triple Slider Sizes (1/4-1/2-1/4)

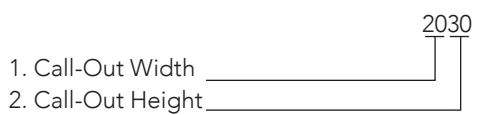
# SIGNATURE SERIES

## HINGED PATIO DOORS

<b>Hinged Patio Doors Table of Contents</b>	
Hinged Patio Door Footnotes.....	49
Hinged Patio Door Quick Guide Specs.....	50
Hinged Patio Door Elevations.....	51
Hinged Patio Door Cross Sections.....	55
Hinged Patio Door Opening Specifications.....	62

**Size Codes:**

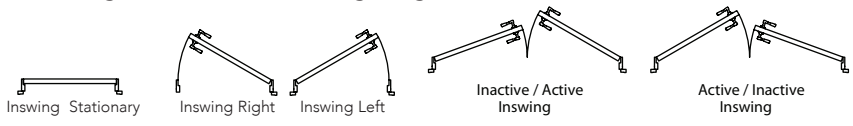
The Weather Shield size code uses meaningful characters to denote standard sizes. For example:



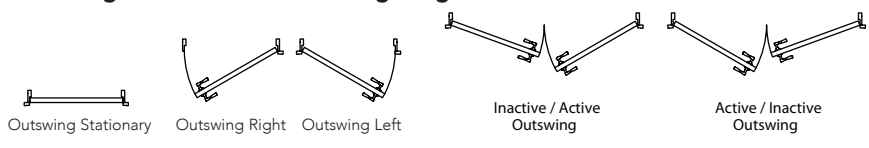
**Product Information:**

- Units show rectangular grille/SDL divisions.

**Side Hinged Patio Door Inswing Hinge Codes**



**Side Hinged Patio Door Outswing Hinge Codes**



# SIGNATURE SERIES

## HINGED PATIO DOORS (8510/8610)

### Quick Spec Guide

SPECIFICATION	STANDARD FEATURES	OPTIONAL FEATURES
<b>EXTERIOR FINISH</b>	<ul style="list-style-type: none"> <li>White</li> <li>Cameo</li> <li>Tan</li> <li>Desert Tan</li> <li>Heritage Brown</li> <li>Adobe</li> </ul>	<ul style="list-style-type: none"> <li>Craftsman Bronze</li> <li>Brick Red</li> <li>Hartford Green</li> <li>Gray Matters</li> <li>Obsidian</li> <li>Jet Black</li> </ul>
<b>EXTERIOR TRIM</b>	<ul style="list-style-type: none"> <li>Integral Nail Fin</li> </ul>	<ul style="list-style-type: none"> <li>7/8" Brickmold</li> <li>1-11/16" Brickmold</li> <li>1-11/16" Flat Casing</li> <li>3-5/16" Flat Casing</li> <li>Historical Brickmould</li> </ul>
<b>INTERIOR FINISH</b>	<ul style="list-style-type: none"> <li>Natural</li> </ul>	<ul style="list-style-type: none"> <li>Clear Satin</li> <li>Fruitwood</li> <li>Rich Mahogany</li> <li>Primed</li> <li>Golden Oak</li> <li>Chestnut</li> <li>Prefinished White &amp; Black</li> <li>Poly – White &amp; Jet Black</li> </ul>
<b>INTERIOR SPECIES</b>	<ul style="list-style-type: none"> <li>Pine</li> </ul>	<ul style="list-style-type: none"> <li>Character Alder</li> <li>Mixed Grain Fir</li> </ul>
<b>SIZE</b>	<ul style="list-style-type: none"> <li>Width</li> <li>Single Panel Doors 2-1, 2-7, 2-9, 3-1, 3-2</li> <li>Two Panel Doors 4-0, 5-0, 5-4, 6-0, 6-2</li> <li>Height</li> <li>Single and Two panel Doors 6-8, 6-10, 7-2, 8-0, 8-2</li> </ul>	<ul style="list-style-type: none"> <li>Single Panel Doors: Any jamb width: 19-1/4" to 42-5/16"</li> <li>Two Panel Doors: Any jamb width: 37-1/2" to 83-1/4"</li> <li>Single and Two Panel Doors: Any jamb height: 57-3/32" to 98-1/32"</li> </ul>
<b>GLAZING</b>	<ul style="list-style-type: none"> <li>Low-E Insulating Glass</li> <li>Tempered Glass</li> </ul>	<ul style="list-style-type: none"> <li>Clear IG</li> <li>Low-E 240</li> <li>Zo-e-shield 5</li> <li>Zo-e-shield Extreme</li> <li>Zo-e Shield 6 (laminated)</li> <li>Grey or Bronze Tint</li> <li>Obscure</li> </ul>
<b>GRILLES</b>		<ul style="list-style-type: none"> <li>GBG: 5/8" Flat or 11/16" Sculptured</li> <li>SDL: 5/8", 7/8", 1-1/8", 2" (limited cut styles)</li> <li>Wood Grille: 7/8"</li> </ul>
<b>HARDWARE</b>	<ul style="list-style-type: none"> <li>3 point lock</li> <li>Arch top escutcheon plate</li> <li>Keyed random lock</li> <li>36" lockset location</li> <li>Butt hinge</li> <li>Manual flushbolts</li> </ul>	<ul style="list-style-type: none"> <li>Single point lock</li> <li>Square top escutcheon plate</li> <li>Keyed alike locks</li> <li>54" lockset location</li> <li>Adjustable hinges</li> <li>Handle activated flushbolts</li> <li>No Lockset No Bore</li> <li>Deadbolt &amp; Lever Set</li> <li>Handle extension</li> </ul>
<b>HARDWARE COLOR</b>	<ul style="list-style-type: none"> <li>Bright Brass PVD</li> <li>Black</li> </ul>	<ul style="list-style-type: none"> <li>Brushed Nickel PVD</li> <li>Oil Rubbed Bronze</li> <li>Antique Brass</li> <li>Chrome</li> </ul>
<b>JAMB</b>	<ul style="list-style-type: none"> <li>4-9/16"</li> </ul>	<ul style="list-style-type: none"> <li>4-9/16 Min</li> <li>7-1/8" (inswing), 12" (outswing) Max</li> </ul>
<b>HINGING</b>	<ul style="list-style-type: none"> <li>Inswing (8510)</li> </ul>	<ul style="list-style-type: none"> <li>Outswing (8610)</li> </ul>
<b>PANEL THICKNESS</b>	<ul style="list-style-type: none"> <li>1-3/4"</li> </ul>	
<b>RAILS</b>	<ul style="list-style-type: none"> <li>5" (top)</li> <li>7-1/2" (bottom)</li> </ul>	
<b>SILLS</b>	<ul style="list-style-type: none"> <li>Standard</li> </ul>	<ul style="list-style-type: none"> <li>ADA</li> <li>Low Profile (outswing)</li> </ul>



# SIGNATURE SERIES

## HINGED PATIO DOORS (8510/8610)

### Elevations

Jamb Dimension	2'-0 5/16"	2'-6 5/16"	2'-8 5/16"	3'-0 5/16"	3'-1 9/16"	3'-11 1/4"	4'-11 1/4"	5'-3 1/4"	5'-11 1/4"	6'-1 11/16"
Rough Opening	2'-1 1/16"	2'-7 1/16"	2'-9 1/16"	3'-1 1/16"	3'-2 5/16"	4'-0"	5'-0"	5'-4"	6'-0"	6'-2 7/16"
Metric R.O. (mm)	637	789	840	941	973	1219	1524	1626	1829	1891
Glass Size	13 1/16"	19 1/16"	21 1/16"	25 1/16"	26 5/16"	13 1/16"	19 1/16"	21 1/16"	25 1/16"	26 5/16"

6'-7 17/32" 6'-8" 2032 64 13/16"											
	1-2168	1-2768	1-2968	1-3168	1-3268	2-4068	2-5068	2-5468	2-6068	2-6268	
	6'-10 1/32" 6'-10 1/2" 2096 67 5/16"										
		1-21610	1-27610	1-29610	1-31610	1-32610	2-40610	2-50610	2-54610	2-60610	2-62610
		7'-2 1/32" 7'-2 1/2" 2197 71 5/16"									
1-2172			1-2772	1-2972	1-3172	1-3272	2-4072	2-5072	2-5472	2-6072	2-6272
8'-0 1/32" 8'-0 1/2" 2451 81 5/16"											
	1-2180		1-2780	1-2980	1-3180	1-3280	2-4080	2-5080	2-5480	2-6080	2-6280
	8'-2 1/32" 8'-2 1/2" 2502 83 5/16"										
		1-2182	1-2782	1-2982	1-3182	1-3282	2-4082	2-5082	2-5482	2-6082	2-6282

NOTE: Sizes are available inswing or outswing.

# SIGNATURE SERIES

## CENTER HINGED PATIO DOORS (8510)

### Elevations

Jamb Dimension	4'-11 1/4"	5'-11 1/4"	6'-1 11/16"	7'-4 3/16"	7'-10 3/16"	8'-10 3/16"
Rough Opening	5'-0"	6'-0"	6'-2 7/16"	7'-4 15/16"	7'-10 15/16"	8'-10 15/16"
Metric R.O. (mm)	1524	1829	1891	2259	2411	2716
Glass Size	19 1/16"	25 1/16"	26 1/4"	19 1/16"	21 1/16"	25 1/16"
6'-7 17/32"						
6'-8"						
2032						
64 13/16"						
6'-10 1/32"						
6'-10 1/2"						
2096						
67 5/16"						
7'-2 1/32"						
7'-2 1/2"						
2197						
71 5/16"						
8'-0 1/32"						
8'-0 1/2"						
2451						
81 5/16"						
8'-2 1/32"						
8'-2 1/2"						
2502						
83 5/16"						

NOTE: Sizes are available Inswing only.

# SIGNATURE SERIES

## HINGED PATIO DOORS SIDELITES (8510/8610)

### Elevations

Jamb Dimension	1'-2 1/2"	1'-4 1/2"	1'-6 1/2"	1'-8 1/2"
Rough Opening	1'-3 1/4"	1'-5 1/4"	1'-7 1/4"	1'-9 1/4"
Metric R.O. (mm)	387	438	489	540
Class Size	8"	10"	12"	14"

6'-7 17/32"				
6'-8"	1368	1568	1768	1968
2032				
64 13/16"				
6'-10 1/32"				
6'-10 1/2"	13610	15610	17610	19610
2096				
67 5/16"				
7'-2 1/32"				
7'-2 1/2"	1372	1572	1772	1972
2197				
71 5/16"				
8'-0 1/32"				
8'-0 1/2"	1380	1580	1780	1980
2451				
81 5/16"				
8'-2 1/32"				
8'-2 1/2"	1382	1582	1782	1982
2502				
83 5/16"				

NOTE: Sizes are available inswing or outswing.

# SIGNATURE SERIES

## HINGED PATIO DOOR TRANSOMS (830)

### Elevations

#### 1-Wide Door Transoms

#### 2-Wide Door Transoms

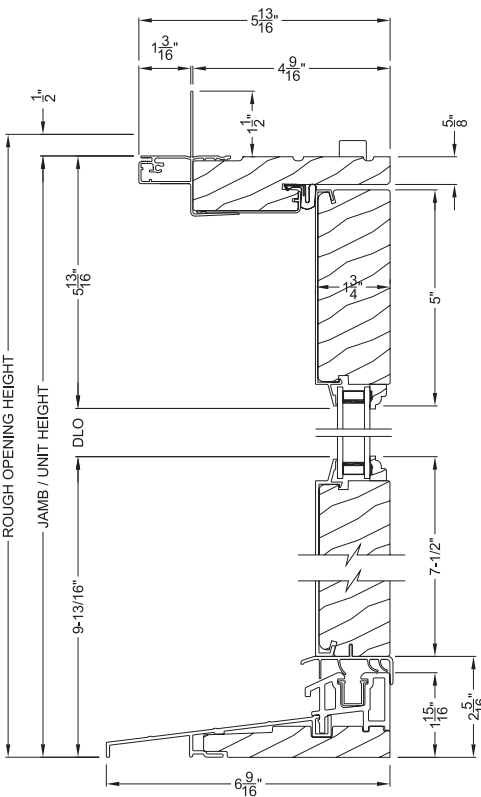
Jamb Dimension	2'-0 5/16"	2'-6 5/16"	2'-8 5/16"	3'-0 5/16"	3'-1 9/16"	3'-11 1/4"	4'-11 1/4"	5'-3 1/4"	5'-11 1/4"	6'-1 11/16"
Rough Opening	2'-1 1/16"	2'-7 1/16"	2'-9 1/16"	3'-1 1/16"	3'-2 5/16"	4'-0"	5'-0"	5'-4"	6'-0"	6'-2 7/16"
Metric R.O. (mm)	637	789	840	941	973	1219	1524	1626	1829	1891
Class Size	22 13/16"	28 13/16"	30 13/16"	34 13/16"	36 1/16"	45 3/4"	57 3/4"	61 3/4"	69 3/4"	72 3/16"
1'-0"	2110	2710	2910	3110	3210	4010	5010	5410	6010	6210
1'-8 1/2"	2118	2718	2918	3118	3218	4018	5018	5418	6018	6218
2'-0 1/2"	2120	2720	2920	3120	3220	4020	5020	5420	6020	6220
2'-4 1/2"	2124	2724	2924	3124	3224	4024	5024	5424	6024	6224

#### Center Hinged Door Transoms

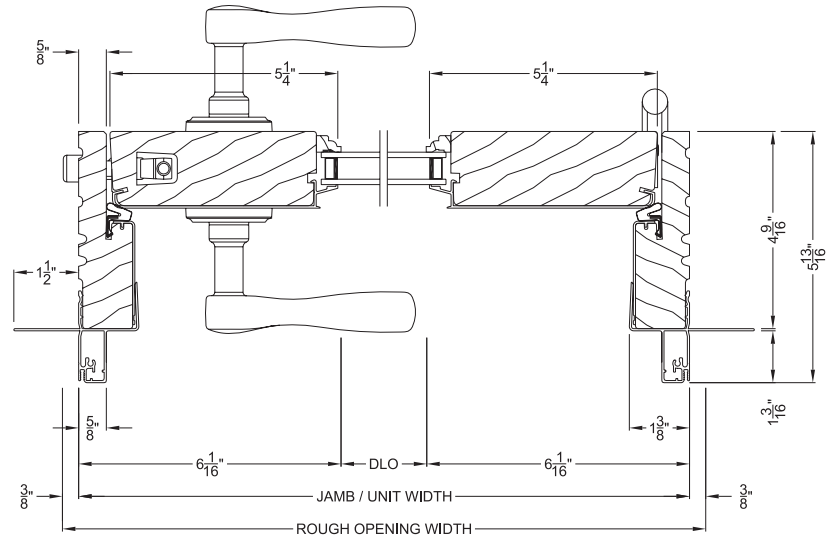
Jamb Dimension	4'-11 1/4"	5'-11 1/4"	6'-1 11/16"	7'-4 3/16"	7'-10 3/16"	8'-10 3/16"
Rough Opening	5'-0"	6'-0"	6'-2 7/16"	7'-4 15/16"	7'-10 15/16"	8'-10 15/16"
Metric R.O. (mm)	1524	1829	1891	2259	2411	2716
Class Size	57 3/4"	69 3/4"	72 3/16"	86 11/16"	92 11/16"	104 11/16"
1'-0"	5010	6010	6210	7510	71110	81110
1'-8 1/2"	5018	6018	6218	7518	71118	81118
2'-0 1/2"	5020	6020	6220	7520	71120	81120
2'-4 1/2"	5024	6024	6224	7524	71124	81124

# SIGNATURE SERIES INSWING HINGED PATIO DOORS (8510)

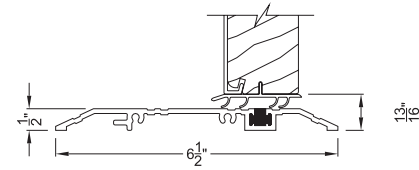
## Cross Sections



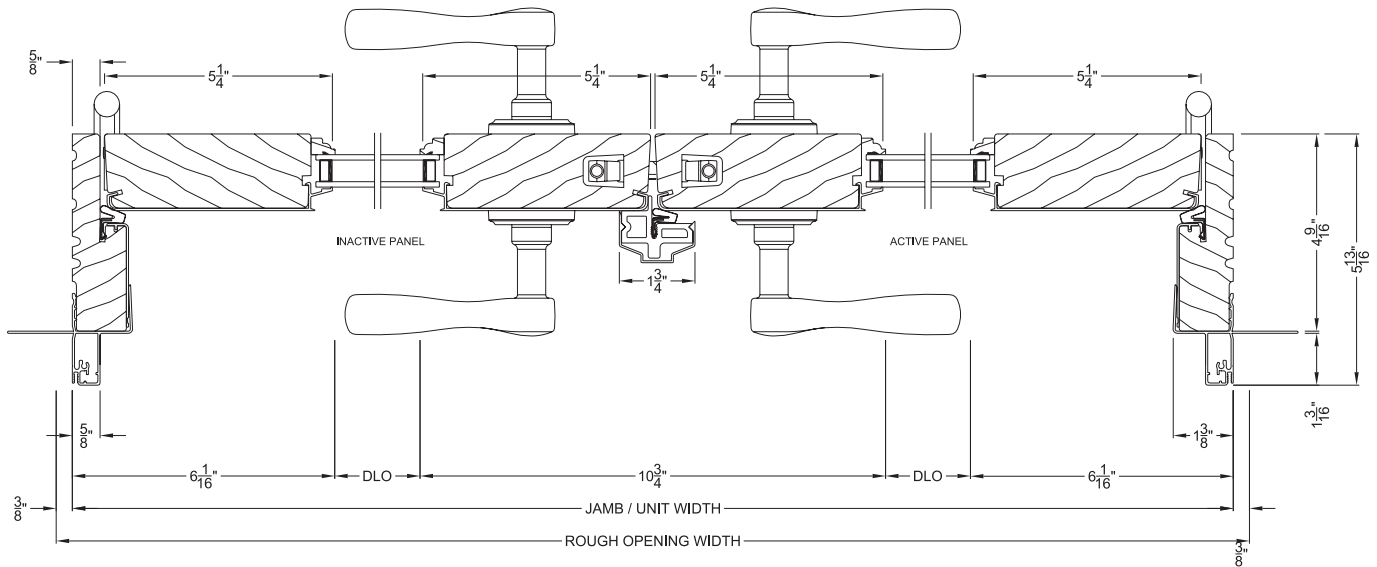
**SIGNATURE INSWING DOOR (8510)**  
Vertical Section



**SIGNATURE INSWING DOOR (8510)**  
Horizontal Section - Single Door



**SIGNATURE INSWING DOOR (8510)**  
Vertical Section - ADA Sill



**SIGNATURE INSWING DOOR (8510)**  
Horizontal Section - Double Door

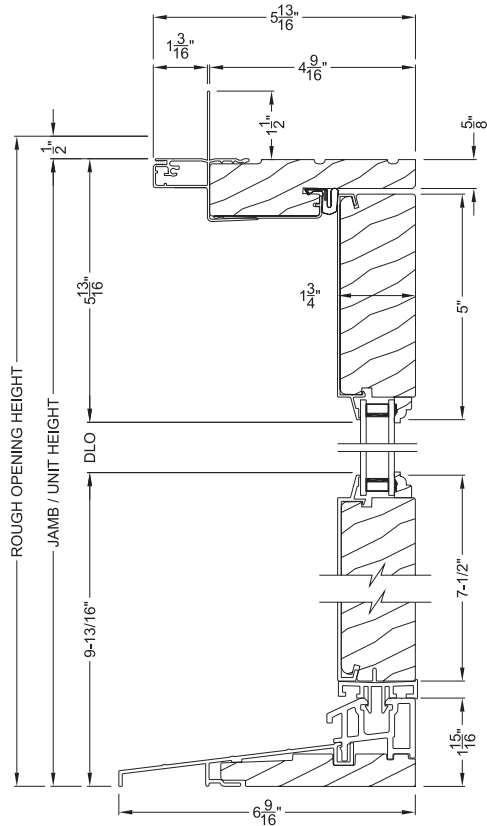
Note: All dimensions are approximate. Weather Shield reserves the right to change specifications without notice.

# SIGNATURE SERIES

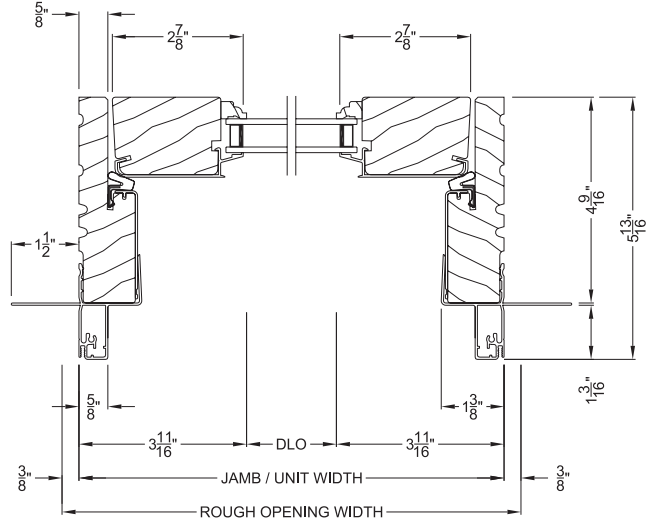
## INSWING HINGED PATIO DOOR SIDELITES (8510)

### Cross Sections

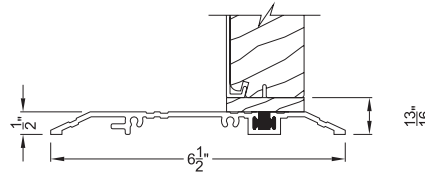
HINGED PATIO DOORS



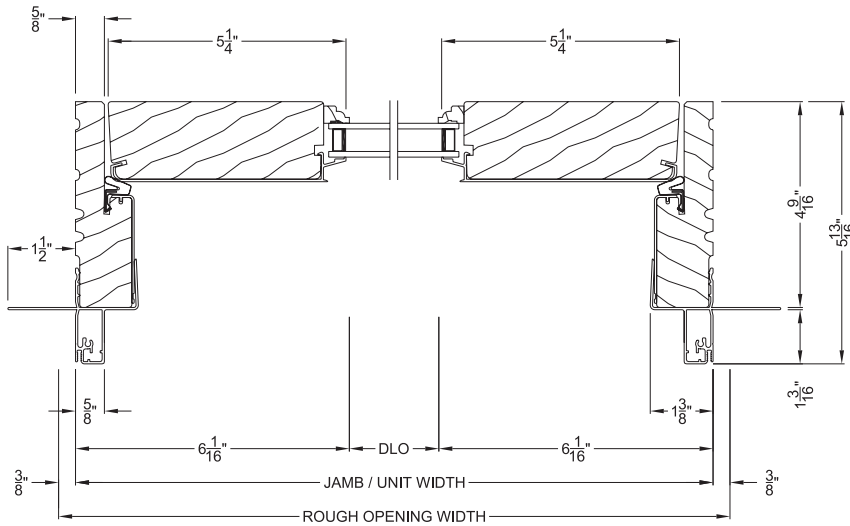
**SIGNATURE INSWING SIDELITE (8510)**  
Vertical Section



**SIGNATURE INSWING SIDELITE (8510)**  
Horizontal Section



**SIGNATURE INSWING SIDELITE (8510)**  
Vertical Section - ADA Sill



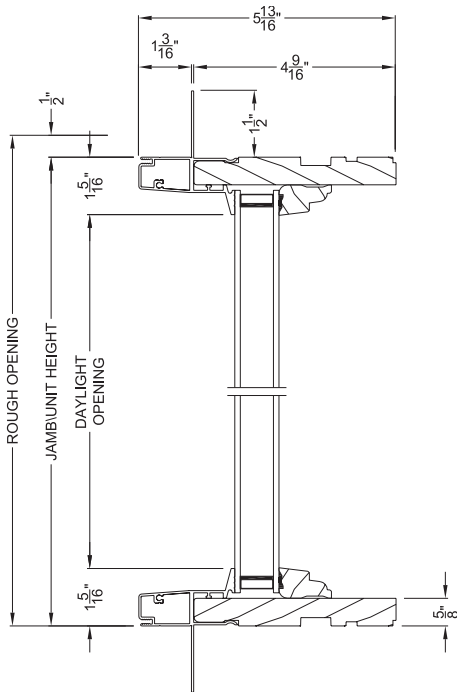
**SIGNATURE INSWING DOOR (8510)**  
Horizontal Section - Stationary Single Door

Note: All dimensions are approximate. Weather Shield reserves the right to change specifications without notice.

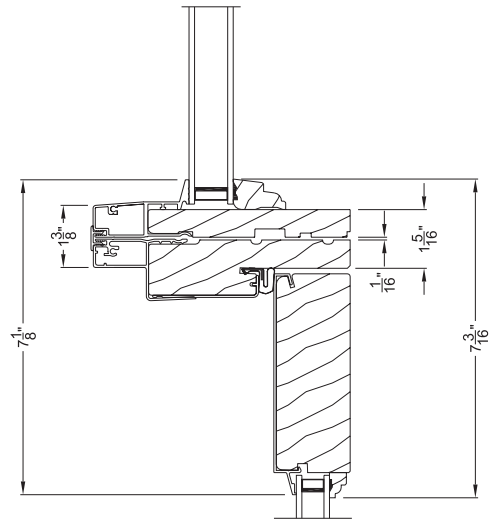


# SIGNATURE SERIES INSWING HINGED PATIO DOOR TRANSOMS (830)

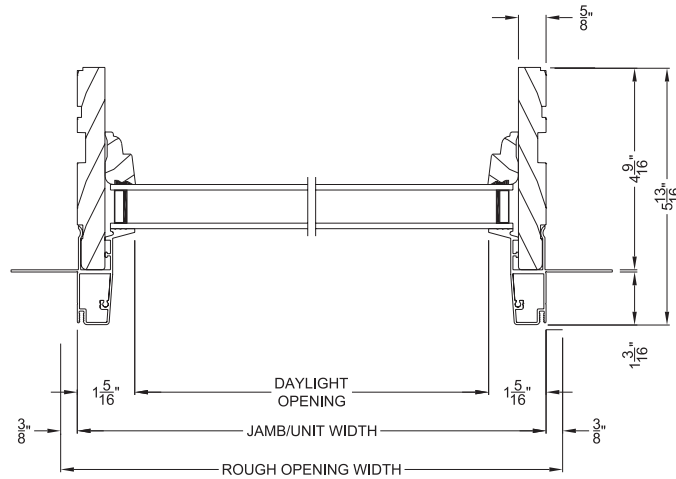
## Cross Sections



**SIGNATURE INSWING HINGED DOOR TRANSOM (830)**  
Vertical Section



**SIGNATURE INSWING HINGED DOOR TRANSOM (830)**  
Horizontal Stack Section - Transom Stack over Inswing Door



**SIGNATURE INSWING HINGED DOOR TRANSOM (830)**  
Horizontal Section

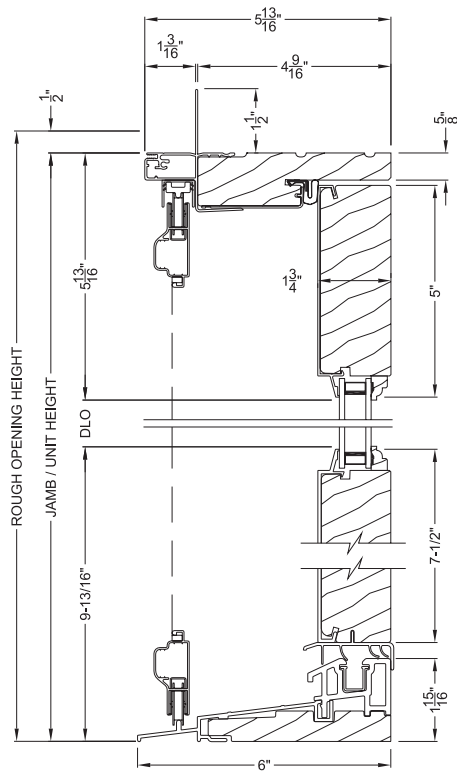
Note: All dimensions are approximate. Weather Shield reserves the right to change specifications without notice.

# SIGNATURE SERIES

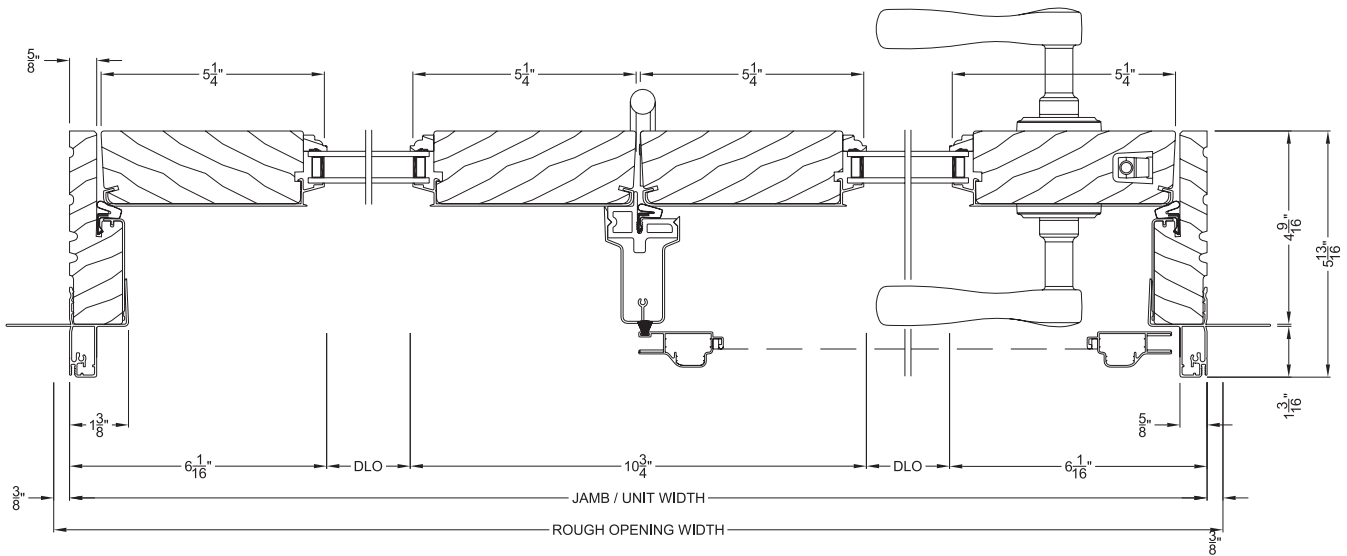
## CENTER HINGED PATIO DOORS (8510)

### Cross Sections

HINGED PATIO DOORS



**SIGNATURE CENTER HINGE DOOR (8510)**  
Vertical Section

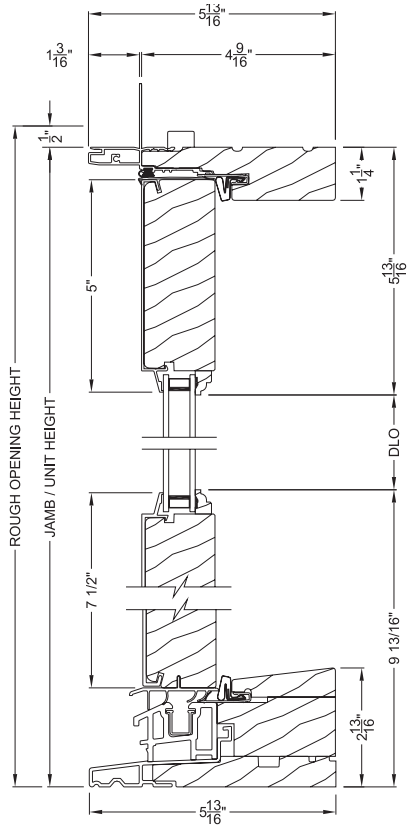


**SIGNATURE CENTER HINGE DOOR (8510)**  
Horizontal Section

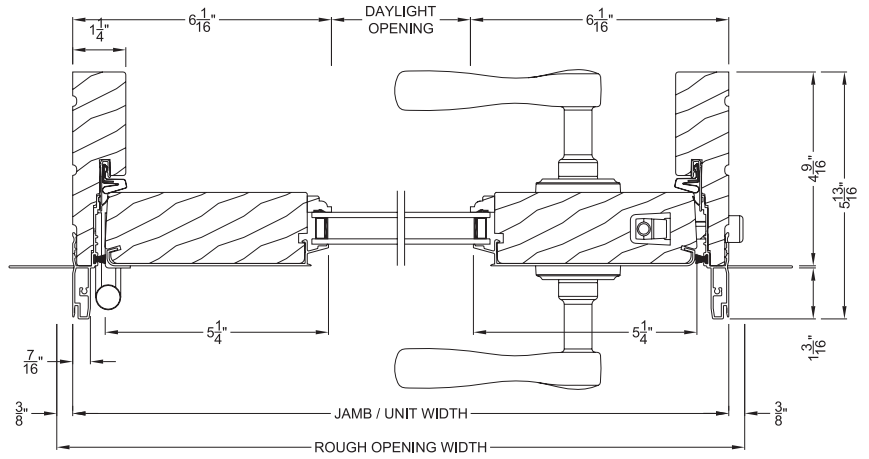
Note: All dimensions are approximate. Weather Shield reserves the right to change specifications without notice.

# SIGNATURE SERIES OUTSWING HINGED PATIO DOORS (8610)

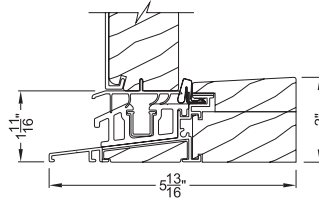
## Cross Sections



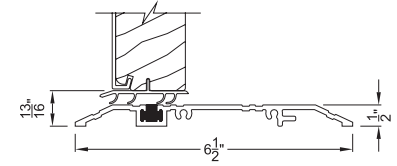
**SIGNATURE OUT-SWING DOOR (8610)**  
Vertical Section - Standard Sill



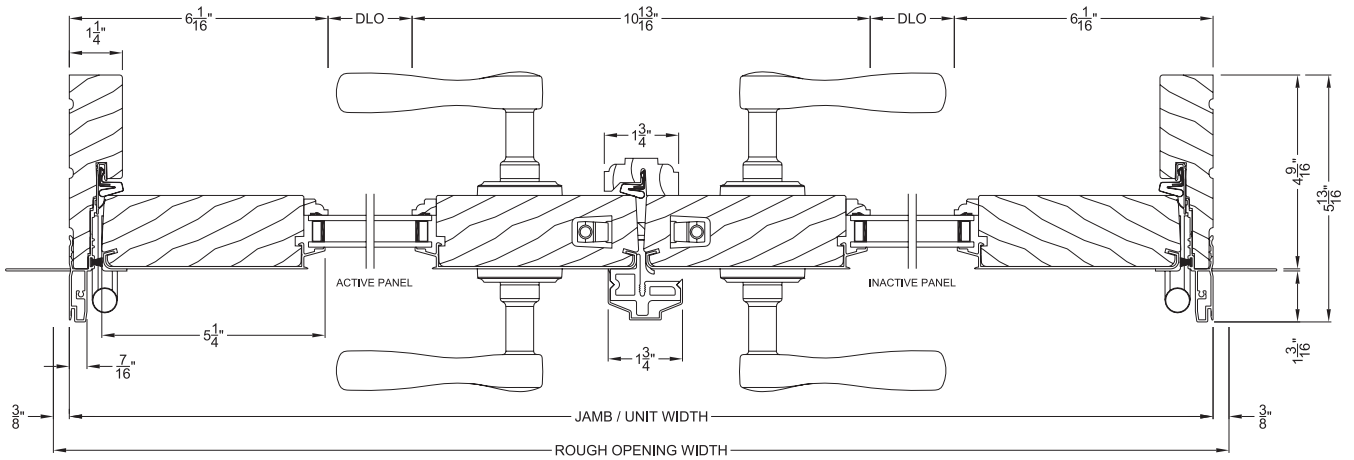
**SIGNATURE OUT-SWING DOOR (8610)**  
Horizontal Section - Single Door



**SIGNATURE OUT-SWING DOOR (8610)**  
Vertical Section - Alternate Low Profile Sill



**SIGNATURE OUTSWING DOOR (8610)**  
Vertical Section - ADA Sill



**SIGNATURE FRENCH OUT-SWING DOOR (8610)**  
Horizontal Section - Double Door

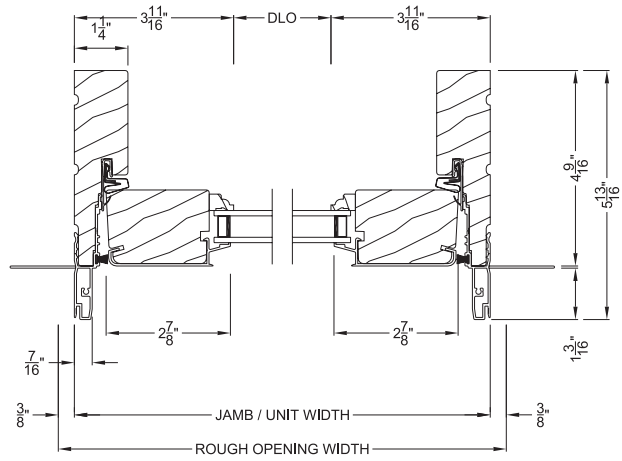
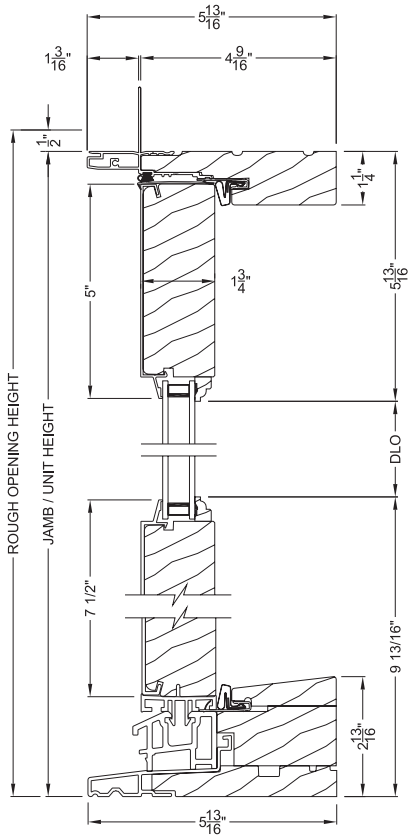
Note: All dimensions are approximate. Weather Shield reserves the right to change specifications without notice.

# SIGNATURE SERIES

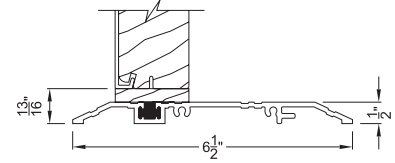
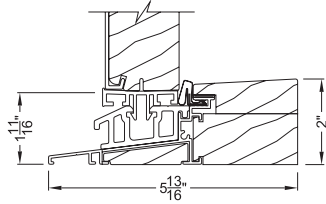
## OUTSWING HINGED PATIO DOOR SIDELITES (8610)

### Cross Sections

HINGED PATIO DOORS



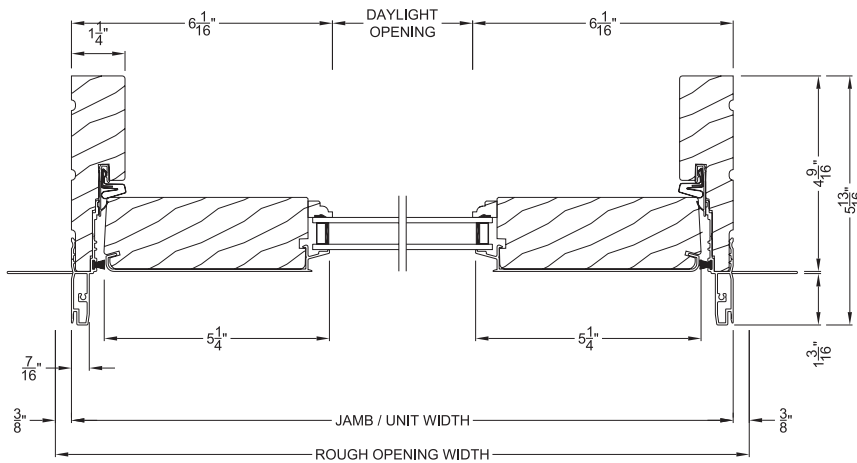
**SIGNATURE OUTSWING SIDELITE (8610)**  
Horizontal Section



**SIGNATURE OUTSWING SIDELITE (8610)**  
Vertical Section

**SIGNATURE OUTSWING SIDELITE (8610)**  
Vertical Section - Alternate Low Profile Sill

**SIGNATURE OUTSWING SIDELITE (8610)**  
Vertical Section - ADA Sill



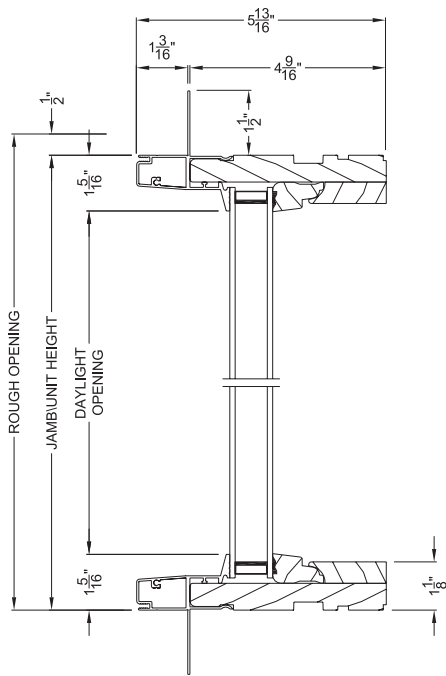
**SIGNATURE OUTSWING DOOR (8610)**  
Horizontal Section - Stationary Single Door

Note: All dimensions are approximate. Weather Shield reserves the right to change specifications without notice.

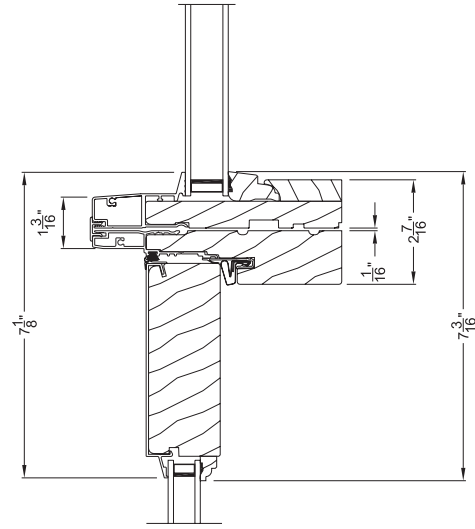
# SIGNATURE SERIES

# OUTSWING HINGED PATIO DOOR TRANSOMS (830)

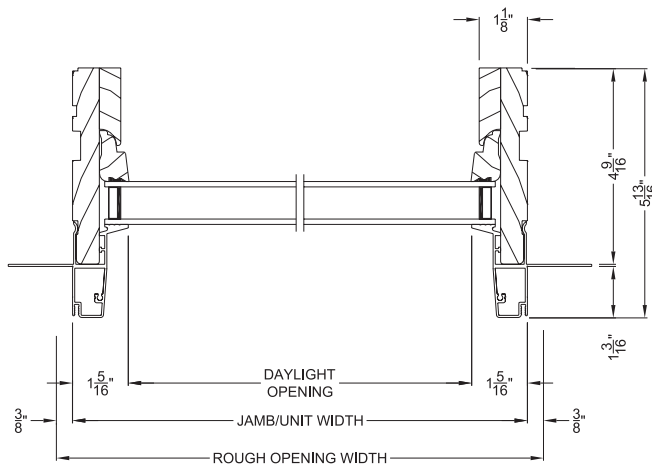
## Cross Sections



**SIGNATURE OUTSWING HINGED DOOR TRANSOM (830)**  
Vertical Section



**SIGNATURE OUTSWING HINGED DOOR TRANSOM (830)**  
Horizontal Stack Section - Transom Stack over Outswing Door



**SIGNATURE OUTSWING HINGED DOOR TRANSOM (830)**  
Horizontal Section

Note: All dimensions are approximate. Weather Shield reserves the right to change specifications without notice.

# SIGNATURE SERIES

## INSWING HINGED PATIO DOORS STANDARD SILL (8510)

### Opening Specifications

Ordering Size	Sq. Ft. Clear Opening		Clear Opening <sup>a</sup>				Sq. Ft. Daylight Opening			Sq. Ft. Vent		Sq. Ft. Overall Unit Area <sup>b</sup>
	1 Oper. Panel	2 Oper. Panels	Width		Height	7-1/2" Bottom Rail	10" Bottom Rail	12" Bottom Rail	1 Oper. Panel	2 Oper. Panels		
			1 Oper. Panel	2 Oper. Panels								
2-1 x 6-8	10.40	---	19.66	---	76.18	5.45	5.24	5.07	10.40	---	13.43	
2-7 x 6-8	13.58	---	25.66	---	76.18	8.12	7.80	7.55	13.58	---	16.74	
2-9 x 6-8	14.63	---	27.66	---	76.18	9.00	8.65	8.37	14.63	---	17.85	
3-1 x 6-8	16.75	---	31.66	---	76.18	10.78	10.36	10.02	16.75	---	20.06	
3-2 x 6-8	17.41	---	32.91	---	76.18	11.34	10.89	10.54	17.41	---	20.75	
4-0 x 6-8	10.25	21.55	19.38	40.73	76.18	10.90	10.48	10.14	10.25	21.55	26.10	
5-0 x 6-8	13.43	27.89	25.38	52.73	76.18	16.24	15.60	15.10	13.43	27.89	32.72	
5-4 x 6-8	14.48	30.01	27.38	56.73	76.18	18.00	17.30	16.74	14.48	30.01	34.93	
6-0 x 6-8	16.60	34.24	31.38	64.73	76.18	21.56	20.72	20.04	16.60	34.24	39.35	
6-2 x 6-8	17.24	35.53	32.60	67.16	76.18	22.68	21.78	21.08	17.24	35.53	40.70	
2-1 x 6-10	10.74	---	19.66	---	78.68	5.67	5.45	5.28	10.74	---	13.85	
2-7 x 6-10	14.02	---	25.66	---	78.68	8.43	8.12	7.86	14.02	---	17.27	
2-9 x 6-10	15.11	---	27.66	---	78.68	9.36	9.00	8.72	15.11	---	18.41	
3-1 x 6-10	17.30	---	31.66	---	78.68	11.20	10.78	10.44	17.30	---	20.69	
3-2 x 6-10	17.98	---	32.91	---	78.68	11.78	11.34	10.98	17.98	---	21.40	
4-0 x 6-10	10.59	22.25	19.38	40.73	78.68	11.34	10.90	10.56	10.59	22.25	26.92	
5-0 x 6-10	13.87	28.81	25.38	52.73	78.68	16.86	16.24	15.72	13.87	28.81	33.75	
5-4 x 6-10	14.96	30.99	27.38	56.73	78.68	18.72	18.00	17.44	14.96	30.99	36.03	
6-0 x 6-10	17.14	35.37	31.38	64.73	78.68	22.40	21.56	20.88	17.14	35.37	40.59	
6-2 x 6-10	17.81	36.70	32.60	67.16	78.68	23.56	22.68	21.96	17.81	36.70	41.98	
2-1 x 7-2	11.29	---	19.66	---	82.68	6.01	5.79	5.62	11.29	---	14.53	
2-7 x 7-2	14.73	---	25.66	---	82.68	8.94	8.62	8.37	14.73	---	18.11	
2-9 x 7-2	15.88	---	27.66	---	82.68	9.92	9.57	9.29	15.88	---	19.30	
3-1 x 7-2	18.18	---	31.66	---	82.68	11.88	11.46	11.12	18.18	---	21.69	
3-2 x 7-2	18.90	---	32.91	---	82.68	12.49	12.05	11.69	18.90	---	22.44	
4-0 x 7-2	11.13	23.38	19.38	40.73	82.68	12.02	11.58	11.24	11.13	23.38	28.23	
5-0 x 7-2	14.57	30.27	25.38	52.73	82.68	17.88	17.24	16.74	14.57	30.27	35.40	
5-4 x 7-2	15.72	32.57	27.38	56.73	82.68	19.84	19.14	18.58	15.72	32.57	37.79	
6-0 x 7-2	18.02	37.16	31.38	64.73	82.68	23.76	22.92	22.24	18.02	37.16	42.57	
6-2 x 7-2	18.72	38.56	32.60	67.16	82.68	24.98	24.10	23.38	18.72	38.56	44.02	
2-1 x 8-0	12.65	---	19.66	---	92.68	6.86	6.65	6.48	12.65	---	16.21	
2-7 x 8-0	16.52	---	25.66	---	92.68	10.21	9.89	9.64	16.52	---	20.21	
2-9 x 8-0	17.80	---	27.66	---	92.68	11.33	10.98	10.70	17.80	---	21.55	
3-1 x 8-0	20.38	---	31.66	---	92.68	13.56	13.14	12.80	20.38	---	24.22	
3-2 x 8-0	21.18	---	32.91	---	92.68	14.26	13.82	13.46	21.18	---	25.05	
4-0 x 8-0	12.47	26.21	19.38	40.73	92.68	13.72	13.30	12.96	12.47	26.21	31.51	
5-0 x 8-0	16.33	33.94	25.38	52.73	92.68	20.42	19.78	19.28	16.33	33.94	39.51	
5-4 x 8-0	17.62	36.51	27.38	56.73	92.68	22.66	21.96	21.40	17.62	36.51	42.18	
6-0 x 8-0	20.20	41.66	31.38	64.73	92.68	27.12	26.28	25.60	20.20	41.66	47.52	
6-2 x 8-0	20.98	43.23	32.60	67.16	92.68	28.52	27.64	26.92	20.98	43.23	49.14	
2-1 x 8-2	12.93	---	19.66	---	94.68	7.03	6.82	6.65	12.93	---	16.55	
2-7 x 8-2	16.87	---	25.66	---	94.68	10.47	10.15	9.89	16.87	---	20.64	
2-9 x 8-2	18.19	---	27.66	---	94.68	11.61	11.26	10.98	18.19	---	22.00	
3-1 x 8-2	20.82	---	31.66	---	94.68	13.90	13.48	13.14	20.82	---	24.72	
3-2 x 8-2	21.64	---	32.91	---	94.68	14.62	14.17	13.82	21.64	---	25.57	
4-0 x 8-2	12.74	26.78	19.38	40.73	94.68	14.06	13.64	13.30	12.74	26.78	32.17	
5-0 x 8-2	16.69	34.67	25.38	52.73	94.68	20.94	20.30	19.78	16.69	34.67	40.34	
5-4 x 8-2	18.00	37.30	27.38	56.73	94.68	23.22	22.52	21.96	18.00	37.30	43.06	
6-0 x 8-2	20.63	42.56	31.38	64.73	94.68	27.80	26.96	26.28	20.63	42.56	48.51	
6-2 x 8-2	21.43	44.16	32.60	67.16	94.68	29.24	28.34	27.64	21.43	44.16	50.16	

<sup>a</sup> All calculations assume operating panel is open 90 degrees.

<sup>b</sup> Sq. Ft. Overall Unit Area is calculated on the jamb dimension.



# SIGNATURE SERIES

## IN SWING HINGED PATIO DOORS ADA SILL (8510)

### Opening Specifications

Ordering Size	Sq. Ft. Clear Opening		Clear Opening <sup>a</sup>			Sq. Ft. Daylight Opening			Sq. Ft. Vent		Sq. Ft. Overall Unit Area <sup>b</sup>
	1 Oper. Panel	2 Oper. Panels	Width		Height	7-1/2" Bottom Rail	10" Bottom Rail	12" Bottom Rail	1 Oper. Panel	2 Oper. Panels	
			1 Oper. Panel	2 Oper. Panels							
2-1 x 6-8	10.45	---	19.77	---	76.14	5.45	5.24	5.07	10.45	---	13.17
2-7 x 6-8	13.62	---	25.77	---	76.14	8.12	7.80	7.55	13.62	---	16.43
2-9 x 6-8	14.68	---	27.77	---	76.14	9.00	8.65	8.37	14.68	---	17.51
3-1 x 6-8	16.80	---	31.77	---	76.14	10.78	10.36	10.02	16.80	---	19.68
3-2 x 6-8	17.46	---	33.02	---	76.14	11.34	10.89	10.54	17.46	---	20.35
4-0 x 6-8	10.25	21.50	19.38	40.66	76.14	10.90	10.48	10.14	10.25	21.50	25.60
5-0 x 6-8	13.42	27.84	25.38	52.66	76.14	16.24	15.60	15.10	13.42	27.84	32.11
5-4 x 6-8	14.48	29.96	27.38	56.66	76.14	18.00	17.30	16.74	14.48	29.96	34.27
6-0 x 6-8	16.59	34.19	31.38	64.66	76.14	21.56	20.72	20.04	16.59	34.19	38.61
6-2 x 6-8	17.24	35.48	32.60	67.09	76.14	22.68	21.78	21.08	17.24	35.48	39.93
2-1 x 6-10	10.79	---	19.77	---	78.64	5.67	5.45	5.28	10.79	---	13.60
2-7 x 6-10	14.07	---	25.77	---	78.64	8.43	8.12	7.86	14.07	---	16.95
2-9 x 6-10	15.16	---	27.77	---	78.64	9.36	9.00	8.72	15.16	---	18.07
3-1 x 6-10	17.35	---	31.77	---	78.64	11.20	10.78	10.44	17.35	---	20.31
3-2 x 6-10	18.03	---	33.02	---	78.64	11.78	11.34	10.98	18.03	---	21.01
4-0 x 6-10	10.58	22.20	19.38	40.66	78.64	11.34	10.90	10.56	10.58	22.20	26.42
5-0 x 6-10	13.86	28.76	25.38	52.66	78.64	16.86	16.24	15.72	13.86	28.76	33.14
5-4 x 6-10	14.95	30.94	27.38	56.66	78.64	18.72	18.00	17.44	14.95	30.94	35.37
6-0 x 6-10	17.14	35.31	31.38	64.66	78.64	22.40	21.56	20.88	17.14	35.31	39.85
6-2 x 6-10	17.80	36.64	32.60	67.09	78.64	23.56	22.68	21.96	17.80	36.64	41.21
2-1 x 7-2	11.34	---	19.77	---	82.64	6.01	5.79	5.62	11.34	---	14.27
2-7 x 7-2	14.79	---	25.77	---	82.64	8.94	8.62	8.37	14.79	---	17.79
2-9 x 7-2	15.93	---	27.77	---	82.64	9.92	9.57	9.29	15.93	---	18.97
3-1 x 7-2	18.23	---	31.77	---	82.64	11.88	11.46	11.12	18.23	---	21.32
3-2 x 7-2	18.95	---	33.02	---	82.64	12.49	12.05	11.69	18.95	---	22.05
4-0 x 7-2	11.12	23.33	19.38	40.66	82.64	12.02	11.58	11.24	11.12	23.33	27.74
5-0 x 7-2	14.56	30.22	25.38	52.66	82.64	17.88	17.24	16.74	14.56	30.22	34.78
5-4 x 7-2	15.71	32.51	27.38	56.66	82.64	19.84	19.14	18.58	15.71	32.51	37.13
6-0 x 7-2	18.01	37.11	31.38	64.66	82.64	23.76	22.92	22.24	18.01	37.11	41.83
6-2 x 7-2	18.71	38.50	32.60	67.09	82.64	24.98	24.10	23.38	18.71	38.50	43.26
2-1 x 8-0	12.72	---	19.77	---	92.64	6.86	6.65	6.48	12.72	---	15.96
2-7 x 8-0	16.58	---	25.77	---	92.64	10.21	9.89	9.64	16.58	---	19.90
2-9 x 8-0	17.86	---	27.77	---	92.64	11.33	10.98	10.70	17.86	---	21.21
3-1 x 8-0	20.44	---	31.77	---	92.64	13.56	13.14	12.80	20.44	---	23.84
3-2 x 8-0	21.24	---	33.02	---	92.64	14.26	13.82	13.46	21.24	---	24.66
4-0 x 8-0	12.47	26.16	19.38	40.66	92.64	13.72	13.30	12.96	12.47	26.16	31.02
5-0 x 8-0	16.33	33.88	25.38	52.66	92.64	20.42	19.78	19.28	16.33	33.88	38.90
5-4 x 8-0	17.61	36.45	27.38	56.66	92.64	22.66	21.96	21.40	17.61	36.45	41.52
6-0 x 8-0	20.19	41.60	31.38	64.66	92.64	27.12	26.28	25.60	20.19	41.60	46.77
6-2 x 8-0	20.97	43.16	32.60	67.09	92.64	28.52	27.64	26.92	20.97	43.16	48.37
2-1 x 8-2	12.99	---	19.77	---	94.64	7.03	6.82	6.65	12.99	---	16.30
2-7 x 8-2	16.93	---	25.77	---	94.64	10.47	10.15	9.89	16.93	---	20.32
2-9 x 8-2	18.25	---	27.77	---	94.64	11.61	11.26	10.98	18.25	---	21.66
3-1 x 8-2	20.88	---	31.77	---	94.64	13.90	13.48	13.14	20.88	---	24.34
3-2 x 8-2	21.70	---	33.02	---	94.64	14.62	14.17	13.82	21.70	---	25.18
4-0 x 8-2	12.74	26.72	19.38	40.66	94.64	14.06	13.64	13.30	12.74	26.72	31.67
5-0 x 8-2	16.68	34.61	25.38	52.66	94.64	20.94	20.30	19.78	16.68	34.61	39.72
5-4 x 8-2	17.99	37.24	27.38	56.66	94.64	23.22	22.52	21.96	17.99	37.24	42.40
6-0 x 8-2	20.62	42.49	31.38	64.66	94.64	27.80	26.96	26.28	20.62	42.49	47.76
6-2 x 8-2	21.42	44.10	32.60	67.09	94.64	29.24	28.34	27.64	21.42	44.10	49.40

<sup>a</sup> All calculations assume operating panel is open 90 degrees.  
<sup>b</sup> Sq. Ft. Overall Unit Area is calculated on the jamb dimension.

# SIGNATURE SERIES

## CENTER HINGED PATIO DOORS (8510)

### Opening Specifications

Unit Code	Sq. Ft. Clear Opening				Clear Opening <sup>a</sup>			Sq. Ft. Daylight Opening			Sq. Ft. Vent		Sq. Ft. Overall Unit Area <sup>b</sup>
	Hinge Code R/S S/L R/S/S S/S/L		Hinge Code S/R/S S/L/S		Width		Height <sup>c</sup>	7-1/2" Bottom Rail	10" Bottom Rail	12" Bottom Rail	Hinge Code R/S S/R R/S/S S/S/L	Hinge Code S/R/S S/L/S	
5-0 x 6-8	13.56	---	25.63	---	76.18	16.24	15.60	15.10	13.56	---	32.72		
6-0 x 6-8	16.73	---	31.63	---	76.18	21.56	20.72	20.04	16.73	---	39.35		
6-2 x 6-8	17.38	---	32.85	---	76.18	22.68	21.78	21.08	17.38	---	40.70		
7-5 x 6-8	13.56	13.64	25.63	25.79	76.18	24.36	23.40	22.65	13.56	13.64	48.71		
7-11 x 6-8	14.62	14.70	27.63	27.79	76.18	27.00	25.95	25.11	14.62	14.70	52.02		
8-11 x 6-8	16.73	16.82	31.63	31.79	76.18	32.34	31.08	30.06	16.73	16.82	58.65		
5-0 x 6-10	14.00	---	25.63	---	78.68	16.86	16.24	15.72	14.00	---	33.75		
6-0 x 6-10	17.28	---	31.63	---	78.68	22.40	21.56	20.88	17.28	---	40.59		
6-2 x 6-10	17.95	---	32.85	---	78.68	23.56	22.68	21.96	17.95	---	41.98		
7-5 x 6-10	14.00	14.09	25.63	25.79	78.68	25.29	24.36	23.58	14.00	14.09	50.24		
7-11 x 6-10	15.10	15.18	27.63	27.79	78.68	28.08	27.00	26.16	15.10	15.18	53.65		
8-11 x 6-10	17.28	17.37	31.63	31.79	78.68	33.60	32.34	31.32	17.28	17.37	60.49		
5-0 x 7-2	14.72	---	25.63	---	82.68	17.88	17.24	16.74	14.72	---	35.40		
6-0 x 7-2	18.16	---	31.63	---	82.68	23.76	22.92	22.24	18.16	---	42.57		
6-2 x 7-2	18.86	---	32.85	---	82.68	24.98	24.10	23.38	18.86	---	44.02		
7-5 x 7-2	14.72	14.81	25.63	25.79	82.68	26.82	25.86	25.11	14.72	14.81	52.69		
7-11 x 7-2	15.86	15.96	27.63	27.79	82.68	29.76	28.71	27.87	15.86	15.96	56.27		
8-11 x 7-2	18.16	18.25	31.63	31.79	82.68	35.64	34.38	33.36	18.16	18.25	63.44		
5-0 x 8-0	16.50	---	25.63	---	92.68	20.42	19.78	19.28	16.50	---	39.51		
6-0 x 8-0	20.36	---	31.63	---	92.68	27.12	26.28	25.60	20.36	---	47.52		
6-2 x 8-0	21.14	---	32.85	---	92.68	28.52	27.64	26.92	21.14	---	49.14		
7-5 x 8-0	16.50	16.60	25.63	25.79	92.68	30.63	29.67	28.92	16.50	16.60	58.81		
7-11 x 8-0	17.78	17.89	27.63	27.79	92.68	33.99	32.94	32.10	17.78	17.89	62.81		
8-11 x 8-0	20.36	20.46	31.63	31.79	92.68	40.68	39.42	38.40	20.36	20.46	70.81		
5-0 x 8-2	16.85	---	25.63	---	94.68	20.94	20.30	19.78	16.85	---	40.34		
6-0 x 8-2	20.80	---	31.63	---	94.68	27.80	26.96	26.28	20.80	---	48.51		
6-2 x 8-2	21.60	---	32.85	---	94.68	29.24	28.34	27.64	21.60	---	50.16		
7-5 x 8-2	16.85	16.96	25.63	25.79	94.68	31.41	30.45	29.67	16.85	16.96	60.04		
7-11 x 8-2	18.17	18.27	27.63	27.79	94.68	34.83	33.78	32.94	18.17	18.27	64.12		
8-11 x 8-2	20.80	20.90	31.63	31.79	94.68	41.70	40.44	39.42	20.80	20.90	72.29		

<sup>a</sup> All calculations assume operating panel is open 90 degrees.

<sup>b</sup> Sq. Ft. Overall Unit Area is calculated on the jamb dimension.

<sup>c</sup> Clear Opening Height dimensions calculated without screen.

# SIGNATURE SERIES

## OUTSWING HINGED PATIO DOORS

### STANDARD SILL (8610)

#### Opening Specifications

Ordering Size	Sq. Ft. Clear Opening		Clear Opening <sup>a</sup>			Sq. Ft. Daylight Opening			Sq. Ft. Vent		Sq. Ft. Overall Unit Area <sup>b</sup>
	1 Oper. Panel	2 Oper. Panels	Width		Height	7-1/2" Bottom Rail	10" Bottom Rail	12" Bottom Rail	1 Oper. Panel	2 Oper. Panels	
			1 Oper. Panel	2 Oper. Panels							
2-1 x 6-8	10.36	---	19.77	---	75.48	5.45	5.24	5.07	10.36	---	13.43
2-7 x 6-8	13.51	---	25.77	---	75.48	8.12	7.80	7.55	13.51	---	16.74
2-9 x 6-8	14.55	---	27.77	---	75.48	9.00	8.65	8.37	14.55	---	17.85
3-1 x 6-8	16.65	---	31.77	---	75.48	10.78	10.36	10.02	16.65	---	20.06
3-2 x 6-8	17.31	---	33.02	---	75.48	11.34	10.89	10.54	17.31	---	20.75
4-0 x 6-8	10.19	20.89	19.44	39.85	75.48	10.90	10.48	10.14	10.19	20.89	26.10
5-0 x 6-8	13.34	27.18	25.44	51.85	75.48	16.24	15.60	15.10	13.34	27.18	32.72
5-4 x 6-8	14.38	29.28	27.44	55.85	75.48	18.00	17.30	16.74	14.38	29.28	34.93
6-0 x 6-8	16.48	33.47	31.44	63.85	75.48	21.56	20.72	20.04	16.48	33.47	39.35
6-2 x 6-8	17.12	34.75	32.66	66.29	75.48	22.68	21.78	21.08	17.12	34.75	40.70
2-1 x 6-10	10.70	---	19.77	---	77.98	5.67	5.45	5.28	10.70	---	13.85
2-7 x 6-10	13.95	---	25.77	---	77.98	8.43	8.12	7.86	13.95	---	17.27
2-9 x 6-10	15.04	---	27.77	---	77.98	9.36	9.00	8.72	15.04	---	18.41
3-1 x 6-10	17.20	---	31.77	---	77.98	11.20	10.78	10.44	17.20	---	20.69
3-2 x 6-10	17.88	---	33.02	---	77.98	11.78	11.34	10.98	17.88	---	21.40
4-0 x 6-10	10.53	21.58	19.44	39.85	77.98	11.34	10.90	10.56	10.53	21.58	26.92
5-0 x 6-10	13.78	28.08	25.44	51.85	77.98	16.86	16.24	15.72	13.78	28.08	33.75
5-4 x 6-10	14.86	30.24	27.44	55.85	77.98	18.72	18.00	17.44	14.86	30.24	36.03
6-0 x 6-10	17.03	34.58	31.44	63.85	77.98	22.40	21.56	20.88	17.03	34.58	40.59
6-2 x 6-10	17.69	35.90	32.66	66.29	77.98	23.56	22.68	21.96	17.69	35.90	41.98
2-1 x 7-2	11.25	---	19.77	---	81.98	6.01	5.79	5.62	11.25	---	14.53
2-7 x 7-2	14.67	---	25.77	---	81.98	8.94	8.62	8.37	14.67	---	18.11
2-9 x 7-2	15.81	---	27.77	---	81.98	9.92	9.57	9.29	15.81	---	19.30
3-1 x 7-2	18.08	---	31.77	---	81.98	11.88	11.46	11.12	18.08	---	21.69
3-2 x 7-2	18.80	---	33.02	---	81.98	12.49	12.05	11.69	18.80	---	22.44
4-0 x 7-2	11.07	22.69	19.44	39.85	81.98	12.02	11.58	11.24	11.07	22.69	28.23
5-0 x 7-2	14.48	29.52	25.44	51.85	81.98	17.88	17.24	16.74	14.48	29.52	35.40
5-4 x 7-2	15.62	31.80	27.44	55.85	81.98	19.84	19.14	18.58	15.62	31.80	37.79
6-0 x 7-2	17.90	36.35	31.44	63.85	81.98	23.76	22.92	22.24	17.90	36.35	42.57
6-2 x 7-2	18.59	37.74	32.66	66.29	81.98	24.98	24.10	23.38	18.59	37.74	44.02
2-1 x 8-0	12.63	---	19.77	---	91.98	6.86	6.65	6.48	12.63	---	16.21
2-7 x 8-0	16.46	---	25.77	---	91.98	10.21	9.89	9.64	16.46	---	20.21
2-9 x 8-0	17.74	---	27.77	---	91.98	11.33	10.98	10.70	17.74	---	21.55
3-1 x 8-0	20.29	---	31.77	---	91.98	13.56	13.14	12.80	20.29	---	24.22
3-2 x 8-0	21.09	---	33.02	---	91.98	14.26	13.82	13.46	21.09	---	25.05
4-0 x 8-0	12.42	25.45	19.44	39.85	91.98	13.72	13.30	12.96	12.42	25.45	31.51
5-0 x 8-0	16.25	33.12	25.44	51.85	91.98	20.42	19.78	19.28	16.25	33.12	39.51
5-4 x 8-0	17.53	35.67	27.44	55.85	91.98	22.66	21.96	21.40	17.53	35.67	42.18
6-0 x 8-0	20.08	40.78	31.44	63.85	91.98	27.12	26.28	25.60	20.08	40.78	47.52
6-2 x 8-0	20.86	42.34	32.66	66.29	91.98	28.52	27.64	26.92	20.86	42.34	49.14
2-1 x 8-2	12.90	---	19.77	---	93.98	7.03	6.82	6.65	12.90	---	16.55
2-7 x 8-2	16.82	---	25.77	---	93.98	10.47	10.15	9.89	16.82	---	20.64
2-9 x 8-2	18.12	---	27.77	---	93.98	11.61	11.26	10.98	18.12	---	22.00
3-1 x 8-2	20.73	---	31.77	---	93.98	13.90	13.48	13.14	20.73	---	24.72
3-2 x 8-2	21.55	---	33.02	---	93.98	14.62	14.17	13.82	21.55	---	25.57
4-0 x 8-2	12.69	26.01	19.44	39.85	93.98	14.06	13.64	13.30	12.69	26.01	32.17
5-0 x 8-2	16.60	33.84	25.44	51.85	93.98	20.94	20.30	19.78	16.60	33.84	40.34
5-4 x 8-2	17.91	36.45	27.44	55.85	93.98	23.22	22.52	21.96	17.91	36.45	43.06
6-0 x 8-2	20.52	41.67	31.44	63.85	93.98	27.80	26.96	26.28	20.52	41.67	48.51
6-2 x 8-2	21.31	43.26	32.66	66.29	93.98	29.24	28.34	27.64	21.31	43.26	50.16

<sup>a</sup> All calculations assume operating panel is open 90 degrees.

<sup>b</sup> Sq. Ft. Overall Unit Area is calculated on the jamb dimension.

# SIGNATURE SERIES

## OUTSWING HINGED PATIO DOORS LOW PROFILE SILL (8610)

### Opening Specifications

HINGED PATIO DOORS

Ordering Size	Sq. Ft. Clear Opening		Clear Opening <sup>a</sup>				Sq. Ft. Daylight Opening			Sq. Ft. Vent		Sq. Ft. Overall Unit Area <sup>b</sup>
	1 Oper. Panel	2 Oper. Panels	Width		Height	7-1/2" Bottom Rail	10" Bottom Rail	12" Bottom Rail	1 Oper. Panel	2 Oper. Panels		
			1 Oper. Panel	2 Oper. Panels								
2-1 x 6-8	10.38	---	19.77	---	75.66	5.45	5.24	5.07	10.38	---	13.32	
2-7 x 6-8	13.54	---	25.77	---	75.66	8.12	7.80	7.55	13.54	---	16.61	
2-9 x 6-8	14.59	---	27.77	---	75.66	9.00	8.65	8.37	14.59	---	17.71	
3-1 x 6-8	16.69	---	31.77	---	75.66	10.78	10.36	10.02	16.69	---	19.90	
3-2 x 6-8	17.35	---	33.02	---	75.66	11.34	10.89	10.54	17.35	---	20.58	
4-0 x 6-8	10.21	20.94	19.44	39.85	75.66	10.90	10.48	10.14	10.21	20.94	25.89	
5-0 x 6-8	13.37	27.24	25.44	51.85	75.66	16.24	15.60	15.10	13.37	27.24	32.47	
5-4 x 6-8	14.42	29.34	27.44	55.85	75.66	18.00	17.30	16.74	14.42	29.34	34.66	
6-0 x 6-8	16.52	33.55	31.44	63.85	75.66	21.56	20.72	20.04	16.52	33.55	39.04	
6-2 x 6-8	17.16	34.83	32.66	66.29	75.66	22.68	21.78	21.08	17.16	34.83	40.38	
2-1 x 6-10	10.73	---	19.77	---	78.16	5.67	5.45	5.28	10.73	---	13.74	
2-7 x 6-10	13.98	---	25.77	---	78.16	8.43	8.12	7.86	13.98	---	17.14	
2-9 x 6-10	15.07	---	27.77	---	78.16	9.36	9.00	8.72	15.07	---	18.27	
3-1 x 6-10	17.24	---	31.77	---	78.16	11.20	10.78	10.44	17.24	---	20.53	
3-2 x 6-10	17.92	---	33.02	---	78.16	11.78	11.34	10.98	17.92	---	21.23	
4-0 x 6-10	10.55	21.63	19.44	39.85	78.16	11.34	10.90	10.56	10.55	21.63	26.71	
5-0 x 6-10	13.81	28.14	25.44	51.85	78.16	16.86	16.24	15.72	13.81	28.14	33.50	
5-4 x 6-10	14.89	30.31	27.44	55.85	78.16	18.72	18.00	17.44	14.89	30.31	35.76	
6-0 x 6-10	17.06	34.66	31.44	63.85	78.16	22.40	21.56	20.88	17.06	34.66	40.28	
6-2 x 6-10	17.73	35.98	32.66	66.29	78.16	23.56	22.68	21.96	17.73	35.98	41.66	
2-1 x 7-2	11.28	---	19.77	---	82.16	6.01	5.79	5.62	11.28	---	14.42	
2-7 x 7-2	14.70	---	25.77	---	82.16	8.94	8.62	8.37	14.70	---	17.98	
2-9 x 7-2	15.84	---	27.77	---	82.16	9.92	9.57	9.29	15.84	---	19.16	
3-1 x 7-2	18.12	---	31.77	---	82.16	11.88	11.46	11.12	18.12	---	21.54	
3-2 x 7-2	18.84	---	33.02	---	82.16	12.49	12.05	11.69	18.84	---	22.28	
4-0 x 7-2	11.09	22.74	19.44	39.85	82.16	12.02	11.58	11.24	11.09	22.74	28.02	
5-0 x 7-2	14.51	29.58	25.44	51.85	82.16	17.88	17.24	16.74	14.51	29.58	35.14	
5-4 x 7-2	15.66	31.86	27.44	55.85	82.16	19.84	19.14	18.58	15.66	31.86	37.51	
6-0 x 7-2	17.94	36.43	31.44	63.85	82.16	23.76	22.92	22.24	17.94	36.43	42.26	
6-2 x 7-2	18.63	37.82	32.66	66.29	82.16	24.98	24.10	23.38	18.63	37.82	43.70	
2-1 x 8-0	12.65	---	19.77	---	92.16	6.86	6.65	6.48	12.65	---	16.11	
2-7 x 8-0	16.49	---	25.77	---	92.16	10.21	9.89	9.64	16.49	---	20.08	
2-9 x 8-0	17.77	---	27.77	---	92.16	11.33	10.98	10.70	17.77	---	21.41	
3-1 x 8-0	20.33	---	31.77	---	92.16	13.56	13.14	12.80	20.33	---	24.06	
3-2 x 8-0	21.13	---	33.02	---	92.16	14.26	13.82	13.46	21.13	---	24.89	
4-0 x 8-0	12.44	25.50	19.44	39.85	92.16	13.72	13.30	12.96	12.44	25.50	31.31	
5-0 x 8-0	16.28	33.18	25.44	51.85	92.16	20.42	19.78	19.28	16.28	33.18	39.26	
5-4 x 8-0	17.56	35.74	27.44	55.85	92.16	22.66	21.96	21.40	17.56	35.74	41.91	
6-0 x 8-0	20.12	40.86	31.44	63.85	92.16	27.12	26.28	25.60	20.12	40.86	47.21	
6-2 x 8-0	20.90	42.42	32.66	66.29	92.16	28.52	27.64	26.92	20.90	42.42	48.82	
2-1 x 8-2	12.92	---	19.77	---	94.16	7.03	6.82	6.65	12.92	---	16.45	
2-7 x 8-2	16.85	---	25.77	---	94.16	10.47	10.15	9.89	16.85	---	20.50	
2-9 x 8-2	18.16	---	27.77	---	94.16	11.61	11.26	10.98	18.16	---	21.86	
3-1 x 8-2	20.77	---	31.77	---	94.16	13.90	13.48	13.14	20.77	---	24.56	
3-2 x 8-2	21.59	---	33.02	---	94.16	14.62	14.17	13.82	21.59	---	25.41	
4-0 x 8-2	12.71	26.06	19.44	39.85	94.16	14.06	13.64	13.30	12.71	26.06	31.96	
5-0 x 8-2	16.63	33.90	25.44	51.85	94.16	20.94	20.30	19.78	16.63	33.90	40.08	
5-4 x 8-2	17.94	36.52	27.44	55.85	94.16	23.22	22.52	21.96	17.94	36.52	42.78	
6-0 x 8-2	20.56	41.75	31.44	63.85	94.16	27.80	26.96	26.28	20.56	41.75	48.20	
6-2 x 8-2	21.35	43.34	32.66	66.29	94.16	29.24	28.34	27.64	21.35	43.34	49.84	

<sup>a</sup> All calculations assume operating panel is open 90 degrees.  
<sup>b</sup> Sq. Ft. Overall Unit Area is calculated on the jamb dimension.

# SIGNATURE SERIES OUTSWING HINGED PATIO DOORS ADA SILL (8610)

## Opening Specifications

Ordering Size	Sq. Ft. Clear Opening		Clear Opening <sup>A</sup>				Sq. Ft. Daylight Opening			Sq. Ft. Vent		Sq. Ft. Overall Unit Area <sup>B</sup>
	1 Oper. Panel	2 Oper. Panels	Width		Height	7-1/2" Bottom Rail	10" Bottom Rail	12" Bottom Rail	1 Oper. Panel	2 Oper. Panels		
			1 Oper. Panel	2 Oper. Panels								
2-1 x 6-8	10.47	---	19.77	---	76.28	5.45	5.24	5.07	10.47	---	13.17	
2-7 x 6-8	13.65	---	25.77	---	76.28	8.12	7.80	7.55	13.65	---	16.43	
2-9 x 6-8	14.71	---	27.77	---	76.28	9.00	8.65	8.37	14.71	---	17.51	
3-1 x 6-8	16.83	---	31.77	---	76.28	10.78	10.36	10.02	16.83	---	19.68	
3-2 x 6-8	17.49	---	33.02	---	76.28	11.34	10.89	10.54	17.49	---	20.35	
4-0 x 6-8	10.30	21.11	19.44	39.85	76.28	10.90	10.48	10.14	10.30	21.11	25.60	
5-0 x 6-8	13.48	27.47	25.44	51.85	76.28	16.24	15.60	15.10	13.48	27.47	32.11	
5-4 x 6-8	14.54	29.58	27.44	55.85	76.28	18.00	17.30	16.74	14.54	29.58	34.27	
6-0 x 6-8	16.65	33.82	31.44	63.85	76.28	21.56	20.72	20.04	16.65	33.82	38.61	
6-2 x 6-8	17.30	35.11	32.66	66.29	76.28	22.68	21.78	21.08	17.30	35.11	39.93	
2-1 x 6-10	10.81	---	19.77	---	78.78	5.67	5.45	5.28	10.81	---	13.60	
2-7 x 6-10	14.10	---	25.77	---	78.78	8.43	8.12	7.86	14.10	---	16.95	
2-9 x 6-10	15.19	---	27.77	---	78.78	9.36	9.00	8.72	15.19	---	18.07	
3-1 x 6-10	17.38	---	31.77	---	78.78	11.20	10.78	10.44	17.38	---	20.31	
3-2 x 6-10	18.06	---	33.02	---	78.78	11.78	11.34	10.98	18.06	---	21.01	
4-0 x 6-10	10.64	21.80	19.44	39.85	78.78	11.34	10.90	10.56	10.64	21.80	26.42	
5-0 x 6-10	13.92	28.37	25.44	51.85	78.78	16.86	16.24	15.72	13.92	28.37	33.14	
5-4 x 6-10	15.01	30.55	27.44	55.85	78.78	18.72	18.00	17.44	15.01	30.55	35.37	
6-0 x 6-10	17.20	34.93	31.44	63.85	78.78	22.40	21.56	20.88	17.20	34.93	39.85	
6-2 x 6-10	17.87	36.26	32.66	66.29	78.78	23.56	22.68	21.96	17.87	36.26	41.21	
2-1 x 7-2	11.36	---	19.77	---	82.78	6.01	5.79	5.62	11.36	---	14.27	
2-7 x 7-2	14.81	---	25.77	---	82.78	8.94	8.62	8.37	14.81	---	17.79	
2-9 x 7-2	15.96	---	27.77	---	82.78	9.92	9.57	9.29	15.96	---	18.97	
3-1 x 7-2	18.26	---	31.77	---	82.78	11.88	11.46	11.12	18.26	---	21.32	
3-2 x 7-2	18.98	---	33.02	---	82.78	12.49	12.05	11.69	18.98	---	22.05	
4-0 x 7-2	11.18	22.91	19.44	39.85	82.78	12.02	11.58	11.24	11.18	22.91	27.74	
5-0 x 7-2	14.62	29.81	25.44	51.85	82.78	17.88	17.24	16.74	14.62	29.81	34.78	
5-4 x 7-2	15.77	32.11	27.44	55.85	82.78	19.84	19.14	18.58	15.77	32.11	37.13	
6-0 x 7-2	18.07	36.70	31.44	63.85	82.78	23.76	22.92	22.24	18.07	36.70	41.83	
6-2 x 7-2	18.77	38.11	32.66	66.29	82.78	24.98	24.10	23.38	18.77	38.11	43.26	
2-1 x 8-0	12.73	---	19.77	---	92.78	6.86	6.65	6.48	12.73	---	15.96	
2-7 x 8-0	16.60	---	25.77	---	92.78	10.21	9.89	9.64	16.60	---	19.90	
2-9 x 8-0	17.89	---	27.77	---	92.78	11.33	10.98	10.70	17.89	---	21.21	
3-1 x 8-0	20.47	---	31.77	---	92.78	13.56	13.14	12.80	20.47	---	23.84	
3-2 x 8-0	21.27	---	33.02	---	92.78	14.26	13.82	13.46	21.27	---	24.66	
4-0 x 8-0	12.53	25.68	19.44	39.85	92.78	13.72	13.30	12.96	12.53	25.68	31.02	
5-0 x 8-0	16.39	33.41	25.44	51.85	92.78	20.42	19.78	19.28	16.39	33.41	38.90	
5-4 x 8-0	17.68	35.98	27.44	55.85	92.78	22.66	21.96	21.40	17.68	35.98	41.52	
6-0 x 8-0	20.26	41.14	31.44	63.85	92.78	27.12	26.28	25.60	20.26	41.14	46.77	
6-2 x 8-0	21.04	42.71	32.66	66.29	92.78	28.52	27.64	26.92	21.04	42.71	48.37	
2-1 x 8-2	13.01	---	19.77	---	94.78	7.03	6.82	6.65	13.01	---	16.30	
2-7 x 8-2	16.96	---	25.77	---	94.78	10.47	10.15	9.89	16.96	---	20.32	
2-9 x 8-2	18.28	---	27.77	---	94.78	11.61	11.26	10.98	18.28	---	21.66	
3-1 x 8-2	20.91	---	31.77	---	94.78	13.90	13.48	13.14	20.91	---	24.34	
3-2 x 8-2	21.73	---	33.02	---	94.78	14.62	14.17	13.82	21.73	---	25.18	
4-0 x 8-2	12.80	26.23	19.44	39.85	94.78	14.06	13.64	13.30	12.80	26.23	31.67	
5-0 x 8-2	16.74	34.13	25.44	51.85	94.78	20.94	20.30	19.78	16.74	34.13	39.72	
5-4 x 8-2	18.06	36.76	27.44	55.85	94.78	23.22	22.52	21.96	18.06	36.76	42.40	
6-0 x 8-2	20.69	42.03	31.44	63.85	94.78	27.80	26.96	26.28	20.69	42.03	47.76	
6-2 x 8-2	21.50	43.63	32.66	66.29	94.78	29.24	28.34	27.64	21.50	43.63	49.40	

<sup>A</sup> All calculations assume operating panel is open 90 degrees.

<sup>B</sup> Sq. Ft. Overall Unit Area is calculated on the jamb dimension.

# SIGNATURE SERIES

## IN SWING OR OUT SWING HINGED PATIO DOOR SIDELITES (8510/8610)

### Opening Specifications

Ordering Size	Sq. Ft. Daylight Opening			Sq. Ft. Overall Unit Area <sup>a</sup>		
	7-1/2" Bottom Rail	10" Bottom Rail	12" Bottom Rail	Standard Sill	ADA Sill	Low Profile Sill (Outswing Frame Only)
1-3 x 6-8	3.12	3.00	2.90	7.99	7.84	7.93
1-5 x 6-8	4.01	3.85	3.72	9.10	8.92	9.02
1-7 x 6-8	4.89	4.70	4.55	10.20	10.01	10.12
1-9 x 6-8	5.78	5.55	5.37	11.30	11.09	11.22
1-3 x 6-10	3.24	3.12	3.02	8.24	8.09	8.18
1-5 x 6-10	4.16	4.01	3.88	9.38	9.21	9.31
1-7 x 6-10	5.09	4.89	4.74	10.52	10.33	10.44
1-9 x 6-10	6.01	5.78	5.60	11.66	11.45	11.57
1-3 x 7-2	3.44	3.32	3.22	8.64	8.49	8.58
1-5 x 7-2	4.42	4.26	4.13	9.84	9.67	9.77
1-7 x 7-2	5.39	5.20	5.05	11.03	10.84	10.95
1-9 x 7-2	6.37	6.14	5.96	12.23	12.02	12.14
1-3 x 8-0	3.93	3.81	3.71	9.65	9.50	9.59
1-5 x 8-0	5.04	4.89	4.76	10.98	10.81	10.91
1-7 x 8-0	6.16	5.97	5.81	12.32	12.12	12.24
1-9 x 8-0	7.27	7.05	6.87	13.65	13.44	13.56
1-3 x 8-2	4.03	3.90	3.81	9.85	9.70	9.79
1-5 x 8-2	5.17	5.01	4.89	11.21	11.04	11.14
1-7 x 8-2	6.31	6.12	5.97	12.57	12.38	12.49
1-9 x 8-2	7.46	7.23	7.05	13.93	13.72	13.85

<sup>a</sup> Sq. Ft. Overall Unit Area is calculated on the jamb dimension.



# SIGNATURE SERIES

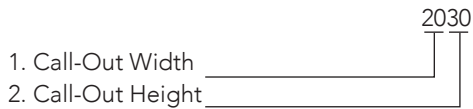
## SLIDING PATIO DOORS

### Sliding Patio Door Table of Contents

Sliding Patio Door Footnotes.....	69	French Sliding Patio Door Quick Spec Guide.....	79
Sliding Patio Door Quick Spec Guide .....	70	French Sliding Patio Door Elevations .....	80
Sliding Patio Door Elevations.....	71	French Sliding Patio Door Cross Sections.....	84
Sliding Patio Door Cross Sections .....	75	French Sliding Patio Door Opening Specifications .....	86
Sliding Patio Door Opening Specifications .....	78		

### Size Codes:

The Weather Shield size code uses meaningful characters to denote standard sizes. For example:



### Product Information:

- Units show rectangular grille/SDL divisions.
- 2-Panel Sliding doors available as XO or OX as viewed from the exterior.
- 3-Panel Sliding doors available as OXS, SXO, SOX, XOS as viewed from the exterior.
- 4-Panel Sliding doors are OXXO as viewed from the exterior.  
X = Active Panel, O = Inactive Panel, S = Stationary Panel

# SIGNATURE SERIES

## SLIDING PATIO DOORS (8714)

### Quick Spec Guide

SPECIFICATION	STANDARD FEATURES	OPTIONAL FEATURES
<b>EXTERIOR FINISH</b>	<ul style="list-style-type: none"> <li>White</li> <li>Cameo</li> <li>Tan</li> <li>Desert Tan</li> <li>Heritage Brown</li> <li>Adobe</li> </ul>	<ul style="list-style-type: none"> <li>Craftsman Bronze</li> <li>Brick Red</li> <li>Hartford Green</li> <li>Gray Matters</li> <li>Obsidian</li> <li>Jet Black</li> </ul>
<b>EXTERIOR TRIM</b>	<ul style="list-style-type: none"> <li>Integral Nail Fin</li> </ul>	<ul style="list-style-type: none"> <li>7/8" Brickmold</li> <li>1-11/16" Brickmold</li> <li>1-11/16" Flat Casing</li> <li>3-5/16" Flat Casing</li> <li>Historical Brickmould</li> </ul>
<b>INTERIOR FINISH</b>	<ul style="list-style-type: none"> <li>Natural</li> </ul>	<ul style="list-style-type: none"> <li>Clear Satin</li> <li>Fruitwood</li> <li>Rich Mahogany</li> <li>Primed</li> <li>Golden Oak</li> <li>Chestnut</li> <li>Prefinished White &amp; Black</li> <li>Poly – White &amp; Jet Black</li> </ul>
<b>INTERIOR SPECIES</b>	<ul style="list-style-type: none"> <li>Pine</li> </ul>	<ul style="list-style-type: none"> <li>Character Alder</li> <li>Mixed Grain Fir</li> </ul>
<b>SIZE</b>	<ul style="list-style-type: none"> <li>Width</li> <li>Single Panel Doors 2-9, 3-3, 4-3</li> <li>Two Panel Doors 5-0, 6-0, 6-10, 8-0</li> <li>Three Panel Doors 7-8, 9-2, 12-2</li> <li>Four Panel Doors 9-10, 11-10, 15-10</li> <li>Height</li> <li>Sliding Doors 6-8, 6-10, 7-2, 8-0, 8-2</li> </ul>	<ul style="list-style-type: none"> <li>Single Panel Doors: Any jamb width: 15-3/8" to 53-29/32"</li> <li>Two Panel Doors: Any jamb width: 43-13/16" to 101-1/4"</li> <li>Three Panel Doors: Any jamb width: 67-1/4" to 144-13/16"</li> <li>Four Panel Doors: Any jamb width: 85-3/4" to 189-1/4"</li> <li>Sliding Doors: Any jamb height: 60" to 98"</li> </ul>
<b>GLAZING</b>	<ul style="list-style-type: none"> <li>Low-E Insulating Glass</li> <li>Tempered Glass</li> </ul>	<ul style="list-style-type: none"> <li>Clear IG</li> <li>Low-E 240</li> <li>Zo-e-shield 5</li> <li>Zo-e-shield Extreme</li> <li>Zo-e Shield 6 (laminated)</li> <li>Grey or Bronze Tint</li> <li>Obscure</li> </ul>
<b>GRILLES</b>		<ul style="list-style-type: none"> <li>GBG: 5/8" Flat or 11/16" Sculptured</li> <li>SDL: 5/8", 7/8", 1-1/8", 2" (limited cut styles)</li> </ul>
<b>HARDWARE</b>	<ul style="list-style-type: none"> <li>Two point lock</li> <li>No Key lock</li> <li>Standard rollers</li> </ul>	<ul style="list-style-type: none"> <li>Keyed alike locks</li> <li>Keyed random locks</li> <li>Stainless Steel Mortise Lock / Keepers</li> <li>Stainless Steel rollers</li> <li>Foot activated Security Bolt</li> </ul>
<b>HARDWARE COLOR</b>	<ul style="list-style-type: none"> <li>Bright Brass PVD</li> <li>Antique Brass</li> <li>Black</li> </ul>	<ul style="list-style-type: none"> <li>Brushed Nickel PVD</li> <li>Oil Rubbed Bronze</li> <li>Chrome</li> <li>White</li> </ul>
<b>JAMB</b>	<ul style="list-style-type: none"> <li>4-9/16"</li> </ul>	<ul style="list-style-type: none"> <li>4-9/16 Min</li> <li>12" Max</li> </ul>
<b>SCREEN</b>	<ul style="list-style-type: none"> <li>Standard sliding screen</li> <li>No-See-Um Screen cloth</li> </ul>	<ul style="list-style-type: none"> <li>No screen</li> <li>Aluminum Screen cloth</li> </ul>
<b>SCREEN COLOR</b>	<ul style="list-style-type: none"> <li>Matches exterior color</li> </ul>	

SLIDING PATIO DOORS

# SIGNATURE SERIES SLIDING PATIO DOORS (8714)

## Elevations

Jamb Dimension	4'-11 9/16"	5'-11 9/16"	6'-9 9/16"	7'-11 9/16"	2'-8 1/4"	3'-2 1/4"	4'-2 1/4"
Rough Opening	5'-0 5/16"	6'-0 5/16"	6'-10 5/16"	8'-0 5/16"	2'-9"	3'-3"	4'-3"
Metric R.O. (mm)	1532	1837	2091	2446	838	991	1295
Class Size	24 7/8"	30 7/8"	35 7/8"	42 7/8"	24 7/8"	30 7/8"	42 7/8"
6'-7 1/2"							
6'-8"	5068	6068	61068	8068	2968	3368	4368
2032							
71 7/16"							
6'-10"	50610	60610	610610	80610	28610	33610	43610
6'-10 1/2"							
2096							
73 15/16"							
7'-2"	5072	6072	61072	8072	2872	3372	4372
7'-2 1/2"							
2197							
77 15/16"							
8'-0"	5080	6080	61080	8080	2880	3380	4380
8'-0 1/2"							
2451							
87 15/16"							
8'-2"	5082	6082	61082	8082	2882	3382	4382
8'-2 1/2"							
2502							
89 15/16"							

NOTE: Two panel units are also available in reverse operation (XO)

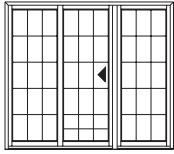
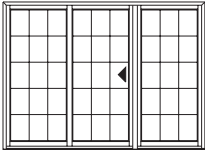
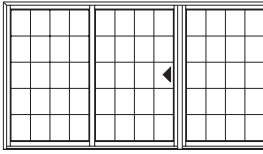
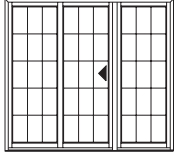
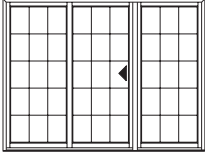
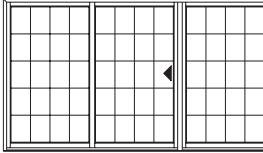
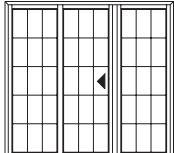
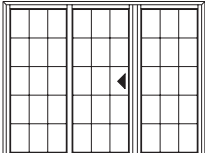
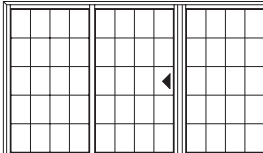
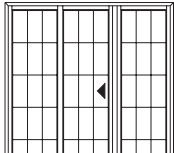
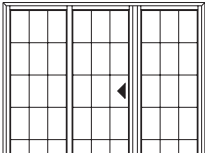
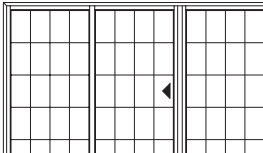
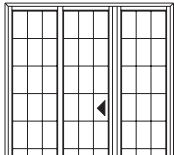
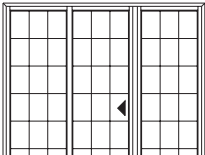
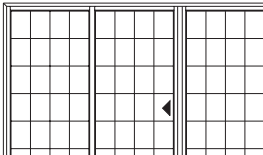
# SIGNATURE SERIES

## SLIDING PATIO DOORS (8714)

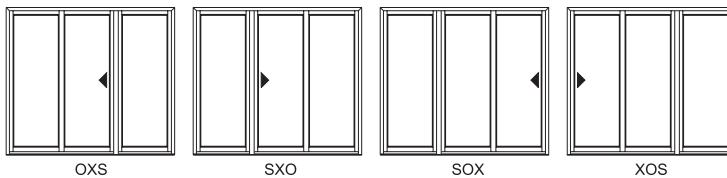
### Elevations

Jamb Dimension	7'-6 27/32"	9'-0 27/32"	12'-0 27/32"
Rough Opening	7'-7 19/32"	9'-1 19/32"	12'-1 19/32"
Metric R.O. (mm)	2327	2784	3698
Class Size	24 7/8"	30 7/8"	42 7/8"

6'-7 1/2"	6'-8"	2032	71 7/16"			
7868	9268	12268				
6'-10"	6'-10 1/2"	2096	73 15/16"			
78610	92610	122610				
7'-2"	7'-2 1/2"	2197	77 15/16"			
7872	9272	12272				
8'-0"	8'-0 1/2"	2451	87 15/16"			
7880	9280	12280				
8'-2"	8'-2 1/2"	2502	89 15/16"			
7882	9282	12282				

### Sliding Patio Door Operating Codes

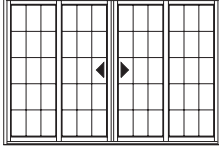
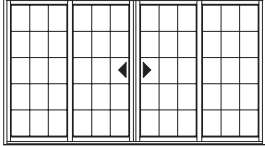
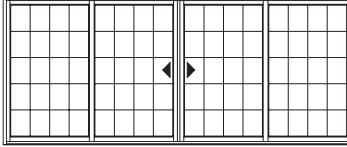
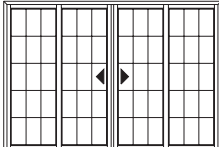
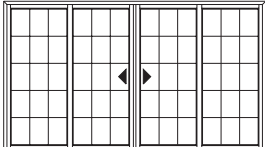
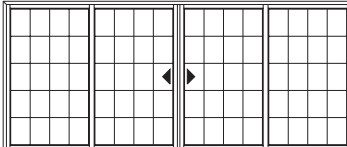
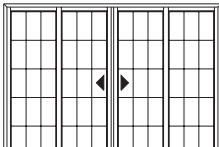
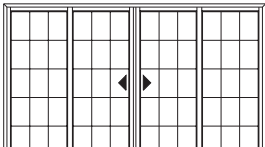
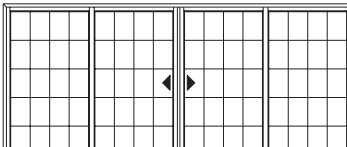
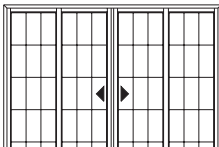
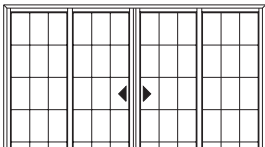
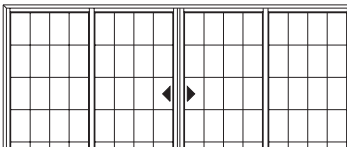
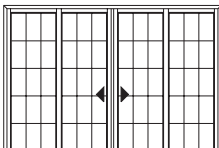
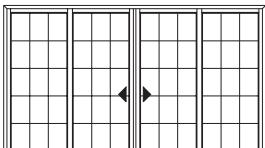
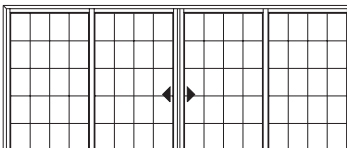


# SIGNATURE SERIES SLIDING PATIO DOORS (8714)

## Elevations

Jamb Dimension	9'-9 1/4"	11'-9 1/4"	15'-9 1/4"
Rough Opening	9'-10"	11'-10"	15'-10"
Metric R.O. (mm)	2997	3607	4826
Class Size	24 7/8"	30 7/8"	42 7/8"

6'-7 1/2"			
6'-8"	91068	111068	151068
6'-10"			
6'-10 1/2"	910610	1110610	1510610
7'-2"			
7'-2 1/2"	91072	111072	151072
8'-0"			
8'-0 1/2"	91080	111080	151080
8'-2"			
8'-2 1/2"	91082	111082	151082

NOTE: Both center panels operate. Left panel is the primary.

# SIGNATURE SERIES

## SLIDING PATIO DOOR TRANSOMS (8300)

### Elevations

Jamb Dimension	4'-11 9/16"	5'-11 9/16"	6'-9 9/16"	7'-11 9/16"	2'-8 1/4"	3'-2 1/4"	4'-2 1/4"
Rough Opening	5'-0 5/16"	6'-0 5/16"	6'-10 5/16"	8'-0 5/16"	2'-9"	3'-3"	4'-3"
Metric R.O. (mm)	1532	1837	2091	2446	838	991	1295
Class Size	57 1/16"	69 1/16"	79 1/16"	93 1/16"	29 3/4"	35 3/4"	47 3/4"

1-8"							
1-8 1/2"	5018	6018	61018	8018	2918	3318	4318
2-0"							
2-0 1/2"	5020	6020	61020	8020	2920	3320	4320
2-4"							
2-4 1/2"	5024	6024	61024	8024	2924	3324	4324

Jamb Dimension	7'-6 27/32"	9'-0 27/32"	9'-9 1/4"
Rough Opening	7'-7 19/32"	9'-1 19/32"	9'-10"
Metric R.O. (mm)	2327	2784	2997
Class Size	88 11/32"	106 11/32"	114 3/4"

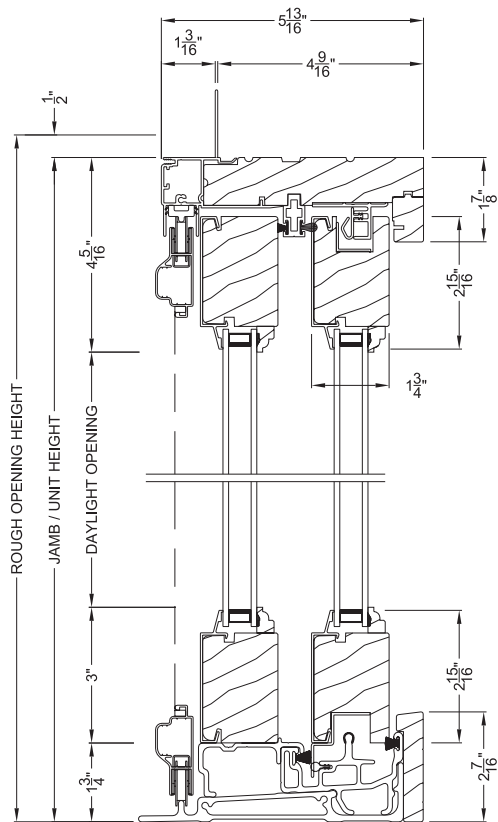
  

1-8"			
1-8 1/2"	7818	9218	91018
2-0"			
2-0 1/2"	7820	9220	91020
2-4"			
2-4 1/2"	7824	9224	91024

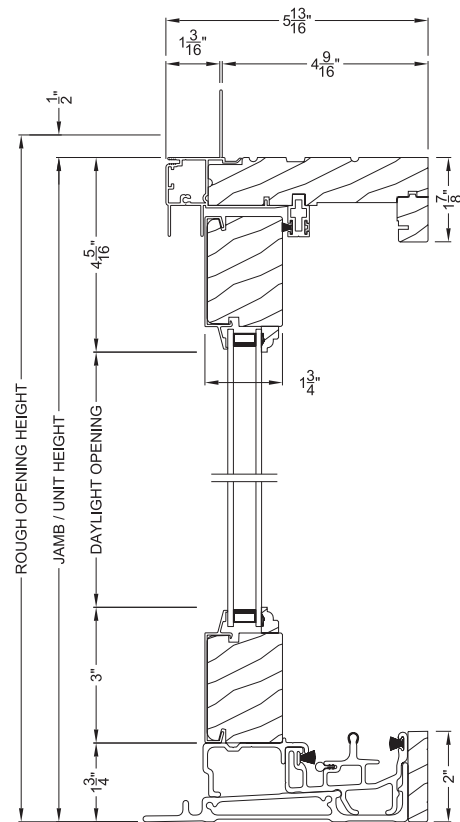
SLIDING PATIO DOORS

# SIGNATURE SERIES SLIDING PATIO DOORS (8714)

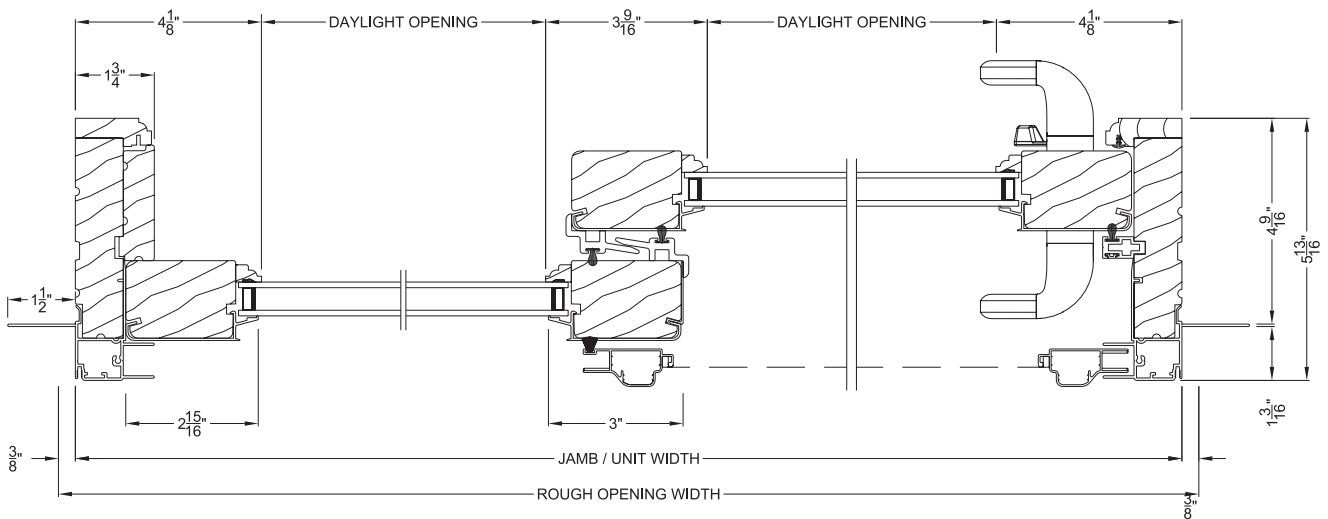
## Cross Sections



**SIGNATURE SLIDING PATIO DOOR (8714)**  
Vertical Section



**SIGNATURE SLIDING PATIO DOOR (8714)**  
Vertical Section - Fixed Sidelite with Low profile sill stop



**SIGNATURE SLIDING PATIO DOOR (8714)**  
Horizontal Section

Note: All dimensions are approximate. Weather Shield reserves the right to change specifications without notice.

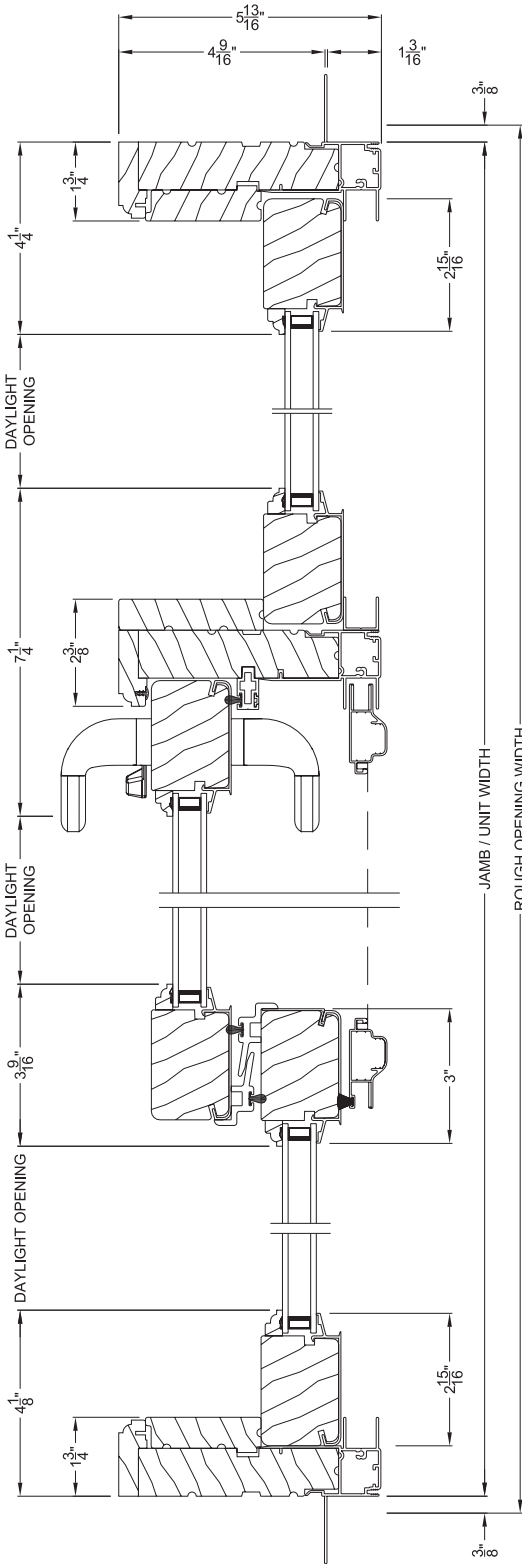


# SIGNATURE SERIES

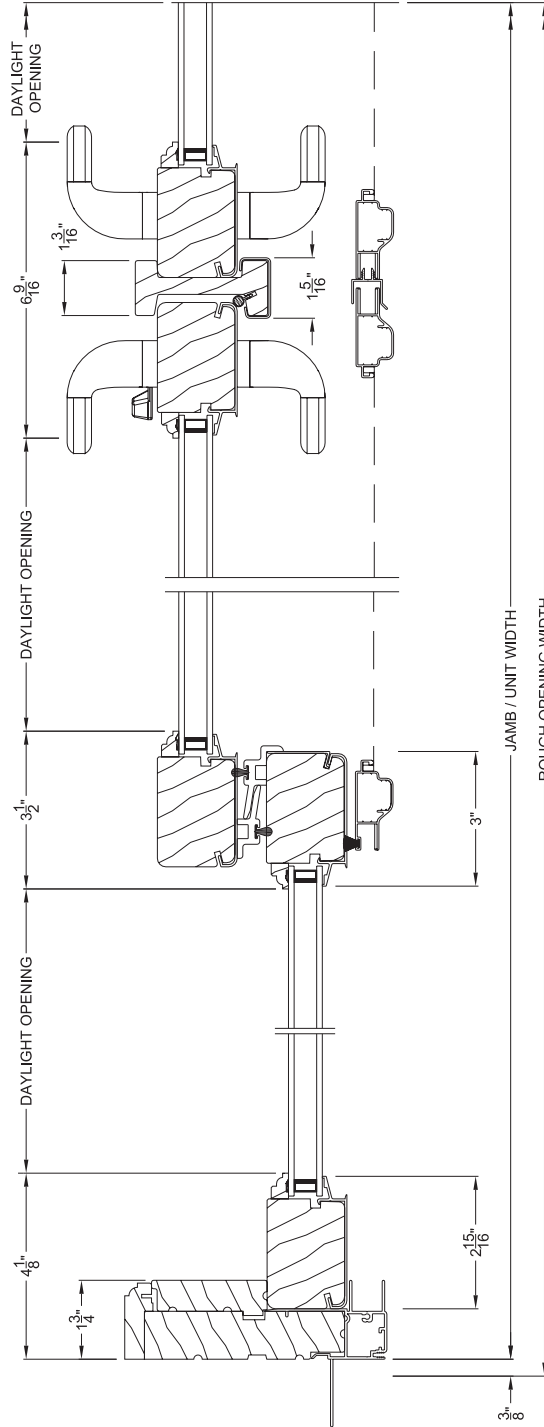
## SLIDING PATIO DOORS (8714)

### Cross Sections

SLIDING PATIO DOORS



**SIGNATURE SLIDING PATIO DOOR (8714)**  
Horizontal Section - 3 Panel Door

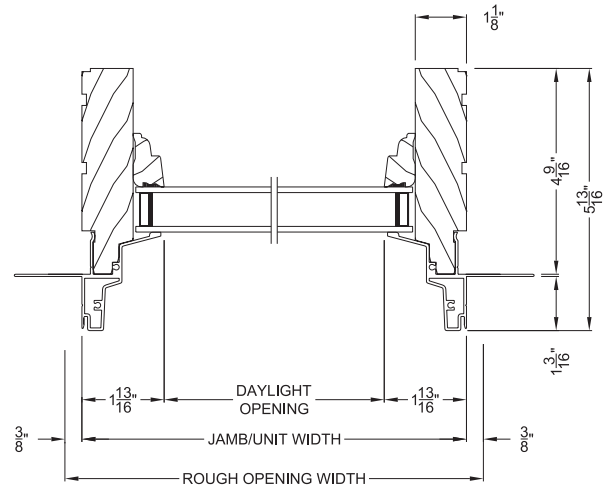
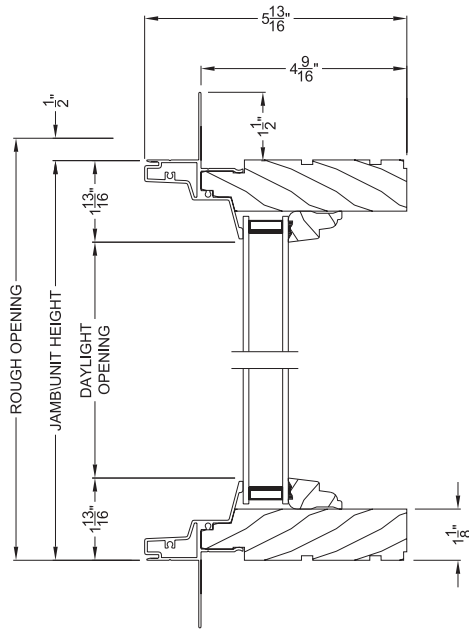


**SIGNATURE SLIDING PATIO DOOR (8714)**  
Horizontal Section - 4-Panel Door

Note: All dimensions are approximate. Weather Shield reserves the right to change specifications without notice.

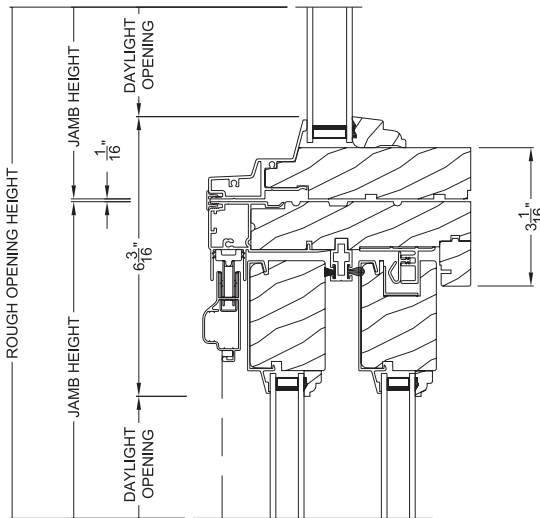
# SIGNATURE SERIES SLIDING PATIO DOOR TRANSOMS (8300)

## Cross Sections

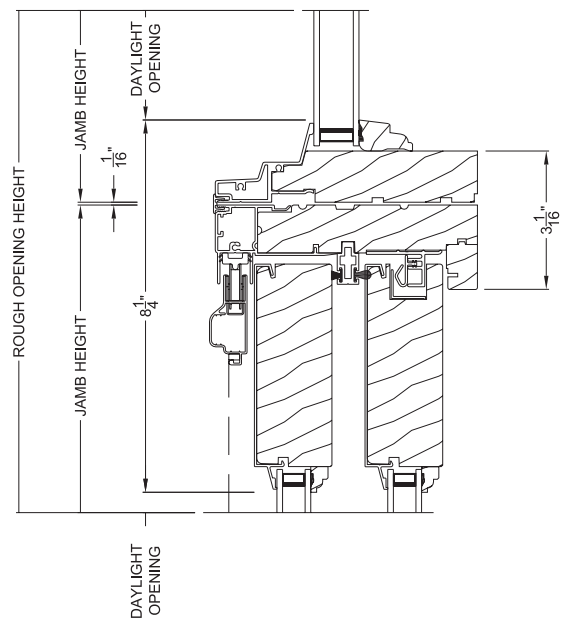


**SIGNATURE SLIDING DOOR TRANSOM (8300)**  
Horizontal Section

**SIGNATURE SLIDING DOOR TRANSOM (8300)**  
Vertical Section



**SIGNATURE SLIDING DOOR TRANSOM (8300)**  
Horizontal Stack Section - Transom stack over Sliding door



**SIGNATURE SLIDING DOOR TRANSOM (8300)**  
Horizontal Stack Section - Transom stack over French Sliding door

Note: All dimensions are approximate. Weather Shield reserves the right to change specifications without notice.

# SIGNATURE SERIES

## SLIDING PATIO DOORS (8714)

### Opening Specifications

	Unit Code	Sq. Ft. Clear Opening	Clear Opening		Sq. Ft. Daylight Opening	Sq. Ft. Vent	Sq. Ft. Overall Unit Area <sup>a</sup>
			Width	Height <sup>b</sup>			
2 Panel Doors	5-0 x 6-8	11.33	21.69	75.25	23.52	11.33	32.88
	6-0 x 6-8	14.47	27.69	75.25	29.40	14.47	39.51
	6-10 x 6-8	17.08	32.69	75.25	34.30	17.08	45.03
	8-0 x 6-8	20.74	39.69	75.25	41.16	20.74	52.76
	5-0 x 6-10	11.63	21.53	77.75	24.36	11.63	33.74
	6-0 x 6-10	14.86	27.53	77.75	30.44	14.86	40.57
	6-10 x 6-10	15.52	28.75	77.75	35.52	15.52	41.96
	8-0 x 6-10	21.43	39.69	77.75	42.62	21.43	54.42
	5-0 x 7-2	12.22	21.53	81.75	25.68	12.22	35.39
	6-0 x 7-2	15.63	27.53	81.75	32.10	15.63	42.55
	6-10 x 7-2	16.32	28.75	81.75	37.46	16.32	44.01
	8-0 x 7-2	22.53	39.69	81.75	44.96	22.53	57.07
	5-0 x 8-0	13.72	21.53	91.75	29.02	13.72	39.50
	6-0 x 8-0	17.54	27.53	91.75	36.28	17.54	47.50
	6-10 x 8-0	18.32	28.75	91.75	42.32	18.32	49.13
	8-0 x 8-0	25.29	39.69	91.75	50.78	25.29	63.71
	5-0 x 8-2	14.02	21.53	93.75	29.68	14.02	40.32
	6-0 x 8-2	17.92	27.53	93.75	37.10	17.92	48.49
6-10 x 8-2	18.72	28.75	93.75	43.30	18.72	50.15	
8-0 x 8-2	25.84	39.69	93.75	51.96	25.84	65.04	
3 Panel Doors	7-8 x 6-8	11.33	21.67	75.25	35.28	11.33	50.15
	9-2 x 6-8	14.46	27.67	75.25	44.10	14.46	60.09
	12-2 x 6-8	20.73	39.67	75.25	61.74	20.73	79.97
	7-8 x 6-10	11.70	21.67	77.75	36.54	11.70	51.73
	9-2 x 6-10	14.94	27.67	77.75	45.66	14.94	61.98
	12-2 x 6-10	21.42	39.67	77.75	63.93	21.42	82.48
	7-8 x 7-2	12.30	21.67	81.75	38.52	12.30	54.25
	9-2 x 7-2	15.71	27.67	81.75	48.15	15.71	65.00
	12-2 x 7-2	22.52	39.67	81.75	67.44	22.52	86.50
	7-8 x 8-0	13.81	21.67	91.75	43.53	13.81	60.56
	9-2 x 8-0	17.63	27.67	91.75	54.42	17.63	72.56
	12-2 x 8-0	25.28	39.67	91.75	76.17	25.28	96.56
	7-8 x 8-2	14.11	21.67	93.75	44.52	14.11	61.82
	9-2 x 8-2	18.02	27.67	93.75	55.65	18.02	74.07
12-2 x 8-2	25.83	39.67	93.75	77.94	25.83	98.57	
4 Panel Doors <sup>c</sup>	9-10 x 6-8	23.04	44.09	75.25	47.04	23.04	64.73
	11-10 x 6-8	29.31	56.09	75.25	58.80	29.31	77.98
	15-10 x 6-8	41.85	80.09	75.25	82.32	41.85	104.48
	9-10 x 6-10	23.80	44.09	77.75	48.72	23.80	66.77
	11-10 x 6-10	30.28	56.09	77.75	60.88	30.28	80.43
	15-10 x 6-10	43.24	80.09	77.75	85.24	43.24	107.77
	9-10 x 7-2	25.03	44.09	81.75	51.36	25.03	70.02
	11-10 x 7-2	31.84	56.09	81.75	64.20	31.84	84.36
	15-10 x 7-2	45.46	80.09	81.75	89.92	45.46	113.02
	9-10 x 8-0	28.09	44.09	91.75	58.04	28.09	78.17
	11-10 x 8-0	35.73	56.09	91.75	72.56	35.73	94.17
	15-10 x 8-0	51.03	80.09	91.75	101.56	51.03	126.17
	9-10 x 8-2	28.70	44.09	93.75	59.36	28.70	79.80
	11-10 x 8-2	36.51	56.09	93.75	74.20	36.51	96.13
15-10 x 8-2	52.14	80.09	93.75	103.92	52.14	128.80	

<sup>a</sup> Sq. Ft. Overall Unit Area is calculated on the jamb dimension.

<sup>b</sup> Clear Opening Height dimensions calculated without screen.

<sup>c</sup> 4 Panel door width is calculated with both center panels open

# SIGNATURE SERIES

## FRENCH SLIDING PATIO DOORS (8715)

### Quick Spec Guide

SPECIFICATION	STANDARD FEATURES	OPTIONAL FEATURES
<b>EXTERIOR FINISH</b>	<ul style="list-style-type: none"> <li>White</li> <li>Cameo</li> <li>Tan</li> <li>Desert Tan</li> <li>Heritage Brown</li> <li>Adobe</li> </ul>	<ul style="list-style-type: none"> <li>Craftsman Bronze</li> <li>Brick Red</li> <li>Hartford Green</li> <li>Gray Matters</li> <li>Obsidian</li> <li>Jet Black</li> </ul>
<b>EXTERIOR TRIM</b>	<ul style="list-style-type: none"> <li>Integral Nail Fin</li> </ul>	<ul style="list-style-type: none"> <li>7/8" Brickmold</li> <li>1-11/16" Brickmold</li> <li>1-11/16" Flat Casing</li> <li>3-5/16" Flat Casing</li> <li>Historical Brickmould</li> </ul>
<b>INTERIOR FINISH</b>	<ul style="list-style-type: none"> <li>Natural</li> </ul>	<ul style="list-style-type: none"> <li>Clear Satin</li> <li>Fruitwood</li> <li>Rich Mahogany</li> <li>Primed</li> <li>Golden Oak</li> <li>Chestnut</li> <li>Prefinished White &amp; Black</li> <li>Poly – White &amp; Jet Black</li> </ul>
<b>INTERIOR SPECIES</b>	<ul style="list-style-type: none"> <li>Pine</li> </ul>	<ul style="list-style-type: none"> <li>Character Alder</li> <li>Mixed Grain Fir</li> </ul>
<b>SIZE</b>	<ul style="list-style-type: none"> <li>Width</li> <li>Single Panel Doors 2-10, 3-4, 4-4</li> <li>Two Panel Doors 5-0, 6-0, 8-0</li> <li>Three Panel Doors 7-9, 9-3, 12-3</li> <li>Four Panel Doors 9-10, 11-10, 15-10</li> <li>Height</li> <li>French Sliding Doors 6-8, 6-10, 7-2, 8-0, 8-2</li> </ul>	<ul style="list-style-type: none"> <li>Single Panel Doors: Any jamb width: 20-1/8" to 98-17/32"</li> <li>Two Panel Doors: Any jamb width: 42" to 101"</li> <li>Three Panel Doors: Any jamb width: 63-3/8" to 145-11/16"</li> <li>Four Panel Doors: Any jamb width: 82-1/8" to 189-1/4"</li> <li>French Sliding Doors: Any jamb height: 60" to 108"</li> </ul>
<b>GLAZING</b>	<ul style="list-style-type: none"> <li>Low-E Insulating Glass</li> <li>Tempered Glass</li> </ul>	<ul style="list-style-type: none"> <li>Clear IG</li> <li>Low-E 240</li> <li>Zo-e-shield 5</li> <li>Zo-e-shield Extreme</li> <li>Zo-e Shield 6 (laminated)</li> <li>Grey or Bronze Tint</li> <li>Obscure</li> </ul>
<b>GRILLES</b>		<ul style="list-style-type: none"> <li>GBG: 5/8" Flat or 11/16" Sculptured</li> <li>SDL: 5/8", 7/8", 1-1/8", 2" (limited cut styles)</li> </ul>
<b>HARDWARE</b>	<ul style="list-style-type: none"> <li>Two point lock</li> <li>No Key lock</li> <li>Standard rollers</li> </ul>	<ul style="list-style-type: none"> <li>Keyed alike locks</li> <li>Keyed random locks</li> <li>Stainless Steel Mortise Lock / Keepers</li> <li>Stainless Steel rollers</li> <li>Foot activated Security Bolt</li> </ul>
<b>HARDWARE COLOR</b>	<ul style="list-style-type: none"> <li>Bright Brass PVD</li> <li>Antique Brass</li> <li>Black</li> </ul>	<ul style="list-style-type: none"> <li>Brushed Nickel PVD</li> <li>Oil Rubbed Bronze</li> <li>Chrome</li> <li>White</li> </ul>
<b>JAMB</b>	<ul style="list-style-type: none"> <li>4-9/16"</li> </ul>	<ul style="list-style-type: none"> <li>4-9/16 Min</li> <li>12" Max</li> </ul>
<b>SCREEN</b>	<ul style="list-style-type: none"> <li>Standard sliding screen</li> <li>No-See-Um Screen cloth</li> </ul>	<ul style="list-style-type: none"> <li>No screen</li> <li>Aluminum Screen cloth</li> </ul>
<b>SCREEN COLOR</b>	<ul style="list-style-type: none"> <li>Matches exterior color</li> </ul>	

# SIGNATURE SERIES

## FRENCH SLIDING PATIO DOORS (8715)

### Elevations

Jamb Dimension	4'-11 9/16"	5'-11 9/16"	7'-11 9/16"	2'-9 3/16"	3'-3 3/16"	4'-3 3/16"
Rough Opening	5'-0 5/16"	6'-0 5/16"	8'-0 5/16"	2'-9 15/16"	3'-3 15/16"	4'-3 15/16"
Metric R.O. (mm)	1532	1837	2446	862	1014	1319
Glass Size	21 1/16"	27 1/16"	39 1/16"	21 1/16"	27 1/16"	39 1/16"

SLIDING PATIO DOORS	6'-7 1/2"						
	6'-8"						
	2032						
	64 13/16"						
		5068	6068	8068	21068	3468	4468
6'-10"							
6'-10 1/2"							
2096							
67 5/16"							
	50610	60610	80610	210610	34610	44610	
7'-2"							
7'-2 1/2"							
2197							
71 5/16"							
	5072	6072	8072	21072	3472	4472	
8'-0"							
8'-0 1/2"							
2451							
81 5/16"							
	5080	6080	8080	21080	3480	4480	
8'-2"							
8'-2 1/2"							
2502							
83 5/16"							
	5082	6082	8082	21082	3482	4482	

NOTE: Two panel units are also available in reverse operation (XO)

# SIGNATURE SERIES

## FRENCH SLIDING PATIO DOORS (8715)

### Elevations

Jamb Dimension	7'-7 11/16"	9'-1 11/16"	12'-1 11/16"
Rough Opening	7'-8 7/16"	9'-2 7/16"	12'-2 7/16"
Metric R.O. (mm)	2348	2805	3720
Class Size	21 1/16"	27 1/16"	39 1/16"

6'-7 1/2"	6'-8"	2032	64 13/16"			
6'-10"	6'-10 1/2"	2096	67 5/16"			
7'-2"	7'-2 1/2"	2197	71 5/16"			
8'-0"	8'-0 1/2"	2451	81 5/16"			
8'-2"	8'-2 1/2"	2502	83 5/16"			

### Sliding Patio Door Operating Codes



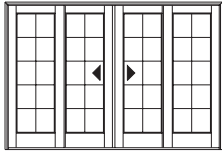
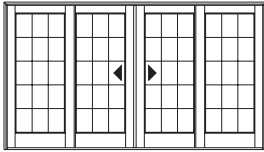
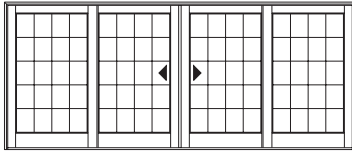
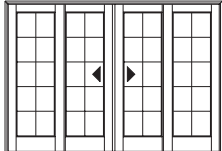
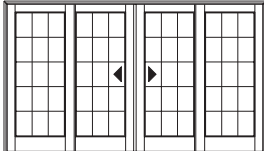
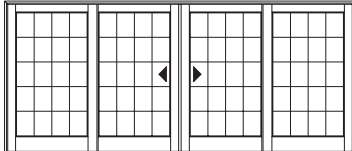
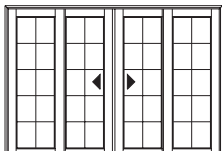
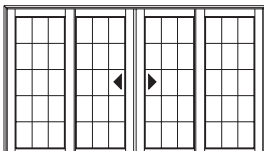
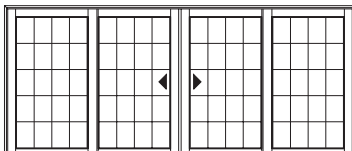
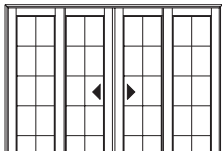
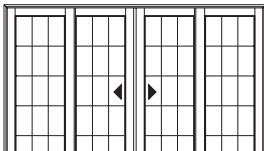
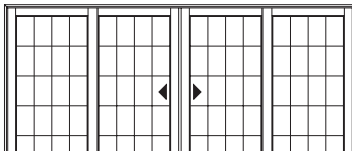
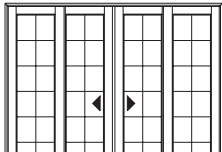
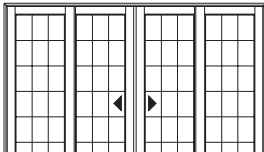
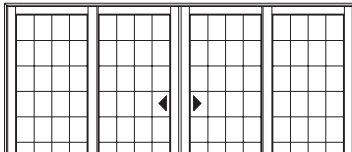
# SIGNATURE SERIES

## FRENCH SLIDING PATIO DOORS (8715)

### Elevations

Jamb Dimension	9'-9 1/4"	11'-9 1/4"	15'-9 1/4"
Rough Opening	9'-10"	11'-10"	15'-10"
Metric R.O. (mm)	2997	3607	4826
Class Size	21 1/16"	27 1/16"	42 7/8"

6'-7 1/2"	6'-8"	2032	64 13/16"	 91068	 111068	 151068
6'-10"	6'-10 1/2"	2096	67 5/16"	 910610	 1110610	 1510610
7'-2"	7'-2 1/2"	2197	71 5/16"	 91072	 111072	 151072
8'-0"	8'-0 1/2"	2451	81 5/16"	 91080	 111080	 151080
8'-2"	8'-2 1/2"	2502	83 5/16"	 91082	 111082	 151082

NOTE: Both center panels operate. Left panel is the primary.

SLIDING PATIO DOORS



# SIGNATURE SERIES

## FRENCH SLIDING PATIO DOOR TRANSOMS (8300)

### Elevations

Jamb Dimension	4'-11 9/16"	5'-11 9/16"	7'-11 9/16"	2'-9 3/16"	3'-3 3/16"	4'-3 3/16"
Rough Opening	5'-0 5/16"	6'-0 5/16"	8'-0 5/16"	2'-9 15/16"	3'-3 15/16"	4'-3 15/16"
Metric R.O. (mm)	1532	1837	2446	862	1014	1319
Class Size	57 1/16"	69 1/16"	93 1/16"	30 11/16"	36 11/16"	48 11/16"

1-8"						
1-8 1/2"	5018	6018	8018	21018	3418	4418
2-0"						
2-0 1/2"	5020	6020	8020	21020	3420	4420
2-4"						
2-4 1/2"	5024	6024	8024	21024	3424	4424
25 1/2"						

Jamb Dimension	7'-7 11/16"	9'-1 11/16"	9'-9 1/4"
Rough Opening	7'-8 7/16"	9'-2 7/16"	9'-10"
Metric R.O. (mm)	2327	2784	2997
Class Size	89 3/16"	107 3/16"	114 3/4"

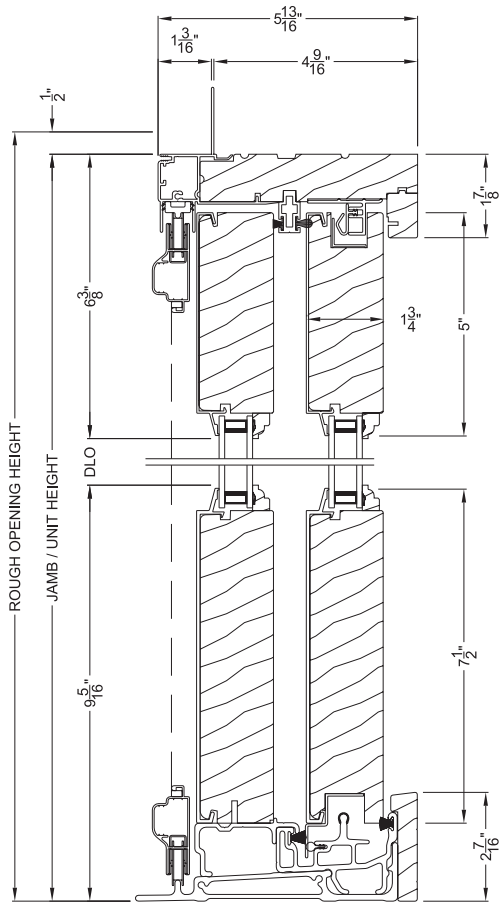
1-8"			
1-8 1/2"	7918	9318	91018
2-0"			
2-0 1/2"	7920	9320	91020
2-4"			
2-4 1/2"	7924	9324	91024
25 1/2"			

# SIGNATURE SERIES

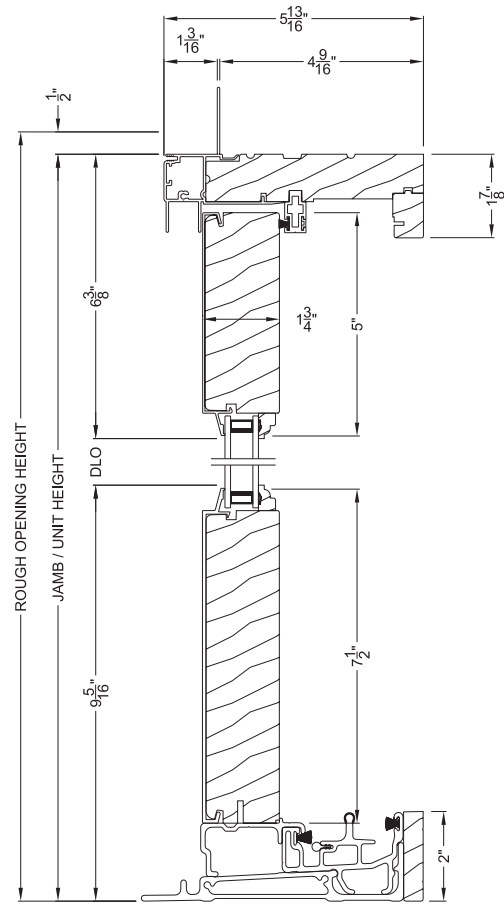
## FRENCH SLIDING PATIO DOORS (8715)

### Cross Sections

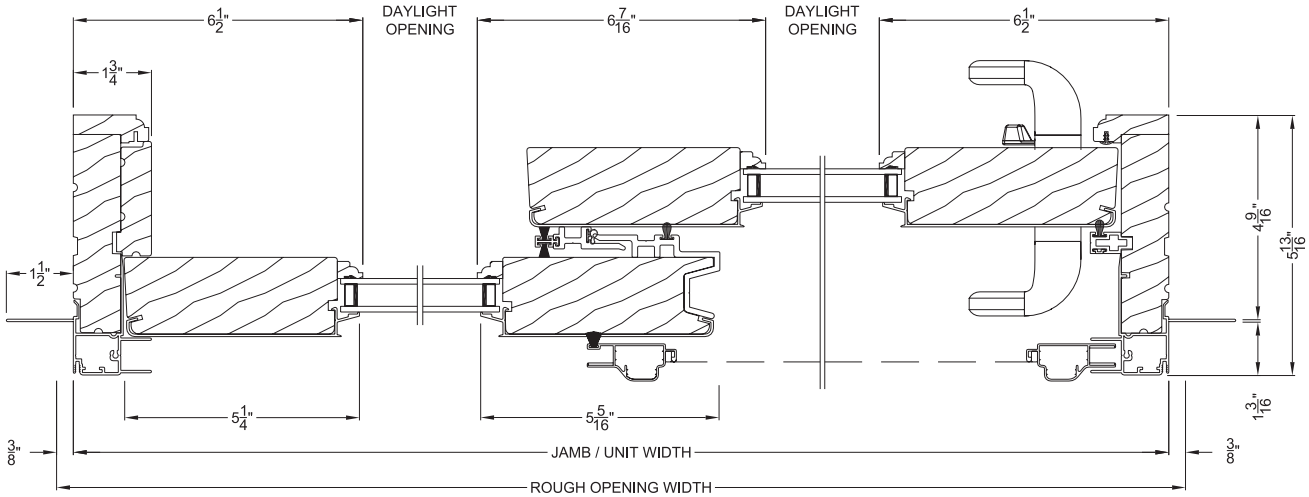
SLIDING PATIO DOORS



**SIGNATURE FRENCH SLIDING PATIO DOOR (8715)**  
Vertical Section



**SIGNATURE FRENCH SLIDING PATIO DOOR (8715)**  
Vertical Section - Fixed Sidelite with Low profile sill stop

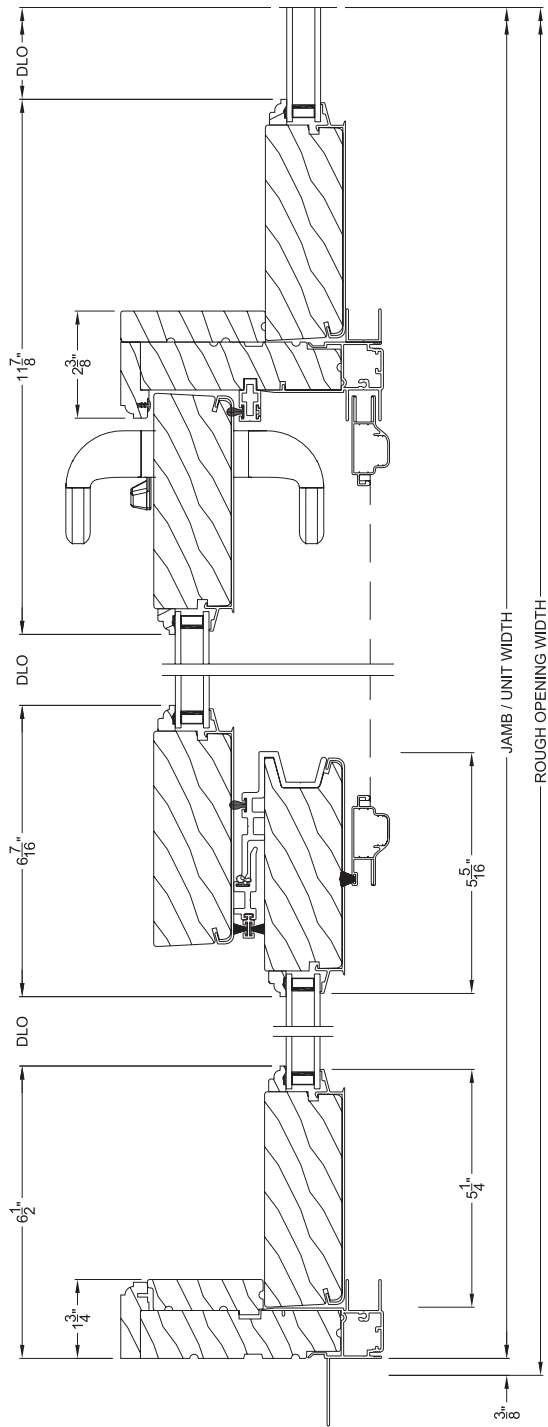


**SIGNATURE FRENCH SLIDING PATIO DOOR (8715)**  
Horizontal Section

Note: All dimensions are approximate. Weather Shield reserves the right to change specifications without notice.

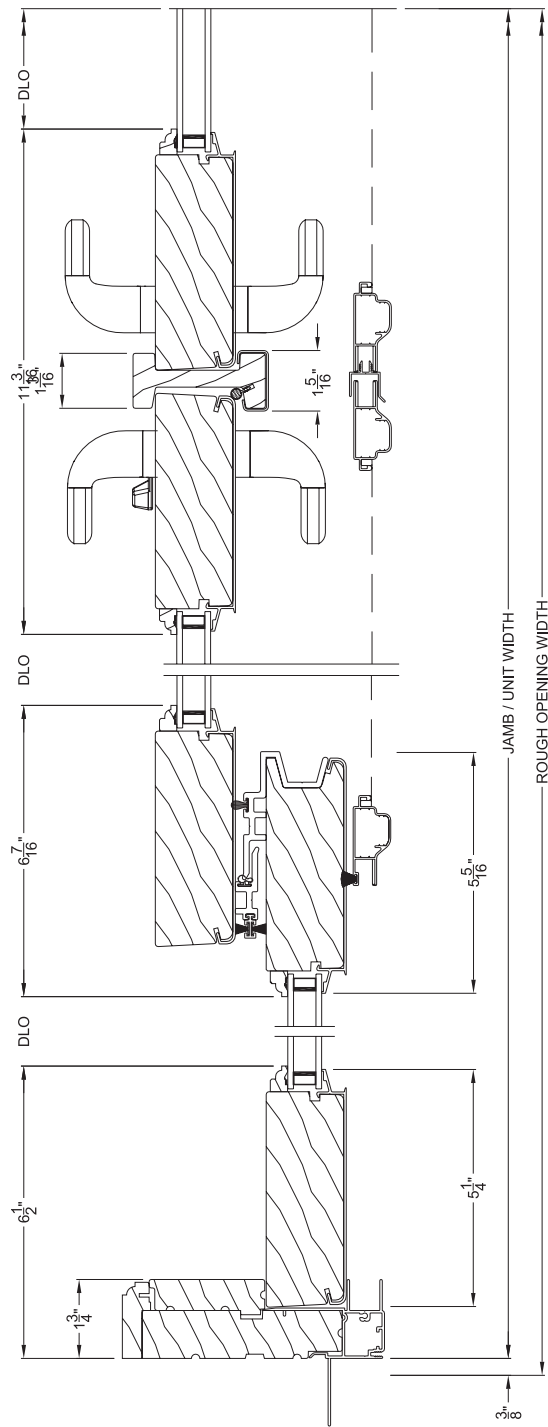
# SIGNATURE SERIES FRENCH SLIDING PATIO DOORS (8715)

## Cross Sections



**SIGNATURE FRENCH SLIDING PATIO DOOR (8715)**

Horizontal Section - 3 Panel Door



**SIGNATURE FRENCH SLIDING PATIO DOOR (8715)**

Horizontal Section - 4-Panel Door

Note: All dimensions are approximate. Weather Shield reserves the right to change specifications without notice.

# SIGNATURE SERIES

## FRENCH SLIDING PATIO DOORS (8715)

### Opening Specifications

	Unit Code	Sq. Ft. Clear Opening	Clear Opening		Sq. Ft. Daylight Opening	Sq. Ft. Vent	Sq. Ft. Overall Unit Area <sup>a</sup>
			Width	Height <sup>b</sup>			
2 Panel Doors	5-0 x 6-8	10.86	20.78	75.25	17.92	10.86	32.88
	6-0 x 6-8	13.99	26.78	75.25	23.26	13.99	39.51
	8-0 x 6-8	20.26	38.78	75.25	33.92	20.26	52.76
	5-0 x 6-10	11.13	20.62	77.75	18.62	11.13	33.74
	6-0 x 6-10	14.37	26.62	77.75	24.16	14.37	40.57
	8-0 x 6-10	20.94	38.78	77.75	35.24	20.94	54.42
	5-0 x 7-2	11.71	20.62	81.75	19.74	11.71	35.39
	6-0 x 7-2	15.11	26.62	81.75	25.62	15.11	42.55
	8-0 x 7-2	22.01	38.78	81.75	37.36	22.01	57.07
	5-0 x 8-0	13.14	20.62	91.75	22.56	13.14	39.50
	6-0 x 8-0	16.96	26.62	91.75	29.26	16.96	47.50
	8-0 x 8-0	24.71	38.78	91.75	42.66	24.71	63.71
	5-0 x 8-2	13.42	20.62	93.75	23.12	13.42	40.32
	6-0 x 8-2	17.33	26.62	93.75	29.98	17.33	48.49
	8-0 x 8-2	25.24	38.78	93.75	43.72	25.24	65.04
3 Panel Doors	7-9 x 6-8	10.85	20.77	75.25	26.88	10.85	50.62
	9-3 x 6-8	13.99	26.77	75.25	34.89	13.99	60.56
	12-3 x 6-8	20.26	38.77	75.25	50.88	20.26	80.43
	7-9 x 6-10	11.21	20.77	77.75	27.93	11.21	52.21
	9-3 x 6-10	14.45	26.77	77.75	36.24	14.45	62.46
	12-3 x 6-10	20.93	38.77	77.75	52.86	20.93	82.96
	7-9 x 7-2	11.79	20.77	81.75	29.61	11.79	54.76
	9-3 x 7-2	15.19	26.77	81.75	38.43	15.19	65.51
	12-3 x 7-2	22.01	38.77	81.75	56.04	22.01	87.01
	7-9 x 8-0	13.23	20.77	91.75	33.84	13.23	61.13
	9-3 x 8-0	17.05	26.77	91.75	43.89	17.05	73.13
	12-3 x 8-0	24.70	38.77	91.75	63.99	24.70	97.13
	7-9 x 8-2	13.52	20.77	93.75	34.68	13.52	62.40
	9-3 x 8-2	17.43	26.77	93.75	44.97	17.43	74.65
	12-3 x 8-2	25.24	38.77	93.75	65.58	25.24	99.15
4 Panel Doors <sup>c</sup>	9-10 x 6-8	22.09	42.28	75.25	35.84	22.09	64.73
	11-10 x 6-8	28.36	54.28	75.25	46.52	28.36	77.98
	15-10 x 6-8	40.91	78.28	75.25	67.84	40.91	104.48
	9-10 x 6-10	22.83	42.28	77.75	37.24	22.83	66.77
	11-10 x 6-10	29.31	54.28	77.75	48.32	29.31	80.43
	15-10 x 6-10	42.26	78.28	77.75	70.48	42.26	107.77
	9-10 x 7-2	24.00	42.28	81.75	39.48	24.00	70.02
	11-10 x 7-2	30.81	54.28	81.75	51.24	30.81	84.36
	15-10 x 7-2	44.44	78.28	81.75	74.72	44.44	113.02
	9-10 x 8-0	26.94	42.28	91.75	45.12	26.94	78.17
	11-10 x 8-0	34.58	54.28	91.75	58.52	34.58	94.17
	15-10 x 8-0	49.88	78.28	91.75	85.32	49.88	126.17
	9-10 x 8-2	27.52	42.28	93.75	46.24	27.52	79.80
	11-10 x 8-2	35.34	54.28	93.75	59.96	35.34	96.13
	15-10 x 8-2	50.96	78.28	93.75	87.44	50.96	128.80

<sup>a</sup> Sq. Ft. Overall Unit Area is calculated on the jamb dimension.

<sup>b</sup> Clear Opening Height dimensions calculated without screen.

<sup>c</sup> 4 Panel door width is calculated with both center panels open

# NOTES

---





**TECHNICAL  
SPECIFICATIONS**  
Signature Series

**WEATHER SHIELD.**  
**WINDOWS & DOORS**

800.222.2995  
weathershield.com