

WEATHER SHIELD®

WINDOWS & DOORS



THE CONTEMPORARY COLLECTION | TECHNICAL SPECIFICATIONS

WHY WEATHER SHIELD?



TABLE OF CONTENTS

WHY WEATHER SHIELD.....	02	CASEMENT WINDOWS	11	HINGED PATIO DOORS	97
TECHNICAL INFORMATION	04	AWNING WINDOWS.....	38	BI-FOLD PATIO DOORS	111
ARCHITECTURAL SERVICES	06	SPECIALTY SHAPES	44	SLIDING PATIO DOORS	122
CONTEMPORARY COLLECTION	08	BI-FOLD WINDOWS	53	MULTI-SLIDE DOORS	132
UNIT SIZE CONVERSIONS.....	10	MULTI-SLIDE WINDOWS.....	63		



5 reasons to consider Weather Shield

With hundreds of window and door manufacturers to choose from, it can be difficult to distinguish one company from another. We thought it might be helpful to share a few of the things that set Weather Shield apart from the rest.

1 Continuous Innovation

At Weather Shield, we never stop searching for ways to improve both our products and our processes. The goal of discovering new and innovative solutions has always been part of our DNA. That's why we have our own dedicated Research and Development Center and the largest onsite test lab in the industry. Not a day goes by when we aren't working on building a better product.

2 Best-In-Class Warranty

At Weather Shield, we do more than talk about our dedication to craftsmanship and quality materials. We back our products with a warranty against defects in material or workmanship for a period of 20 years, and against wood rot on all clad products for 30 years*. So you can be confident you're getting an outstanding product from a trustworthy company.

3 Design Flexibility

When you design with Weather Shield, you have options. Our casements alone allow you to create more than 6,000,000 different configurations.

Choose from an impressive array of wood interiors and finishes, along with a myriad of exterior colors. We also offer some of the industry's largest expanses of glass for framing spectacular views. Whatever the style, whatever the size, nobody gives you more choices than Weather Shield.

4 Energy Efficiency Without Sacrifice

Through our innovative use of materials and design, we're able to offer industrial strength efficiency with refined appearance. We're very deliberate in our use of energy efficient materials to drive performance where it matters most. We're proud to offer an extensive number of beautifully designed ENERGY STAR® rated products.

5 Family Owned and Operated

For more than 60 years, Weather Shield has remained a family-owned and operated company. That allows us the freedom to take a long-term perspective and keep our focus on serving customer needs rather than a singular focus of achieving quarterly financial targets.

As we've grown to become a respected national brand, we've seen technology and materials evolve. But our core values have never changed. Today, we remain dedicated to building long-term relationships and crafting innovative products that meet the needs of our customers

*For more specific information regarding our warranty, visit weathershield.com/warranties.

TECHNICAL INFORMATION



ARCHITECTURALLY INSPIRED. TECHNOLOGICALLY ADVANCED.

Weather Shield creates the highest quality windows and doors in the industry. We stand by our commitment to innovative and performance-driven products while delivering on our promises— so you can deliver on yours.

Many Distinct Lines, One Powerful Impact

Weather Shield offers several comprehensive product lines to fit whatever your clients needs may be. Our Contemporary Collection offers the perfect complement to modern design, with a sleek contemporary aesthetic and uncompromising quality. The Premium Series represents our deluxe line of aluminum clad wood windows and patio doors, while the Premium Coastal line is the perfect solution for high-end, high-quality products tailored to the specific needs of coastal regions. The Signature Series offers our most popular options at a mid-price point, also boasting aluminum clad wood windows and doors. Finally, the Aspire Series is a vinyl clad product line at an outstanding value.

A Reputation of Quality

Our highly innovative, top performing, and beautifully crafted windows and doors offer design flexibility with countless options to perfectly meet your clients' needs. Weather Shield is an industry leader in energy efficiency and an ENERGY STAR® partner — translating to long-term financial savings in your clients' homes. We pride ourselves on our knowledgeable inside sales staff and experienced field service and architectural support, so you'll always have backup.

The Information You Need, At Your Fingertips

Inside this catalog, you'll find:

- Standard product sizes and dimensions
- Visual comparisons between product sizes
- Product details and proportions between parts
- Opening information for egress requirements
- Vent and DLO information for HVAC calculations
- Unit size conversions for exterior trim

For additional information, please visit weathershield.com



ARCHITECTURAL SERVICES



ARCHITECTURAL SERVICES

Weather Shield's architectural team is here to help you solve your design challenges. Whether you're dealing with the requirements of an historic renovation, designing a one-of-a-kind configuration or facing stringent structural or thermal demands, we're ready, willing and able to help you get it right.

Weather Shield Products are Ideally Suited for Several Commercial Project Types

- Educational Facilities
- Office Buildings
- Retail Buildings
- Restaurants
- Hotels/Resorts
- Recreational Facilities
- Religious Facilities
- Municipal Buildings
- Government Facilities
- Assisted Living
- Senior Housing
- Adaptive Re-use
- Historic Projects
- Multi-Family

Build it Right. Stand Behind It.

We design and manufacture stunning windows and doors that perform to the highest standards. Energy efficiency at every stage makes thermal performance only the beginning. Weather Shield offers sustainable production, energy efficient designs and glass coatings, LEED assistance for architects and builders, as well as the availability of FSC® certified wood.



Pre-Project Architectural Consultation Services

- Specification writing
- Assistance with product selection
- Custom product design consultation
- Code Compliance assessment
- Test Reports
- LEED Assistancess
- Samples and submittals
- Complete project management

Architectural Tools

- Detailed 2D CAD Library
- 3D Revit Models/BIM Library
- Rapid prototyping/solid modeling
- AIA continuing education programs



Starting Your Next Project

To contact a specialist in our architectural consultation group, call **1-800-538-8836**.

Business hours are 8:00 am - 5:00 pm CST, Monday - Friday.

Or email archservices@weathershield.com.

For drawing and technical information and to find a dealer in your area visit weathershield.com.

CONTEMPORARY COLLECTION



OUR CONTEMPORARY COLLECTION

With a sleek, modern aesthetic, our Contemporary Collection brings flawless engineering and exquisite craftsmanship to any project. This unique collection is designed specifically to enhance custom, high-end homes with limitless innovation and the finest Weather Shield quality.



Contemporary Collection Overview

The Contemporary Collection includes both doors and windows, in which every detail is refined and every element meticulously crafted. Window options include casement, awning, 90° corner, and specialty shape. Door offerings include bi-fold doors, hinged patio doors, and sliding and multi-slide options.

A Curated Collection

The Contemporary Collection is streamlined to ensure you achieve the exact aesthetic you desire. Choose from a range of standard and designer exterior colors, plus radiant metallic finishes to create a powerful design impact. Interior options also abound, with a variety of rich wood and durable factory finishes at your disposal.

A Cut Above The Rest

In an elite industry, Weather Shield is set apart by our continuous dedication to innovation — especially evident in the ground breaking Contemporary Collection. The beauty and simplicity of these designs is backed by top-tier quality and our unmatched best-in-class warranty. We also offer unbeatable energy efficiency with industrial strength and zero compromise. Every handcrafted detail has been carefully considered to create a flawless final result, perfect for your unique modern design and uncompromising tastes.


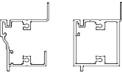

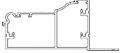
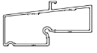

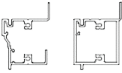
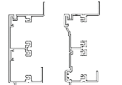
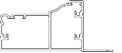
Contemporary Collection at a Glance

The Contemporary Collection is our line of elite solutions for custom modern homes, featuring:

- Supreme quality and construction
- A breath-taking array of exterior color options
- Rich wood finishes
- Custom hardware
- A wide array of sizes and styles

The Weather Shield Contemporary Collection

UNIT SIZE CONVERSIONS

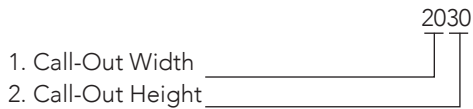
To Determine Outside of Casing Dimensions				
Contemporary Aluminum Clad Windows	Width	Height with Std Sill Nose	Height with 1" Bull nose	Height with 2" Bull nose
 7/8" Brick Mould Unit Size	Jamb + 1 3/4" [44mm]	Jamb + 1 5/8" [41mm]	Jamb + 1 7/8" [48mm]	Jamb + 2 7/8" [73mm]
 1-11/16" Brick Mould or Flat Casing Unit Size	Jamb + 3 3/8" [86mm]	Jamb + 2 7/16" [62mm]	Jamb + 2 11/16" [68mm]	Jamb + 3 11/16" [94mm]
 3-5/16" Flat Casing or Historical Brick Mould	Jamb + 6 5/8" [168mm]	Jamb + 4 1/16" [103mm]	Jamb + 4 5/16" [110mm]	Jamb + 5 5/16" [135mm]
 Mid Atlantic Casing	Jamb + 7" [178mm]	Jamb + 4 13/16" [122mm] *	* Mid Atlantic Casing uses this sill nose only 	
Contemporary Aluminum Clad Doors	Width	Height		
 7/8" Brick Mould Unit Size	Jamb + 1 3/4" [44mm]	Jamb + 7/8" [22mm]		
 1-11/16" Brick Mould or Flat Casing Unit Size	Jamb + 3 3/8" [86mm]	Jamb + 1 11/16" [43mm]		
 3-5/16" Flat Casing or Historical Brick Mould	Jamb + 6 5/8" [168mm]	Jamb + 3 5/16" [84mm]		
 Mid Atlantic Casing	Jamb + 7" [178mm]	Jamb + 3 1/2" [89mm]		

Casement Windows Table of Contents

Casement Windows Footnotes	11	Casement Windows Cross Sections.....	24
Casement Windows Quick Spec Guide.....	12	Casement Windows Opening Specifications	30
Casement Windows Elevations	14		

Size Codes:

The Weather Shield size code uses meaningful characters to denote standard sizes. For example:



Product Information:

- Always specify hinge code location: L (left), R (right), S (stationary) as viewed from the exterior.

Egress Information:

Units in gray meet or exceed egress opening requirements per 2015 IBC (International Building Code) minimum dimensions of 20" [508mm] clear opening width, 24" [610mm] clear opening height, 5.7 sq. ft. [5295cm²] clear opening and floor to bottom of clear opening not to exceed 44" [1118mm] in height. Verify local or state egress opening sizes with your local building inspector. Floor to bottom of clear opening dimensions are based on 82" [2083mm] jamb height of Weather Shield French doors and center hinged French doors. See Opening Specification chart for reference.

The Weather Shield Contemporary Collection

CASEMENT WINDOWS (8211/8216)

Quick Spec Guide

SPECIFICATION	STANDARD FEATURES	OPTIONAL FEATURES
EXTERIOR FINISH	<ul style="list-style-type: none"> White Cameo Tan Desert Tan Heritage Brown Adobe Craftsman Bronze Brick Red Hartford Green Gray Matters Obsidian Jet Black 	<ul style="list-style-type: none"> 4 Radiant Metallic 45 Designer 8 Anodized Custom Color
EXTERIOR TRIM	<ul style="list-style-type: none"> Integral Nail Fin Drip Cap 	<ul style="list-style-type: none"> 7/8" Brickmold 1-11/16" Brickmold 1-11/16" Flat Casing 3-5/16" Flat Casing Historical Brickmold 3/4" Sill Nosing 1" Bull Nose 1" Full Round Bull Nose 2" Bull Nose
INTERIOR FINISH	<ul style="list-style-type: none"> Natural 	<ul style="list-style-type: none"> Stained & Sealed – 5 Standard / 10 Designer Primed Prefinished White & Black Poly – 12 Standard / 45 Designer
INTERIOR SPECIES	<ul style="list-style-type: none"> Pine 	<ul style="list-style-type: none"> Oak Maple Alder (Character) Cherry Mahogany Douglas Fir
SIZE	<ul style="list-style-type: none"> Width Casements and Casement Pictures 1-6, 1-8, 2-0, 2-4, 2-6, 2-8, 3-0, 3-6 Casement Pictures 4-0, 4-6, 5-0, 5-6, 6-0, 6-6, 7-0, 7-6, 8-0 Height Casements and Casement Pictures 2-0, 2-6, 3-0, 3-6, 4-0, 4-6, 5-0, 5-6, 6-0, 6-6 7-0, 7-6, 8-0 	<ul style="list-style-type: none"> Casements: Any jamb width: 17-1/2" to 41-1/2" Casement Picture Units: Any jamb width: 17-1/2" to 115" Casements: Any jamb height: 23-1/2" to 95-1/2" Casement Picture Units: Any jamb height: 23-1/2" to 115"
FRAME PROFILE	<ul style="list-style-type: none"> Shadowline Frame (8211) 	<ul style="list-style-type: none"> Flush Frame (8216)
GLAZING	<ul style="list-style-type: none"> Low-E Insulating Glass 	<ul style="list-style-type: none"> Clear IG Low-E 240 Zo-e-shield 5 Zo-e-shield Extreme Zo-e Shield 6 (laminated) Grey or Bronze Tint Obscure Tempered
GRILLES		<ul style="list-style-type: none"> GBG: 5/8" Flat or 11/16" Sculptured SDL: 5/8", 7/8", 1-1/8", 2"
HARDWARE	<ul style="list-style-type: none"> Nested Crank Handle Contemporary Hardware Style Concealed Locking System Handle and Cover Ship Separately 	<ul style="list-style-type: none"> Traditional Hardware Style Seacoast Handle and Cover Applied Limit Stops WOCD
HARDWARE COLOR	<ul style="list-style-type: none"> Tan Rustic Bronze White Black 	<ul style="list-style-type: none"> Brushed Nickel Bright Brass
JAMB	<ul style="list-style-type: none"> 4-9/16" 	<ul style="list-style-type: none"> 3-1/16 Min 12" Max
SCREENS	<ul style="list-style-type: none"> No-See-um Mesh 	<ul style="list-style-type: none"> Aluminum Non-Glare Retractable Screen
SCREEN FRAME COLOR	<ul style="list-style-type: none"> Tan Craftsman Bronze White Jet Black 	<ul style="list-style-type: none"> Champagne Anodized Clear Anodized Bright Brass Wood Wrapped

The Weather Shield Contemporary Collection

FRENCH CASEMENT WINDOWS (8214)

Quick Spec Guide

SPECIFICATION	STANDARD FEATURES	OPTIONAL FEATURES
EXTERIOR FINISH	<ul style="list-style-type: none"> • White • Cameo • Tan • Desert Tan • Heritage Brown • Adobe 	<ul style="list-style-type: none"> • Craftsman Bronze • Brick Red • Hartford Green • Gray Matters • Obsidian • Jet Black
EXTERIOR TRIM	<ul style="list-style-type: none"> • Integral Nail Fin • Drip Cap 	<ul style="list-style-type: none"> • 4 Radiant Metallic • 45 Designer • 8 Anodized • Custom Color
EXTERIOR TRIM	<ul style="list-style-type: none"> • Integral Nail Fin • Drip Cap 	<ul style="list-style-type: none"> • 7/8" Brickmold • 1-11/16" Brickmold • 1-11/16" Flat Casing • 3-5/16" Flat Casing • Historical Brickmold
INTERIOR FINISH	<ul style="list-style-type: none"> • Natural 	<ul style="list-style-type: none"> • 3/4" Sill Nosing • 1" Bull Nose • 1" Full Round Bull Nose • 2" Bull Nose
INTERIOR FINISH	<ul style="list-style-type: none"> • Natural 	<ul style="list-style-type: none"> • Stained & Sealed – 5 Standard / 10 Designer • Primed • Prefinished White & Black • Poly – 12 Standard / 45 Designer
INTERIOR SPECIES	<ul style="list-style-type: none"> • Pine 	<ul style="list-style-type: none"> • Oak • Maple • Alder (Character) • Cherry • Mahogany • Douglas Fir
SIZE	<ul style="list-style-type: none"> • Width 1-8, 2-0, 2-4, 2-6, 2-8, 3-0 • Height 3-0, 3-6, 4-0, 4-6, 5-0, 5-6, 6-0 	<ul style="list-style-type: none"> • Any jamb width: 39 1/16" to 71 1/16" • Any jamb height: 35-1/2" to 71-1/2"
GLAZING	<ul style="list-style-type: none"> • Low-E Insulating Glass 	<ul style="list-style-type: none"> • Clear IG • Low-E 240 • Zo-e-shield 5 • Zo-e-shield Extreme • Zo-e Shield 6 (laminated) • Grey or Bronze Tint • Obscure • Tempered
GRILLES		<ul style="list-style-type: none"> • GBG: 5/8" Flat or 11/16" Sculptured • SDL: 5/8", 7/8", 1-1/8", 2"
HARDWARE	<ul style="list-style-type: none"> • Nested Crank Handle • Contemporary Hardware Style • Concealed Locking System • Handle and Cover Ship Separately 	<ul style="list-style-type: none"> • Traditional Hardware Style • Seacoast • Handle and Cover Applied • Limit Stops
HARDWARE COLOR	<ul style="list-style-type: none"> • Tan • Rustic Bronze • White • Black 	<ul style="list-style-type: none"> • Brushed Nickel • Bright Brass
JAMB	<ul style="list-style-type: none"> • 4-9/16" 	<ul style="list-style-type: none"> • 3-1/16 Min • 12" Max
SCREENS	<ul style="list-style-type: none"> • No Screen 	<ul style="list-style-type: none"> • Retractable Screen • No-See-Um Mesh
SCREEN FRAME COLOR		<ul style="list-style-type: none"> • Wood Wrapped

The Weather Shield Contemporary Collection

CASEMENT WINDOWS (8211/8213/8216)

Elevations

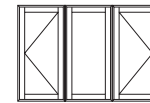
Unit Dimension	1'-5 1/2"	1'-7 1/2"	1'-11 1/2"	2'-3 1/2"	2'-5 1/2"	2'-7 1/2"	2'-11 1/2"	3'-5 1/2"
Rough Opening	1'-6"	1'-8"	2'-0"	2'-4"	2'-6"	2'-8"	3'-0"	3'-6"
Soft Metric R.O. (mm)	457	508	610	711	762	813	914	1067
Class Size	12 3/4"	14 3/4"	18 3/4"	22 3/4"	24 3/4"	26 3/4"	30 3/4"	36 3/4"

1'-5 1/2"	1620	1820	2020	2420	2620	2820	3020	3620
1'-7 1/2"	1626	1826	2026	2426	2626	2826	3026	3626
1'-11 1/2"	1630	1830	2030	2430	2630	2830	3030	3630
2'-3 1/2"	1636	1836	2036	2436	2636	2836	3036	3636
2'-5 1/2"	1640	1840	2040	2440	2640	2840	3040	3640
2'-7 1/2"	1646	1846	2046	2446	2646	2846	3046	3646
2'-11 1/2"	1650	1850	2050	2450	2650	2850	3050	3650
3'-5 1/2"	1656	1856	2056	2456	2656	2856	3056	3656
3'-9 1/2"	1660	1860	2060	2460	2660	2860	3060	3660
3'-11 1/2"	1666	1866	2066	2466	2666	2866	3066	3666
4'-5 1/2"	1670	1870	2070	2470	2670	2870	3070	3670
4'-9 1/2"	1676	1876	2076	2476	2676	2876	3076	3676



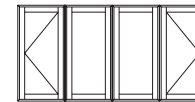
2 - Wide Units
Width Dimensions

Base Code	Unit Dimension (Frame Size)	Rough Opening	Soft Metric R.O. (mm)
CS2-16	2'-11 1/16"	2'-11 9/16"	903
CS2-18	3'-3 1/16"	3'-3 9/16"	1005
CS2-20	3'-11 1/16"	3'-11 9/16"	1208
CS2-24	4'-7 1/16"	4'-7 9/16"	1411
CS2-26	4'-11 1/16"	4'-11 9/16"	1513
CS2-28	5'-3 1/16"	5'-3 9/16"	1615
CS2-30	5'-11 1/16"	5'-11 9/16"	1818
CS2-36	6'-11 1/16"	6'-11 9/16"	2122



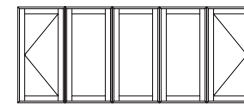
3 - Wide Units
Width Dimensions

Base Code	Unit Dimension (Frame Size)	Rough Opening	Soft Metric R.O. (mm)
CS3-16	4'-4 5/8"	4'-5 1/8"	1235
CS3-18	4'-10 5/8"	4'-11 1/8"	1502
CS3-20	5'-10 5/8"	5'-11 1/8"	1807
CS3-24	6'-10 5/8"	6'-11 1/8"	2111
CS3-26	7'-4 5/8"	7'-5 1/8"	2264
CS3-28	7'-10 5/8"	7'-11 1/8"	2416
CS3-30	8'-10 5/8"	8'-11 1/8"	2721



4 - Wide Units
Width Dimensions

Base Code	Unit Dimension (Frame Size)	Rough Opening	Soft Metric R.O. (mm)
CS4-16	5'-10 3/16"	5'-10 11/16"	1796
CS4-18	6'-6 3/16"	6'-6 11/16"	1999
CS4-20	7'-10 3/16"	7'-10 11/16"	2405
CS4-24	9'-2 3/16"	9'-2 11/16"	2812
CS4-26	9'-10 3/16"	9'-10 11/16"	3015



5 - Wide Units
Width Dimensions

Base Code	Unit Dimension (Frame Size)	Rough Opening	Soft Metric R.O. (mm)
CS5-16	7'-3 3/4"	7'-4 1/4"	2242
CS5-18	8'-1 3/4"	8'-2 1/4"	2496
CS5-20	9'-9 3/4"	9'-10 1/4"	3004

NOTE: Also available in 8-0 height. Push-out only up to 7-0.

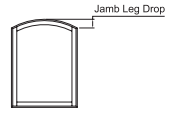
The Weather Shield Contemporary Collection

1-WIDE EYEBROW CASEMENT WINDOWS (8211/8213)

Elevations

Jamb Dimension	1'-11 1/2"	2'-3 1/2"	2'-5 1/2"	2'-7 1/2"	2'-11 1/2"	3'-5 1/2"
Rough Opening	2'-0"	2'-4"	2'-6"	2'-8"	3'-0"	3'-6"
Metric R.O. (mm)	610	711	762	813	914	1067
Class Size	18 3/4"	22 3/4"	24 3/4"	26 3/4"	30 3/4"	36 3/4"
Jamb Radius	24"	24"	30"	30"	36"	40"
Jamb Leg Drop	3 1/16"	4 5/16"	3 7/8"	4 7/16"	4 11/16"	5 13/16"

2'-11 1/2"	2030	2430	2630	2830	3030	3630
3'-5 1/2"	2036	2436	2636	2836	3036	3636
3'-11 1/2"	2040	2440	2640	2840	3040	3640
4'-5 1/2"	2046	2446	2646	2846	3046	3646
4'-11 1/2"	2050	2450	2650	2850	3050	3650
5'-5 1/2"	2056	2456	2656	2856	3056	3656
5'-11 1/2"	2060	2460	2660	2860	3060	3660
6'-5 1/2"	2066	2466	2666	2866	3066	3666
6'-11 1/2"	2070	2470	2670	2870	3070	3670
7'-5 1/2"	2076	2476	2676	2876	3076	3676



For jamb leg heights subtract leg drop from height

Push-out casements only available up to 7-0

NOTE: Also available in 8-0 height

NOTE: Available hinged left, right or stationary.

The Weather Shield Contemporary Collection

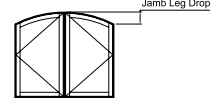
2-WIDE EYEBROW CASEMENT WINDOWS (8211/8213)

Elevations

CASEMENT

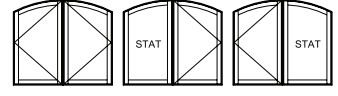
Jamb Dimension	3'-3 1/16"	3'-11 1/16"	4'-7 1/16"	4'-11 1/16"	5'-3 1/16"	5'-11 1/16"
Rough Opening	3'-3 9/16"	3'-11 9/16"	4'-7 9/16"	4'-11 9/16"	5'-3 9/16"	5'-11 9/16"
Metric R.O. (mm)	1005	1208	1411	1513	1615	1818
Glass Size	14 3/4"	18 3/4"	22 3/4"	24 3/4"	26 3/4"	30 3/4"
Jamb Radius	48"	48"	60"	60"	60"	72"
Jamb Leg Drop	4 5/32"	6 5/32"	6 11/16"	7 3/4"	8 31/32"	9 3/8"

2-11 1/2"	2-1830	2-2030	2-2430	2-2630	2-2830	2-3030
3'-0"	2-1836	2-2036	2-2436	2-2636	2-2836	2-3036
3'-5 1/2"	2-1840	2-2040	2-2440	2-2640	2-2840	2-3040
3'-11 1/2"	2-1846	2-2046	2-2446	2-2646	2-2846	2-3046
4'-0"	2-1850	2-2050	2-2450	2-2650	2-2850	2-3050
4'-5 1/2"	2-1856	2-2056	2-2456	2-2656	2-2856	2-3056
4'-6"	2-1860	2-2060	2-2460	2-2660	2-2860	2-3060
4'-11 1/2"	2-1866	2-2066	2-2466	2-2666	2-2866	2-3066
5'-0"	2-1870	2-2070	2-2470	2-2670	2-2870	2-3070
5'-5 1/2"	2-1876	2-2076	2-2476	2-2676	2-2876	2-3076
5'-6"						
6'-0"						
6'-5 1/2"						
6'-6"						
7'-0"						
7'-5 1/2"						



For jamb leg heights subtract leg drop from height

Typical Configurations



Push-out casements only available up to 7-0

NOTE: Also available in 8-0 height

The Weather Shield Contemporary Collection

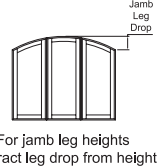
3-WIDE EYEBROW CASEMENT WINDOWS (8211)

Elevations

Jamb Dimension	4'-10 5/8"	5'-10 5/8"	6'-10 5/8"	7'-4 5/8"	7'-10 5/8"	8'-10 5/8"
Rough Opening	4'-11 1/8"	5'-11 1/8"	6'-11 1/8"	7'-5 1/8"	7'-11 1/8"	8'-11 1/8"
Metric R.O. (mm)	1502	1807	2111	2264	2416	2721
Glass Size	14 3/4"	18 3/4"	22 3/4"	24 3/4"	26 3/4"	30 3/4"
Jamb Radius	60"	72"	84"	84"	96"	108"
Jamb Leg Drop	7 5/8"	9 1/4"	10 7/8"	12 5/8"	12 15/32"	14 1/16"

2'-11 1/2"	3'-0"	3'-5 1/2"	3'-11 1/2"	4'-5 1/2"	4'-11 1/2"	5'-5 1/2"	5'-11 1/2"	6'-5 1/2"	6'-11 1/2"	7'-5 1/2"	7'-11 1/2"	8'-5 1/2"
914	1067	1219	1372	1524	1676	1829	1981	2133	2286	2438	2591	2743
30 3/4"	36 3/4"	42 3/4"	48 3/4"	54 3/4"	60 3/4"	66 3/4"	72 3/4"	78 3/4"	84 3/4"	90 3/4"	96 3/4"	102 3/4"

3-1830	3-2030	3-2430	3-2630	3-2830	3-3030
3-1836	3-2036	3-2436	3-2636	3-2836	3-3036
3-1840	3-2040	3-2440	3-2640	3-2840	3-3040
3-1846	3-2046	3-2446	3-2646	3-2846	3-3036
3-1850	3-2050	3-2450	3-2650	3-2850	3-3050
3-1856	3-2056	3-2456	3-2656	3-2856	3-3056
3-1860	3-2060	3-2460	3-2660	3-2860	3-3060
3-1866	3-2066	3-2466	3-2666	3-2866	3-3060
3-1870	3-2070	3-2470	3-2670	3-2870	3-3070
3-1876	3-2076	3-2476	3-2676	3-2876	3-3076



CASEMENT

The Weather Shield Contemporary Collection

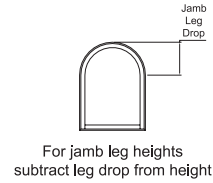
1-WIDE CIRCLE TOP CASEMENT WINDOWS (8211)

Elevations

CASEMENT

Jamb Dimension	1'-11 1/2"	2'-3 1/2"	2'-5 1/2"	2'-7 1/2"	2'-11 1/2"	3'-5 1/2"
Rough Opening	2'-0"	2'-4"	2'-6"	2'-8"	3'-0"	3'-6"
Metric R.O. (mm)	610	711	762	813	914	1067
Class Size	18 3/4"	22 3/4"	24 3/4"	26 3/4"	30 3/4"	36 3/4"
Jamb Radius	11 3/4"	13 3/4"	14 3/4"	15 3/4"	17 3/4"	20 3/4"
Jamb Leg Drop	11 3/4"	13 3/4"	14 3/4"	15 3/4"	17 3/4"	20 3/4"

2'-11 1/2"	3'-0"	3'-6"	3'-11 1/2"	4'-5 1/2"	4'-11 1/2"	5'-5 1/2"	5'-11 1/2"	6'-5 1/2"	6'-11 1/2"	7'-5 1/2"							
3'-0"	3'-6"	3'-11 1/2"	4'-5 1/2"	4'-11 1/2"	5'-5 1/2"	5'-11 1/2"	6'-5 1/2"	6'-11 1/2"	7'-5 1/2"								
914	1067	1219	1372	1524	1676	1829	1981	2133	2286								
30 3/4"	36 3/4"	42 3/4"	48 3/4"	54 3/4"	60 3/4"	66 3/4"	72 3/4"	78 3/4"	84 3/4"								
2030	2430	2630	2036	2436	2636	2836	3036	2040	2440	2640	2840	3040	3640				
2046	2446	2646	2846	3046	3646	2050	2450	2650	2850	3050	3650	2056	2456	2656	2856	3056	3656
2060	2460	2660	2860	3060	3660	2066	2466	2666	2866	3066	3666	2070	2470	2670	2870	3070	3670
2076	2476	2676	2876	3076	3676												



NOTE: Also available in 8-0 height

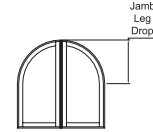
The Weather Shield Contemporary Collection

2-WIDE CIRCLE TOP CASEMENT WINDOWS (8211)

Elevations

Jamb Dimension	3'-11 1/2"	4'-7 1/16"	4'-11 1/16"	5'-3 1/16"	5'-11 1/16"
Rough Opening	3'-11 9/16"	4'-7 9/16"	4'-11 9/16"	5'-3 9/16"	5'-11 9/16"
Metric R.O. (mm)	1208	1411	1513	1615	1818
Glass Size	18 3/4"	22 3/4"	24 3/4"	26 3/4"	30 3/4"
Jamb Radius	23 17/32"	27 17/32"	29 17/32"	31 17/32"	35 17/32"
Jamb Leg Drop	23 17/32"	27 17/32"	29 17/32"	31 17/32"	35 17/32"

3'-11 1/2"	<p>2-2040</p>				
4'-5 1/2"	<p>2-2046</p>	<p>2-2446</p>	<p>2-2646</p>		
4'-11 1/2"	<p>2-2050</p>	<p>2-2450</p>	<p>2-2650</p>	<p>2-2850</p>	<p>2-3050</p>
5'-5 1/2"	<p>2-2056</p>	<p>2-2456</p>	<p>2-2656</p>	<p>2-2856</p>	<p>2-3056</p>
5'-11 1/2"	<p>2-2060</p>	<p>2-2460</p>	<p>2-2660</p>	<p>2-2860</p>	<p>2-3060</p>
6'-5 1/2"	<p>2-2066</p>	<p>2-2466</p>	<p>2-2666</p>	<p>2-2866</p>	<p>2-3066</p>
6'-11 1/2"	<p>2-2070</p>	<p>2-2470</p>	<p>2-2670</p>	<p>2-2870</p>	<p>2-3070</p>
7'-5 1/2"	<p>2-2076</p>	<p>2-2476</p>	<p>2-2676</p>	<p>2-2876</p>	<p>2-3076</p>
7'-11 1/2"	<p>2-2080</p>	<p>2-2480</p>	<p>2-2680</p>	<p>2-2880</p>	<p>2-3080</p>



For jamb leg heights
subtract leg drop from height

The Weather Shield Contemporary Collection

FRENCH CASEMENT WINDOWS (8214/8213)

Elevations

CASEMENT

Jamb Dimension	3'-3 1/8"	3'-11 1/8"	4'-7 1/16"	4'-11 1/16"	5'-3 1/16"	5'-11 1/16"
Rough Opening	3'-3 9/16"	3'-11 9/16"	4'-7 9/16"	4'-11 9/16"	5'-3 9/16"	5'-11 9/16"
Metric R.O. (mm)	1005	1208	1411	1513	1615	1818
Class Size	15 3/16"	19 3/16"	23 3/16"	25 3/16"	27 3/16"	31 3/16"
2'-11 1/2"						
3'-0"						
3'-5 1/2"						
3'-6"						
3'-11 1/2"						
4'-0"						
4'-5 1/2"						
4'-6"						
4'-11 1/2"						
5'-0"						
5'-5 1/2"						
5'-6"						
6'-0"						
6'-5 1/2"						
6'-6"						
7'-0"						

NOTE: 66 & 70 heights available for Push-out only

NOTE: Also available in 8-0 height

The Weather Shield Contemporary Collection

CASEMENT PICTURE WINDOWS (8211/8216)

Elevations

Jamb Dimension	1'-5 1/2"	1'-7 1/2"	1'-11 1/2"	2'-3 1/2"	2'-5 1/2"	2'-7 1/2"	2'-11 1/2"	3'-5 1/2"	3'-11 1/2"	4'-5 1/2"	4'-11 1/2"
Rough Opening	1'-6"	1'-8"	2'-0"	2'-4"	2'-6"	2'-8"	3'-0"	3'-6"	4'-0"	4'-6"	5'-0"
Metric R.O. (mm)	457	508	610	711	762	813	914	1067	1219	1372	1524
Class Size	12 3/4"	14 3/4"	18 3/4"	22 3/4"	24 3/4"	26 3/4"	30 3/4"	36 3/4"	42 3/4"	48 3/4"	54 3/4"
1'-11 1/2"											
2'-0"	1620	1820	2020	2420	2620	2820	3020	3620	4020	4620	5020
2'-5 1/2"											
2'-6"	1626	1826	2026	2426	2626	2826	3026	3626	4026	4626	5026
2'-11 1/2"											
3'-0"	1630	1830	2030	2430	2630	2830	3030	3630	4030	4630	5030
3'-5 1/2"											
3'-6"	1636	1836	2036	2436	2636	2836	3036	3636	4036	4636	5036
3'-11 1/2"											
4'-0"	1640	1840	2040	2440	2640	2840	3040	3640	4040	4640	5040
4'-5 1/2"											
4'-6"	1646	1846	2046	2446	2646	2846	3046	3646	4046	4646	5046
4'-11 1/2"											
5'-0"	1650	1850	2050	2450	2650	2850	3050	3650	4050	4650	5050
5'-5 1/2"											
5'-6"	1656	1856	2056	2456	2656	2856	3056	3656	4056	4656	5056
5'-11 1/2"											
6'-0"	1660	1860	2060	2460	2660	2860	3060	3660	4060	4660	5060
6'-5 1/2"											
6'-6"	1666	1866	2066	2466	2666	2866	3066	3666	4066	4666	5066
6'-11 1/2"											
7'-0"	1670	1870	2070	2470	2670	2870	3070	3670	4070	4670	5070
7'-5 1/2"											
7'-6"	1676	1876	2076	2476	2676	2876	3076	3676	4076	4676	5076
84 3/4"											
	1676	1876	2076	2476	2676	2876	3076	3676	4076	4676	5076

The Weather Shield Contemporary Collection

CASEMENT PICTURE WINDOWS (8211/8216)

Elevations

CASEMENT

Jamb Dimension	5'-5 1/2"	5'-11 1/2"	6'-5 1/2"	6'-11 1/2"	7'-5 1/2"	7'-11 1/2"
Rough Opening	5'-6"	6'-0"	6'-6"	7'-0"	7'-6"	8'-0"
Metric R.O. (mm)	1676	1829	1981	2134	2286	2438
Class Size	60 3/4"	66 3/4"	72 3/4"	78 3/4"	84 3/4"	90 3/4"
1'-11 1/2"						
2'-0"						
2'-6"						
3'-0"						
3'-5 1/2"						
3'-11 1/2"						
4'-0"						
4'-5 1/2"						
4'-6"						
4'-11 1/2"						
5'-0"						
5'-5 1/2"						
5'-6"						
5'-11 1/2"						
6'-0"						
6'-5 1/2"						
6'-6"						
6'-11 1/2"						
7'-0"						
7'-5 1/2"						
7'-6"						
7'-11 1/2"						
8'-0"						

NOTE: Also available in 8-0 height

The Weather Shield Contemporary Collection

CASEMENT TRANSOM WINDOWS (8211/8216)

Elevations

Jamb Dimension	1'-5 1/2"	1'-7 1/2"	1'-11 1/2"	2'-3 1/2"	2'-5 1/2"	2'-7 1/2"	2'-11 1/2"	3'-5 1/2"	3'-11 1/2"	4'-5 1/2"	4'-11 1/2"
Rough Opening	1'-6"	1'-8"	2'-0"	2'-4"	2'-6"	2'-8"	3'-0"	3'-6"	4'-0"	4'-6"	5'-0"
Metric R.O. (mm)	457	508	610	711	762	813	914	1067	1219	1372	1524
Glass Size	12 3/4"	14 3/4"	18 3/4"	22 3/4"	24 3/4"	26 3/4"	30 3/4"	36 3/4"	42 3/4"	48 3/4"	54 3/4"

1'-5 1/2"											
1'-6"	1616	1816	2016	2416	2616	2816	3016	3616	4016	4616	5016
1'-7 1/2"											
1'-8"	1618	1818	2018	2418	2618	2818	3018	3618	4018	4618	5018
2'-0"											
2'-6"	1620	1820	2020	2420	2620	2820	3020	3620	4020	4620	5020
2'-5 1/2"											
2'-6"	1626	1826	2026	2426	2626	2826	3026	3626	4026	4626	5026
2'-11 1/2"											
3'-0"	1630	1830	2030	2430	2630	2830	3030	3630	4030	4630	5030
3'-0"											
30 3/4"	1830	2030	2430	2630	2830	3030	3630	4030	4630	5030	

Jamb Dimension	5'-5 1/2"	5'-11 1/2"	6'-5 1/2"	6'-11 1/2"	7'-5 1/2"	7'-11 1/2"
Rough Opening	5'-6"	6'-0"	6'-6"	7'-0"	7'-6"	8'-0"
Metric R.O. (mm)	1676	1829	1981	2134	2286	2438
Glass Size	60 3/4"	66 3/4"	72 3/4"	78 3/4"	84 3/4"	90 3/4"

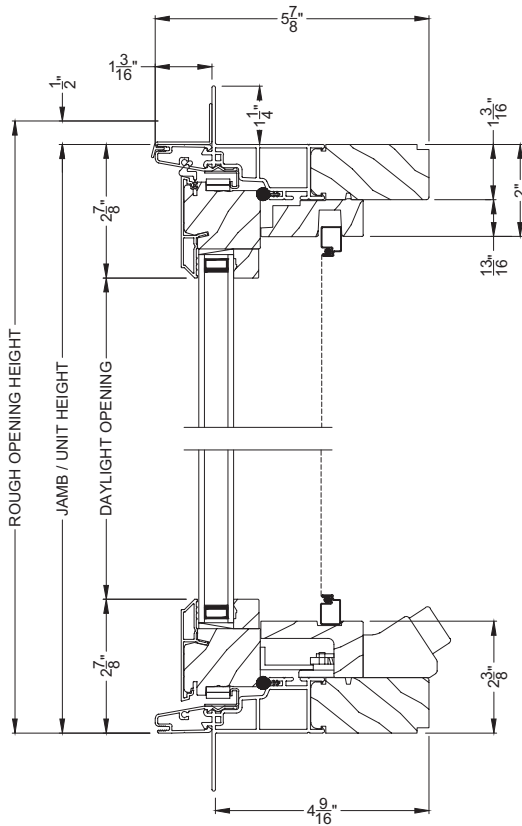
1'-5 1/2"						
1'-6"	5616	6016	6616	7016	7616	8016
1'-7 1/2"						
1'-8"	5618	6018	6618	7018	7618	8018
2'-0"						
2'-6"	5620	6020	6620	7020	7620	8020
2'-5 1/2"						
2'-6"	5626	6026	6626	7026	7626	8026
2'-11 1/2"						
3'-0"	5630	6030	6630	7030	7630	8030
3'-0"						
30 3/4"	6030	6630	7030	7630	8030	

2 - Wide Units Width Dimensions				3 - Wide Units Width Dimensions				4 - Wide Units Width Dimensions			
Base Code	Jamb Dimension (Frame Size)	Rough Opening	Metric R.O. (mm)	Base Code	Jamb Dimension (Frame Size)	Rough Opening	Metric R.O. (mm)	Base Code	Jamb Dimension (Frame Size)	Rough Opening	Metric R.O. (mm)
CS2-16	2'-11 1/16"	2'-11 9/16"	903	CS3-16	4'-4 5/8"	4'-5 1/8"	1235	CS4-16	5'-10 3/16"	5'-10 11/16"	1796
CS2-18	3'-3 1/16"	3'-3 9/16"	1005	CS3-18	4'-10 5/8"	4'-11 1/8"	1502	CS4-18	6'-6 3/16"	6'-6 11/16"	1999
CS2-20	3'-11 1/16"	3'-11 9/16"	1208	CS3-20	5'-10 5/8"	5'-11 1/8"	1807	CS4-20	7'-10 3/16"	7'-10 11/16"	2405
CS2-24	4'-7 1/16"	4'-7 9/16"	1411	CS3-24	6'-10 5/8"	6'-11 1/8"	2111	CS4-24	9'-2 3/16"	9'-2 11/16"	2812
CS2-26	4'-11 1/16"	4'-11 9/16"	1513	CS3-26	7'-4 5/8"	7'-5 1/8"	2264	CS4-26	9'-10 3/16"	9'-10 11/16"	3015
CS2-28	5'-3 1/16"	5'-3 9/16"	1615	CS3-28	7'-10 5/8"	7'-11 1/8"	2416	5 - Wide Units Width Dimensions			
CS2-30	5'-11 1/16"	5'-11 9/16"	1818	CS3-30	8'-10 5/8"	8'-11 1/8"	2721				
CS2-36	6'-11 1/16"	6'-11 9/16"	2122								
CS2-40	7'-11 1/16"	7'-11 9/16"	2427								
CS2-46	8'-11 1/16"	8'-11 9/16"	2732								
CS2-50	9'-11 1/16"	9'-11 9/16"	3037								
Base Code	Jamb Dimension (Frame Size)	Rough Opening	Metric R.O. (mm)								
CS5-16	7'-3 3/4"	7'-4 1/4"	2242								
CS5-18	8'-1 3/4"	8'-2 1/4"	2496								
CS5-20	9'-9 3/4"	9'-10 1/4"	3004								

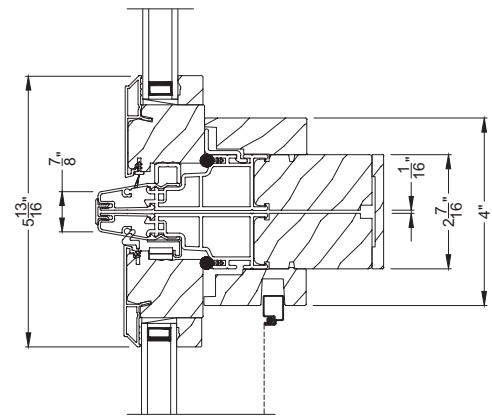
CASEMENT WINDOWS (8211)

Cross Sections

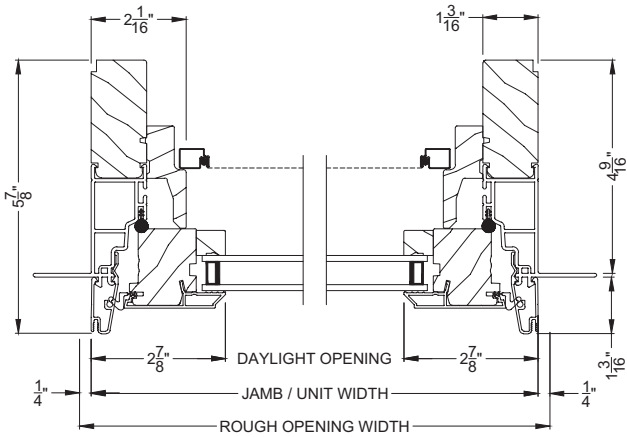
CASEMENT



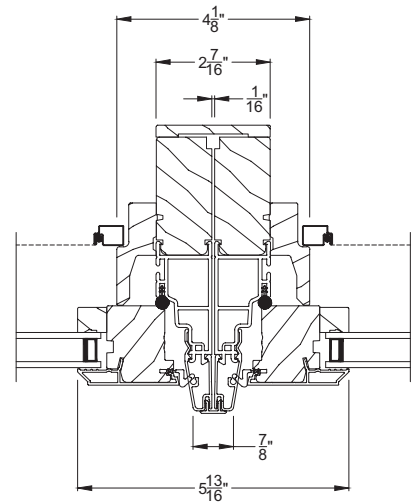
CONTEMPORARY CASEMENT WINDOW (8211)
Vertical Section - Shadow-Line Frame



CONTEMPORARY CASEMENT WINDOW
Horizontal Stack Section - Transom Stack over Casement



CONTEMPORARY CASEMENT WINDOW (8211)
Horizontal Section - Shadow-Line Frame



CONTEMPORARY CASEMENT WINDOW
Vertical Mull Section

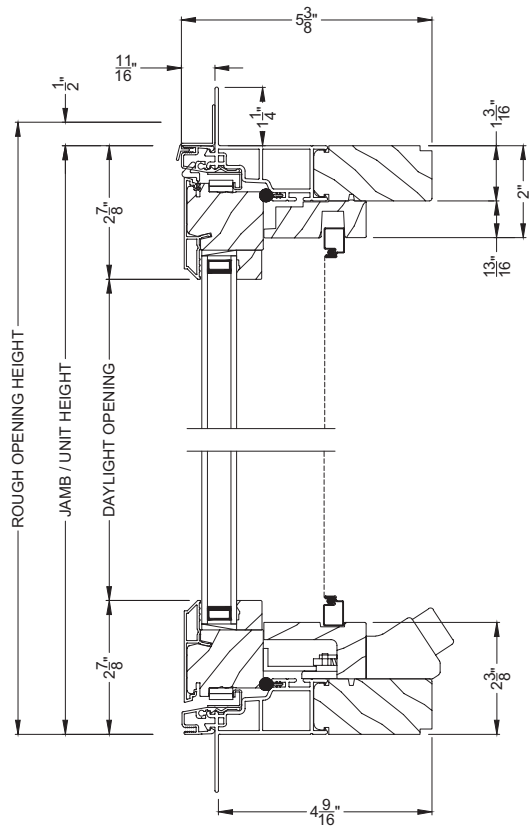
Note: All dimensions are approximate. Weather Shield reserves the right to change specifications without notice.

The Weather Shield Contemporary Collection

CASEMENT WINDOWS (8216)

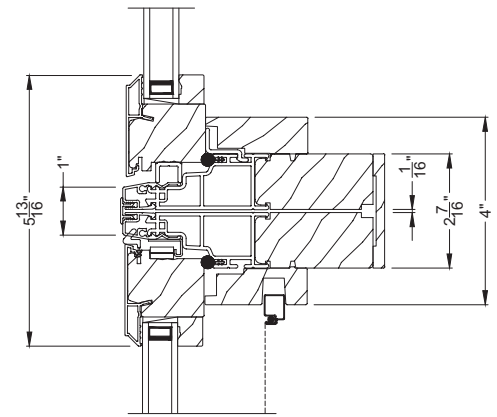
Cross Sections

CASEMENT



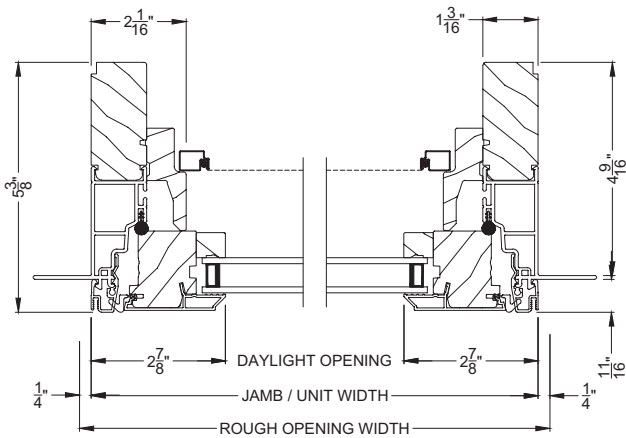
CONTEMPORARY CASEMENT WINDOW (8216)

Vertical Section - Flush Frame



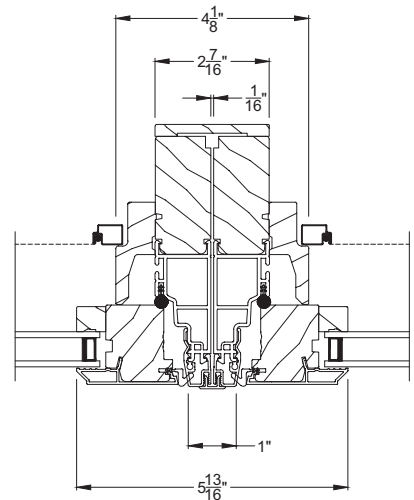
CONTEMPORARY CASEMENT WINDOW

Horizontal Stack Section - Transom Stack over Casement



CONTEMPORARY CASEMENT WINDOW (8216)

Horizontal Section - Flush Frame



CONTEMPORARY CASEMENT WINDOW

Vertical Mull Section

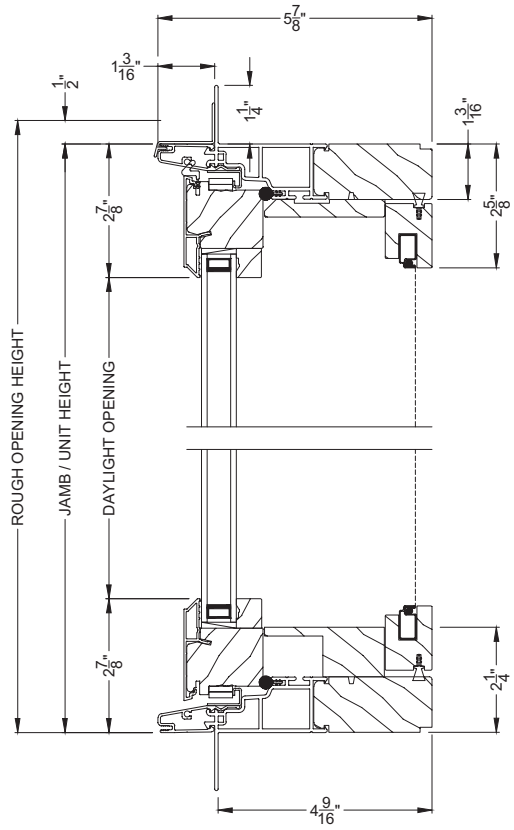
Note: All dimensions are approximate. Weather Shield reserves the right to change specifications without notice.

The Weather Shield Contemporary Collection

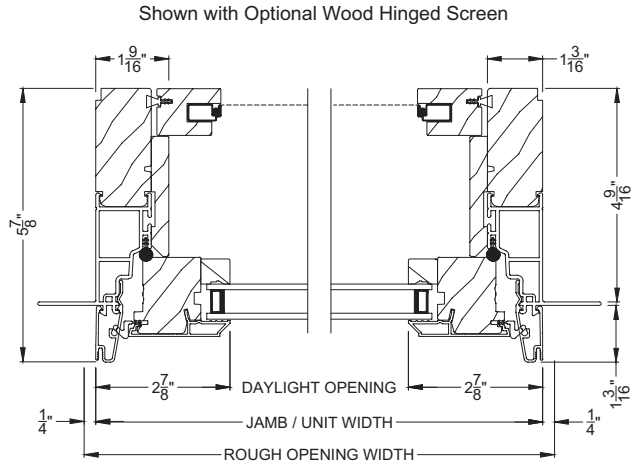
PUSH-OUT CASEMENT WINDOWS (8213)

Cross Sections

CASEMENT

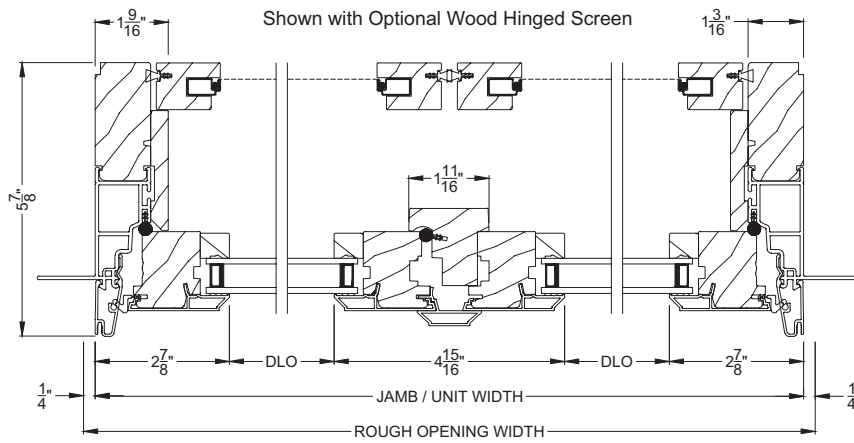


Shown with Optional Wood Hinged Screen



CONTEMPORARY CASEMENT WINDOW (8213)
Horizontal Section - Shadow-Line Frame - Manual Push Out

CONTEMPORARY CASEMENT WINDOW (8213)
Vertical Section - Shadow-Line Frame - Manual Push Out



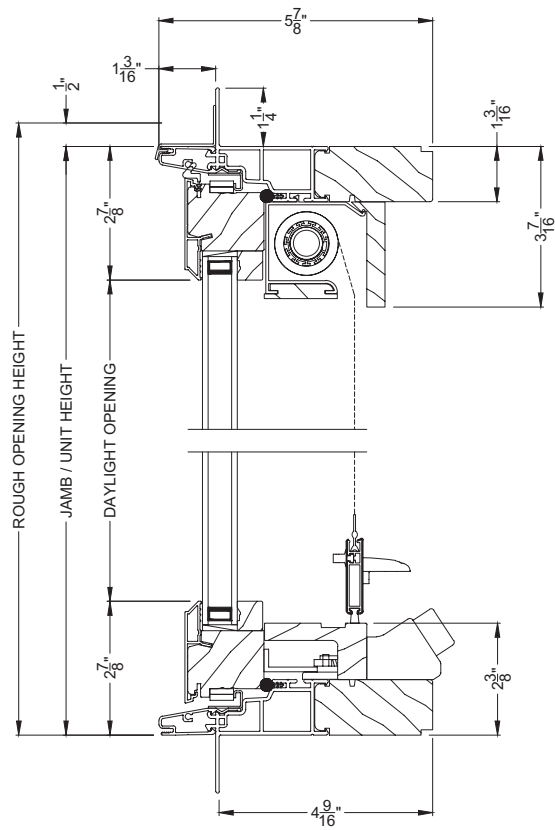
CONTEMPORARY FRENCH CASEMENT WINDOW (8213)
Horizontal Section - Shadow-Line Frame - Manual Push Out

Note: All dimensions are approximate. Weather Shield reserves the right to change specifications without notice.

The Weather Shield Contemporary Collection

FRENCH CASEMENT WINDOWS (8214)

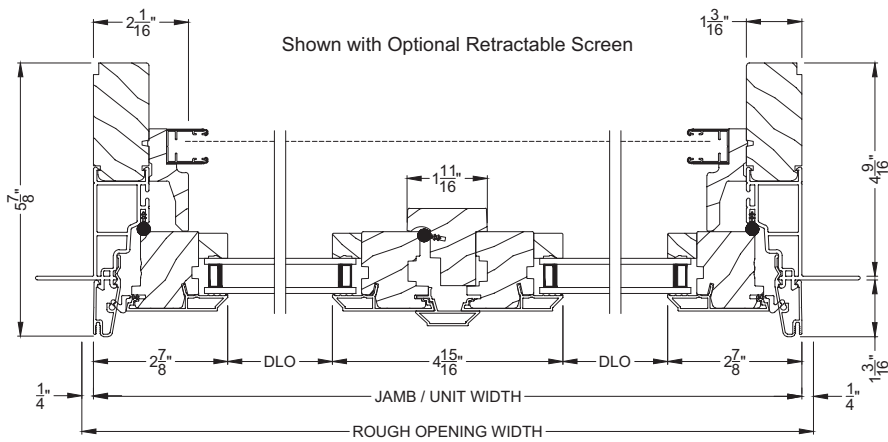
Cross Sections



Shown with Optional Retractable Screen

CONTEMPORARY FRENCH CASEMENT WINDOW (8214)

Vertical Section - Shadow-Line Frame - Crank Operator



Shown with Optional Retractable Screen

CONTEMPORARY FRENCH CASEMENT WINDOW (8214)

Horizontal Section - Shadow-Line Frame - Crank Operator

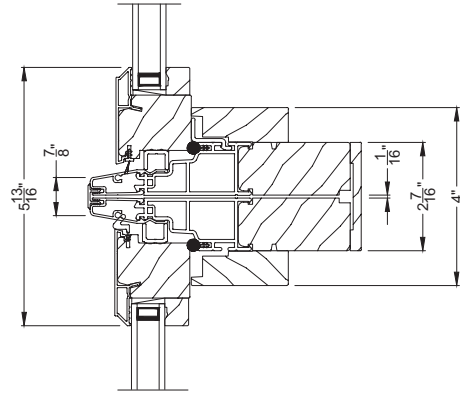
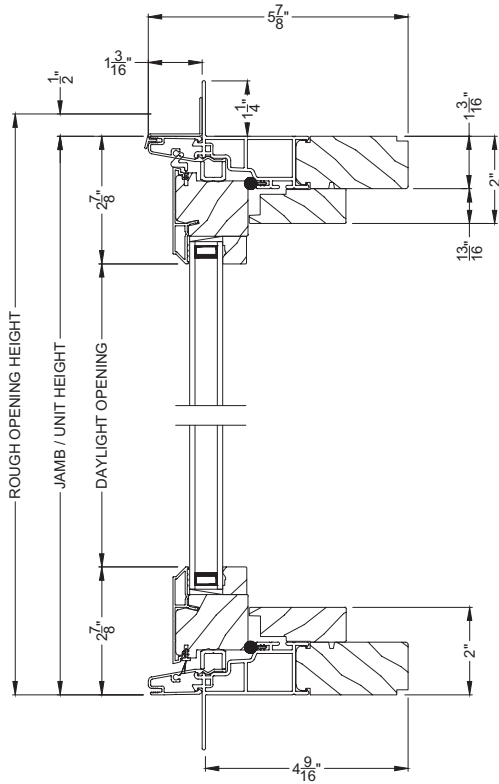
Note: All dimensions are approximate. Weather Shield reserves the right to change specifications without notice.

The Weather Shield Contemporary Collection

CASEMENT PICTURE/TRANSOM WINDOWS (8211)

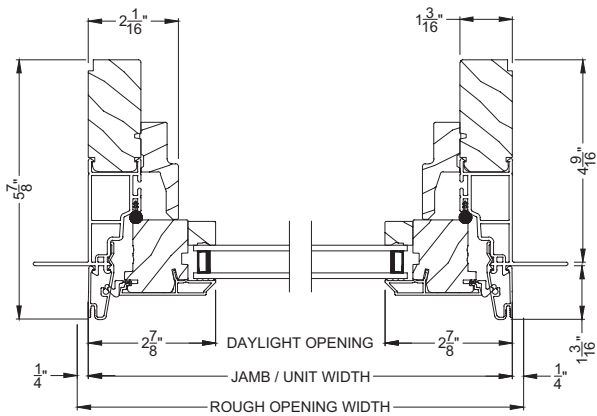
Cross Sections

CASEMENT

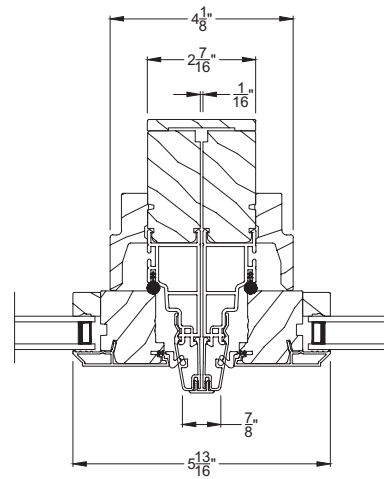


CONTEMPORARY CASEMENT PICTURE WINDOW
Horizontal Stack Section - Transom Stack over Casement Picture

CONTEMPORARY CASEMENT PICTURE WINDOW (8211)
Vertical Section - Shadow-Line Frame



CONTEMPORARY CASEMENT PICTURE WINDOW (8211)
Horizontal Section - Shadow-Line Frame



CONTEMPORARY CASEMENT PICTURE WINDOW
Vertical Mull Section

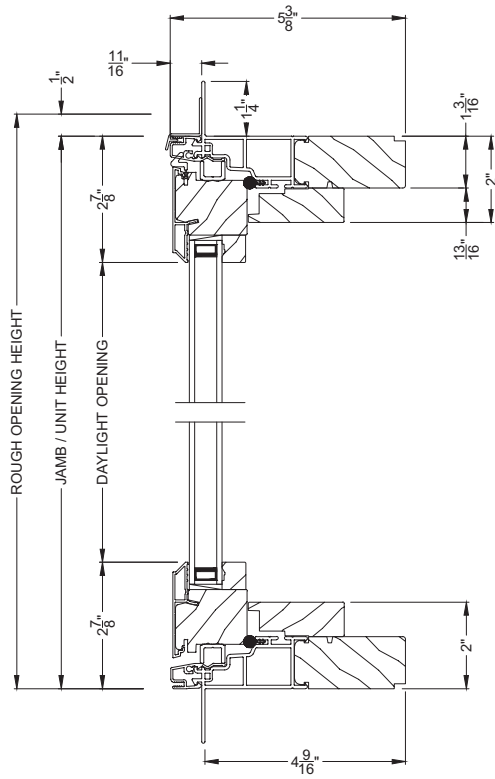
Note: All dimensions are approximate. Weather Shield reserves the right to change specifications without notice.

The Weather Shield Contemporary Collection

CASEMENT PICTURE/TRANSOM WINDOWS (8216)

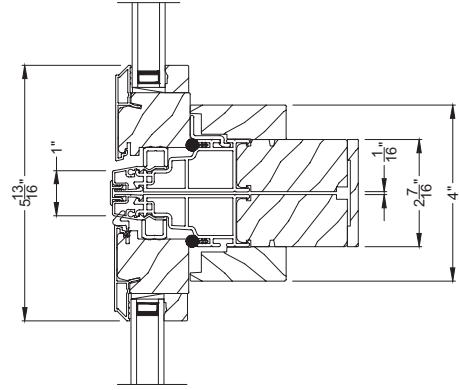
Cross Sections

CASEMENT



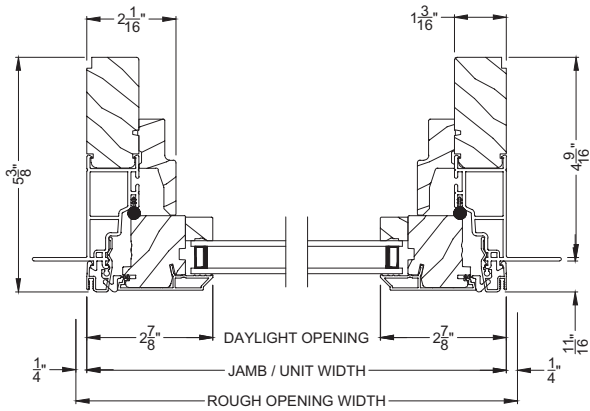
CONTEMPORARY CASEMENT PICTURE WINDOW (8216)

Vertical Section - Flush Frame



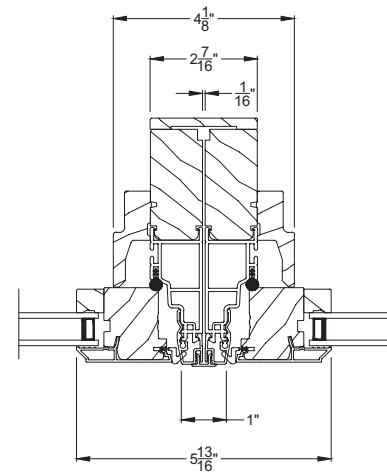
CONTEMPORARY CASEMENT PICTURE WINDOW

Horizontal Stack Section - Transom Stack over Casement Picture



CONTEMPORARY CASEMENT PICTURE WINDOW (8216)

Horizontal Section - Flush Frame



CONTEMPORARY CASEMENT PICTURE WINDOW

Vertical Mull Section

Note: All dimensions are approximate. Weather Shield reserves the right to change specifications without notice.

The Weather Shield Contemporary Collection

CASEMENT WINDOWS (8211/8216)

Opening Specifications

CASEMENT

Call Size	Sq. Ft. Clear Opening	Clear Opening		Sq. Ft. Daylight Opening	Sq. Ft. Vent	Floor to Bottom of Clear Opening ^a	Sq. Ft. Overall Unit Area ^b
		Width	Height				
1620	1.29	9.71	19.13	1.45	1.56	60.89	2.86
1626	1.70	9.71	25.13	1.94	2.05	54.89	3.59
1630	2.10	9.71	31.13	2.43	2.54	48.89	4.31
1636	2.50	9.71	37.13	2.92	3.03	42.89	5.04
1640	2.91	9.71	43.13	3.41	3.52	36.89	5.77
1646	3.31	9.71	49.13	3.90	4.01	30.89	6.50
1650	3.72	9.71	55.13	4.39	4.50	24.89	7.23
1656	4.12	9.71	61.13	4.88	4.99	18.89	7.96
1660	4.53	9.71	67.13	5.37	5.48	36.89	8.69
1666	4.93	9.71	73.13	5.85	5.97	30.89	9.42
1670	5.34	9.71	79.13	6.34	6.46	24.89	10.15
1676	5.74	9.71	85.13	6.83	6.95	18.89	10.88
1680	6.15	9.71	91.13	7.32	7.44	12.89	11.61
1820	1.56	11.71	19.13	1.69	1.83	60.89	3.18
1826	2.04	11.71	25.13	2.27	2.40	54.89	3.99
1830	2.53	11.71	31.13	2.84	2.97	48.89	4.81
1836	3.02	11.71	37.13	3.41	3.55	42.89	5.62
1840	3.51	11.71	43.13	3.99	4.12	36.89	6.43
1846	4.00	11.71	49.13	4.56	4.69	30.89	7.24
1850	4.48	11.71	55.13	5.13	5.26	24.89	8.06
1856	4.97	11.71	61.13	5.71	5.84	18.89	8.87
1860	5.46	11.71	67.13	6.28	6.41	36.89	9.68
1866	5.95	11.71	73.13	6.85	6.98	30.89	10.49
1870	6.44	11.71	79.13	7.42	7.56	24.89	11.31
1876	6.92	11.71	85.13	8.00	8.13	18.89	12.12
1880	7.41	11.71	91.13	8.57	8.70	12.89	12.93
2020	2.09	15.71	19.13	2.19	2.36	60.89	3.84
2026	2.74	15.71	25.13	2.93	3.10	54.89	4.81
2030	3.40	15.71	31.13	3.67	3.84	48.89	5.79
2036	4.05	15.71	37.13	4.41	4.58	42.89	6.77
2040	4.71	15.71	43.13	5.15	5.32	36.89	7.75
2046	5.36	15.71	49.13	5.89	6.06	30.89	8.73
2050	6.02	15.71	55.13	6.63	6.80	24.89	9.71
2056	6.67	15.71	61.13	7.37	7.54	18.89	10.69
2060	7.33	15.71	67.13	8.10	8.28	36.89	11.67
2066	7.98	15.71	73.13	8.84	9.02	30.89	12.65
2070	8.63	15.71	79.13	9.58	9.75	24.89	13.63
2076	9.29	15.71	85.13	10.32	10.49	18.89	14.61
2080	9.94	15.71	91.13	11.06	11.23	12.89	15.59
2420	2.62	19.71	19.13	2.68	2.89	60.89	4.49
2426	3.44	19.71	25.13	3.59	3.80	54.89	5.63
2430	4.26	19.71	31.13	4.49	4.70	48.89	6.78
2436	5.08	19.71	37.13	5.40	5.61	42.89	7.93
2440 ^c	6.42	21.44	43.13	6.31	6.52	36.89	9.07
2446 ^c	7.32	21.44	49.13	7.21	7.42	30.89	10.22
2450 ^c	8.21	21.44	55.13	8.12	8.33	24.89	11.36
2456 ^c	9.10	21.44	61.13	9.02	9.23	18.89	12.51
2460 ^c	10.00	21.44	67.13	9.93	10.14	36.89	13.65
2466 ^c	10.89	21.44	73.13	10.84	11.05	30.89	14.80
2470 ^c	11.78	21.44	79.13	11.74	11.95	24.89	15.95
2476 ^c	12.68	21.44	85.13	12.65	12.86	18.89	17.09
2480 ^c	13.57	21.44	91.13	13.56	13.77	12.89	18.24

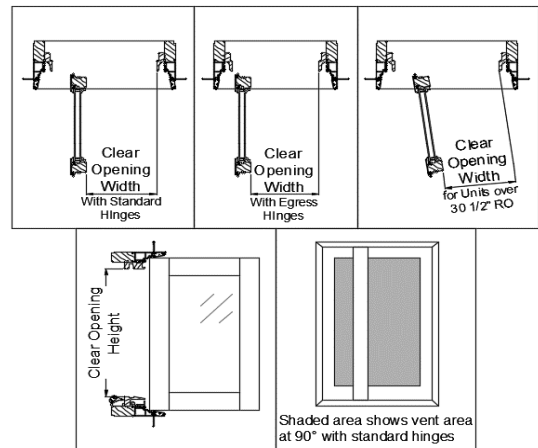
Shaded sizes meet or exceed egress opening requirements per 2015 IBC (International Building Code) minimum dimensions of 20" clear opening width, 24" clear opening height, 5.7 sq. ft. clear opening and floor to bottom of clear opening not to exceed 44".

^a Floor to bottom of clear opening dimensions are based on 82" jamb height of a 6-10 door.

All units over 66" RO height are based off 106" jamb height for floor to clear opening dimension

^b Sq. Ft. Overall Unit Area is calculated on the jamb dimension.

^c These units are standard with egress hinges



The requirements outlined above for the major US building codes can be modified by local jurisdictions. Therefore, it is important to check local codes in the areas in which the product is to be installed.

The Weather Shield Contemporary Collection

CASEMENT WINDOWS (8211/8216)

Opening Specifications

CASEMENT

Call Size	Sq. Ft. Clear Opening	Clear Opening		Sq. Ft. Daylight Opening	Sq. Ft. Vent	Floor to Bottom of Clear Opening ^a	Sq. Ft. Overall Unit Area ^b
		Width	Height				
2620	2.88	21.71	19.13	2.93	3.16	60.89	4.81
2626	3.79	21.71	25.13	3.92	4.15	54.89	6.04
2630	4.69	21.71	31.13	4.91	5.13	48.89	7.27
2636 ^c	6.05	23.44	37.13	5.90	6.12	42.89	8.50
2640	6.50	21.71	43.13	6.89	7.11	36.89	9.73
2646	7.41	21.71	49.13	7.88	8.10	30.89	10.96
2650	8.31	21.71	55.13	8.87	9.09	24.89	12.19
2656	9.22	21.71	61.13	9.85	10.08	18.89	13.42
2660	10.12	21.71	67.13	10.84	11.07	36.89	14.65
2666	11.03	21.71	73.13	11.83	12.06	30.89	15.88
2670	11.93	21.71	79.13	12.82	13.05	24.89	17.11
2676	12.84	21.71	85.13	13.81	14.04	18.89	18.34
2680	13.74	21.71	91.13	14.80	15.03	12.89	19.56
2820	2.86	21.53	19.13	3.17	3.42	60.89	5.14
2826	3.76	21.53	25.13	4.25	4.49	54.89	6.45
2830	4.66	21.53	31.13	5.32	5.57	48.89	7.77
2836	6.11	23.71	37.13	6.39	6.64	42.89	9.08
2840	6.45	21.53	43.13	7.47	7.71	36.89	10.39
2846	7.35	21.53	49.13	8.54	8.79	30.89	11.70
2850	8.24	21.53	55.13	9.61	9.86	24.89	13.02
2856	9.14	21.53	61.13	10.68	10.93	18.89	14.33
2860	10.04	21.53	67.13	11.76	12.01	36.89	15.64
2866	10.94	21.53	73.13	12.83	13.08	30.89	16.95
2870	11.83	21.53	79.13	13.90	14.15	24.89	18.27
2876	12.73	21.53	85.13	14.98	15.22	18.89	19.58
2880	13.63	21.53	91.13	16.05	16.30	12.89	20.89
3020	3.38	25.47	19.13	3.67	3.95	60.89	5.79
3026	4.44	25.47	25.13	4.91	5.19	54.89	7.27
3030 ^d	5.99	27.71	31.13	6.15	6.43	48.89	8.75
3036	6.57	25.47	37.13	7.39	7.67	42.89	10.23
3040	7.63	25.47	43.13	8.63	8.91	36.89	11.71
3046	8.69	25.47	49.13	9.87	10.15	30.89	13.19
3050	9.75	25.47	55.13	11.10	11.39	24.89	14.67
3056	10.81	25.47	61.13	12.34	12.63	18.89	16.15
3060	11.87	25.47	67.13	13.58	13.87	36.89	17.63
3066	12.93	25.47	73.13	14.82	15.11	30.89	19.11
3070	13.99	25.47	79.13	16.06	16.35	24.89	20.59
3076	15.06	25.47	85.13	17.30	17.59	18.89	22.06
3080	16.12	25.47	91.13	18.54	18.83	12.89	23.54
3620	4.17	31.37	19.13	4.41	4.75	60.89	6.77
3626	5.47	31.37	25.13	5.90	6.24	54.89	8.50
3630 ^d	7.29	33.71	31.13	7.39	7.73	48.89	10.23
3636	8.11	31.47	37.13	8.88	9.22	42.89	11.96
3640	9.43	31.47	43.13	10.37	10.71	36.89	13.69
3646	10.74	31.47	49.13	11.85	12.20	30.89	15.42
3650	12.05	31.47	55.13	13.34	13.69	24.89	17.15
3656	13.36	31.47	61.13	14.83	15.18	18.89	18.88
3660	14.67	31.47	67.13	16.32	16.67	36.89	20.61
3666	15.98	31.47	73.13	17.81	18.16	30.89	22.34
3670	17.29	31.47	79.13	19.30	19.65	24.89	24.06
3676	18.60	31.47	85.13	20.79	21.14	18.89	25.79
3680	19.91	31.47	91.13	22.28	22.63	12.89	27.52

Shaded sizes meet or exceed egress opening requirements per 2015 IBC (International Building Code) minimum dimensions of 20" clear opening width, 24" clear opening height, 5.7 sq. ft. clear opening and floor to bottom of clear opening not to exceed 44".

^a Floor to bottom of clear opening dimensions are based on 82" jamb height of a 6-10 door.

All units over 66" RO height are based off 106" jamb height for floor to clear opening dimension

^b Sq. Ft. Overall Unit Area is calculated on the jamb dimension.

^c These units are standard with egress hinges

^d These windows meet or exceed emergency escape and rescue opening requirements if installed lower in the wall so the "Floor to Bottom of Clear Opening Height" does not exceed 44".

Most units 30.5" or wider in rough opening width are manufactured with a 14" hinge. Sash opens to approximately 82° at full opening, which could limit emergency escape and rescue compatibility. Clear opening width values for these are calculated parallel to the sash. Check with your local building inspector to verify allowance

The requirements outlined above for the major US building codes can be modified by local jurisdictions. Therefore, it is important to check local codes in the areas in which the product is to be installed.

The Weather Shield Contemporary Collection

EYEBROW CASEMENT WINDOWS (8211)

Opening Specifications

CASEMENT

Call Size	Sq. Ft. Clear Opening	Clear Opening		Sq. Ft. Daylight Opening	Sq. Ft. Vent	Floor to Bottom of Clear Opening ^a	Sq. Ft. Overall Unit Area ^b
		Width	Height				
2030	3.73	18.60	28.87	3.59	3.94	48.89	5.63
2036	4.50	18.60	34.87	4.33	4.71	42.89	6.61
2040	5.28	18.60	40.87	5.07	5.49	36.89	7.59
2046	6.05	18.60	46.87	5.81	6.26	30.89	8.57
2050	6.83	18.60	52.87	6.55	7.04	24.89	9.55
2056	7.60	18.60	58.87	7.29	7.81	18.89	10.53
2060	8.38	18.60	64.87	8.03	8.59	36.89	11.51
2066	9.15	18.60	70.87	8.77	9.36	30.89	12.49
2070	9.93	18.60	76.87	9.50	10.14	24.89	13.47
2076	10.70	18.60	82.87	10.24	10.91	18.89	14.45
2080	11.48	18.60	88.87	10.98	11.69	12.89	15.42
2430	4.36	22.60	27.76	4.35	4.73	48.89	6.52
2436	5.30	22.60	33.76	5.25	5.67	42.89	7.66
2440	6.24	22.60	39.76	6.16	6.61	36.89	8.81
2446	7.18	22.60	45.76	7.07	7.55	30.89	9.96
2450	8.12	22.60	51.76	7.97	8.50	24.89	11.10
2456	9.06	22.60	57.76	8.88	9.44	18.89	12.25
2460	10.01	22.60	63.76	9.78	10.38	36.89	13.39
2466	10.95	22.60	69.76	10.69	11.32	30.89	14.54
2470	11.89	22.60	75.76	11.60	12.26	24.89	15.68
2476	12.83	22.60	81.76	12.50	13.20	18.89	16.83
2480	13.77	22.60	87.76	13.41	14.15	12.89	17.98
2630	4.80	24.60	28.08	4.76	5.16	48.89	7.02
2636	5.82	24.60	34.08	5.75	6.19	42.89	8.24
2640	6.85	24.60	40.08	6.74	7.21	36.89	9.47
2646	7.87	24.60	46.08	7.73	8.24	30.89	10.70
2650	8.90	24.60	52.08	8.72	9.26	24.89	11.93
2656	9.92	24.60	58.08	9.71	10.29	18.89	13.16
2660	10.95	24.60	64.08	10.70	11.31	36.89	14.39
2666	11.97	24.60	70.08	11.69	12.34	30.89	15.62
2670	13.00	24.60	76.08	12.68	13.36	24.89	16.85
2676	14.02	24.60	82.08	13.67	14.39	18.89	18.08
2680	15.05	24.60	88.08	14.66	15.41	12.89	19.31
2830	5.08	26.60	27.50	5.13	5.54	48.89	7.46
2836	6.19	26.60	33.50	6.20	6.65	42.89	8.77
2840	7.30	26.60	39.50	7.28	7.76	36.89	10.08
2846	8.40	26.60	45.50	8.35	8.87	30.89	11.39
2850	9.51	26.60	51.50	9.42	9.98	24.89	12.71
2856	10.62	26.60	57.50	10.50	11.08	18.89	14.02
2860	11.73	26.60	63.50	11.57	12.19	36.89	15.33
2866	12.84	26.60	69.50	12.64	13.30	30.89	16.64
2870	13.95	26.60	75.50	13.71	14.41	24.89	17.96
2876	15.05	26.60	81.50	14.79	15.52	18.89	19.27
2880	16.16	26.60	87.50	15.86	16.63	12.89	20.58
3030 ^c	5.80	30.60	27.29	5.91	6.37	48.89	8.38
3036	7.07	30.60	33.29	7.15	7.64	42.89	9.85
3040	8.35	30.60	39.29	8.39	8.92	36.89	11.33
3046	9.62	30.60	45.29	9.63	10.19	30.89	12.81
3050	10.90	30.60	51.29	10.87	11.47	24.89	14.29
3056	12.17	30.60	57.29	12.11	12.74	18.89	15.77
3060	13.45	30.60	63.29	13.35	14.02	36.89	17.25
3066	14.72	30.60	69.29	14.59	15.29	30.89	18.73
3070	16.00	30.60	75.29	15.83	16.57	24.89	20.21
3076	17.27	30.60	81.29	17.07	17.84	18.89	21.69
3080	18.55	30.60	87.29	18.30	19.12	12.89	23.17

Shaded sizes meet or exceed egress opening requirements per 2015 IBC (International Building Code) minimum dimensions of 20" clear opening width, 24" clear opening height, 5.7 sq. ft. clear opening and floor to bottom of clear opening not to exceed 44".

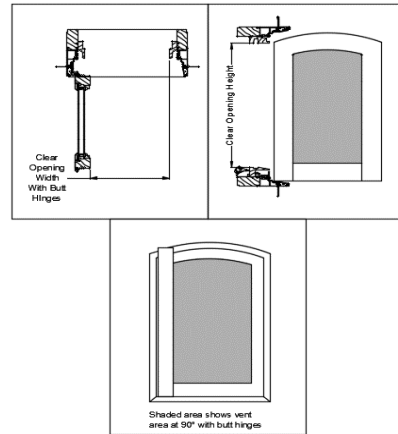
^a Floor to bottom of clear opening dimensions are based on 82" jamb height of a 6-10 door.

All units over 66" RO height are based off 106" jamb height for floor to clear opening dimension

^b Sq. Ft. Overall Unit Area is calculated on the jamb dimension.

^c These windows meet or exceed emergency escape and rescue opening requirements if installed lower in the wall so the "Floor to Bottom of Clear Opening Height" does not exceed 44".

Clear openings are calculated with the sash open to approximately 82°, which may limit emergency escape and rescue compatibility. Check with your local building code official to verify compliance.



The requirements outlined above for the major US building codes can be modified by local jurisdictions. Therefore, it is important to check local codes in the areas in which the product is to be installed.

The Weather Shield Contemporary Collection

ROUNDTOP CASEMENT WINDOWS (8211)

Opening Specifications

CASEMENT

Call Size	Sq. Ft. Clear Opening	Clear Opening		Sq. Ft. Daylight Opening	Sq. Ft. Vent	Floor to Bottom of Clear Opening ^a	Sq. Ft. Overall Unit Area ^b
		Width	Height				
2030	2.76	18.60	21.36	3.43	3.70	48.89	5.38
2036	3.53	18.60	27.36	4.17	4.48	42.89	6.36
2040	4.31	18.60	33.36	4.91	5.25	36.89	7.34
2046	5.08	18.60	39.36	5.65	6.03	30.89	8.32
2050	5.86	18.60	45.36	6.39	6.80	24.89	9.30
2056	6.63	18.60	51.36	7.13	7.58	18.89	10.28
2060	7.41	18.60	57.36	7.87	8.35	36.89	11.26
2066	8.18	18.60	63.36	8.61	9.13	30.89	12.24
2070	8.96	18.60	69.36	9.35	9.90	24.89	13.22
2076	9.73	18.60	75.36	10.09	10.68	18.89	14.19
2430	3.04	22.60	19.36	4.14	4.43	48.89	6.22
2436	3.98	22.60	25.36	5.05	5.37	42.89	7.36
2440	4.92	22.60	31.36	5.95	6.31	36.89	8.51
2446	5.86	22.60	37.36	6.86	7.26	30.89	9.65
2450	6.80	22.60	43.36	7.77	8.20	24.89	10.80
2456	7.75	22.60	49.36	8.67	9.14	18.89	11.95
2460	8.69	22.60	55.36	9.58	10.08	36.89	13.09
2466	9.63	22.60	61.36	10.48	11.02	30.89	14.24
2470	10.57	22.60	67.36	11.39	11.96	24.89	15.38
2476	11.51	22.60	73.36	12.30	12.91	18.89	16.53
2630	3.14	24.60	18.36	4.49	4.79	48.89	6.62
2636	4.16	24.60	24.36	5.48	5.81	42.89	7.85
2640	5.19	24.60	30.36	6.47	6.84	36.89	9.08
2646	6.21	24.60	36.36	7.46	7.86	30.89	10.31
2650	7.24	24.60	42.36	8.44	8.89	24.89	11.54
2656	8.26	24.60	48.36	9.43	9.91	18.89	12.77
2660	9.29	24.60	54.36	10.42	10.94	36.89	14.00
2666	10.31	24.60	60.36	11.41	11.96	30.89	15.23
2670	11.34	24.60	66.36	12.40	12.99	24.89	16.46
2676	12.36	24.60	72.36	13.39	14.01	18.89	17.69
2836	4.31	26.60	23.36	5.90	6.24	42.89	8.34
2840	5.42	26.60	29.36	6.97	7.35	36.89	9.65
2846	6.53	26.60	35.36	8.04	8.46	30.89	10.96
2850	7.64	26.60	41.36	9.12	9.57	24.89	12.28
2856	8.75	26.60	47.36	10.19	10.68	18.89	13.59
2860	9.86	26.60	53.36	11.26	11.79	36.89	14.90
2866	10.96	26.60	59.36	12.34	12.89	30.89	16.21
2870	12.07	26.60	65.36	13.41	14.00	24.89	17.53
2876	13.18	26.60	71.36	14.48	15.11	18.89	18.84
3036	4.54	30.60	21.36	6.73	7.09	42.89	9.29
3040	5.81	30.60	27.36	7.97	8.37	36.89	10.77
3046	7.09	30.60	33.36	9.21	9.64	30.89	12.25
3050	8.36	30.60	39.36	10.45	10.92	24.89	13.73
3056	9.64	30.60	45.36	11.68	12.19	18.89	15.21
3060	10.91	30.60	51.36	12.92	13.47	36.89	16.69
3066	12.19	30.60	57.36	14.16	14.74	30.89	18.17
3070	13.46	30.60	63.36	15.40	16.02	24.89	19.65
3076	14.74	30.60	69.36	16.64	17.29	18.89	21.13
3640	6.19	36.60	24.36	9.41	9.84	36.89	12.41
3646	7.72	36.60	30.36	10.90	11.37	30.89	14.14
3650	9.24	36.60	36.36	12.39	12.89	24.89	15.86
3656	10.77	36.60	42.36	13.88	14.42	18.89	17.59
3660	12.29	36.60	48.36	15.37	15.94	36.89	19.32
3666	13.82	36.60	54.36	16.86	17.47	30.89	21.05
3670	15.34	36.60	60.36	18.35	18.99	24.89	22.78
3676	16.87	36.60	66.36	19.84	20.52	18.89	24.51

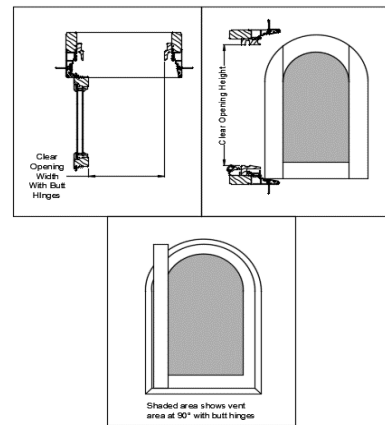
Shaded sizes meet or exceed egress opening requirements per 2015 IBC (International Building Code) minimum dimensions of 20" clear opening width, 24" clear opening height, 5.7 sq. ft. clear opening and floor to bottom of clear opening not to exceed 44".

^a Floor to bottom of clear opening dimensions are based on 82" jamb height of a 6-10 door.

All units over 66" RO height are based off 106" jamb height for floor to clear opening dimension

^b Sq. Ft. Overall Unit Area is calculated on the jamb dimension.

Clear openings are calculated with the sash open to approximately 82°, which may limit emergency escape and rescue compatibility. Check with your local building code official to verify compliance.



The requirements outlined above for the major US building codes can be modified by local jurisdictions. Therefore, it is important to check local codes in the areas in which the product is to be installed.

The Weather Shield Contemporary Collection

PUSH OUT CASEMENT WINDOWS (8213)

Opening Specifications

CASEMENT

Call Size	Sq. Ft. Clear Opening	Clear Opening		Sq. Ft. Daylight Opening	Sq. Ft. Vent	Floor to Bottom of Clear Opening ^a	Sq. Ft. Overall Unit Area ^b
		Width	Height				
1620	1.29	9.41	19.69	1.45	1.61	60.75	2.86
1626	1.68	9.41	25.69	1.94	2.10	54.75	3.59
1630	2.07	9.41	31.69	2.43	2.59	48.75	4.31
1636	2.46	9.41	37.69	2.92	3.08	42.75	5.04
1640	2.85	9.41	43.69	3.41	3.56	36.75	5.77
1646	3.25	9.41	49.69	3.90	4.05	30.75	6.50
1650	3.64	9.41	55.69	4.39	4.54	24.75	7.23
1656	4.03	9.41	61.69	4.88	5.03	18.75	7.96
1660	4.42	9.41	67.69	5.37	5.52	36.75	8.69
1666	4.81	9.41	73.69	5.85	6.01	30.75	9.42
1670	5.21	9.41	79.69	6.34	6.50	24.75	10.15
1820	1.56	11.40	19.69	1.69	1.88	60.75	3.18
1826	2.03	11.40	25.69	2.27	2.45	54.75	3.99
1830	2.51	11.40	31.69	2.84	3.03	48.75	4.81
1836	2.98	11.40	37.69	3.41	3.60	42.75	5.62
1840	3.46	11.40	43.69	3.99	4.17	36.75	6.43
1846	3.93	11.40	49.69	4.56	4.74	30.75	7.24
1850	4.41	11.40	55.69	5.13	5.32	24.75	8.06
1856	4.88	11.40	61.69	5.71	5.89	18.75	8.87
1860	5.36	11.40	67.69	6.28	6.46	36.75	9.68
1866	5.83	11.40	73.69	6.85	7.04	30.75	10.49
1870	6.31	11.40	79.69	7.42	7.61	24.75	11.31
2020	2.10	15.38	19.69	2.19	2.43	60.75	3.84
2026	2.74	15.38	25.69	2.93	3.17	54.75	4.81
2030	3.38	15.38	31.69	3.67	3.91	48.75	5.79
2036	4.03	15.38	37.69	4.41	4.65	42.75	6.77
2040	4.67	15.38	43.69	5.15	5.39	36.75	7.75
2046	5.31	15.38	49.69	5.89	6.12	30.75	8.73
2050	5.95	15.38	55.69	6.63	6.86	24.75	9.71
2056	6.59	15.38	61.69	7.37	7.60	18.75	10.69
2060	7.23	15.38	67.69	8.10	8.34	36.75	11.67
2066	7.87	15.38	73.69	8.84	9.08	30.75	12.65
2070	8.51	15.38	79.69	9.58	9.82	24.75	13.63
2420	2.65	19.37	19.69	2.68	2.97	60.75	4.49
2426	3.46	19.37	25.69	3.59	3.88	54.75	5.63
2430	4.26	19.37	31.69	4.49	4.79	48.75	6.78
2436 ^c	5.75	21.97	37.69	5.40	5.69	42.75	7.93
2440 ^c	6.66	21.97	43.69	6.31	6.60	36.75	9.07
2446 ^c	7.58	21.97	49.69	7.21	7.50	30.75	10.22
2450 ^c	8.50	21.97	55.69	8.12	8.41	24.75	11.36
2456 ^c	9.41	21.97	61.69	9.02	9.32	18.75	12.51
2460 ^c	10.33	21.97	67.69	9.93	10.22	36.75	13.65
2466 ^c	11.24	21.97	73.69	10.84	11.13	30.75	14.80
2470 ^c	12.16	21.97	79.69	11.74	12.04	24.75	15.95

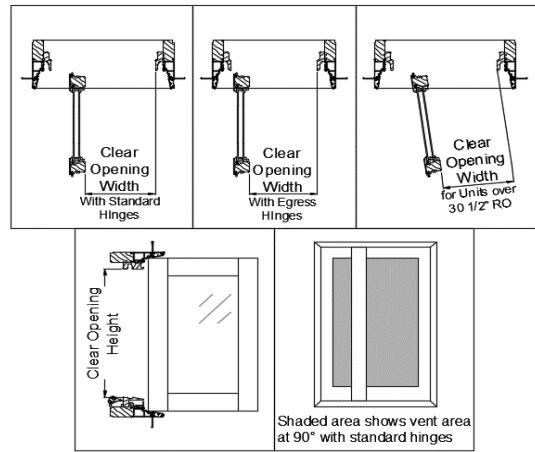
Shaded sizes meet or exceed egress opening requirements per 2015 IBC (International Building Code) minimum dimensions of 20" clear opening width, 24" clear opening height, 5.7 sq. ft. clear opening and floor to bottom of clear opening not to exceed 44".

^a Floor to bottom of clear opening dimensions are based on 82" jamb height of a 6-10 door.

All units over 66" RO height are based off 106" jamb height for floor to clear opening dimension

^b Sq. Ft. Overall Unit Area is calculated on the jamb dimension.

^c These units are standard with egress hinges



The requirements outlined above for the major US building codes can be modified by local jurisdictions. Therefore, it is important to check local codes in the areas in which the product is to be installed.

The Weather Shield Contemporary Collection

PUSH OUT CASEMENT WINDOWS (8213)

Opening Specifications

CASEMENT

Call Size	Sq. Ft. Clear Opening	Clear Opening		Sq. Ft. Daylight Opening	Sq. Ft. Vent	Floor to Bottom of Clear Opening ^a	Sq. Ft. Overall Unit Area ^b
		Width	Height				
2620	2.81	20.57	19.69	2.93	3.25	60.75	4.81
2626	3.67	20.57	25.69	3.92	4.24	54.75	6.04
2630	4.53	20.57	31.69	4.91	5.23	48.75	7.27
2636 ^c	6.27	23.97	37.69	5.90	6.22	42.75	8.50
2640	6.24	20.57	43.69	6.89	7.21	36.75	9.73
2646	7.10	20.57	49.69	7.88	8.19	30.75	10.96
2650	7.96	20.57	55.69	8.87	9.18	24.75	12.19
2656	8.81	20.57	61.69	9.85	10.17	18.75	13.42
2660	9.67	20.57	67.69	10.84	11.16	36.75	14.65
2666	10.53	20.57	73.69	11.83	12.15	30.75	15.88
2670	11.38	20.57	79.69	12.82	13.14	24.75	17.11
2820	3.01	22.05	19.69	3.17	3.52	60.75	5.14
2826	3.93	22.05	25.69	4.25	4.59	54.75	6.45
2830	4.85	22.05	31.69	5.32	5.67	48.75	7.77
2836	6.79	25.96	37.69	6.39	6.74	42.75	9.08
2840	6.69	22.05	43.69	7.47	7.81	36.75	10.39
2846	7.61	22.05	49.69	8.54	8.88	30.75	11.70
2850	8.53	22.05	55.69	9.61	9.96	24.75	13.02
2856	9.45	22.05	61.69	10.68	11.03	18.75	14.33
2860	10.37	22.05	67.69	11.76	12.10	36.75	15.64
2866	11.28	22.05	73.69	12.83	13.18	30.75	16.95
2870	12.20	22.05	79.69	13.90	14.25	24.75	18.27
3020	3.56	26.05	19.69	3.67	4.07	60.75	5.79
3026	4.65	26.05	25.69	4.91	5.31	54.75	7.27
3030 ^d	6.59	29.96	31.69	6.15	6.55	48.75	8.75
3036	6.82	26.05	37.69	7.39	7.79	42.75	10.23
3040	7.90	26.05	43.69	8.63	9.03	36.75	11.71
3046	8.99	26.05	49.69	9.87	10.27	30.75	13.19
3050	10.07	26.05	55.69	11.10	11.50	24.75	14.67
3056	11.16	26.05	61.69	12.34	12.74	18.75	16.15
3060	12.24	26.05	67.69	13.58	13.98	36.75	17.63
3066	13.33	26.05	73.69	14.82	15.22	30.75	19.11
3070	14.41	26.05	79.69	16.06	16.46	24.75	20.59
3620	4.38	32.04	19.69	4.41	4.89	60.75	6.77
3626 ^d	5.72	32.04	25.69	5.90	6.38	54.75	8.50
3630 ^d	7.05	32.04	31.69	7.39	7.87	48.75	10.23
3636	8.39	32.04	37.69	8.88	9.36	42.75	11.96
3640	9.72	32.04	43.69	10.37	10.85	36.75	13.69
3646	11.06	32.04	49.69	11.85	12.34	30.75	15.42
3650	12.39	32.04	55.69	13.34	13.82	24.75	17.15
3656	13.73	32.04	61.69	14.83	15.31	18.75	18.88
3660	15.06	32.04	67.69	16.32	16.80	36.75	20.61
3666	16.40	32.04	73.69	17.81	18.29	30.75	22.34
3670	17.73	32.04	79.69	19.30	19.78	24.75	24.06

Shaded sizes meet or exceed egress opening requirements per 2015 IBC (International Building Code) minimum dimensions of 20" clear opening width, 24" clear opening height, 5.7 sq. ft. clear opening and floor to bottom of clear opening not to exceed 44".

^a Floor to bottom of clear opening dimensions are based on 82" jamb height of a 6-10 door.

All units over 66" RO height are based off 106" jamb height for floor to clear opening dimension

^b Sq. Ft. Overall Unit Area is calculated on the jamb dimension.

^c These units are standard with egress hinges

^d These windows meet or exceed emergency escape and rescue opening requirements if installed lower in the wall so the "Floor to Bottom of Clear Opening Height" does not exceed 44".

Most units 30.5" or wider in rough opening width are manufactured with a 14" hinge. Sash opens to approximately 82° at full opening, which could limit emergency escape and rescue compatibility. Clear opening width values for these are calculated parallel to the sash. Check with your local building inspector to verify allowance

The requirements outlined above for the major US building codes can be modified by local jurisdictions. Therefore, it is important to check local codes in the areas in which the product is to be installed.

The Weather Shield Contemporary Collection

EYEBROW PUSH OUT CASEMENT WINDOWS (8213)

Opening Specifications

CASEMENT

Call Size	Sq. Ft. Clear Opening	Clear Opening		Sq. Ft. Daylight Opening	Sq. Ft. Vent	Floor to Bottom of Clear Opening ^a	Sq. Ft. Overall Unit Area ^b
		Width	Height				
2030	3.60	18.60	29.02	3.52	3.60	48.89	5.63
2036	4.34	18.60	35.02	4.23	4.34	42.89	6.61
2040	5.09	18.60	41.02	4.94	5.09	36.89	7.59
2046	5.83	18.60	47.02	5.65	5.83	30.89	8.57
2050	6.57	18.60	53.02	6.36	6.57	24.89	9.55
2056	7.32	18.60	59.02	7.07	7.32	18.89	10.53
2060	8.06	18.60	65.02	7.78	8.06	36.89	11.51
2066	8.81	18.60	71.02	8.49	8.81	30.89	12.49
2070	9.55	18.60	77.02	9.20	9.55	24.89	13.47
2430	4.37	22.60	29.02	4.31	4.37	48.89	6.53
2436	5.28	22.60	35.02	5.18	5.28	42.89	7.68
2440	6.18	22.60	41.02	6.05	6.18	36.89	8.83
2446	7.08	22.60	47.02	6.92	7.08	30.89	9.97
2450	7.99	22.60	53.02	7.79	7.99	24.89	11.12
2456	8.89	22.60	59.02	8.66	8.89	18.89	12.26
2460	9.80	22.60	65.02	9.53	9.80	36.89	13.41
2466	10.70	22.60	71.02	10.40	10.70	30.89	14.55
2470	11.60	22.60	77.02	11.27	11.60	24.89	15.70
2630	4.76	24.60	29.02	4.71	4.76	48.89	6.98
2636	5.74	24.60	35.02	5.66	5.74	42.89	8.21
2640	6.73	24.60	41.02	6.61	6.73	36.89	9.44
2646	7.71	24.60	47.02	7.56	7.71	30.89	10.67
2650	8.69	24.60	53.02	8.51	8.69	24.89	11.90
2656	9.68	24.60	59.02	9.46	9.68	18.89	13.13
2660	10.66	24.60	65.02	10.41	10.66	36.89	14.36
2666	11.65	24.60	71.02	11.36	11.65	30.89	15.59
2670	12.63	24.60	77.02	12.31	12.63	24.89	16.82
2830	5.15	26.60	29.02	5.11	5.15	48.89	7.43
2836	6.21	26.60	35.02	6.14	6.21	42.89	8.75
2840	7.27	26.60	41.02	7.17	7.27	36.89	10.06
2846	8.34	26.60	47.02	8.20	8.34	30.89	11.37
2850	9.40	26.60	53.02	9.23	9.40	24.89	12.68
2856	10.47	26.60	59.02	10.26	10.47	18.89	14.00
2860	11.53	26.60	65.02	11.29	11.53	36.89	15.31
2866	12.59	26.60	71.02	12.32	12.59	30.89	16.62
2870	13.66	26.60	77.02	13.35	13.66	24.89	17.93
3030°	5.92	30.60	29.02	5.90	5.92	48.89	8.34
3036	7.14	30.60	35.02	7.09	7.14	42.89	9.81
3040	8.37	30.60	41.02	8.28	8.37	36.89	11.29
3046	9.59	30.60	47.02	9.47	9.59	30.89	12.77
3050	10.82	30.60	53.02	10.66	10.82	24.89	14.25
3056	12.04	30.60	59.02	11.85	12.04	18.89	15.73
3060	13.26	30.60	65.02	13.04	13.26	36.89	17.21
3066	14.49	30.60	71.02	14.23	14.49	30.89	18.69
3070	15.71	30.60	77.02	15.42	15.71	24.89	20.17
3630°	7.08	36.60	29.02	7.09	7.08	48.89	9.69
3636	8.54	36.60	35.02	8.52	8.54	42.89	11.42
3640	10.01	36.60	41.02	9.95	10.01	36.89	13.15
3646	11.47	36.60	47.02	11.38	11.47	30.89	14.87
3650	12.94	36.60	53.02	12.81	12.94	24.89	16.60
3656	14.40	36.60	59.02	14.24	14.40	18.89	18.33
3660	15.86	36.60	65.02	15.67	15.86	36.89	20.06
3666	17.33	36.60	71.02	17.10	17.33	30.89	21.79
3670	18.79	36.60	77.02	18.53	18.79	24.89	23.52

Shaded sizes meet or exceed egress opening requirements per 2015 IBC (International Building Code) minimum dimensions of 20" clear opening width, 24" clear opening height, 5.7 sq. ft. clear opening and floor to bottom of clear opening not to exceed 44".

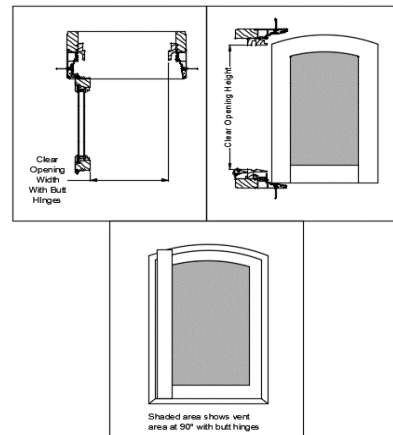
^a Floor to bottom of clear opening dimensions are based on 82" jamb height of a 6-10 door.

All units over 66" RO height are based off 106" jamb height for floor to clear opening dimension

^b Sq. Ft. Overall Unit Area is calculated on the jamb dimension.

^c These windows meet or exceed emergency escape and rescue opening requirements if installed lower in the wall so the "Floor to Bottom of Clear Opening Height" does not exceed 44".

Clear openings are calculated with the sash open to approximately 82°, which may limit emergency escape and rescue compatibility. Check with your local building code official to verify compliance.



The requirements outlined above for the major US building codes can be modified by local jurisdictions. Therefore, it is important to check local codes in the areas in which the product is to be installed.

The Weather Shield Contemporary Collection

FRENCH CASEMENT WINDOWS (8214)

Opening Specifications

CASEMENT

Call Size	Sq. Ft. Clear Opening 1 Sash Open	Clear Opening 1 Sash Open		Sq. Ft. Daylight Opening	Sq. Ft. Vent 2 Sash Open	Floor to Bottom of Clear Opening ^a	Sq. Ft. Overall Unit Area ^b
		Width	Height				
1830	2.96	13.43	31.69	5.86	6.96	48.06	9.63
1836	3.51	13.43	37.69	7.04	8.28	42.06	11.26
1840	4.07	13.43	43.69	8.23	9.60	36.06	12.89
1846	4.63	13.43	49.69	9.41	10.91	30.06	14.51
1850	5.19	13.43	55.69	10.59	12.23	24.06	16.14
1856	5.75	13.43	61.69	11.77	13.55	18.06	17.77
1860	6.31	13.43	67.69	12.96	14.87	12.06	19.40
2030	3.83	17.40	31.69	7.51	8.72	48.06	11.60
2036	4.55	17.40	37.69	9.03	10.37	42.06	13.56
2040	5.28	17.40	43.69	10.55	12.02	36.06	15.52
2046	6.00	17.40	49.69	12.06	13.67	30.06	17.49
2050	6.73	17.40	55.69	13.58	15.32	24.06	19.45
2056	7.45	17.40	61.69	15.09	16.98	18.06	21.41
2060	8.18	17.40	67.69	16.61	18.63	12.06	23.37
2430	4.70	21.38	31.69	9.17	10.48	48.06	13.57
2436	5.59	21.38	37.69	11.02	12.46	42.06	15.87
2440	6.48	21.38	43.69	12.87	14.45	36.06	18.16
2446	7.38	21.38	49.69	14.71	16.43	30.06	20.46
2450	8.27	21.38	55.69	16.56	18.42	24.06	22.75
2456	9.16	21.38	61.69	18.41	20.40	18.06	25.05
2460	10.05	21.38	67.69	20.26	22.39	12.06	27.34
2630	5.14	23.37	31.69	9.99	11.36	48.06	14.56
2636	6.12	23.37	37.69	12.01	13.51	42.06	17.02
2640	7.09	23.37	43.69	14.03	15.66	36.06	19.48
2646	8.06	23.37	49.69	16.04	17.81	30.06	21.94
2650	9.04	23.37	55.69	18.06	19.96	24.06	24.40
2656	10.01	23.37	61.69	20.07	22.12	18.06	26.87
2660	10.98	23.37	67.69	22.09	24.27	12.06	29.33
2830	5.03	22.88	31.69	10.82	12.24	48.06	15.55
2836	5.99	22.88	37.69	13.00	14.56	42.06	18.17
2840	6.94	22.88	43.69	15.19	16.88	36.06	20.80
2846	7.89	22.88	49.69	17.37	19.19	30.06	23.43
2850	8.85	22.88	55.69	19.55	21.51	24.06	26.06
2856	9.80	22.88	61.69	21.73	23.83	18.06	28.68
2860	10.75	22.88	67.69	23.91	26.15	12.06	31.31
3030 ^c	5.91	26.87	31.69	12.47	14.00	48.06	17.52
3036	7.03	26.87	37.69	14.99	16.65	42.06	20.48
3040	8.15	26.87	43.69	17.50	19.30	36.06	23.44
3046	9.27	26.87	49.69	20.02	21.95	30.06	26.40
3050	10.39	26.87	55.69	22.54	24.61	24.06	29.36
3056	11.51	26.87	61.69	25.05	27.26	18.06	32.32
3060	12.63	26.87	67.69	27.57	29.91	12.06	35.28

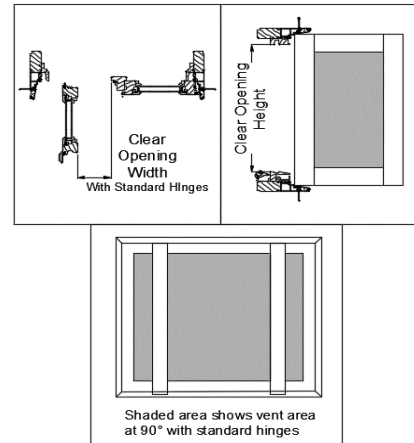
Shaded sizes meet or exceed egress opening requirements per 2015 IBC (International Building Code) minimum dimensions of 20" clear opening width, 24" clear opening height, 5.7 sq. ft. clear opening and floor to bottom of clear opening not to exceed 44".

^a Floor to bottom of clear opening dimensions are based on 82" jamb height of a 6-10 door.

^b Sq. Ft. Overall Unit Area is calculated on the jamb dimension.

^c These windows meet or exceed emergency escape and rescue opening requirements if installed lower in the wall so the "Floor to Bottom of Clear Opening Height" does not exceed 44".

Units 2-8 or wider call-out width are manufactured with a 14" hinge. Sash opens to approximately 82° at full opening, which could limit emergency escape and rescue compatibility. Clear opening width values for these are calculated parallel to the sash. Check with your local building inspector to verify allowance



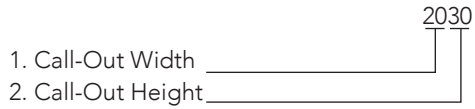
The requirements outlined above for the major US building codes can be modified by local jurisdictions. Therefore, it is important to check local codes in the areas in which the product is to be installed.

Awning Windows Table of Contents

Awning Windows Footnotes	38	Awning Windows Cross Sections.....	41
Awning Windows Quick Spec Guide	39	Awning Windows Opening Specifications	43
Awning Windows Elevations	40		

Size Codes:

The Weather Shield size code uses meaningful characters to denote standard sizes. For example:



Product Information:

- Awnings may not be considered emergency and rescue windows.

The Weather Shield Contemporary Collection

AWNING WINDOWS (8211/8216)

Quick Spec Guide

SPECIFICATION	STANDARD FEATURES	OPTIONAL FEATURES
EXTERIOR FINISH	<ul style="list-style-type: none"> • White • Cameo • Tan • Desert Tan • Heritage Brown • Adobe 	<ul style="list-style-type: none"> • Craftsman Bronze • Brick Red • Hartford Green • Gray Matters • Obsidian • Jet Black
EXTERIOR TRIM	<ul style="list-style-type: none"> • Integral Nail Fin • Drip Cap 	<ul style="list-style-type: none"> • 4 Radiant Metallic • 45 Designer • 8 Anodized • Custom Color
EXTERIOR TRIM	<ul style="list-style-type: none"> • 7/8" Brickmold • 1-11/16" Brickmold • 1-11/16" Flat Casing • 3-5/16" Flat Casing • Historical Brickmold 	<ul style="list-style-type: none"> • 3/4" Sill Nosing • 1" Bull Nose • 1" Full Round Bull Nose • 2" Bull Nose
INTERIOR FINISH	<ul style="list-style-type: none"> • Natural 	<ul style="list-style-type: none"> • Stained & Sealed – 5 Standard / 10 Designer • Primed • Prefinished White & Black • Poly – 12 Standard / 45 Designer
INTERIOR SPECIES	<ul style="list-style-type: none"> • Pine 	<ul style="list-style-type: none"> • Oak • Maple • Alder (Character) • Cherry • Mahogany • Douglas Fir
SIZE	<ul style="list-style-type: none"> • Width 1-6, 1-8, 2-0, 2-4, 2-6, 2-8, 3-0, 3-6, 4-0, 4-6, 5-0 • Height 1-6, 1-8, 2-0, 2-6, 3-0, 3-6, 4-0 	<ul style="list-style-type: none"> • Any jamb width: 17-1/2" to 59-1/2" • Any jamb height: 17-1/2" to 59-1/2"
FRAME PROFILE	<ul style="list-style-type: none"> • Shadowline frame (8211) 	<ul style="list-style-type: none"> • Flush Frame (8216)
GLAZING	<ul style="list-style-type: none"> • Low-E Insulating Glass 	<ul style="list-style-type: none"> • Clear IG • Low-E 240 • Zo-e-shield 5 • Zo-e-shield Extreme • Zo-e Shield 6 (laminated) • Grey or Bronze Tint • Obscure • Tempered
GRILLES		<ul style="list-style-type: none"> • GBG: 5/8" Flat or 11/16" Sculptured • SDL: 5/8", 7/8", 1-1/8", 2"
HARDWARE	<ul style="list-style-type: none"> • Nested Crank Handle • Contemporary Hardware Style • Concealed Locking System • Handle and Cover Ship Separately 	<ul style="list-style-type: none"> • Traditional Hardware Style • Seacoast • Handle and Cover Applied
HARDWARE COLOR	<ul style="list-style-type: none"> • Tan • Rustic Bronze • White • Black 	<ul style="list-style-type: none"> • Brushed Nickel • Bright Brass
JAMB	<ul style="list-style-type: none"> • 4-9/16" 	<ul style="list-style-type: none"> • 3-1/16 Min • 12" Max
SCREENS	<ul style="list-style-type: none"> • No-See-um Mesh 	<ul style="list-style-type: none"> • Aluminum Non-Glare • Retractable Screen
SCREEN FRAME COLOR	<ul style="list-style-type: none"> • Tan • Craftsman Bronze • White • Jet Black 	<ul style="list-style-type: none"> • Champagne Anodized • Clear Anodized • Bright Brass • Wood Wrapped

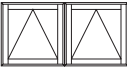
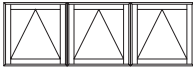
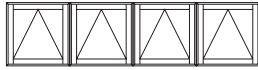
AWNING

The Weather Shield Contemporary Collection

AWNING WINDOWS (8211/8216)

Elevations

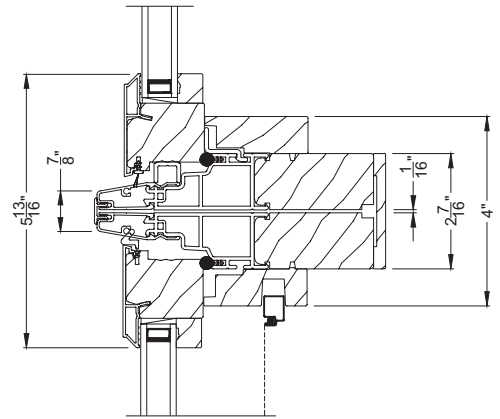
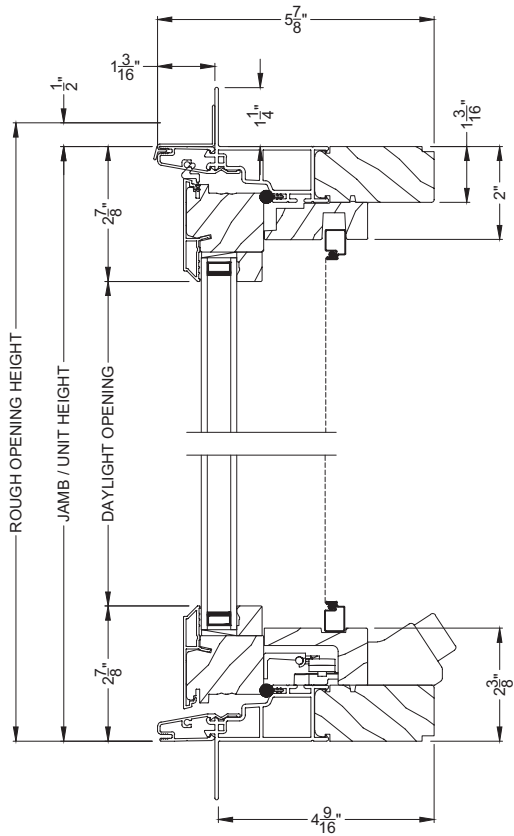
Unit Dimension	1'-5 1/2"	1'-7 1/2"	1'-11 1/2"	2'-3 1/2"	2'-5 1/2"	2'-7 1/2"	2'-11 1/2"	3'-5 1/2"	3'-11 1/2"	4'-5 1/2"	4'-11 1/2"
Rough Opening	1'-6"	1'-8"	2'-0"	2'-4"	2'-6"	2'-8"	3'-0"	3'-6"	4'-0"	4'-6"	5'-0"
Soft Metric R.O. (mm)	457	508	610	711	762	813	914	1067	1219	1372	1524
Glass Size	12 3/4"	14 3/4"	18 3/4"	22 3/4"	24 3/4"	26 3/4"	30 3/4"	36 3/4"	42 3/4"	48 3/4"	54 3/4"
1616	1816	2016	2416	2616	2816	3016	3616	4016	4616	5016	
1618	1818	2018	2418	2618	2818	3018	3618	4018	4618	5018	
1620	1820	2020	2420	2620	2820	3020	3620	4020	4620	5020	
1626	1826	2026	2426	2626	2826	3026	3626	4026	4626	5026	
1630	1830	2030	2430	2630	2830	3030	3630	4030	4630	5030	
1636	1836	2036	2436	2636	2836	3036	3636	4036	4636	5036	
1640	1840	2040	2440	2640	2840	3040	3640	4040	4640	5040	
1646	1846	2046	2446	2646	2846	3046	3646	4046	4646	5046	
1650	1850	2050	2450	2650	2850	3050	3650	4050	4650	5050	

 2 - Wide Width Dimensions				 3 - Wide Width Dimensions				 4 - Wide Width Dimensions			
Base Code	Unit Dimension (Frame Size)	Rough Opening	Soft Metric R.O. (mm)	Base Code	Unit Dimension (Frame Size)	Rough Opening	Soft Metric R.O. (mm)	Base Code	Unit Dimension (Frame Size)	Rough Opening	Soft Metric R.O. (mm)
W2-16	2'-11 1/16"	2'-11 9/16"	903	AW3-16	4'-4 5/8"	4'-5 1/8"	1235	AW4-16	5'-10 3/16"	5'-10 11/16"	1796
W2-18	3'-3 1/16"	3'-3 9/16"	1005	AW3-18	4'-10 5/8"	4'-11 1/8"	1502	AW4-18	6'-6 3/16"	6'-6 11/16"	1999
W2-20	3'-11 1/16"	3'-11 9/16"	1208	AW3-20	5'-10 5/8"	5'-11 1/8"	1807	AW4-20	7'-10 3/16"	7'-10 11/16"	2405
W2-24	4'-7 1/16"	4'-7 9/16"	1411	AW3-24	6'-10 5/8"	6'-11 1/8"	2111	AW4-24	9'-2 3/16"	9'-2 11/16"	2812
W2-26	4'-11 1/16"	4'-11 9/16"	1513	AW3-26	7'-4 5/8"	7'-5 1/8"	2264	AW4-26	9'-10 3/16"	9'-10 11/16"	3015
W2-28	5'-3 1/16"	5'-3 9/16"	1615	AW3-28	7'-10 5/8"	7'-11 1/8"	2416	AW4-28	10'-6 3/16"	10'-6 11/16"	3218
W2-30	5'-11 1/16"	5'-11 9/16"	1818	AW3-30	8'-10 5/8"	8'-11 1/8"	2721	AW4-30	11'-10 3/16"	11'-10 11/16"	3320
W2-36	6'-11 1/16"	6'-11 9/16"	2123	AW3-36	10'-4 5/8"	10'-5 1/8"	3178				
W2-40	7'-11 1/16"	7'-11 9/16"	2427	AW3-40	11'-10 5/8"	11'-11 1/8"	3635				
W2-46	8'-11 1/16"	8'-11 9/16"	2732								
W2-50	9'-11 1/16"	9'-11 9/16"	3037								
W2-56	10'-11 1/16"	10'-11 9/16"	3342								
W2-60	11'-11 1/16"	11'-11 9/16"	3646								

The Weather Shield Contemporary Collection

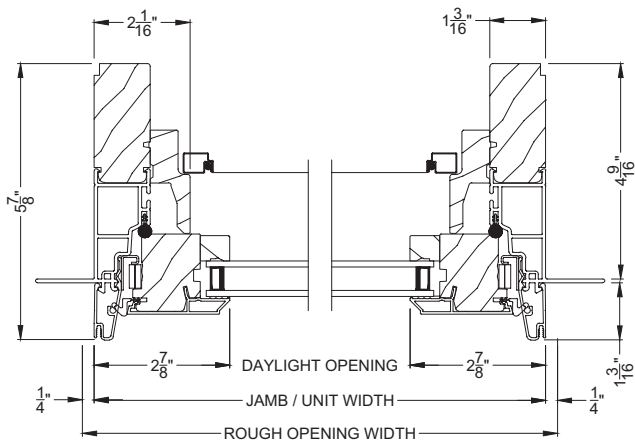
AWNING WINDOWS (8211)

Cross Sections

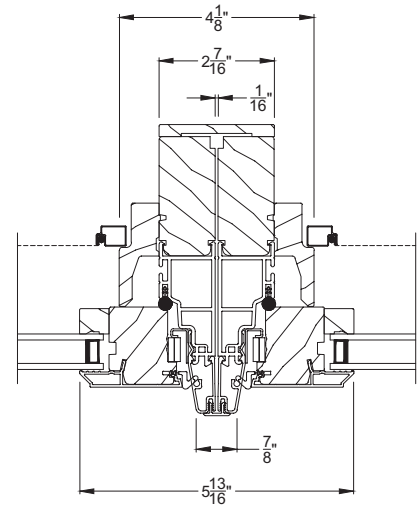


CONTEMPORARY AWNING WINDOW
Vertical Section - Transom Stack over Awning

CONTEMPORARY AWNING WINDOW (8211)
Vertical Section - Shadow-Line Frame



CONTEMPORARY AWNING WINDOW (8211)
Horizontal Section - Shadow-Line Frame



CONTEMPORARY AWNING WINDOW
Horizontal Mull Section

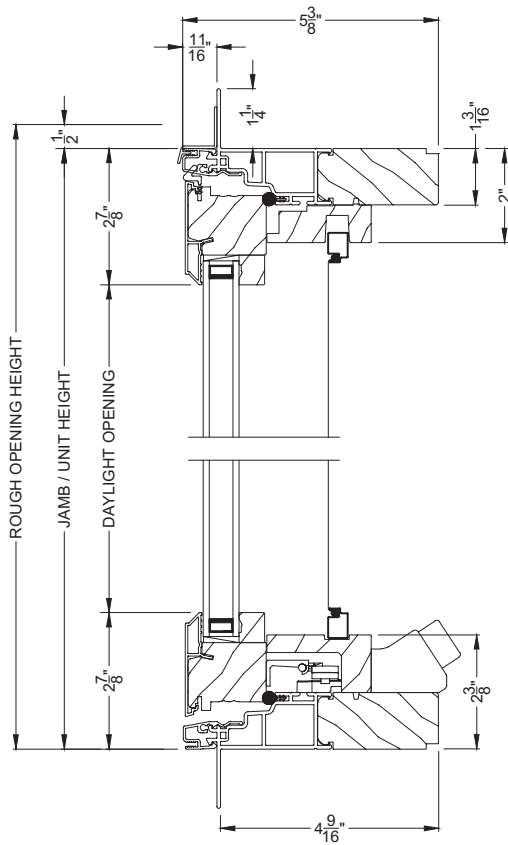
AWNING

The Weather Shield Contemporary Collection

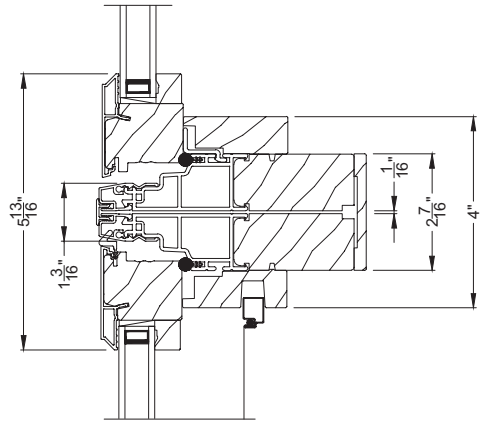
AWNING WINDOWS (8216)

Cross Sections

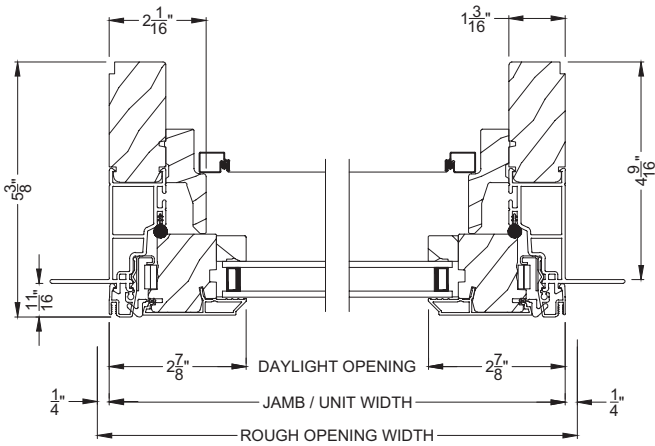
AWNING



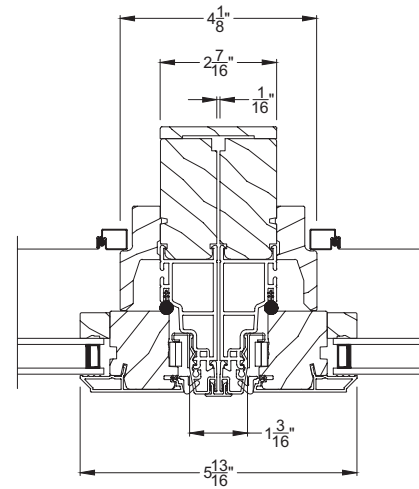
CONTEMPORARY AWNING WINDOW (8216)
Vertical Section - Flush Frame



CONTEMPORARY AWNING WINDOW
Vertical Section - Transom Stack over Awning



CONTEMPORARY AWNING WINDOW (8216)
Horizontal Section - Flush Frame



CONTEMPORARY AWNING WINDOW
Horizontal Mull Section

The Weather Shield Contemporary Collection

AWNING WINDOWS (8211/8216)

Opening Specifications

Call Size	Vent		Sq. Ft. Vent	Sq. Ft. Daylight Opening	Sq. Ft. Overall Unit Area ^b
	Width	Height			
1616	13.44	9.59	0.89	0.96	2.13
1618	13.44	11.59	1.08	1.12	2.37
1620	13.44	14.59	1.36	1.45	2.86
1626	13.44	20.59	1.92	1.94	3.59
1630	13.44	24.59	2.29	2.43	4.31
1636	13.44	30.59	2.85	2.92	5.04
1640	13.44	34.59	3.23	3.41	5.77
1816	15.44	9.59	1.03	1.12	2.37
1818	15.44	11.59	1.24	1.31	2.64
1820	15.44	14.59	1.56	1.69	3.18
1826	15.44	20.59	2.21	2.27	3.99
1830	15.44	24.59	2.64	2.84	4.81
1836	15.44	30.59	3.28	3.41	5.62
1840	15.44	34.59	3.71	3.99	6.43
2016	19.44	9.59	1.29	1.45	2.86
2018	19.44	11.59	1.56	1.69	3.18
2020	19.44	14.59	1.97	2.19	3.84
2026	19.44	20.59	2.78	2.93	4.81
2030	19.44	24.59	3.32	3.67	5.79
2036	19.44	30.59	4.13	4.41	6.77
2040	19.44	34.59	4.67	5.15	7.75
2416	23.44	9.59	1.56	1.77	3.34
2418	23.44	11.59	1.89	2.08	3.72
2420	23.44	14.59	2.37	2.68	4.49
2426	23.44	20.59	3.35	3.59	5.63
2430	23.44	24.59	4.00	4.49	6.78
2436	23.44	30.59	4.98	5.40	7.93
2440	23.44	34.59	5.63	6.31	9.07
2616	25.44	9.59	1.69	1.94	3.59
2618	25.44	11.59	2.05	2.27	3.99
2620	25.44	14.59	2.58	2.93	4.81
2626	25.44	20.59	3.64	3.92	6.04
2630	25.44	24.59	4.34	4.91	7.27
2636	25.44	30.59	5.40	5.90	8.50
2640	25.44	34.59	6.11	6.89	9.73
2816	27.44	9.59	1.83	2.10	3.83
2818	27.44	11.59	2.21	2.46	4.27
2820	27.44	14.59	2.78	3.17	5.14
2826	27.44	20.59	3.92	4.25	6.45
2830	27.44	24.59	4.68	5.32	7.77
2836	27.44	30.59	5.83	6.39	9.08
2840	27.44	34.59	6.59	7.47	10.39
3016	31.44	9.59	2.09	2.43	4.31
3018	31.44	11.59	2.53	2.84	4.81
3020	31.44	14.59	3.18	3.67	5.79
3026	31.44	20.59	4.49	4.91	7.27
3030	31.44	24.59	5.37	6.15	8.75
3036	31.44	30.59	6.68	7.39	10.23
3040	31.44	34.59	7.55	8.63	11.71
3616	37.44	9.59	2.49	2.92	5.04
3618	37.44	11.59	3.01	3.41	5.62
3620	37.44	14.59	3.79	4.41	6.77
3626	37.44	20.59	5.35	5.90	8.50
3630	37.44	24.59	6.39	7.39	10.23
3636	37.44	30.59	7.95	8.88	11.96
3640	37.44	34.59	8.99	10.37	13.69

Call Size	Vent		Sq. Ft. Vent	Sq. Ft. Daylight Opening	Sq. Ft. Overall Unit Area ^b
	Width	Height			
4016	43.44	9.59	2.89	3.41	5.77
4018	43.44	11.59	3.49	3.99	6.43
4020	43.44	14.59	4.40	5.15	7.75
4026	43.44	20.59	6.21	6.89	9.73
4030	43.44	24.59	7.42	8.63	11.71
4036	43.44	30.59	9.23	10.37	13.69
4040	43.44	34.59	10.43	12.10	15.67
4616	49.44	9.59	3.29	3.90	6.50
4618	49.44	11.59	3.98	4.56	7.24
4620	49.44	14.59	5.01	5.89	8.73
4626	49.44	20.59	7.07	7.88	10.96
4630	49.44	24.59	8.44	9.87	13.19
4636	49.44	30.59	10.50	11.85	15.42
4640	49.44	34.59	11.87	13.84	17.65
5016	55.44	9.59	3.69	4.39	7.23
5018	55.44	11.59	4.46	5.13	8.06
5020	55.44	14.59	5.62	6.63	9.71
5026	55.44	20.59	7.93	8.87	12.19
5030	55.44	24.59	9.46	11.10	14.67
5036	55.44	30.59	11.77	13.34	17.15
5040	55.44	34.59	13.31	15.58	19.63

^b Sq. Ft. Overall Unit Area is calculated on the jamb dimension.

Special Shape Windows Table of Contents

Special Shape & 90 Degree Windows Quick Spec Guide	45	90 Degree Windows Elevations.....	50
Special Shape Windows Elevations.....	46	90 Degree Windows Cross Sections	52
Special Shape Windows Cross Sections.....	47		

The Weather Shield Contemporary Collection

DIRECT-SET SPECIAL SHAPE WINDOWS (8306/8307/8312)

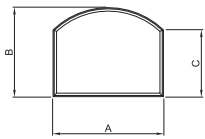
Quick Spec Guide

SPECIFICATION	STANDARD FEATURES	OPTIONAL FEATURES
EXTERIOR FINISH	<ul style="list-style-type: none"> • White • Cameo • Tan • Desert Tan • Heritage Brown • Adobe 	<ul style="list-style-type: none"> • Craftsman Bronze • Brick Red • Hartford Green • Gray Matters • Obsidian • Jet Black
EXTERIOR TRIM	<ul style="list-style-type: none"> • Integral Nail Fin 	<ul style="list-style-type: none"> • 4 Radiant Metallic • 45 Designer • 8 Anodized • Custom Color
EXTERIOR TRIM		<ul style="list-style-type: none"> • 7/8" Brickmold • 1-11/16" Brickmold • 1-11/16" Flat Casing • 3-5/16" Flat Casing • Historical Brickmold • 3/4" Sill Nosing • 1" Bull Nose • 1" Full Round Bull Nose • 2" Bull Nose
INTERIOR FINISH	<ul style="list-style-type: none"> • Natural 	<ul style="list-style-type: none"> • Stained & Sealed – 5 Standard / 10 Designer • Primed • Prefinished White & Black • Poly – 12 Standard / 45 Designer
INTERIOR SPECIES	<ul style="list-style-type: none"> • Pine 	<ul style="list-style-type: none"> • Oak • Maple • Alder (Character) • Cherry • Mahogany • Douglas Fir
SHAPE/SIZE	<p>Shapes available include, Diamond, Eyebrow, Eyebrow w/ legs, Flat Top Pentagon, Flat Top Trapezoid, Full Circle, Gothic, Gothic w/ legs, Half Circle, Half Circle w/ legs, Hexagon, Octagon, Parallelogram, Pentagon, Quarter Circle, Quarter Circle w/ legs, Quarter Eyebrow, Quarter Eyebrow w/ legs, Rectangle, Right Triangle, Trapezoid, Triangle</p>	<ul style="list-style-type: none"> • Custom jamb sizes from 7-13/16" to 142" • Minimum Radius is 12" • Minimum Corner Angle is 22 degrees:
JAMB THICKNESS	<ul style="list-style-type: none"> • 1-3/16" (8306, 8312) 	<ul style="list-style-type: none"> • 5/8" (8307)
FRAME PROFILE	<ul style="list-style-type: none"> • Shadowline Frame (8306, 8307) 	<ul style="list-style-type: none"> • Flush Frame (8312)
GLAZING	<ul style="list-style-type: none"> • Low-E Insulating Glass 	<ul style="list-style-type: none"> • Clear IG • Low-E 240 • Zo-e-shield 5 • Zo-e-shield Extreme • Zo-e Shield 6 (laminated) • Grey or Bronze Tint • Obscure • Tempered
GRILLES		<ul style="list-style-type: none"> • GBG: 5/8" Flat or 11/16" Sculptured • SDL: 5/8", 7/8", 1-1/8", 2"
JAMB	<ul style="list-style-type: none"> • 4-9/16" 	<ul style="list-style-type: none"> • 3-1/16 Min • 12" Max

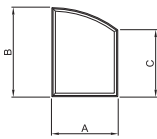
The Weather Shield Contemporary Collection

DIRECT-SET SPECIAL SHAPE WINDOWS (8306/8307/8312)

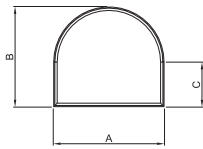
Elevations



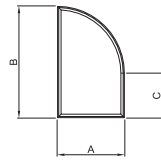
Eyebrow
with Extended Legs



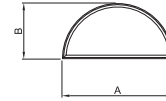
Quarter Eyebrow
with Extended Legs



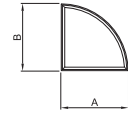
Half Circle
with Extended Legs



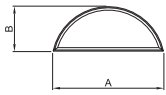
Quarter Circle
with Extended Legs



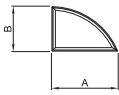
Half Circle



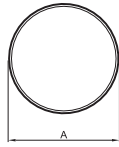
Quarter Circle



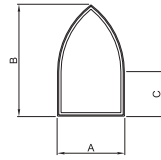
Archtop



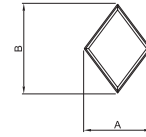
Quarter Archtop



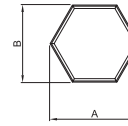
Full Circle



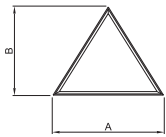
Gothic
with Extended Legs



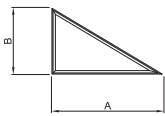
Diamond



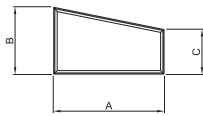
Hexagon



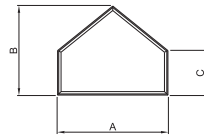
Isosceles Triangle



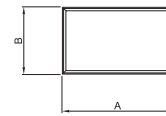
Right Triangle



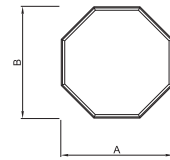
Trapezoid



Pentagon



Rectangle



Octagon

Direct-Set Special Shape (8306)
A - Rough Opening Width
B - Rough Opening Height
C - Rough Opening Leg

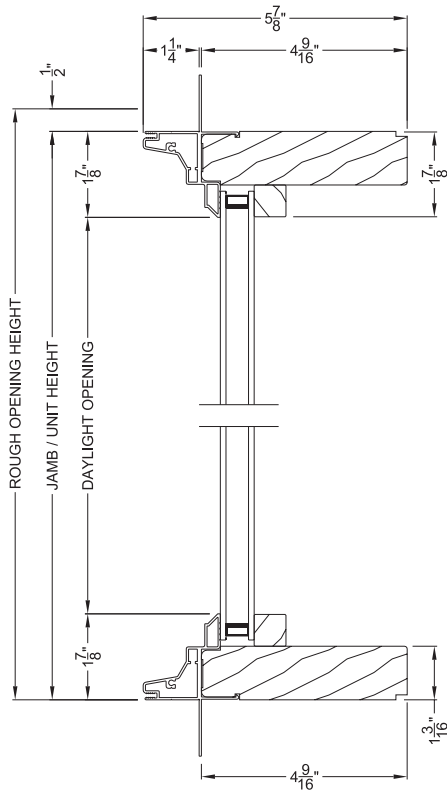
For availability of sizes and specialty shapes not shown contact Weather Shield

SPECIAL SHAPE

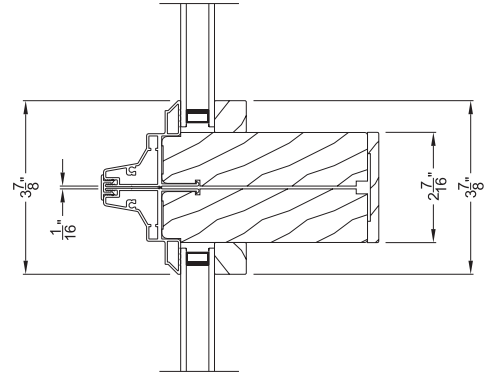
The Weather Shield Contemporary Collection

DIRECT-SET SPECIAL SHAPE WINDOWS (8306)

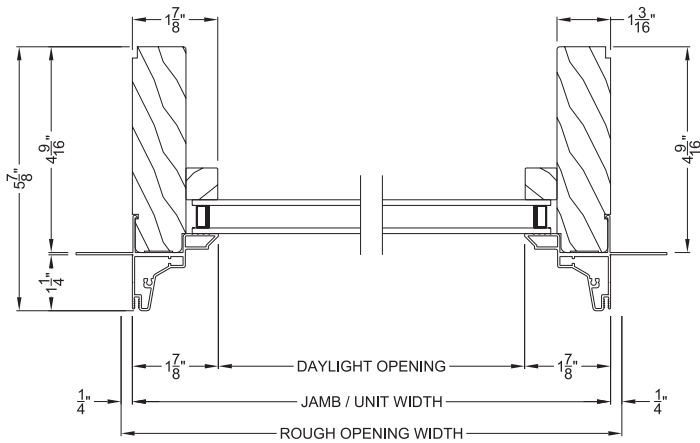
Cross Sections



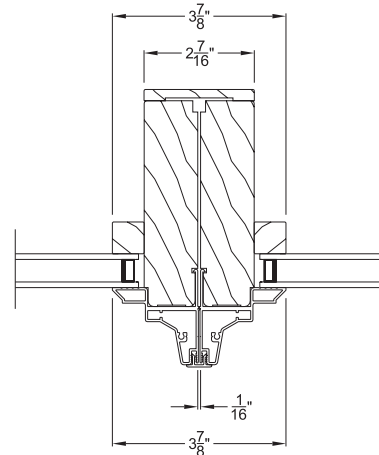
CONTEMPORARY DIRECT-SET (8306)
Vertical Section - Shadow-Line Frame



CONTEMPORARY DIRECT-SET
Horizontal Stack Section



CONTEMPORARY DIRECT-SET (8306)
Horizontal Section - Shadow-Line Frame



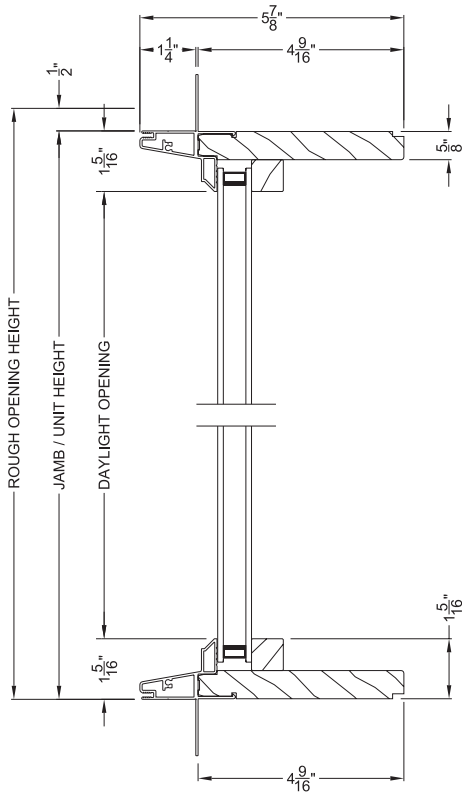
CONTEMPORARY DIRECT-SET
Vertical Mullion Section

Note: All dimensions are approximate. Weather Shield reserves the right to change specifications without notice.

The Weather Shield Contemporary Collection

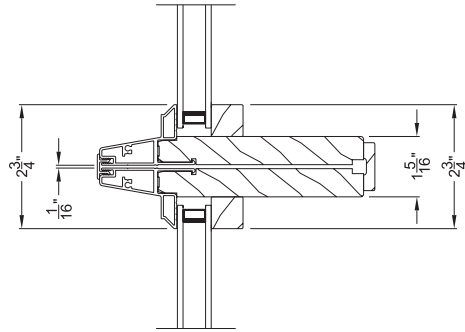
DIRECT-SET SPECIAL SHAPE WINDOWS (8307)

Cross Sections

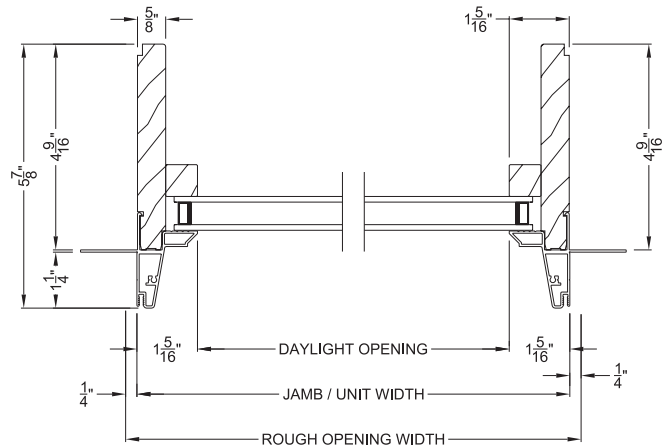


CONTEMPORARY DIRECT-SET (8307)
Vertical Section - Slim Frame

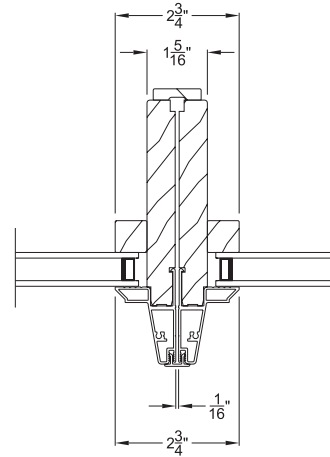
NOTE: Slim Frame Direct-set windows are not designed to be mulled with casements or awnings due to the narrow frame width. Slim Frame Direct-sets are intended to be stand alone or mulled to other Slim Frame Direct-sets.



CONTEMPORARY DIRECT-SET
Horizontal Stack Section



CONTEMPORARY DIRECT-SET (8307)
Horizontal Section - Slim Frame



CONTEMPORARY DIRECT-SET
Vertical Mullion Section

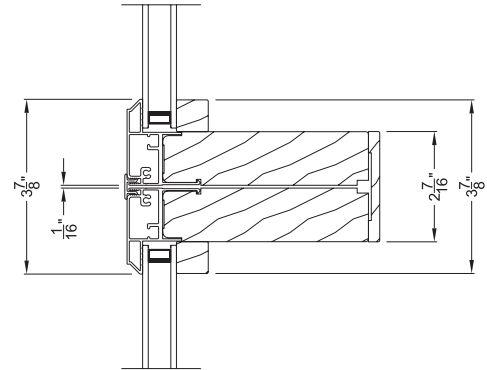
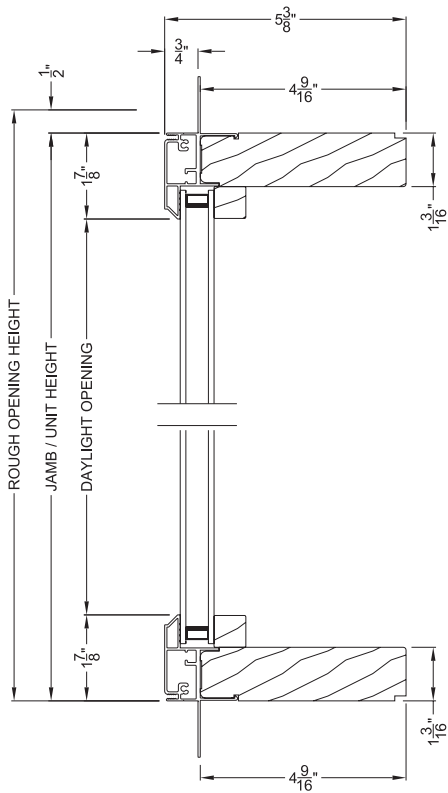
Note: All dimensions are approximate. Weather Shield reserves the right to change specifications without notice.

SPECIAL SHAPE

The Weather Shield Contemporary Collection

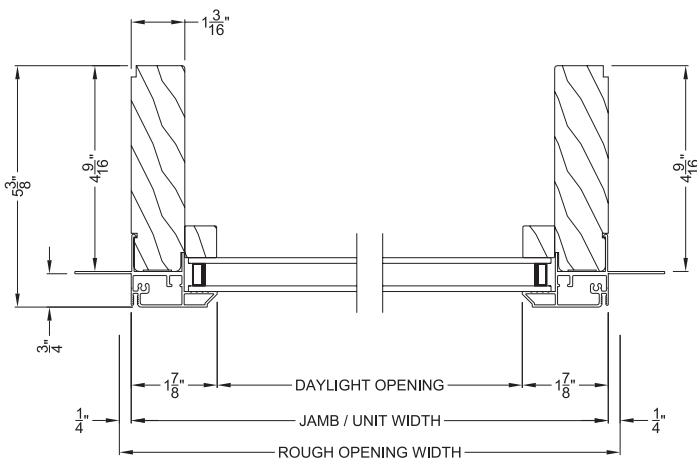
DIRECT-SET SPECIAL SHAPE WINDOWS (8312)

Cross Sections

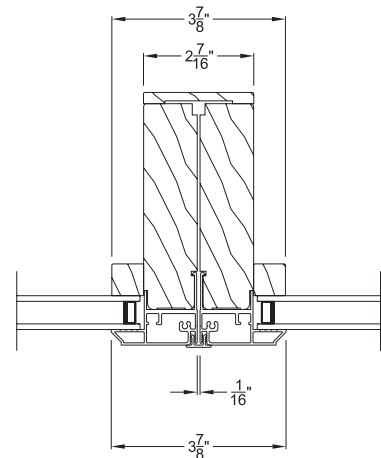


CONTEMPORARY DIRECT-SET
Horizontal Stack Section

CONTEMPORARY DIRECT-SET (8312)
Vertical Section - Flush Frame



CONTEMPORARY DIRECT-SET (8312)
Horizontal Section - Flush Frame



CONTEMPORARY DIRECT-SET
Vertical Mullion Section

Note: All dimensions are approximate. Weather Shield reserves the right to change specifications without notice.

The Weather Shield Contemporary Collection

90 DEGREE CORNER WINDOWS (8306)

Elevations

Unit Dimension	1'-5 1/2"	1'-11 1/2"	2'-5 1/2"	2'-11 1/2"	3'-5 1/2"	3'-11 1/2"
Rough Opening	1'-6"	2'-0"	2'-6"	3'-0"	3'-6"	4'-0"
Soft Metric R.O. (mm)	457	610	762	914	1067	1219
Class Size	14 3/4"	20 3/4"	26 3/4"	32 3/4"	38 3/4"	44 3/4"

1'-5 1/2"	1'-11 1/2"	2'-5 1/2"	2'-11 1/2"	3'-5 1/2"	3'-11 1/2"	4'-5 1/2"	4'-11 1/2"	5'-5 1/2"	5'-11 1/2"	6'-0"	68 3/4"
1'-6"	2'-0"	2'-6"	3'-0"	3'-6"	4'-0"	4'-6"	5'-0"	5'-6"	6'-0"	1829	68 3/4"
457	610	762	914	1067	1219	1372	1524	1676	1829	1829	68 3/4"
14 3/4"	20 3/4"	26 3/4"	32 3/4"	38 3/4"	44 3/4"	50 3/4"	56 3/4"	62 3/4"	68 3/4"	68 3/4"	68 3/4"

CC-1616	CC-2016	CC-2616	CC-3016	CC-3616	CC-4016						
CC-1620	CC-2020	CC-2620	CC-3020	CC-3620	CC-4020						
CC-1626	CC-2026	CC-2626	CC-3026	CC-3626	CC-4026						
CC-1630	CC-2030	CC-2630	CC-3030	CC-3630	CC-4030						
CC-1636	CC-2036	CC-2636	CC-3036	CC-3636	CC-4036						
CC-1640	CC-2040	CC-2640	CC-3040	CC-3640	CC-4040						
CC-1646	CC-2046	CC-2646	CC-3046	CC-3646	CC-4046						
CC-1650	CC-2050	CC-2650	CC-3050	CC-3650	CC-4050						
CC-1656	CC-2056	CC-2656	CC-3056	CC-3656	CC-4056						
CC-1660	CC-2060	CC-2660	CC-3060	CC-3660	CC-4060						

SPECIAL SHAPE

The Weather Shield Contemporary Collection

90 DEGREE CORNER WINDOWS (8306)

Elevations

Rough Opening	1'-6"	2'-0"	2'-6"	3'-0"	3'-6"	4'-0"
Soft Metric R.O. (mm)	457	610	762	914	1067	1219
Glass Size	14 3/4"	20 3/4"	26 3/4"	32 3/4"	38 3/4"	44 3/4"

6'-6"	1981	74 3/4"						
7'-0"	2134	80 3/4"						
7'-6"	2286	86 3/4"						
8'-0"	2438	92 3/4"						

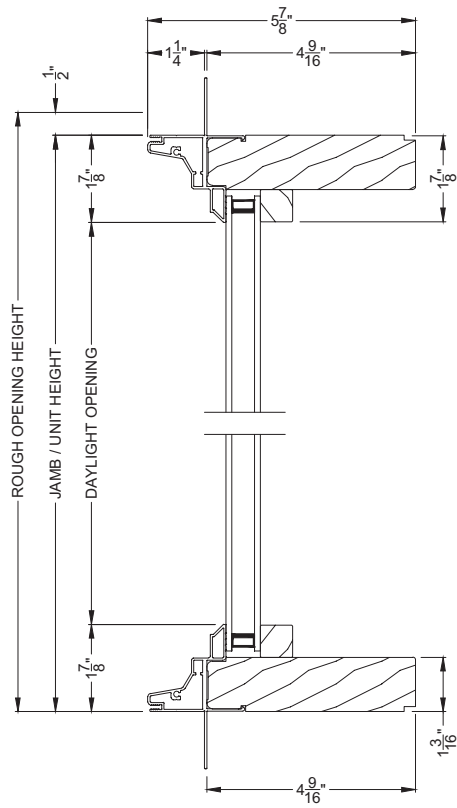
SPECIAL SHAPE

The Weather Shield Contemporary Collection

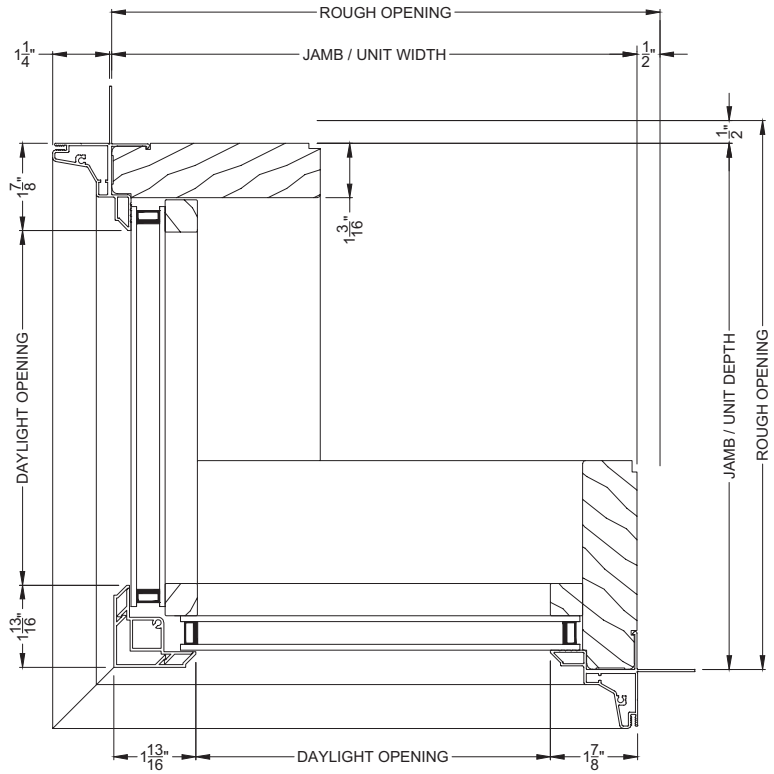
90 DEGREE CORNER WINDOWS (8306)

Cross Sections

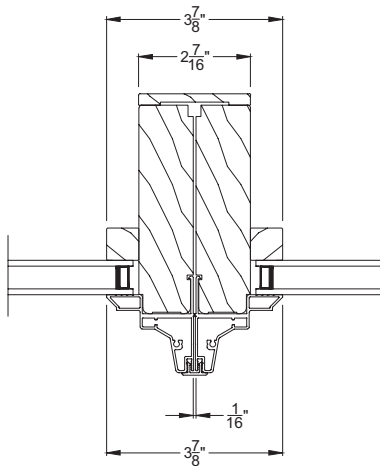
SPECIAL SHAPE



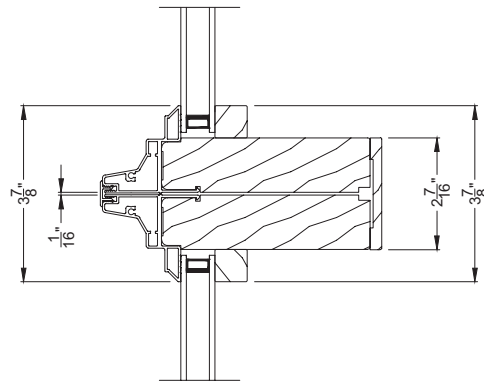
CONTEMPORARY CORNER WINDOW (8306)
Vertical Section



CONTEMPORARY CORNER WINDOW (8306)
Horizontal Section



CONTEMPORARY CORNER WINDOW
Vertical Mullion Section



CONTEMPORARY CORNER WINDOW
Horizontal Mullion Section

Note: All dimensions are approximate. Weather Shield reserves the right to change specifications without notice.

The Weather Shield Contemporary Collection

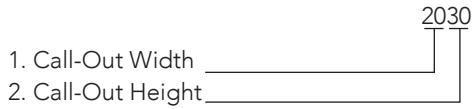
BI-FOLD WINDOWS

Bi-Fold Windows Table of Contents

Bi-Fold Windows Footnotes.....	53	Bi-Fold Windows Elevations.....	56
Bi-Fold Windows Quick Spec Guide	54	Bi-Fold Windows Cross Sections	59
Panel Configurations	55	Bi-Fold Windows Opening Specifications.....	62

Size Codes:

The Weather Shield size code uses meaningful characters to denote standard sizes. For example:



The Weather Shield Contemporary Collection

BI-FOLD WINDOWS (8623)

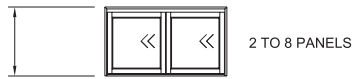
Quick Spec Guide

SPECIFICATION	STANDARD FEATURES	OPTIONAL FEATURES
EXTERIOR FINISH	<ul style="list-style-type: none"> • White • Cameo • Tan • Desert Tan • Heritage Brown • Adobe • Craftsman Bronze • Brick Red • Hartford Green • Gray Matters • Obsidian • Jet Black 	<ul style="list-style-type: none"> • 4 Radiant Metallic • 45 Designer • 8 Anodized • Custom Color
EXTERIOR TRIM	<ul style="list-style-type: none"> • Integral Nail Fin 	<ul style="list-style-type: none"> • 7/8" Brickmold • 1-11/16" Brickmold • 1-11/16" Flat Casing • 3-5/16" Flat Casing • Historical Brickmould
INTERIOR FINISH	<ul style="list-style-type: none"> • Natural 	<ul style="list-style-type: none"> • Stained & Sealed – 5 Standard / 10 Designer • Primed • Prefinished White & Black • Poly – 12 Standard / 45 Designer
INTERIOR SPECIES	<ul style="list-style-type: none"> • Pine 	<ul style="list-style-type: none"> • Oak • Maple • Alder (Character) • Cherry • Mahogany • Douglas Fir
SIZE	<ul style="list-style-type: none"> • Width Two Panel Doors - 6-1 Three Panel Doors – 9-0 Four Panel Doors – 11-11 Five Panel Doors – 14-10 Six Panel Doors – 17-8 Seven Panel Doors – 20-7 Eight Panel Doors – 23-6 • Height Bi-Fold Doors 3-0, 4-0, 5-0, 6-0 	<ul style="list-style-type: none"> • Two Panel Doors: Any jamb width: 48-9/32" to 80-15/16" • Three Panel Doors: Any jamb width: 71-15/16" to 120-1/8" • Four Panel Doors: Any jamb width: 93-29/32" to 159-1/2" • Five Panel Doors: Any jamb width: 116-23/32" to 198-1/2" • Six Panel Doors: Any jamb width: 139-17/32" to 237-5/8" • Seven Panel Doors: Any jamb width: 162-11/32" to 276-3/4" • Eight Panel Doors: Any jamb width: 185-5/32" to 290-29/32" • Bi-Fold Doors: Any jamb height: 40-7/8" to 76-7/8"
GLAZING	<ul style="list-style-type: none"> • Low-E Insulating Glass • Tempered Glass 	<ul style="list-style-type: none"> • Clear IG • Low-E 240 • Zo-e-shield 5 • Grey or Bronze Tint • Obscure • Zo-e-shield Extreme
GRILLES		<ul style="list-style-type: none"> • GBG: 5/8" Flat or 11/16" Sculptured • SDL: 5/8", 7/8", 1-1/8", 2"
HARDWARE	<ul style="list-style-type: none"> • Adjustable hinge 	<ul style="list-style-type: none"> • Single point lock • Dallas Handle • No Key, Keyed Random, Keyed alike locks
HARDWARE COLOR	<ul style="list-style-type: none"> • Oil Rubbed Bronze (Hinges) • Rustic Bronze (Handles) 	<ul style="list-style-type: none"> • Stainless Steel (Hinges) • Satin Nickel, Matte Black (Handles)
JAMB	<ul style="list-style-type: none"> • 5-5/16" 	<ul style="list-style-type: none"> • 5-5/16 Min • 12" Max
SCREEN	<ul style="list-style-type: none"> • No Screen 	<ul style="list-style-type: none"> • Retractable Screen • Retractable Shade
SCREEN COLOR	<ul style="list-style-type: none"> • Bronze 	<ul style="list-style-type: none"> • White • Clear Anodized • Wood Wrapped
RAILS	<ul style="list-style-type: none"> • 3-1/4" (top) • 3-1/4" (bottom) 	<ul style="list-style-type: none"> • 5-1/8" (bottom)
SILL TYPE	<ul style="list-style-type: none"> • Standard 	<ul style="list-style-type: none"> • ADA • U-channel
SILL FINISH	<ul style="list-style-type: none"> • Bronze Anodized 	<ul style="list-style-type: none"> • Clear Anodized

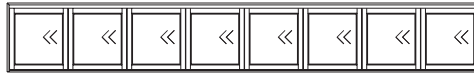
The Weather Shield Contemporary Collection

BI-FOLD WINDOWS (8623)

Panel Configurations

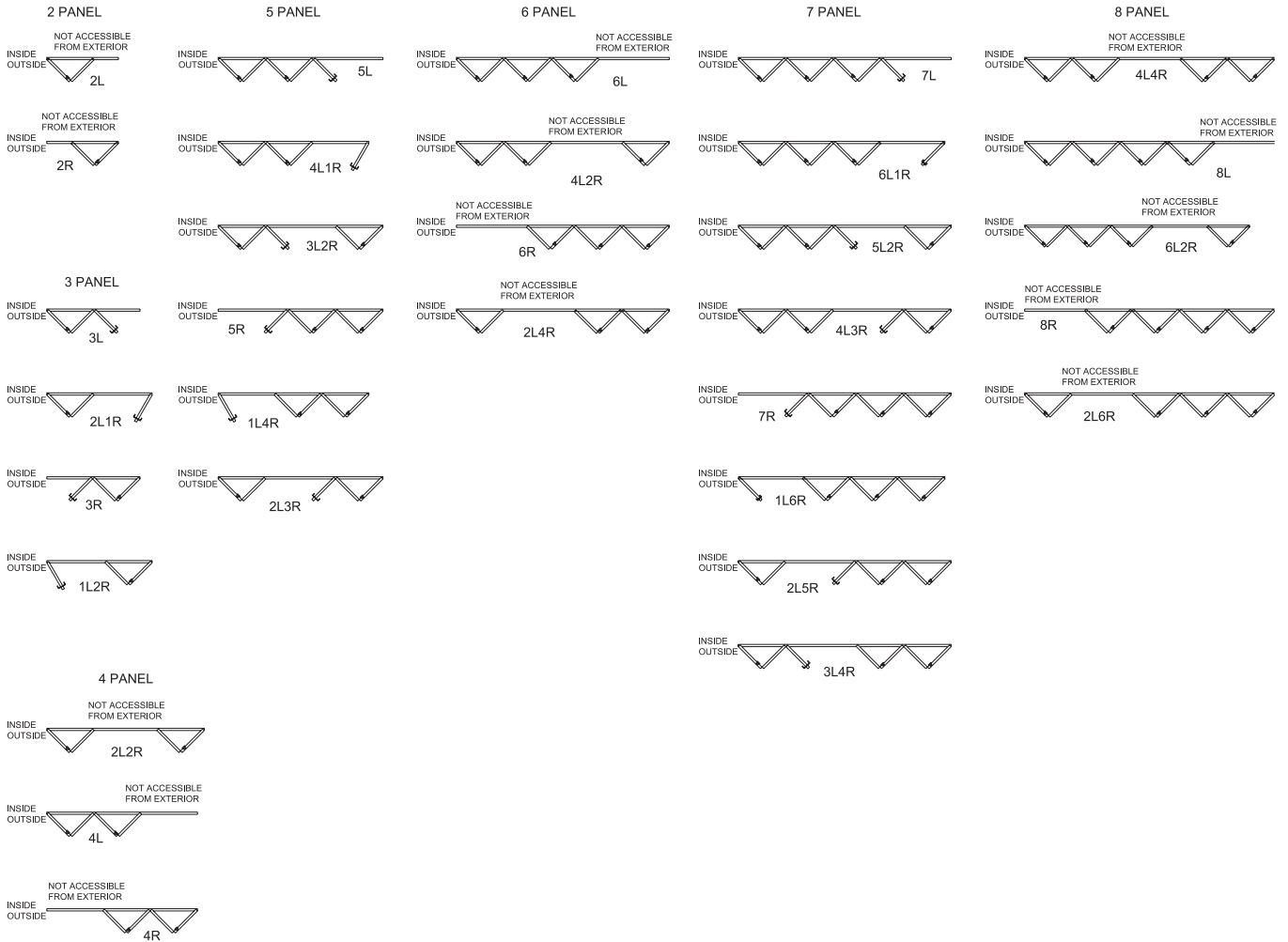


CUSTOM HEIGHTS
MINIMUM 3'-7 7/8"
MAXIMUM 6'-1 7/8"



CUSTOM WIDTHS		
NUMBER OF PANELS	MINIMUM JAMB WIDTH	MAXIMUM JAMB WIDTH
2	4'-0 9/32"	6'-8 15/16"
3	5'-11 15/16"	10'-0 27/32"
4	7'-9 29/32"	12'-2 25/32"
5	9'-8 23/32"	15'-2 13/16"
6	11'-7 17/32"	18'-2 27/32"
7	13'-6 11/32"	23'-0 3/4"
8	15'-5 5/32"	24'-2 29/32"

PANEL CONFIGURATIONS



The Weather Shield Contemporary Collection

2-PANEL, 3-PANEL, 4-PANEL & 5-PANEL BI-FOLD WINDOWS (8623)

Elevations

Standard Sill

Unit Dimension	6'-0 9/32"	8'-11 3/32"	11'-9 29/32"	14'-8 23/32"
Rough Opening	6'-1 1/16"	8'-11 7/8"	11'-10 11/16"	14'-9 1/2"
Soft Metric R.O. (mm)	1856	2740	3624	4509
Glass Size	29 3/32"	29 3/32"	29 3/32"	29 3/32"

3'-4 7/8"				
6130	9030	111130	141030	
4'-4 7/8"				
6140	9040	111140	141040	
5'-4 7/8"				
6150	9050	111150	141050	
6'-4 7/8"				
6160	9060	111160	141060	
3L shown; 2R available	3L shown; 3R, 2L1R, 1L2R available	4L shown; 4R, 2L2R available	5L shown; 5R, 4L1R, 3L2R, 2L3R, 1L4R available	

U-Channel Sill

Unit Dimension	6'-0 9/32"	8'-11 3/32"	11'-9 29/32"	14'-8 23/32"
Rough Opening	6'-1 1/16"	8'-11 7/8"	11'-10 11/16"	14'-9 1/2"
Soft Metric R.O. (mm)	1856	2740	3624	4509
Glass Size	29 3/32"	29 3/32"	29 3/32"	29 3/32"

3'-3 13/16"				
6130	9030	111130	141030	
4'-3 13/16"				
6140	9040	111140	141040	
5'-3 13/16"				
6150	9050	111150	141050	
6'-3 13/16"				
6160	9060	111160	141060	
2L shown; 2R available	3L shown; 3R, 2L1R, 1L2R available	4L shown; 4R, 2L2R available	5L shown; 5R, 4L1R, 3L2R, 2L3R, 1L4R available	

BI-FOLD WINDOWS

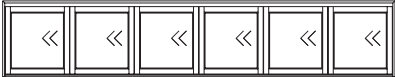
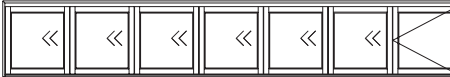




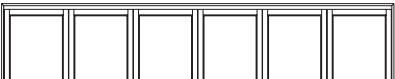
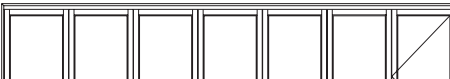
The Weather Shield Contemporary Collection

6-PANEL & 7-PANEL BI-FOLD WINDOWS (8623)

Elevations

Standard Sill

Unit Dimension	17'-7 17/32"	20'-6 11/32"
Rough Opening	17'-8 5/16"	20'-7 1/8"
Soft Metric R.O. (mm)	5393	6277
Class Size	29 3/32"	29 3/32"

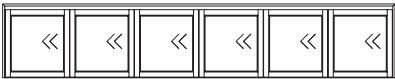
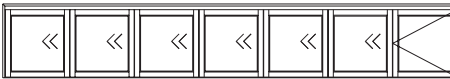
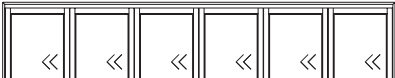
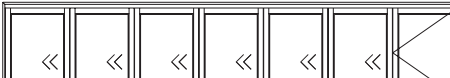
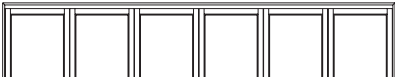



3'-4 7/8"	3'-4 7/8"	1051	30 5/8"		17830		20730
4'-4 7/8"	4'-4 7/8"	1356	42 5/8"		17840		20740
5'-4 7/8"	5'-4 7/8"	1661	54 5/8"		17850		20750
6'-4 7/8"	6'-4 7/8"	1965	66 5/8"		17860		20760

6L shown; 6R, 4L2R, 2L4R available

7L shown; 7R, 6L1R, 5L2R, 4L3R, 3L4R, 2L1R, 1L6R available

U-Channel Sill

Unit Dimension	17'-7 17/32"	20'-6 11/32"
Rough Opening	17'-8 5/16"	20'-7 1/8"
Soft Metric R.O. (mm)	5393	6277
Class Size	29 3/32"	29 3/32"

3'-3 13/16"	3'-3 13/16"	1024	30 5/8"		17830		20730
4'-3 13/16"	4'-3 13/16"	1329	42 5/8"		17840		20740
5'-3 13/16"	5'-3 13/16"	1634	54 5/8"		17850		20750
6'-3 13/16"	6'-3 13/16"	1938	66 5/8"		17860		20760

6L shown; 6R, 4L2R, 2L4R available

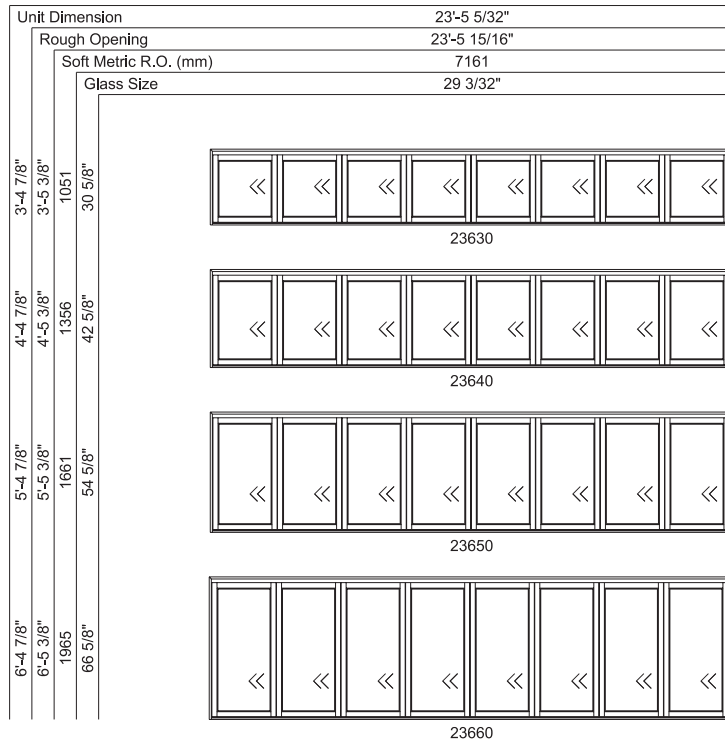
7L shown; 7R, 6L1R, 5L2R, 4L3R, 3L4R, 2L1R, 1L6R available

The Weather Shield Contemporary Collection

8-PANEL BI-FOLD WINDOWS (8623)

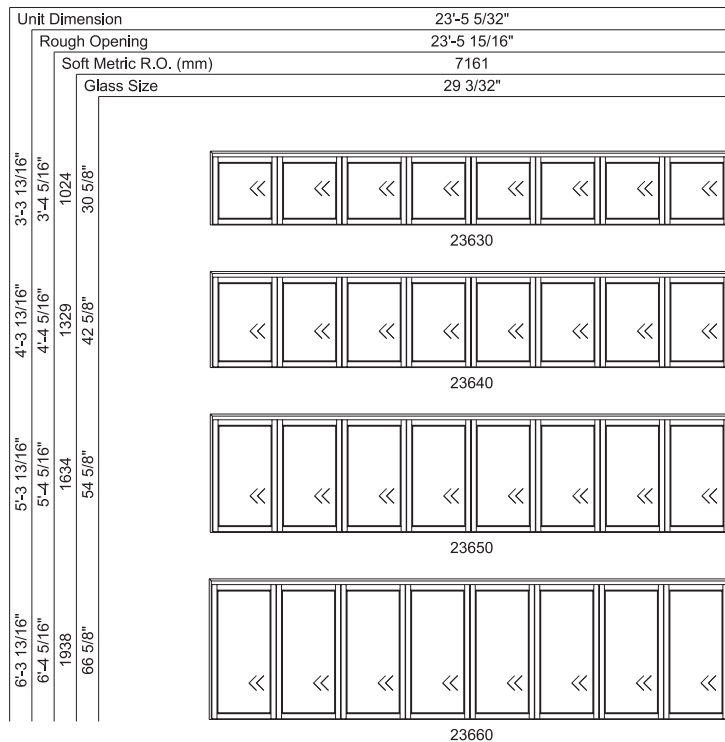
Elevations

Standard Sill



8L shown; 8R, 6L2R, 4L4R, 2L6R available

U-Channel Sill



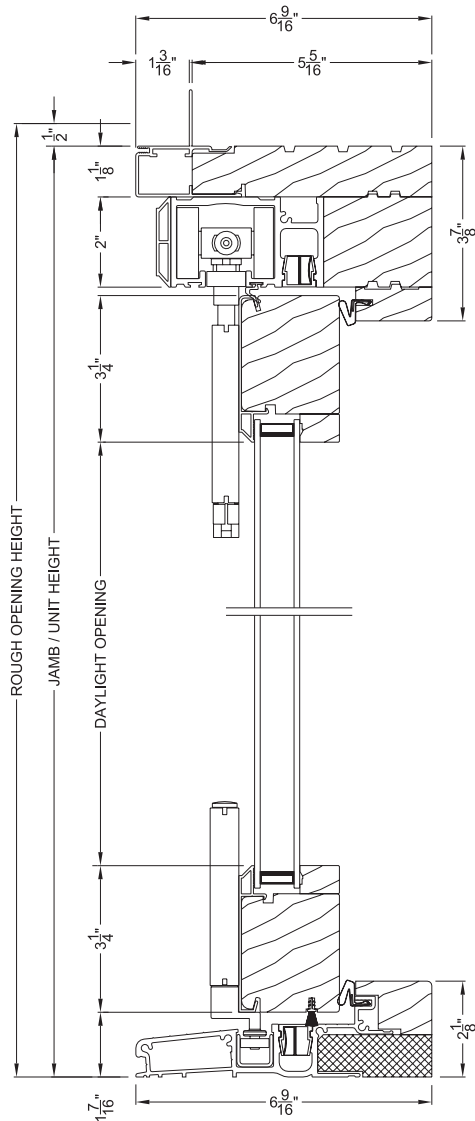
8L shown; 8R, 6L2R, 4L4R, 2L6R available

BI-FOLD WINDOWS

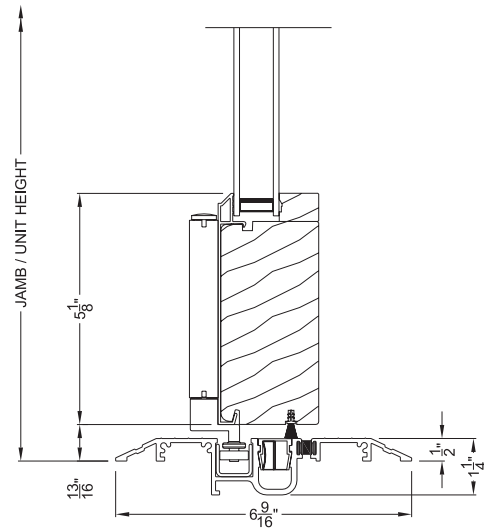
The Weather Shield Contemporary Collection

BI-FOLD WINDOWS (8623)

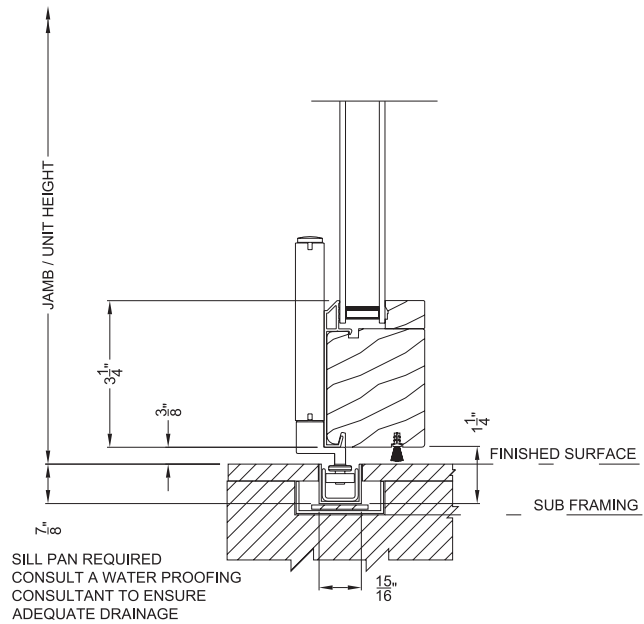
Cross Sections



CONTEMPORARY BI-FOLD WINDOW (8623)
Vertical Section - Standard Sill - 3-1/4" Bottom Rail



CONTEMPORARY BI-FOLD WINDOW (8623)
Vertical Section - ADA Sill - 5-1/8" Bottom Rail

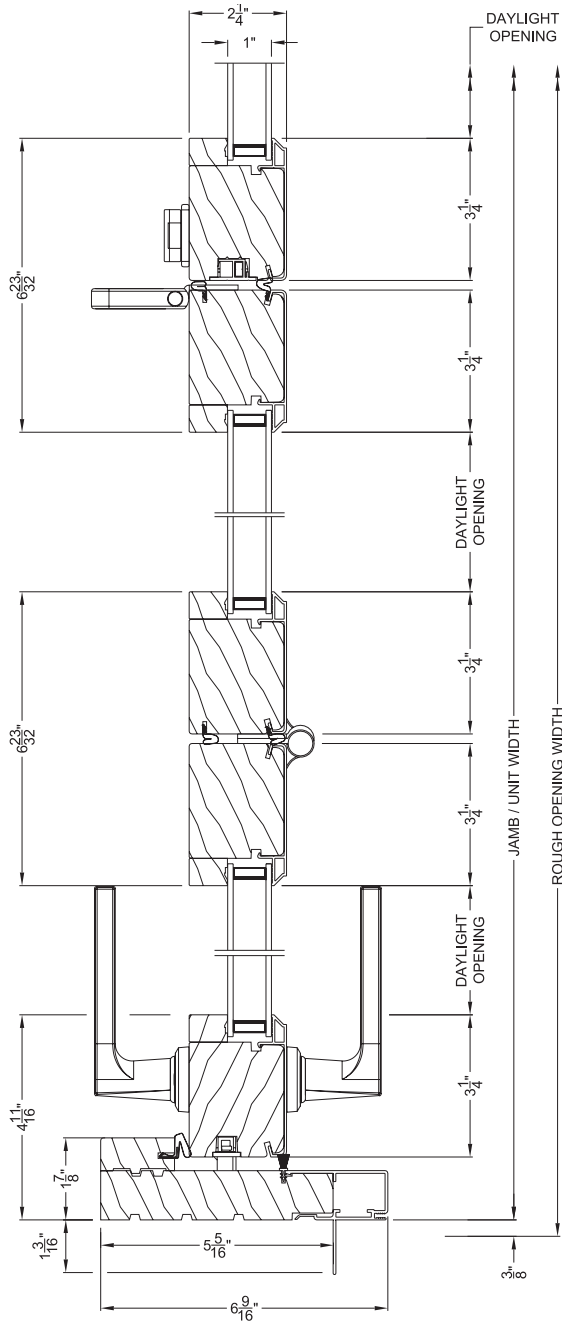


CONTEMPORARY BI-FOLD WINDOW (8623)
Vertical Section - U-channel Sill - 3-1/4" Bottom Rail

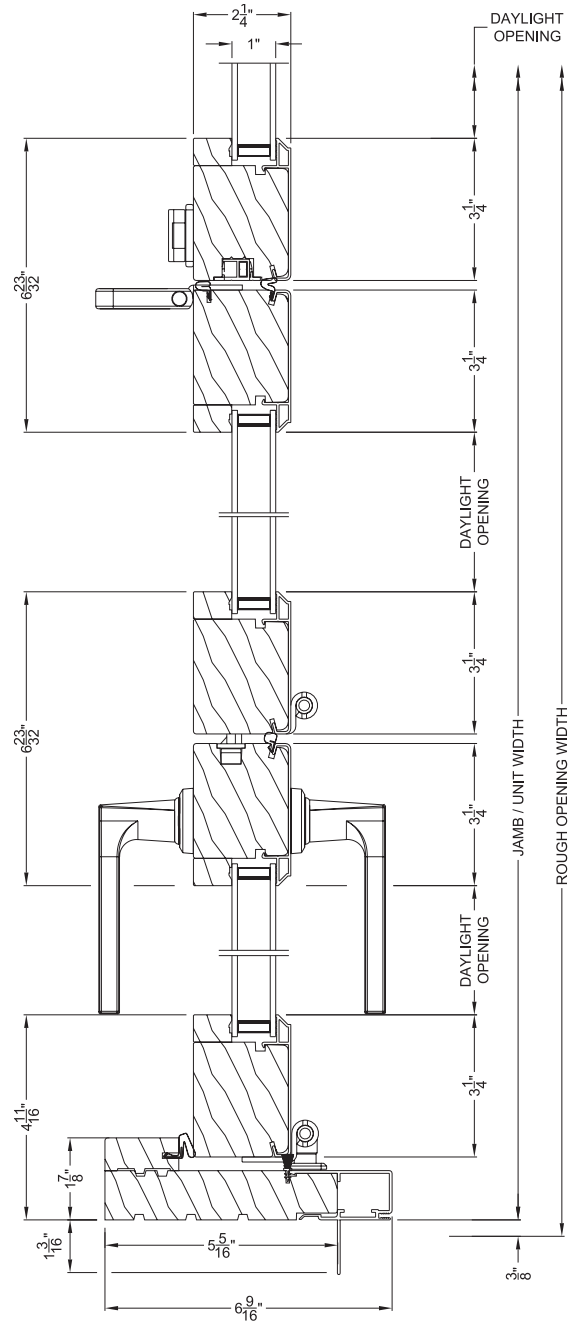
The Weather Shield Contemporary Collection

BI-FOLD WINDOWS (8623)

Cross Sections



CONTEMPORARY BI-FOLD WINDOW (8623)
Horizontal Section



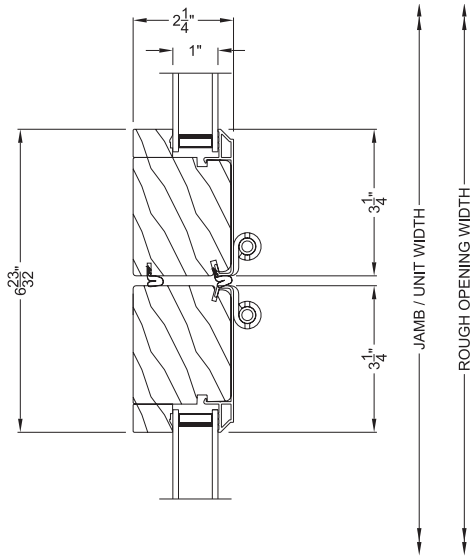
CONTEMPORARY BI-FOLD WINDOW (8623)
Horizontal Section

Note: All dimensions are approximate. Weather Shield reserves the right to change specifications without notice.

The Weather Shield Contemporary Collection

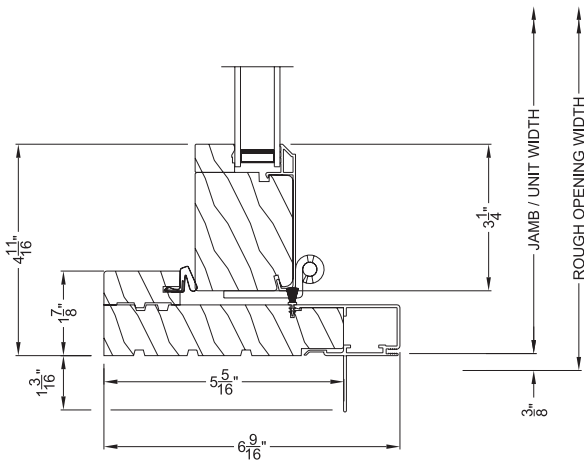
BI-FOLD WINDOWS (8623)

Cross Sections



CONTEMPORARY BI-FOLD WINDOW (8623)

Horizontal Section



CONTEMPORARY BI-FOLD WINDOW (8623)

Horizontal Section

Note: All dimensions are approximate. Weather Shield reserves the right to change specifications without notice.

The Weather Shield Contemporary Collection

BI-FOLD WINDOWS (8623)

Opening Specifications

	Unit Code	Sq. Ft. Clear Opening / Vent			Clear Opening				Sq. Ft. DLO 3-1/4" Rail	Floor to Bottom of Clear Opening ^a	Sq. Ft. Overall Unit Area ^b
		Std. Sill	ADA Sill	U-channel Sill	Width ^c	Height (Std Sill)	Height (ADA Sill)	Height (U-channel Sill)			
2 Panel Windows	6-1 x 3-0	15.27	15.71	15.74	63.05	34.88	35.88	35.94	11.68	43.25	20.52
	6-1 x 4-0	20.53	20.96	20.99	63.05	46.88	47.88	47.94	16.38	31.25	26.54
	6-1 x 5-0	25.78	26.22	26.25	63.05	58.88	59.88	59.94	21.08	19.25	32.56
	6-1 x 6-0	31.03	31.47	31.50	63.05	70.88	71.88	71.94	25.80	31.25	38.59
3 Panel Windows	9-0 x 3-0	22.55	23.20	23.24	93.12	34.88	35.88	35.94	17.52	43.25	30.40
	9-0 x 4-0	30.31	30.96	31.00	93.12	46.88	47.88	47.94	24.57	31.25	39.32
	9-0 x 5-0	38.07	38.72	38.76	93.12	58.88	59.88	59.94	31.62	19.25	48.25
	9-0 x 6-0	45.83	46.48	46.52	93.12	70.88	71.88	71.94	38.70	31.25	57.17
4 Panel Windows	11-11 x 3-0	30.74	31.63	31.68	126.95	34.88	35.88	35.94	23.36	43.25	40.28
	11-11 x 4-0	41.32	42.21	42.26	126.95	46.88	47.88	47.94	32.76	31.25	52.11
	11-11 x 5-0	51.90	52.78	52.84	126.95	58.88	59.88	59.94	42.16	19.25	63.93
	11-11 x 6-0	62.48	63.36	63.42	126.95	70.88	71.88	71.94	51.60	31.25	75.76
5 Panel Windows	14-10 x 3-0	38.03	39.12	39.18	157.01	34.88	35.88	35.94	29.20	43.25	50.16
	14-10 x 4-0	51.11	52.20	52.27	157.01	46.88	47.88	47.94	40.95	31.25	64.89
	14-10 x 5-0	64.19	65.28	65.35	157.01	58.88	59.88	59.94	52.70	19.25	79.62
	14-10 x 6-0	77.28	78.37	78.44	157.01	70.88	71.88	71.94	64.50	31.25	94.34
6 Panel Windows	17-8 x 3-0	45.37	46.67	46.75	187.33	34.88	35.88	35.94	35.04	43.25	60.04
	17-8 x 4-0	60.98	62.28	62.36	187.33	46.88	47.88	47.94	49.14	31.25	77.67
	17-8 x 5-0	76.59	77.89	77.97	187.33	58.88	59.88	59.94	63.24	19.25	95.30
	17-8 x 6-0	92.20	93.50	93.58	187.33	70.88	71.88	71.94	77.40	31.25	112.93
7 Panel Windows	20-7 x 3-0	53.56	55.10	55.19	221.16	34.88	35.88	35.94	40.88	43.25	69.93
	20-7 x 4-0	71.99	73.53	73.62	221.16	46.88	47.88	47.94	57.33	31.25	90.45
	20-7 x 5-0	90.42	91.96	92.05	221.16	58.88	59.88	59.94	73.78	19.25	110.98
	20-7 x 6-0	108.85	110.39	110.48	221.16	70.88	71.88	71.94	90.30	31.25	131.51
8 Panel Windows	23-6 x 3-0	61.75	63.53	63.64	254.99	34.88	35.88	35.94	46.72	43.25	79.81
	23-6 x 4-0	83.00	84.77	84.88	254.99	46.88	47.88	47.94	65.52	31.25	103.24
	23-6 x 5-0	104.25	106.02	106.13	254.99	58.88	59.88	59.94	84.32	19.25	126.67
	23-6 x 6-0	125.50	127.27	127.38	254.99	70.88	71.88	71.94	103.20	31.25	150.10

Requirements per 2015 IBC (International Building Code) minimum dimensions of 20" clear opening width, 24" clear opening height, 5.7 sq. ft. clear opening and floor to bottom of clear opening not to exceed 44".

^a Floor to bottom of clear opening dimensions are for standard sill and based on 82" jamb height of a 6-10 door.

All units over 5-0 height are based off 106" jamb height for floor to clear opening dimension.

^b Sq. Ft. Overall Unit Area is calculated on the jamb dimension for standard sill.

^c Clear opening width is calculated with all panels open. Multiple operations may be required which may affect egress.

The requirements outlined above for the major US building codes can be modified by local jurisdictions. Therefore, it is important to check local codes in the areas in which the product is to be installed.

The Weather Shield Contemporary Collection

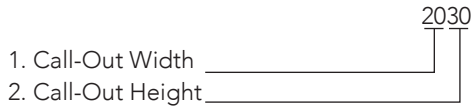
MULTI-SLIDE WINDOWS

Multi-Slide Window Table of Contents

Multi-Slide Window Footnotes.....	63	Multi-Slide Window Size Charts.....	66
Multi-Slide Window Quick Spec Guide.....	64	Multi-Slide Window Cross Sections.....	74
Multi-Slide Window Panel Configurations.....	65	Multi-Slide Window Opening Specifications.....	93

Size Codes:

The Weather Shield size code uses meaningful characters to denote standard sizes. For example:



The Weather Shield Contemporary Collection

MULTI-SLIDE WINDOWS (8720)

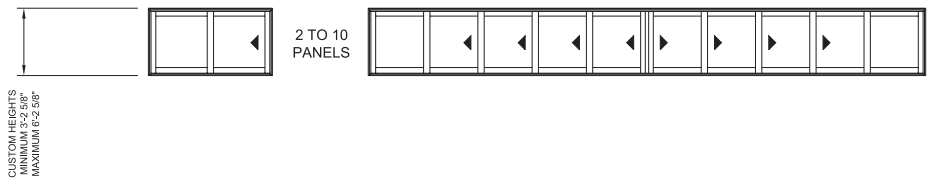
Quick Spec Guide

SPECIFICATION	STANDARD FEATURES	OPTIONAL FEATURES
EXTERIOR FINISH	<ul style="list-style-type: none"> • White • Cameo • Tan • Desert Tan • Heritage Brown • Adobe 	<ul style="list-style-type: none"> • Craftsman Bronze • Brick Red • Hartford Green • Gray Matters • Obsidian • Jet Black
PANEL THICKNESS	<ul style="list-style-type: none"> • 1-3/4" 	<ul style="list-style-type: none"> • 4 Radiant Metallic • 45 Designer • 8 Anodized • Custom Color
INTERIOR FINISH	<ul style="list-style-type: none"> • Natural 	<ul style="list-style-type: none"> • Stained & Sealed – 5 Standard / 10 Designer • Primed • Prefinished White & Black • Poly – 12 Standard / 45 Designer
INTERIOR SPECIES	<ul style="list-style-type: none"> • Pine 	<ul style="list-style-type: none"> • Oak • Maple • Alder (Character) • Cherry • Mahogany • Douglas Fir
SIZE	<ul style="list-style-type: none"> • Width Call Out Panel Width 3-0, 4-0, 5-0 • Height Call Out Panel Height 3-0, 4-0, 5-0, 6-0 	<ul style="list-style-type: none"> • Two Panel Doors: Any jamb width: 55-3/16" to 117-3/16" • Three Panel Doors: Any jamb width: 79-5/16" to 172-5/16" • Four Panel Doors: Any jamb width: 103-1/2" to 227-1/2" • Five Panel Doors: Any jamb width: 127-5/8" to 282-5/8" • Six Panel Doors: Any jamb width: 157-3/8" to 343-3/8" • Eight Panel Doors: Any jamb width: 205-11/16" to 453-11/16" • Ten Panel Doors: Any jamb width: 254" to 564" • Multi-Slide Doors (1-3/4" panel): Any jamb height: 38-5/8" to 74-5/8"
GLAZING	<ul style="list-style-type: none"> • Low-E Insulating Glass • Tempered Glass 	<ul style="list-style-type: none"> • Clear IG • Low-E 240 • Zo-e-shield 5 • Zo-e-shield Extreme • Zo-e Shield 6 (laminated) • Grey or Bronze Tint • Obscure
RAILS	<ul style="list-style-type: none"> • 3-1/4" Bottom Rail 	<ul style="list-style-type: none"> • 5-1/8" Bottom Rail
GRILLES		<ul style="list-style-type: none"> • GBG: 5/8" Flat or 11/16" Sculptured • SDL: 5/8", 7/8", 1-1/8", 2"
HARDWARE	<ul style="list-style-type: none"> • 2 point lock • Flush Handle set • Keyed Random locks • Standard rollers 	<ul style="list-style-type: none"> • Automated operator
HARDWARE COLOR	<ul style="list-style-type: none"> • Oil Rubbed Bronze PVD 	<ul style="list-style-type: none"> • Satin Nickel PVD • Black
SILL	<ul style="list-style-type: none"> • Standard 	<ul style="list-style-type: none"> • 1-1/2" Sill Riser
SCREEN	<ul style="list-style-type: none"> • No screen 	<ul style="list-style-type: none"> • Retractable screen • Retractable Shade • Retractable Screen & Shade
SCREEN COLOR	<ul style="list-style-type: none"> • Bronze 	<ul style="list-style-type: none"> • White • Clear Anodized • Wood Wrapped

The Weather Shield Contemporary Collection

MULTI-SLIDE WINDOWS (8720)

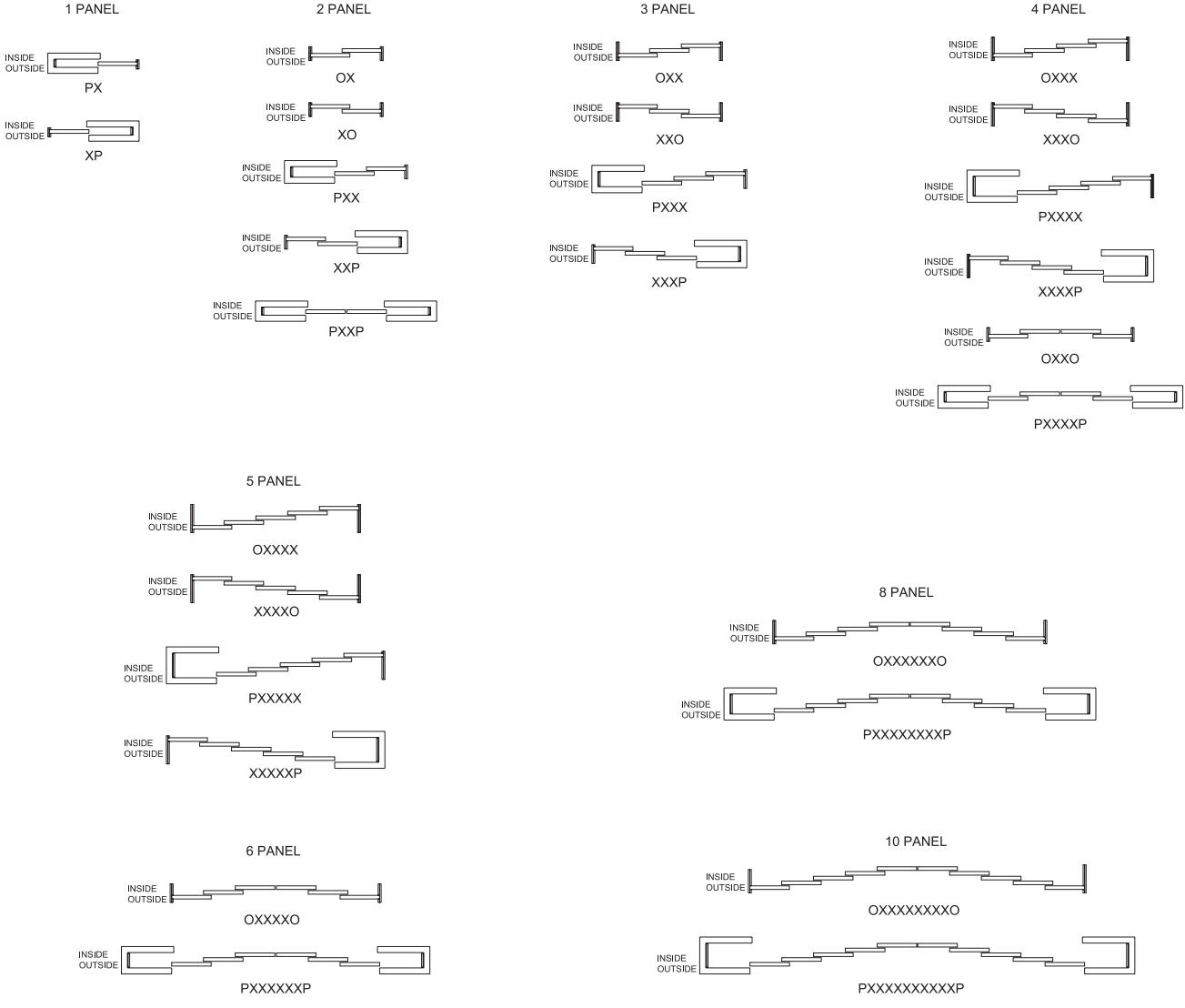
Panel Configurations



CUSTOM WIDTHS		
NUMBER OF PANELS	MINIMUM JAMB WIDTH	MAXIMUM JAMB WIDTH
2	4'-7 3/16"	9'-9 3/16"
3	6'-7 5/16"	14'-4 5/16"
4	8'-7 1/2"	18'-11 1/2"
5	10'-7 5/8"	23'-6 5/8"
6	13'-1 3/8"	28'-7 3/8"
8	17'-1 11/16"	37'-9 11/16"
10	21'-2"	47'-0"

Sizes are for non-pocket windows

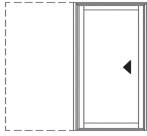
PANEL CONFIGURATIONS



The Weather Shield Contemporary Collection

1-PANEL MULTI-SLIDE WINDOWS (8720)

Size Charts

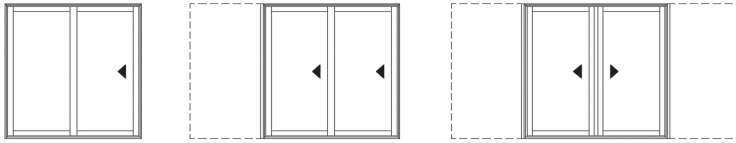


Contemporary Collection Multi-Slide Windows - (8720)																	
Call-out size	Jamb Dimension			Exterior Exposed Jamb Width	Exterior Pocket Width	Rough Opening			Metric R.O. (mm)			Glass Size					
	Width	x	Height			Width	x	Height	Width	x	Height	Width	x	Height			
1 Panel Windows - 1 Pocket	3-0	x	3-0	75 15/16	x	38 5/8	37 15/16	37	76 15/16	x	39 1/8	1954	x	994	30 1/2	x	30 1/2
	4-0	x	3-0	99 15/16	x	38 5/8	49 15/16	49	100 15/16	x	39 1/8	2564	x	994	42 1/2	x	30 1/2
	5-0	x	3-0	123 15/16	x	38 5/8	61 15/16	61	124 15/16	x	39 1/8	3173	x	994	54 1/2	x	30 1/2
	3-0	x	4-0	75 15/16	x	50 5/8	37 15/16	37	76 15/16	x	51 1/8	1954	x	1299	30 1/2	x	42 1/2
	4-0	x	4-0	99 15/16	x	50 5/8	49 15/16	49	100 15/16	x	51 1/8	2564	x	1299	42 1/2	x	42 1/2
	5-0	x	4-0	123 15/16	x	50 5/8	61 15/16	61	124 15/16	x	51 1/8	3173	x	1299	54 1/2	x	42 1/2
	3-0	x	5-0	75 15/16	x	62 5/8	37 15/16	37	76 15/16	x	63 1/8	1954	x	1603	30 1/2	x	54 1/2
	4-0	x	5-0	99 15/16	x	62 5/8	49 15/16	49	100 15/16	x	63 1/8	2564	x	1603	42 1/2	x	54 1/2
	5-0	x	5-0	123 15/16	x	62 5/8	61 15/16	61	124 15/16	x	63 1/8	3173	x	1603	54 1/2	x	54 1/2
	3-0	x	6-0	75 15/16	x	74 5/8	37 15/16	37	76 15/16	x	75 1/8	1954	x	1908	30 1/2	x	66 1/2
	4-0	x	6-0	99 15/16	x	74 5/8	49 15/16	49	100 15/16	x	75 1/8	2564	x	1908	42 1/2	x	66 1/2
	5-0	x	6-0	123 15/16	x	74 5/8	61 15/16	61	124 15/16	x	75 1/8	3173	x	1908	54 1/2	x	66 1/2

The Weather Shield Contemporary Collection

2-PANEL MULTI-SLIDE WINDOWS (8720)

Size Charts



Contemporary Collection Multi-Slide windows - (8720)																							
	Call-out size		Jamb Dimension			Exterior Exposed Jamb Width	Exterior Pocket Width	Rough Opening			Metric R.O. (mm)			Glass Size									
	Width	x Height	Width	x	Height			Width	x	Height	Width	x	Height	Width	x	Height							
2 Panel Windows - No Pocket	3-0	x 3-0	71	1/8	x	38	5/8			72	1/8	x	39	1/8	1832	x	994	30	1/2	x	30	1/2	
	4-0	x 3-0	95	1/8	x	38	5/8			96	1/8	x	39	1/8	2442	x	994	42	1/2	x	30	1/2	
	5-0	x 3-0	119	1/8	x	38	5/8			120	1/8	x	39	1/8	3051	x	994	54	1/2	x	30	1/2	
	3-0	x 4-0	71	1/8	x	50	5/8			72	1/8	x	51	1/8	1832	x	1299	30	1/2	x	42	1/2	
	4-0	x 4-0	95	1/8	x	50	5/8			96	1/8	x	51	1/8	2442	x	1299	42	1/2	x	42	1/2	
	5-0	x 4-0	119	1/8	x	50	5/8			120	1/8	x	51	1/8	3051	x	1299	54	1/2	x	42	1/2	
	3-0	x 5-0	71	1/8	x	62	5/8			72	1/8	x	63	1/8	1832	x	1603	30	1/2	x	54	1/2	
	4-0	x 5-0	95	1/8	x	62	5/8			96	1/8	x	63	1/8	2442	x	1603	42	1/2	x	54	1/2	
	5-0	x 5-0	119	1/8	x	62	5/8			120	1/8	x	63	1/8	3051	x	1603	54	1/2	x	54	1/2	
	3-0	x 6-0	71	1/8	x	74	5/8			72	1/8	x	75	1/8	1832	x	1908	30	1/2	x	66	1/2	
4-0	x 6-0	95	1/8	x	74	5/8			96	1/8	x	75	1/8	2442	x	1908	42	1/2	x	66	1/2		
5-0	x 6-0	119	1/8	x	74	5/8			120	1/8	x	75	1/8	3051	x	1908	54	1/2	x	66	1/2		
2 Panel Windows - 1 Pocket	3-0	x 3-0	109	1/16	x	38	5/8	71	1/16	37	110	1/16	x	39	1/8	2796	x	994	30	1/2	x	30	1/2
	4-0	x 3-0	145	1/16	x	38	5/8	95	1/16	49	146	1/16	x	39	1/8	3710	x	994	42	1/2	x	30	1/2
	5-0	x 3-0	181	1/16	x	38	5/8	119	1/16	61	182	1/16	x	39	1/8	4624	x	994	54	1/2	x	30	1/2
	3-0	x 4-0	109	1/16	x	50	5/8	71	1/16	37	110	1/16	x	51	1/8	2796	x	1299	30	1/2	x	42	1/2
	4-0	x 4-0	145	1/16	x	50	5/8	95	1/16	49	146	1/16	x	51	1/8	3710	x	1299	42	1/2	x	42	1/2
	5-0	x 4-0	181	1/16	x	50	5/8	119	1/16	61	182	1/16	x	51	1/8	4624	x	1299	54	1/2	x	42	1/2
	3-0	x 5-0	109	1/16	x	62	5/8	71	1/16	37	110	1/16	x	63	1/8	2796	x	1603	30	1/2	x	54	1/2
	4-0	x 5-0	145	1/16	x	62	5/8	95	1/16	49	146	1/16	x	63	1/8	3710	x	1603	42	1/2	x	54	1/2
	5-0	x 5-0	181	1/16	x	62	5/8	119	1/16	61	182	1/16	x	63	1/8	4624	x	1603	54	1/2	x	54	1/2
	3-0	x 6-0	109	1/16	x	74	5/8	71	1/16	37	110	1/16	x	75	1/8	2796	x	1908	30	1/2	x	66	1/2
4-0	x 6-0	145	1/16	x	74	5/8	95	1/16	49	146	1/16	x	75	1/8	3710	x	1908	42	1/2	x	66	1/2	
5-0	x 6-0	181	1/16	x	74	5/8	119	1/16	61	182	1/16	x	75	1/8	4624	x	1908	54	1/2	x	66	1/2	
2 Panel Bi-Parting Windows - 2 Pockets	3-0	x 3-0	150	5/8	x	38	5/8	74	5/16	37	151	5/8	x	39	1/8	3851	x	994	30	1/2	x	30	1/2
	4-0	x 3-0	198	5/8	x	38	5/8	98	5/16	49	199	5/8	x	39	1/8	5070	x	994	42	1/2	x	30	1/2
	5-0	x 3-0	246	5/8	x	38	5/8	122	5/16	61	247	5/8	x	39	1/8	6290	x	994	54	1/2	x	30	1/2
	3-0	x 4-0	150	5/8	x	50	5/8	74	5/16	37	151	5/8	x	51	1/8	3851	x	1299	30	1/2	x	42	1/2
	4-0	x 4-0	198	5/8	x	50	5/8	98	5/16	49	199	5/8	x	51	1/8	5070	x	1299	42	1/2	x	42	1/2
	5-0	x 4-0	246	5/8	x	50	5/8	122	5/16	61	247	5/8	x	51	1/8	6290	x	1299	54	1/2	x	42	1/2
	3-0	x 5-0	150	5/8	x	62	5/8	74	5/16	37	151	5/8	x	63	1/8	3851	x	1603	30	1/2	x	54	1/2
	4-0	x 5-0	198	5/8	x	62	5/8	98	5/16	49	199	5/8	x	63	1/8	5070	x	1603	42	1/2	x	54	1/2
	5-0	x 5-0	246	5/8	x	62	5/8	122	5/16	61	247	5/8	x	63	1/8	6290	x	1603	54	1/2	x	54	1/2
	3-0	x 6-0	150	5/8	x	74	5/8	74	5/16	37	151	5/8	x	75	1/8	3851	x	1908	30	1/2	x	66	1/2
4-0	x 6-0	198	5/8	x	74	5/8	98	5/16	49	199	5/8	x	75	1/8	5070	x	1908	42	1/2	x	66	1/2	
5-0	x 6-0	246	5/8	x	74	5/8	122	5/16	61	247	5/8	x	75	1/8	6290	x	1908	54	1/2	x	66	1/2	

The Weather Shield Contemporary Collection

3-PANEL MULTI-SLIDE WINDOWS (8720)

Size Charts

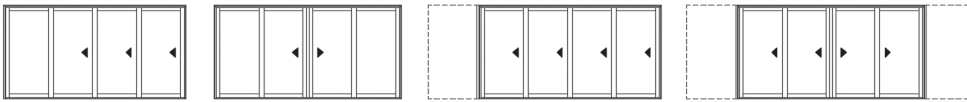


Contemporary Collection Multi-Slide Windows - (8720)																					
	Call-out size		Jamb Dimension			Exterior Exposed Jamb Width	Exterior Pocket Width	Rough Opening			Metric R.O. (mm)			Glass Size							
	Width	x Height	Width	x	Height			Width	x	Height	Width	x	Height	Width	x	Height					
3 Panel Windows - No Pocket	3-0	x 3-0	104	1/4	x 38	5/8			105	1/4	x 39	1/8	2673	x	994	30	1/2	x 30	1/2		
	4-0	x 3-0	140	1/4	x 38	5/8			141	1/4	x 39	1/8	3588	x	994	42	1/2	x 30	1/2		
	5-0	x 3-0	176	1/4	x 38	5/8			177	1/4	x 39	1/8	4502	x	994	54	1/2	x 30	1/2		
	3-0	x 4-0	104	1/4	x 50	5/8			105	1/4	x 51	1/8	2673	x	1299	30	1/2	x 42	1/2		
	4-0	x 4-0	140	1/4	x 50	5/8			141	1/4	x 51	1/8	3588	x	1299	42	1/2	x 42	1/2		
	5-0	x 4-0	176	1/4	x 50	5/8			177	1/4	x 51	1/8	4502	x	1299	54	1/2	x 42	1/2		
	3-0	x 5-0	104	1/4	x 62	5/8			105	1/4	x 63	1/8	2673	x	1603	30	1/2	x 54	1/2		
	4-0	x 5-0	140	1/4	x 62	5/8			141	1/4	x 63	1/8	3588	x	1603	42	1/2	x 54	1/2		
	5-0	x 5-0	176	1/4	x 62	5/8			177	1/4	x 63	1/8	4502	x	1603	54	1/2	x 54	1/2		
	3-0	x 6-0	104	1/4	x 74	5/8			105	1/4	x 75	1/8	2673	x	1908	30	1/2	x 66	1/2		
	4-0	x 6-0	140	1/4	x 74	5/8			141	1/4	x 75	1/8	3588	x	1908	42	1/2	x 66	1/2		
	5-0	x 6-0	176	1/4	x 74	5/8			177	1/4	x 75	1/8	4502	x	1908	54	1/2	x 66	1/2		
	3 Panel Windows - 1 Pocket	3-0	x 3-0	142	3/16	x 38	5/8	104	3/16	37	143	3/16	x 39	1/8	3637	x	994	30	1/2	x 30	1/2
		4-0	x 3-0	190	3/16	x 38	5/8	140	3/16	49	191	3/16	x 39	1/8	4856	x	994	42	1/2	x 30	1/2
		5-0	x 3-0	238	3/16	x 38	5/8	176	3/16	61	239	3/16	x 39	1/8	6075	x	994	54	1/2	x 30	1/2
3-0		x 4-0	142	3/16	x 50	5/8	104	3/16	37	143	3/16	x 51	1/8	3637	x	1299	30	1/2	x 42	1/2	
4-0		x 4-0	190	3/16	x 50	5/8	140	3/16	49	191	3/16	x 51	1/8	4856	x	1299	42	1/2	x 42	1/2	
5-0		x 4-0	238	3/16	x 50	5/8	176	3/16	61	239	3/16	x 51	1/8	6075	x	1299	54	1/2	x 42	1/2	
3-0		x 5-0	142	3/16	x 62	5/8	104	3/16	37	143	3/16	x 63	1/8	3637	x	1603	30	1/2	x 54	1/2	
4-0		x 5-0	190	3/16	x 62	5/8	140	3/16	49	191	3/16	x 63	1/8	4856	x	1603	42	1/2	x 54	1/2	
5-0		x 5-0	238	3/16	x 62	5/8	176	3/16	61	239	3/16	x 63	1/8	6075	x	1603	54	1/2	x 54	1/2	
3-0		x 6-0	142	3/16	x 74	5/8	104	3/16	37	143	3/16	x 75	1/8	3637	x	1908	30	1/2	x 66	1/2	
4-0		x 6-0	190	3/16	x 74	5/8	140	3/16	49	191	3/16	x 75	1/8	4856	x	1908	42	1/2	x 66	1/2	
5-0		x 6-0	238	3/16	x 74	5/8	176	3/16	61	239	3/16	x 75	1/8	6075	x	1908	54	1/2	x 66	1/2	

The Weather Shield Contemporary Collection

4-PANEL MULTI-SLIDE WINDOWS (8720)

Size Charts

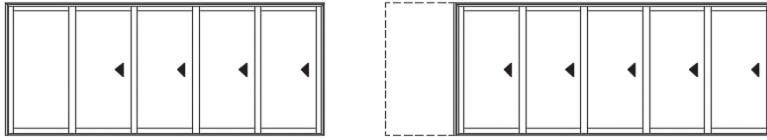


Contemporary Collection Multi-Slide windows - (8720)																					
	Call-out size		Jamb Dimension			Exterior Exposed Jamb Width	Exterior Pocket Width	Rough Opening			Metric R.O. (mm)			Glass Size							
	Width	x Height	Width	x	Height			Width	x	Height	Width	x	Height	Width	x	Height					
4 Panel Windows - No Pocket	3-0	x 3-0	137	3/8	x 38	5/8		138	3/8	x 39	1/8	3515	x	994	30	1/2	x 30	1/2			
	4-0	x 3-0	185	3/8	x 38	5/8		186	3/8	x 39	1/8	4734	x	994	42	1/2	x 30	1/2			
	5-0	x 3-0	233	3/8	x 38	5/8		234	3/8	x 39	1/8	5953	x	994	54	1/2	x 30	1/2			
	3-0	x 4-0	137	3/8	x 50	5/8		138	3/8	x 51	1/8	3515	x	1299	30	1/2	x 42	1/2			
	4-0	x 4-0	185	3/8	x 50	5/8		186	3/8	x 51	1/8	4734	x	1299	42	1/2	x 42	1/2			
	5-0	x 4-0	233	3/8	x 50	5/8		234	3/8	x 51	1/8	5953	x	1299	54	1/2	x 42	1/2			
	3-0	x 5-0	137	3/8	x 62	5/8		138	3/8	x 63	1/8	3515	x	1603	30	1/2	x 54	1/2			
	4-0	x 5-0	185	3/8	x 62	5/8		186	3/8	x 63	1/8	4734	x	1603	42	1/2	x 54	1/2			
	5-0	x 5-0	233	3/8	x 62	5/8		234	3/8	x 63	1/8	5953	x	1603	54	1/2	x 54	1/2			
	3-0	x 6-0	137	3/8	x 74	5/8		138	3/8	x 75	1/8	3515	x	1908	30	1/2	x 66	1/2			
	4-0	x 6-0	185	3/8	x 74	5/8		186	3/8	x 75	1/8	4734	x	1908	42	1/2	x 66	1/2			
	5-0	x 6-0	233	3/8	x 74	5/8		234	3/8	x 75	1/8	5953	x	1908	54	1/2	x 66	1/2			
	4 Bi-Parting Panel Windows - No Pocket	3-0	x 3-0	141		x 38	5/8		142		x 39	1/8	3607	x	994	30	1/2	x 30	1/2		
		4-0	x 3-0	189		x 38	5/8		190		x 39	1/8	4826	x	994	42	1/2	x 30	1/2		
		5-0	x 3-0	237		x 38	5/8		238		x 39	1/8	6045	x	994	54	1/2	x 30	1/2		
3-0		x 4-0	141		x 50	5/8		142		x 51	1/8	3607	x	1299	30	1/2	x 42	1/2			
4-0		x 4-0	189		x 50	5/8		190		x 51	1/8	4826	x	1299	42	1/2	x 42	1/2			
5-0		x 4-0	237		x 50	5/8		238		x 51	1/8	6045	x	1299	54	1/2	x 42	1/2			
3-0		x 5-0	141		x 62	5/8		142		x 63	1/8	3607	x	1603	30	1/2	x 54	1/2			
4-0		x 5-0	189		x 62	5/8		190		x 63	1/8	4826	x	1603	42	1/2	x 54	1/2			
5-0		x 5-0	237		x 62	5/8		238		x 63	1/8	6045	x	1603	54	1/2	x 54	1/2			
3-0		x 6-0	141		x 74	5/8		142		x 75	1/8	3607	x	1908	30	1/2	x 66	1/2			
4-0		x 6-0	189		x 74	5/8		190		x 75	1/8	4826	x	1908	42	1/2	x 66	1/2			
5-0		x 6-0	237		x 74	5/8		238		x 75	1/8	6045	x	1908	54	1/2	x 66	1/2			
4 Panel Windows - 1 Pocket		3-0	x 3-0	175	5/16	x 38	5/8	137	5/16	37	176	5/16	x 39	1/8	4478	x	994	30	1/2	x 30	1/2
		4-0	x 3-0	235	5/16	x 38	5/8	185	5/16	49	236	5/16	x 39	1/8	6002	x	994	42	1/2	x 30	1/2
		3-0	x 4-0	175	5/16	x 50	5/8	137	5/16	37	176	5/16	x 51	1/8	4478	x	1299	30	1/2	x 42	1/2
	4-0	x 4-0	235	5/16	x 50	5/8	185	5/16	49	236	5/16	x 51	1/8	6002	x	1299	42	1/2	x 42	1/2	
	3-0	x 5-0	175	5/16	x 62	5/8	137	5/16	37	176	5/16	x 63	1/8	4478	x	1603	30	1/2	x 54	1/2	
	4-0	x 5-0	235	5/16	x 62	5/8	185	5/16	49	236	5/16	x 63	1/8	6002	x	1603	42	1/2	x 54	1/2	
	3-0	x 6-0	175	5/16	x 74	5/8	137	5/16	37	176	5/16	x 75	1/8	4478	x	1908	30	1/2	x 66	1/2	
	4-0	x 6-0	235	5/16	x 74	5/8	185	5/16	49	236	5/16	x 75	1/8	6002	x	1908	42	1/2	x 66	1/2	
4 Bi-Parting Panel Windows - 2 Pockets	3-0	x 3-0	216	7/8	x 38	5/8	140	7/8	37	217	7/8	x 39	1/8	5534	x	994	30	1/2	x 30	1/2	
	4-0	x 3-0	288	7/8	x 38	5/8	188	7/8	49	289	7/8	x 39	1/8	7363	x	994	42	1/2	x 30	1/2	
	5-0	x 3-0	360	7/8	x 38	5/8	236	7/8	61	361	7/8	x 39	1/8	9192	x	994	54	1/2	x 30	1/2	
	3-0	x 4-0	216	7/8	x 50	5/8	140	7/8	37	217	7/8	x 51	1/8	5534	x	1299	30	1/2	x 42	1/2	
	4-0	x 4-0	288	7/8	x 50	5/8	188	7/8	49	289	7/8	x 51	1/8	7363	x	1299	42	1/2	x 42	1/2	
	5-0	x 4-0	360	7/8	x 50	5/8	236	7/8	61	361	7/8	x 51	1/8	9192	x	1299	54	1/2	x 42	1/2	
	3-0	x 5-0	216	7/8	x 62	5/8	140	7/8	37	217	7/8	x 63	1/8	5534	x	1603	30	1/2	x 54	1/2	
	4-0	x 5-0	288	7/8	x 62	5/8	188	7/8	49	289	7/8	x 63	1/8	7363	x	1603	42	1/2	x 54	1/2	
	5-0	x 5-0	360	7/8	x 62	5/8	236	7/8	61	361	7/8	x 63	1/8	9192	x	1603	54	1/2	x 54	1/2	
	3-0	x 6-0	216	7/8	x 74	5/8	140	7/8	37	217	7/8	x 75	1/8	5534	x	1908	30	1/2	x 66	1/2	
	4-0	x 6-0	288	7/8	x 74	5/8	188	7/8	49	289	7/8	x 75	1/8	7363	x	1908	42	1/2	x 66	1/2	
	5-0	x 6-0	360	7/8	x 74	5/8	236	7/8	61	361	7/8	x 75	1/8	9192	x	1908	54	1/2	x 66	1/2	

The Weather Shield Contemporary Collection

5-PANEL MULTI-SLIDE WINDOWS (8720)

Size Charts

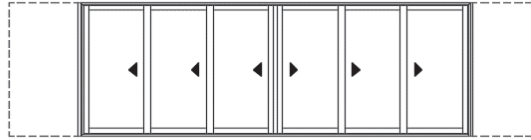
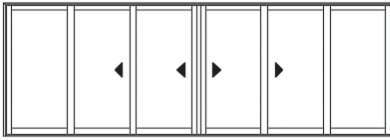


Contemporary Collection Multi-Slide Windows - (8720)																				
	Call-out size		Jamb Dimension			Exterior Exposed Jamb Width	Exterior Pocket Width	Rough Opening			Metric R.O. (mm)			Glass Size						
	Width	x Height	Width	x	Height			Width	x	Height	Width	x	Height	Width	x	Height				
5 Panel Windows - No Pocket	3-0	x 3-0	170	1/2	x 38	5/8			171	1/2	x 39	1/8	4356	x	994	30	1/2	x 30	1/2	
	4-0	x 3-0	230	1/2	x 38	5/8			231	1/2	x 39	1/8	5880	x	994	42	1/2	x 30	1/2	
	3-0	x 4-0	170	1/2	x 50	5/8			171	1/2	x 51	1/8	4356	x	1299	30	1/2	x 42	1/2	
	4-0	x 4-0	230	1/2	x 50	5/8			231	1/2	x 51	1/8	5880	x	1299	42	1/2	x 42	1/2	
	3-0	x 5-0	170	1/2	x 62	5/8			171	1/2	x 63	1/8	4356	x	1603	30	1/2	x 54	1/2	
	4-0	x 5-0	230	1/2	x 62	5/8			231	1/2	x 63	1/8	5880	x	1603	42	1/2	x 54	1/2	
	3-0	x 6-0	170	1/2	x 74	5/8			171	1/2	x 75	1/8	4356	x	1908	30	1/2	x 66	1/2	
	4-0	x 6-0	230	1/2	x 74	5/8			231	1/2	x 75	1/8	5880	x	1908	42	1/2	x 66	1/2	
5 Panel Windows - 1 Pocket	3-0	x 3-0	208	7/16	x 38	5/8	170	7/16	37	209	7/16	x 39	1/8	5320	x	994	30	1/2	x 30	1/2
	4-0	x 3-0	280	7/16	x 38	5/8	230	7/16	49	281	7/16	x 39	1/8	7149	x	994	42	1/2	x 30	1/2
	3-0	x 4-0	208	7/16	x 50	5/8	170	7/16	37	209	7/16	x 51	1/8	5320	x	1299	30	1/2	x 42	1/2
	4-0	x 4-0	280	7/16	x 50	5/8	230	7/16	49	281	7/16	x 51	1/8	7149	x	1299	42	1/2	x 42	1/2
	3-0	x 5-0	208	7/16	x 62	5/8	170	7/16	37	209	7/16	x 63	1/8	5320	x	1603	30	1/2	x 54	1/2
	4-0	x 5-0	280	7/16	x 62	5/8	230	7/16	49	281	7/16	x 63	1/8	7149	x	1603	42	1/2	x 54	1/2
	3-0	x 6-0	208	7/16	x 74	5/8	170	7/16	37	209	7/16	x 75	1/8	5320	x	1908	30	1/2	x 66	1/2
	4-0	x 6-0	280	7/16	x 74	5/8	230	7/16	49	281	7/16	x 75	1/8	7149	x	1908	42	1/2	x 66	1/2

The Weather Shield Contemporary Collection

6-PANEL MULTI-SLIDE WINDOWS (8720)

Size Charts

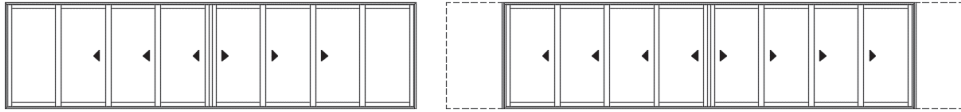


Contemporary Collection Multi-Slide windows - (8720)																				
	Call-out size		Jamb Dimension			Exterior Exposed Jamb Width	Exterior Pocket Width	Rough Opening			Metric R.O. (mm)			Glass Size						
	Width	x Height	Width	x	Height			Width	x	Height	Width	x	Height	Width	x	Height				
6 Bi-Parting Panel Windows - No Pocket	3-0	x 3-0	207	1/4	x 38	5/8		208	1/4	x 39	1/8	5290	x	994	30	1/2	x 30	1/2		
	4-0	x 3-0	279	1/4	x 38	5/8		280	1/4	x 39	1/8	7118	x	994	42	1/2	x 30	1/2		
	5-0	x 3-0	351	1/4	x 38	5/8		352	1/4	x 39	1/8	8947	x	994	54	1/2	x 30	1/2		
	3-0	x 4-0	207	1/4	x 50	5/8		208	1/4	x 51	1/8	5290	x	1299	30	1/2	x 42	1/2		
	4-0	x 4-0	279	1/4	x 50	5/8		280	1/4	x 51	1/8	7118	x	1299	42	1/2	x 42	1/2		
	5-0	x 4-0	351	1/4	x 50	5/8		352	1/4	x 51	1/8	8947	x	1299	54	1/2	x 42	1/2		
	3-0	x 5-0	207	1/4	x 62	5/8		208	1/4	x 63	1/8	5290	x	1603	30	1/2	x 54	1/2		
	4-0	x 5-0	279	1/4	x 62	5/8		280	1/4	x 63	1/8	7118	x	1603	42	1/2	x 54	1/2		
	5-0	x 5-0	351	1/4	x 62	5/8		352	1/4	x 63	1/8	8947	x	1603	54	1/2	x 54	1/2		
	3-0	x 6-0	207	1/4	x 74	5/8		208	1/4	x 75	1/8	5290	x	1908	30	1/2	x 66	1/2		
	4-0	x 6-0	279	1/4	x 74	5/8		280	1/4	x 75	1/8	7118	x	1908	42	1/2	x 66	1/2		
	5-0	x 6-0	351	1/4	x 74	5/8		352	1/4	x 75	1/8	8947	x	1908	54	1/2	x 66	1/2		
6 Bi-Parting Panel Windows - 2 Pockets	3-0	x 3-0	283	1/8	x 38	5/8	207	1/8	37	284	1/8	x 39	1/8	7217	x	994	30	1/2	x 30	1/2
	4-0	x 3-0	379	1/8	x 38	5/8	279	1/8	49	380	1/8	x 39	1/8	9655	x	994	42	1/2	x 30	1/2
	5-0	x 3-0	475	1/8	x 38	5/8	351	1/8	61	476	1/8	x 39	1/8	12094	x	994	54	1/2	x 30	1/2
	3-0	x 4-0	283	1/8	x 50	5/8	207	1/8	37	284	1/8	x 51	1/8	7217	x	1299	30	1/2	x 42	1/2
	4-0	x 4-0	379	1/8	x 50	5/8	279	1/8	49	380	1/8	x 51	1/8	9655	x	1299	42	1/2	x 42	1/2
	5-0	x 4-0	475	1/8	x 50	5/8	351	1/8	61	476	1/8	x 51	1/8	12094	x	1299	54	1/2	x 42	1/2
	3-0	x 5-0	283	1/8	x 62	5/8	207	1/8	37	284	1/8	x 63	1/8	7217	x	1603	30	1/2	x 54	1/2
	4-0	x 5-0	379	1/8	x 62	5/8	279	1/8	49	380	1/8	x 63	1/8	9655	x	1603	42	1/2	x 54	1/2
	5-0	x 5-0	475	1/8	x 62	5/8	351	1/8	61	476	1/8	x 63	1/8	12094	x	1603	54	1/2	x 54	1/2
	3-0	x 6-0	283	1/8	x 74	5/8	207	1/8	37	284	1/8	x 75	1/8	7217	x	1908	30	1/2	x 66	1/2
	4-0	x 6-0	379	1/8	x 74	5/8	279	1/8	49	380	1/8	x 75	1/8	9655	x	1908	42	1/2	x 66	1/2
	5-0	x 6-0	475	1/8	x 74	5/8	351	1/8	61	476	1/8	x 75	1/8	12094	x	1908	54	1/2	x 66	1/2

The Weather Shield Contemporary Collection

8-PANEL MULTI-SLIDE WINDOWS (8720)

Size Charts

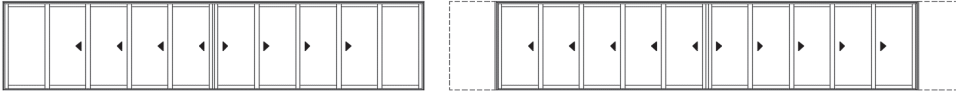


Contemporary Collection Multi-Slide windows - (8720)																							
	Call-out size		Jamb Dimension			Exterior Exposed Jamb Width	Exterior Pocket Width	Rough Opening			Metric R.O. (mm)			Glass Size									
	Width	x Height	Width	x	Height			Width	x	Height	Width	x	Height	Width	x	Height							
8 Bi-Parting Panel Windows - No Pocket	3-0	x 3-0	273	1/2	x	38	5/8			274	1/2	x	39	1/8	6972	x	994	30	1/2	x	30	1/2	
	4-0	x 3-0	369	1/2	x	38	5/8			370	1/2	x	39	1/8	9411	x	994	42	1/2	x	30	1/2	
	5-0	x 3-0	465	1/2	x	38	5/8			466	1/2	x	39	1/8	11849	x	994	54	1/2	x	30	1/2	
	3-0	x 4-0	273	1/2	x	50	5/8			274	1/2	x	51	1/8	6972	x	1299	30	1/2	x	42	1/2	
	4-0	x 4-0	369	1/2	x	50	5/8			370	1/2	x	51	1/8	9411	x	1299	42	1/2	x	42	1/2	
	5-0	x 4-0	465	1/2	x	50	5/8			466	1/2	x	51	1/8	11849	x	1299	54	1/2	x	42	1/2	
	3-0	x 5-0	273	1/2	x	62	5/8			274	1/2	x	63	1/8	6972	x	1603	30	1/2	x	54	1/2	
	4-0	x 5-0	369	1/2	x	62	5/8			370	1/2	x	63	1/8	9411	x	1603	42	1/2	x	54	1/2	
	5-0	x 5-0	465	1/2	x	62	5/8			466	1/2	x	63	1/8	11849	x	1603	54	1/2	x	54	1/2	
	3-0	x 6-0	273	1/2	x	74	5/8			274	1/2	x	75	1/8	6972	x	1908	30	1/2	x	66	1/2	
	4-0	x 6-0	369	1/2	x	74	5/8			370	1/2	x	75	1/8	9411	x	1908	42	1/2	x	66	1/2	
	5-0	x 6-0	465	1/2	x	74	5/8			466	1/2	x	75	1/8	11849	x	1908	54	1/2	x	66	1/2	
8 Bi-Parting Panel Windows - 2 Pockets	3-0	x 3-0	349	3/8	x	38	5/8	273	3/8	37	350	3/8	x	39	1/8	8900	x	994	30	1/2	x	30	1/2
	4-0	x 3-0	469	3/8	x	38	5/8	369	3/8	49	470	3/8	x	39	1/8	11948	x	994	42	1/2	x	30	1/2
	3-0	x 4-0	349	3/8	x	50	5/8	273	3/8	37	350	3/8	x	51	1/8	8900	x	1299	30	1/2	x	42	1/2
	4-0	x 4-0	469	3/8	x	50	5/8	369	3/8	49	470	3/8	x	51	1/8	11948	x	1299	42	1/2	x	42	1/2
	3-0	x 5-0	349	3/8	x	62	5/8	273	3/8	37	350	3/8	x	63	1/8	8900	x	1603	30	1/2	x	54	1/2
	4-0	x 5-0	469	3/8	x	62	5/8	369	3/8	49	470	3/8	x	63	1/8	11948	x	1603	42	1/2	x	54	1/2
	3-0	x 6-0	349	3/8	x	74	5/8	273	3/8	37	350	3/8	x	75	1/8	8900	x	1908	30	1/2	x	66	1/2
	4-0	x 6-0	469	3/8	x	74	5/8	369	3/8	49	470	3/8	x	75	1/8	11948	x	1908	42	1/2	x	66	1/2

The Weather Shield Contemporary Collection

10-PANEL MULTI-SLIDE WINDOWS (8720)

Size Charts

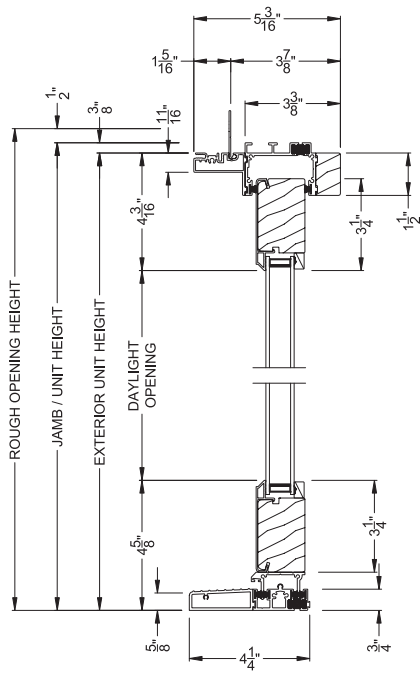


Contemporary Collection Multi-Slide windows - (8720)																					
	Call-out size		Jamb Dimension			Exterior Exposed Jamb Width	Exterior Pocket Width	Rough Opening			Metric R.O. (mm)			Glass Size							
	Width	x Height	Width	x	Height			Width	x	Height	Width	x	Height	Width	x	Height					
10 Bi-Parting Panel Windows - No Pocket	3-0	x 3-0	339	3/4	x 38	5/8			340	3/4	x 39	1/8	8655	x	994	30	1/2	x	30	1/2	
	4-0	x 3-0	459	3/4	x 38	5/8			460	3/4	x 39	1/8	11703	x	994	42	1/2	x	30	1/2	
	3-0	x 4-0	339	3/4	x 50	5/8			340	3/4	x 51	1/8	8655	x	1299	30	1/2	x	42	1/2	
	4-0	x 4-0	459	3/4	x 50	5/8			460	3/4	x 51	1/8	11703	x	1299	42	1/2	x	42	1/2	
	3-0	x 5-0	339	3/4	x 62	5/8			340	3/4	x 63	1/8	8655	x	1603	30	1/2	x	54	1/2	
	4-0	x 5-0	459	3/4	x 62	5/8			460	3/4	x 63	1/8	11703	x	1603	42	1/2	x	54	1/2	
	3-0	x 6-0	339	3/4	x 74	5/8			340	3/4	x 75	1/8	8655	x	1908	30	1/2	x	66	1/2	
	4-0	x 6-0	459	3/4	x 74	5/8			460	3/4	x 75	1/8	11703	x	1908	42	1/2	x	66	1/2	
10 Bi-Parting Panel Windows - 2 Pockets	3-0	x 3-0	415	5/8	x 38	5/8	339	5/8	37	416	5/8	x 39	1/8	10582	x	994	30	1/2	x	30	1/2
	4-0	x 3-0	559	5/8	x 38	5/8	459	5/8	49	560	5/8	x 39	1/8	14240	x	994	42	1/2	x	30	1/2
	3-0	x 4-0	415	5/8	x 50	5/8	339	5/8	37	416	5/8	x 51	1/8	10582	x	1299	30	1/2	x	42	1/2
	4-0	x 4-0	559	5/8	x 50	5/8	459	5/8	49	560	5/8	x 51	1/8	14240	x	1299	42	1/2	x	42	1/2
	3-0	x 5-0	415	5/8	x 62	5/8	339	5/8	37	416	5/8	x 63	1/8	10582	x	1603	30	1/2	x	54	1/2
	4-0	x 5-0	559	5/8	x 62	5/8	459	5/8	49	560	5/8	x 63	1/8	14240	x	1603	42	1/2	x	54	1/2
	3-0	x 6-0	415	5/8	x 74	5/8	339	5/8	37	416	5/8	x 75	1/8	10582	x	1908	30	1/2	x	66	1/2
	4-0	x 6-0	559	5/8	x 74	5/8	459	5/8	49	560	5/8	x 75	1/8	14240	x	1908	42	1/2	x	66	1/2

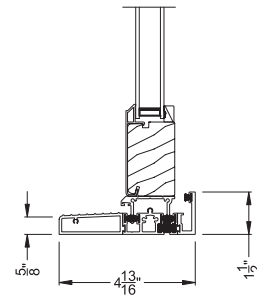
The Weather Shield Contemporary Collection

1-PANEL OR BI-PARTING 2-PANEL MULTI-SLIDE WINDOWS (8720)

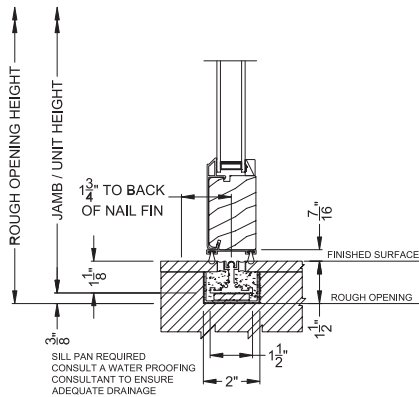
Cross Sections



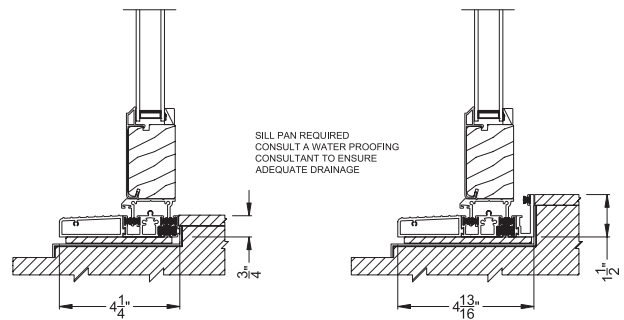
CONTEMPORARY 1-3/4" MULTI-SLIDE WINDOW (8720)
Vertical Section - Flush Sill - 1 or Bi-parting 2 Panel Window



CONTEMPORARY 1-3/4" MULTI-SLIDE WINDOW (8720)
Vertical Section - with Sill Riser - 1 or Bi-parting 2 Panel Window



CONTEMPORARY 1-3/4" MULTI-SLIDE WINDOW (8720)
Vertical Section - with T-track sill - 1 or Bi-parting 2 Panel Window



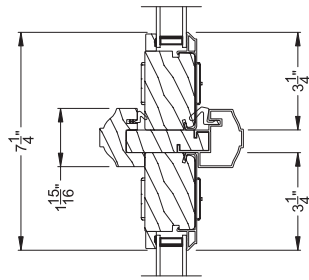
CONTEMPORARY 1-3/4" MULTI-SLIDE WINDOW (8720)
Vertical Section - With sill pan

Note: All dimensions are approximate. Weather Shield reserves the right to change specifications without notice.

The Weather Shield Contemporary Collection

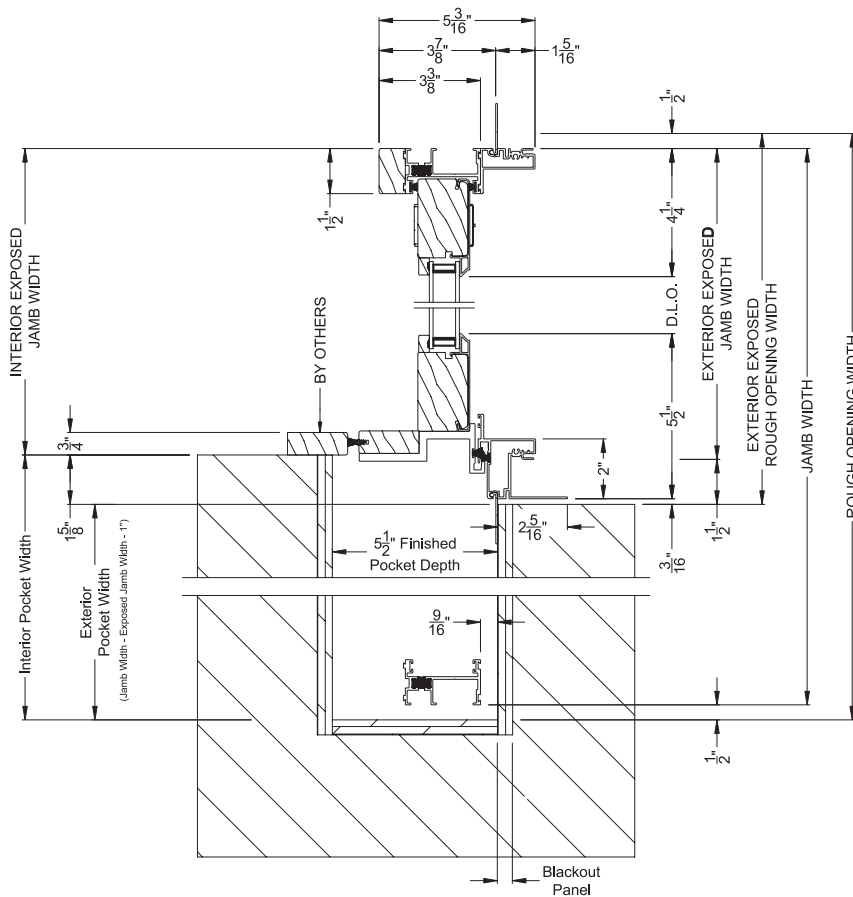
1-PANEL OR BI-PARTING 2-PANEL MULTI-SLIDE WINDOWS (8720)

Cross Sections



CONTEMPORARY 1-3/4" MULTI-SLIDE WINDOW (8720)

Horizontal Section - Bi-parting stiles



CONTEMPORARY 1-3/4" MULTI-SLIDE WINDOW (8720)

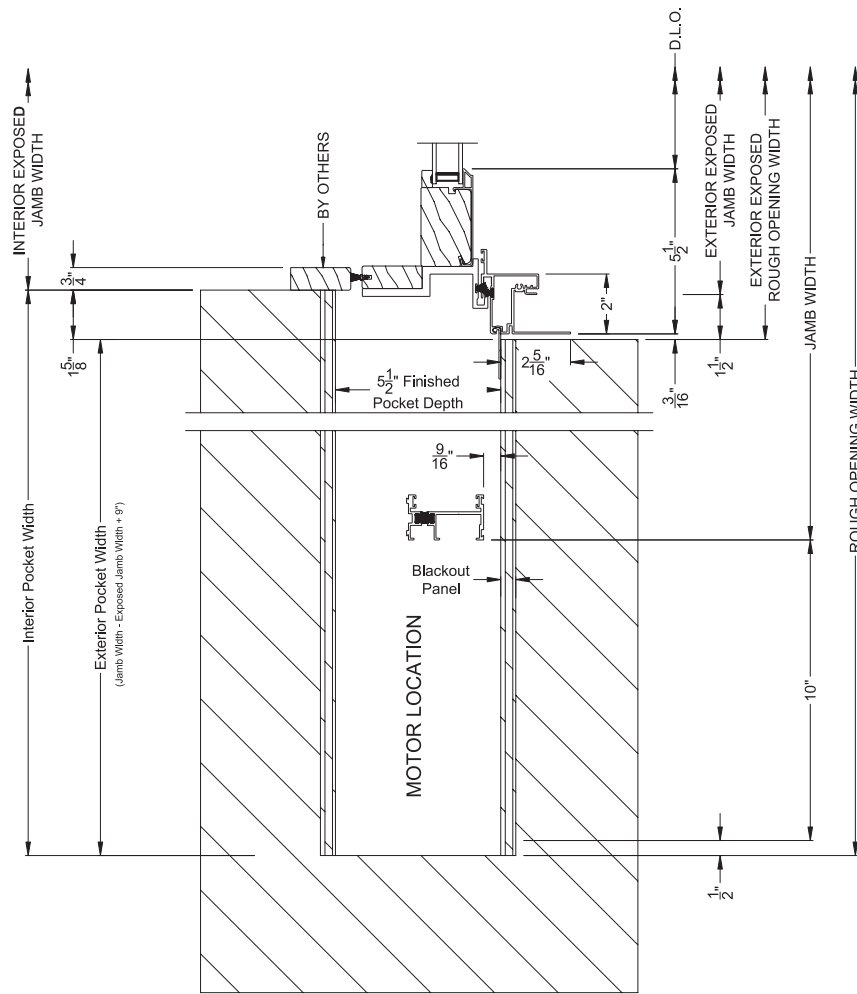
Horizontal Pocket Section - 1 or Bi-parting 2 Panel Window

Note: All dimensions are approximate. Weather Shield reserves the right to change specifications without notice.

The Weather Shield Contemporary Collection

1-PANEL OR BI-PARTING 2-PANEL MULTI-SLIDE WINDOWS (8720)

Cross Sections



CONTEMPORARY 1-3/4" MULTI-SLIDE WINDOW (8720)

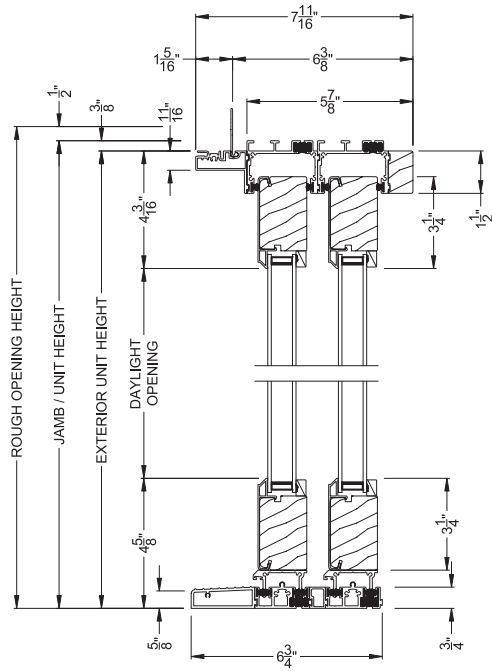
Horizontal Motorized Pocket Section - 1 or Bi-parting 2 Panel Window

Note: All dimensions are approximate. Weather Shield reserves the right to change specifications without notice.

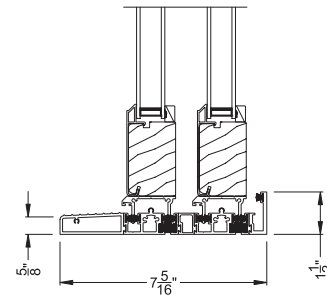
The Weather Shield Contemporary Collection

2-PANEL MULTI-SLIDE WINDOWS (8720)

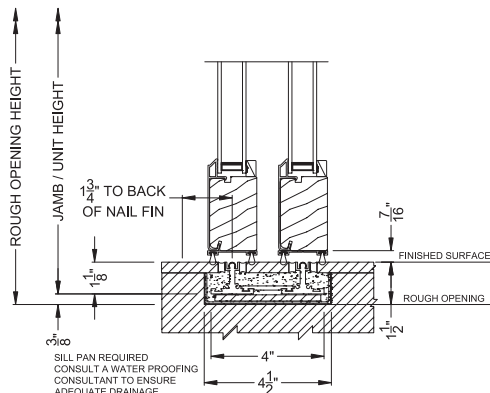
Cross Sections



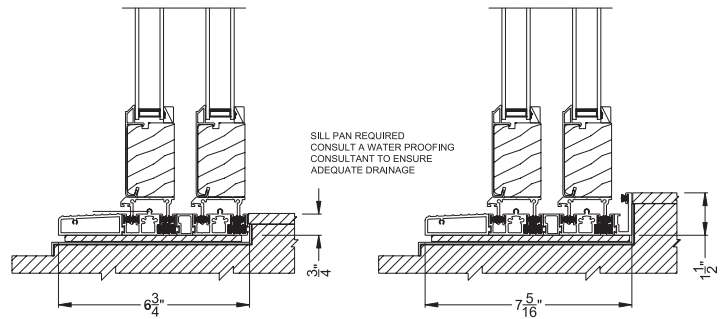
CONTEMPORARY 1-3/4" MULTI-SLIDE WINDOW (8720)
Vertical Section - Flush Sill - 2 or Bi-parting 4 Panel Window



CONTEMPORARY 1-3/4" MULTI-SLIDE WINDOW (8720)
Vertical Section - with Sill Riser - 2 or Bi-parting 4 Panel Window



CONTEMPORARY 1-3/4" MULTI-SLIDE WINDOW (8720)
Vertical Section - with T-track sill - 2 or Bi-parting 4 Panel Window



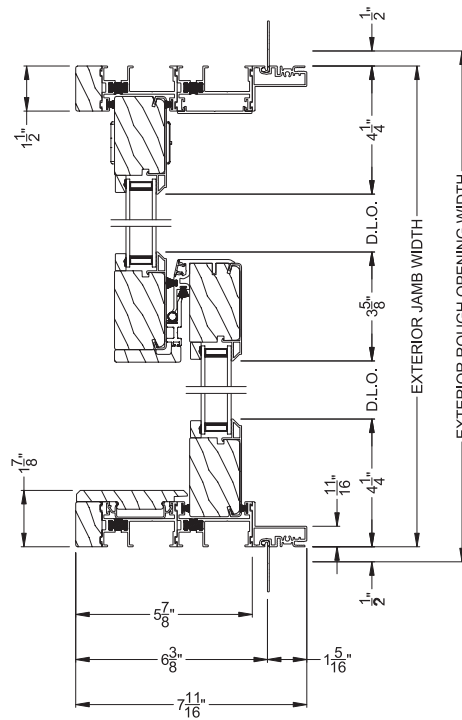
CONTEMPORARY 1-3/4" MULTI-SLIDE WINDOW (8720)
Vertical Section - With sill pan

Note: All dimensions are approximate. Weather Shield reserves the right to change specifications without notice.

The Weather Shield Contemporary Collection

2-PANEL OR BI-PARTING 4-PANEL MULTI-SLIDE WINDOWS (8720)

Cross Sections



CONTEMPORARY 1-3/4" MULTI-SLIDE WINDOW (8720)

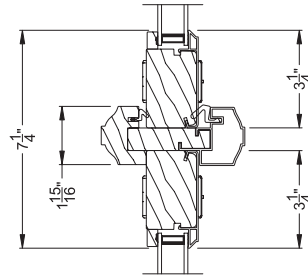
Horizontal Section - 2 Panel Window

Note: All dimensions are approximate. Weather Shield reserves the right to change specifications without notice.

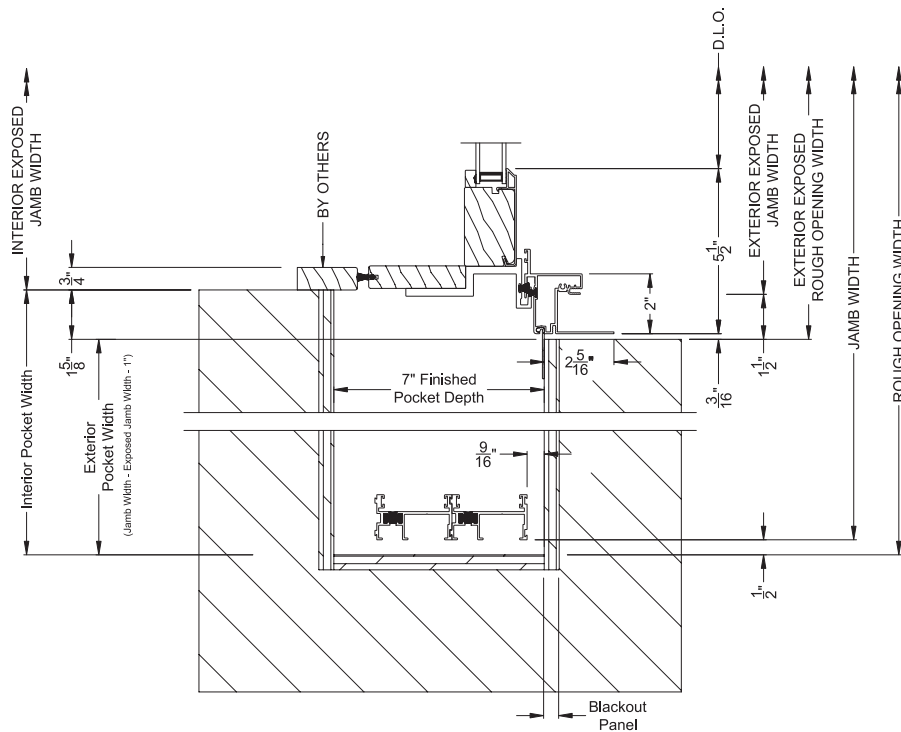
The Weather Shield Contemporary Collection

2-PANEL OR BI-PARTING 4-PANEL MULTI-SLIDE WINDOWS (8720)

Cross Sections



CONTEMPORARY 1-3/4" MULTI-SLIDE WINDOW (8720)
Horizontal Section - Bi-parting stiles



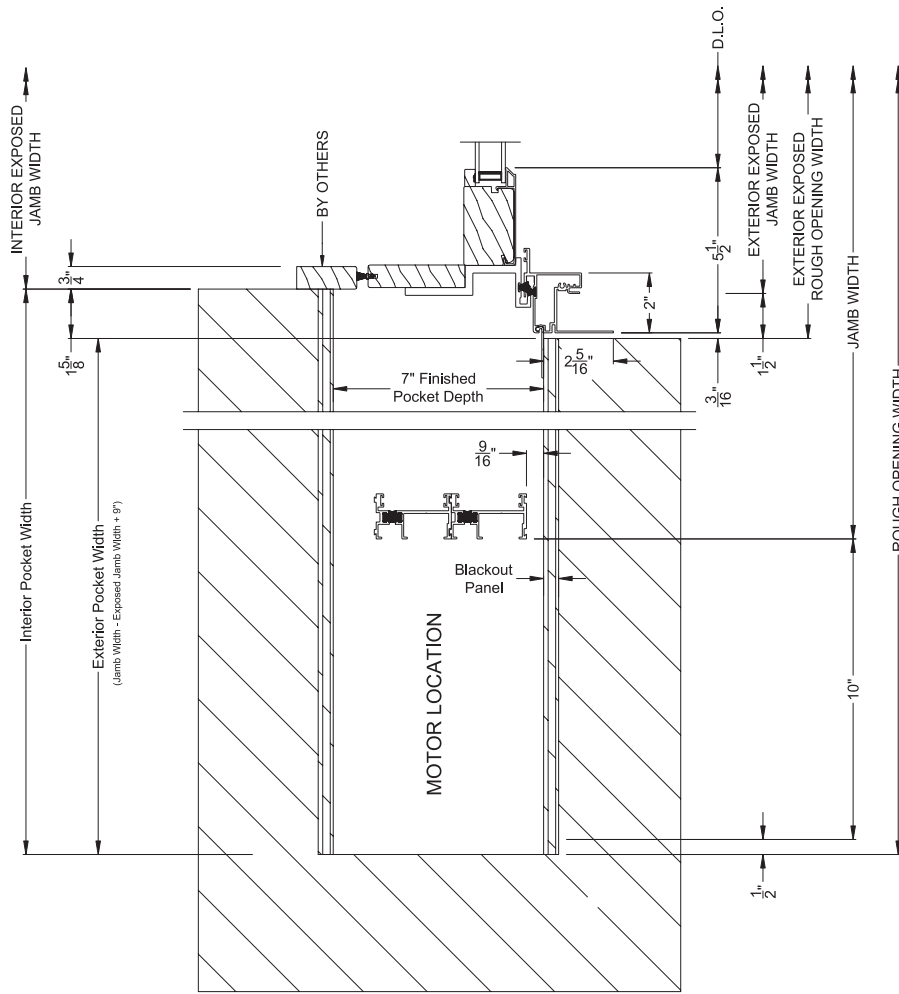
CONTEMPORARY 1-3/4" MULTI-SLIDE WINDOW (8720)
Horizontal Pocket Section - 2 or Bi-parting 4 Panel Window

Note: All dimensions are approximate. Weather Shield reserves the right to change specifications without notice.

The Weather Shield Contemporary Collection

2-PANEL OR BI-PARTING 4-PANEL MULTI-SLIDE WINDOWS (8720)

Cross Sections



CONTEMPORARY 1-3/4" MULTI-SLIDE WINDOW (8720)

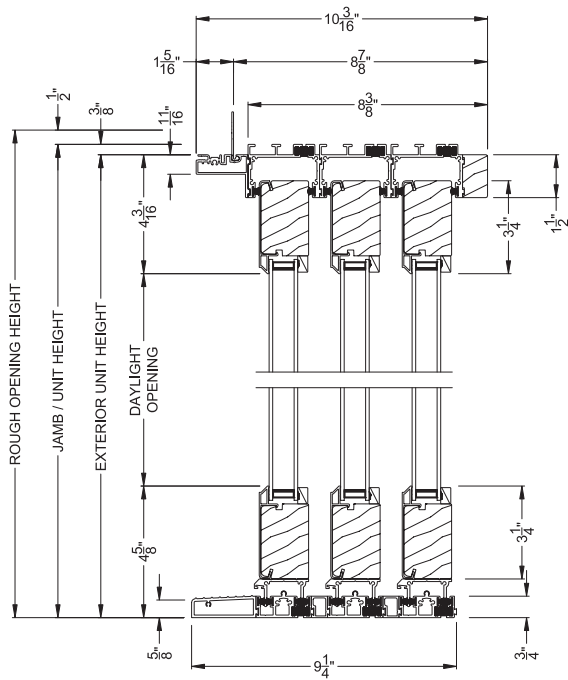
Horizontal Motorized Pocket Section - 2 or Bi-parting 4 Panel Window

Note: All dimensions are approximate. Weather Shield reserves the right to change specifications without notice.

The Weather Shield Contemporary Collection

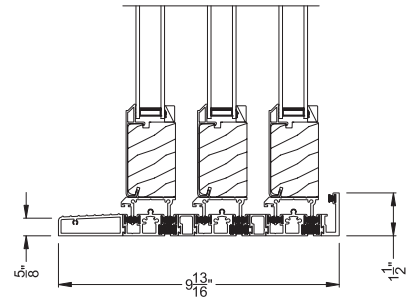
3-PANEL MULTI-SLIDE WINDOWS (8720)

Cross Sections



CONTEMPORARY 1-3/4" MULTI-SLIDE WINDOW (8720)

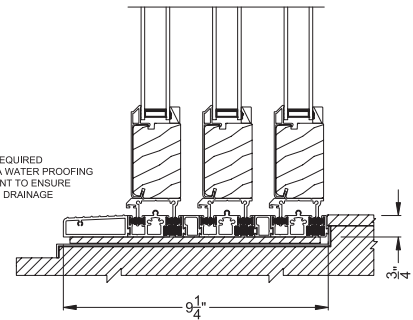
Vertical Section - with Sill Riser - 3 or Bi-parting 6 Panel Window



CONTEMPORARY 1-3/4" MULTI-SLIDE WINDOW (8720)

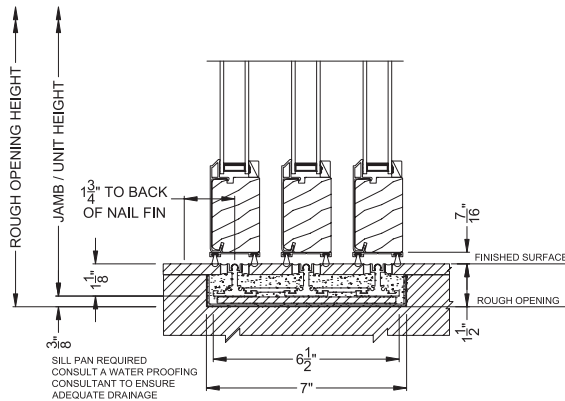
Vertical Section - Flush Sill - 3 or Bi-parting 6 Panel Window

SILL PAN REQUIRED
CONSULT A WATER PROOFING
CONSULTANT TO ENSURE
ADEQUATE DRAINAGE



CONTEMPORARY 1-3/4" MULTI-SLIDE WINDOW (8720)

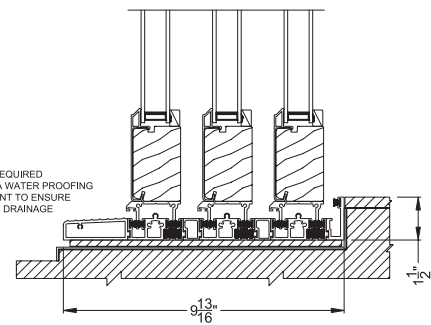
Vertical Section - With sill pan



CONTEMPORARY 1-3/4" MULTI-SLIDE WINDOW (8720)

Vertical Section - with T-track sill - 3 or Bi-parting 6 Panel Window

SILL PAN REQUIRED
CONSULT A WATER PROOFING
CONSULTANT TO ENSURE
ADEQUATE DRAINAGE



CONTEMPORARY 1-3/4" MULTI-SLIDE WINDOW (8720)

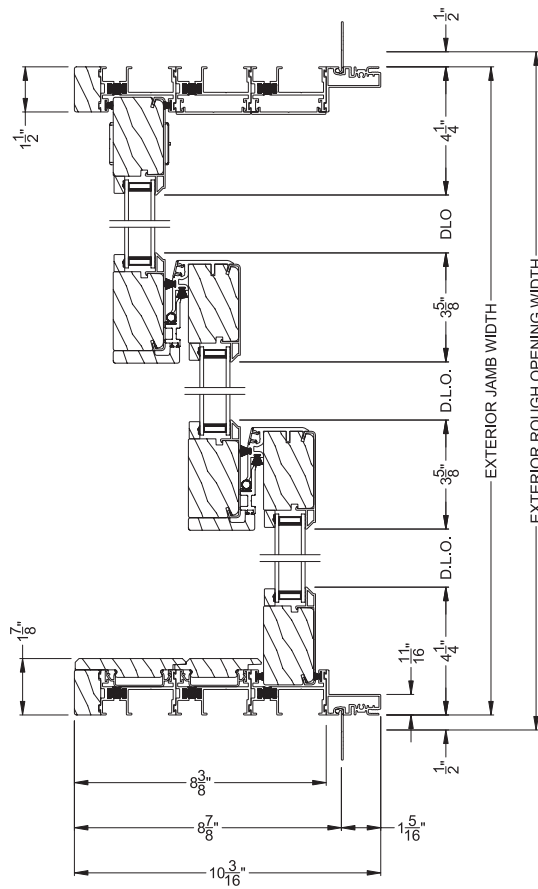
Vertical Section - With sill pan

Note: All dimensions are approximate. Weather Shield reserves the right to change specifications without notice.

The Weather Shield Contemporary Collection

3-PANEL OR BI-PARTING 6-PANEL MULTI-SLIDE WINDOWS (8720)

Cross Sections



CONTEMPORARY 1-3/4" MULTI-SLIDE WINDOW (8720)

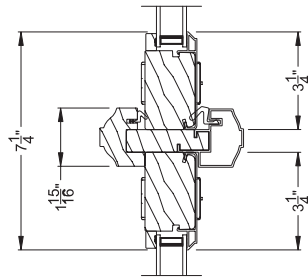
Horizontal Section - 3 Panel Window

Note: All dimensions are approximate. Weather Shield reserves the right to change specifications without notice.

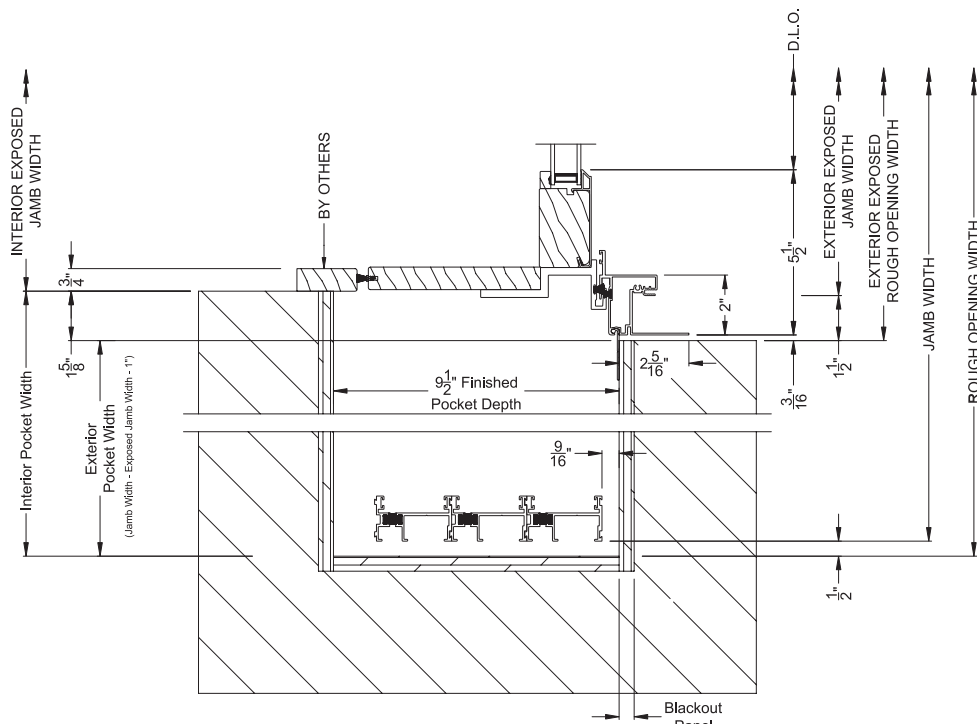
The Weather Shield Contemporary Collection

3-PANEL OR BI-PARTING 6-PANEL MULTI-SLIDE WINDOWS (8720)

Cross Sections



CONTEMPORARY 1-3/4" MULTI-SLIDE WINDOW (8720)
Horizontal Section - Bi-parting stiles



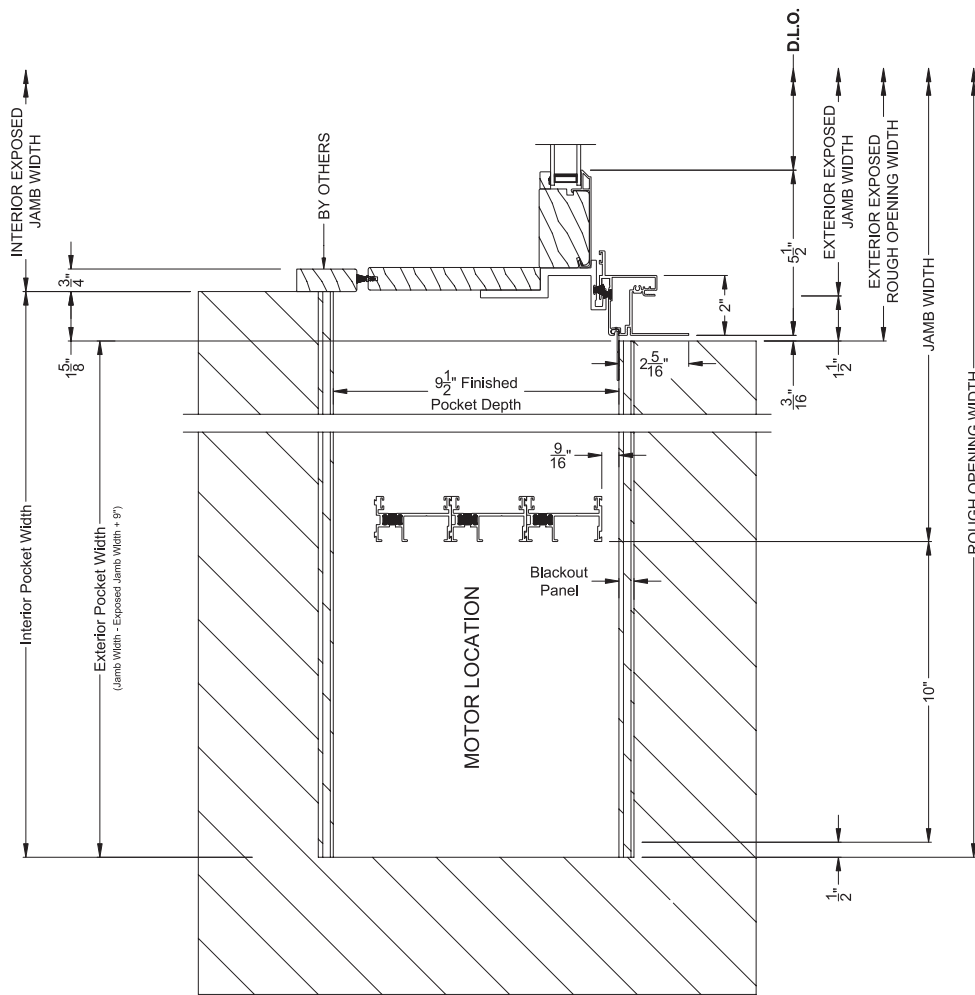
CONTEMPORARY 1-3/4" MULTI-SLIDE WINDOW (8720)
Horizontal Pocket Section - 3 or Bi-parting 6 Panel Window

Note: All dimensions are approximate. Weather Shield reserves the right to change specifications without notice.

The Weather Shield Contemporary Collection

3-PANEL OR BI-PARTING 6-PANEL MULTI-SLIDE WINDOWS (8720)

Cross Sections



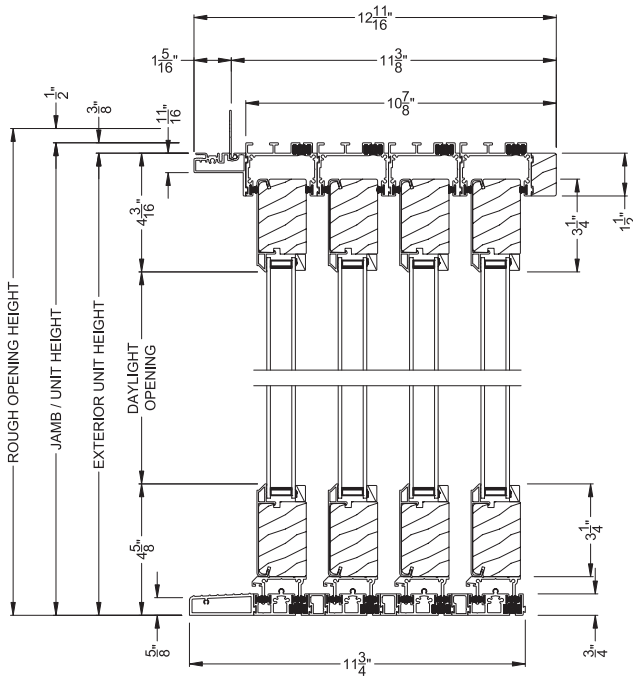
CONTEMPORARY 1-3/4" MULTI-SLIDE WINDOW (8720)
Horizontal Motorized Pocket Section - 3 or Bi-parting 6 Panel Window

Note: All dimensions are approximate. Weather Shield reserves the right to change specifications without notice.

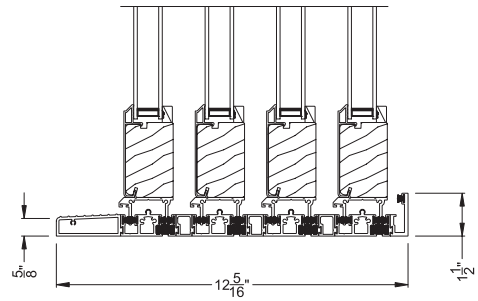
The Weather Shield Contemporary Collection

4-PANEL MULTI-SLIDE WINDOWS (8720)

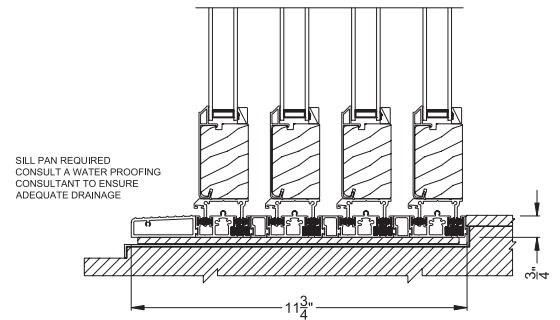
Cross Sections



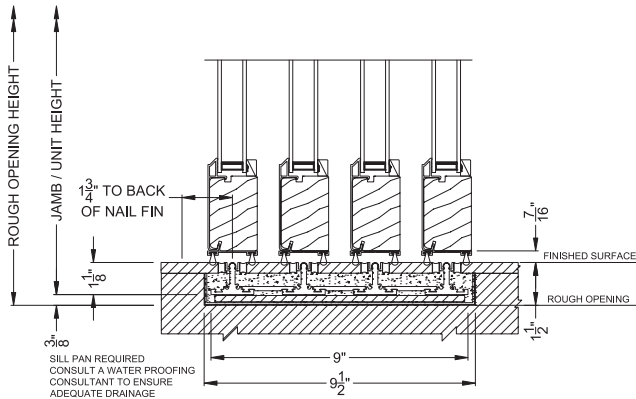
CONTEMPORARY 1-3/4" MULTI-SLIDE WINDOW (8720)
Vertical Section - Flush Sill - 4 or Bi-parting 8 Panel Window



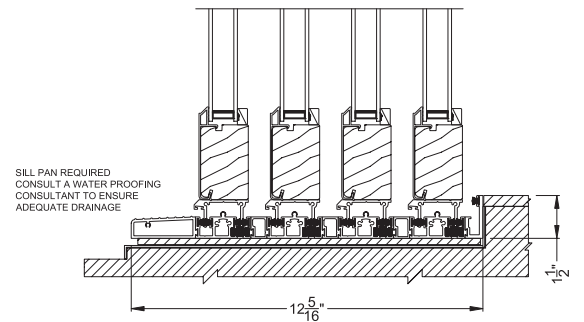
CONTEMPORARY 1-3/4" MULTI-SLIDE WINDOW (8720)
Vertical Section - with Sill Riser - 4 or Bi-parting 8 Panel Window



CONTEMPORARY 1-3/4" MULTI-SLIDE WINDOW (8720)
Vertical Section - With sill pan



CONTEMPORARY 1-3/4" MULTI-SLIDE WINDOW (8720)
Vertical Section - with T-track sill - 4 or Bi-parting 8 Panel Window



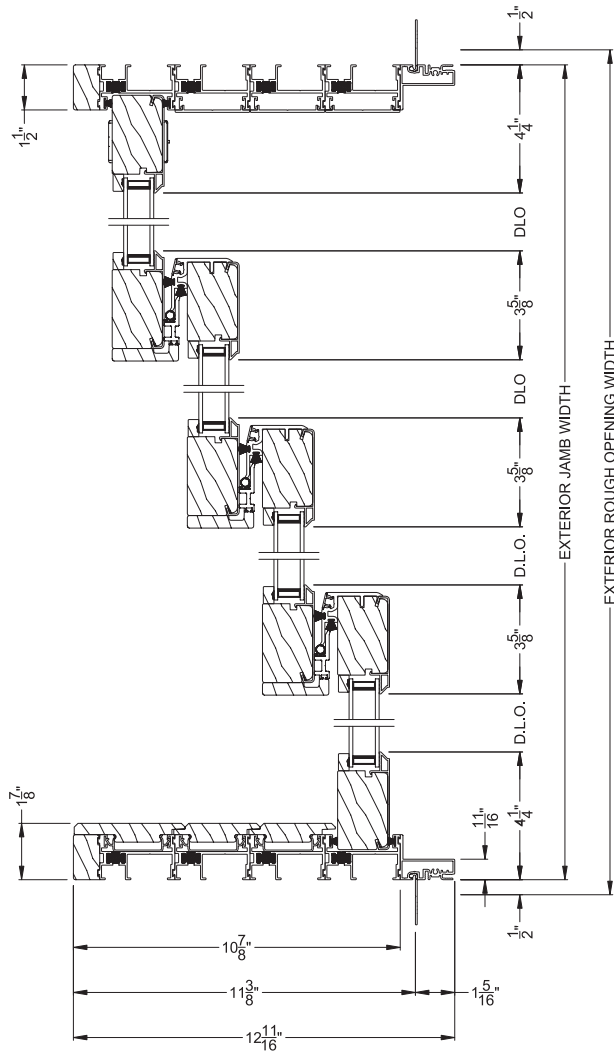
CONTEMPORARY 1-3/4" MULTI-SLIDE WINDOW (8720)
Vertical Section - With sill pan

Note: All dimensions are approximate. Weather Shield reserves the right to change specifications without notice.

The Weather Shield Contemporary Collection

4-PANEL OR BI-PARTING 8-PANEL MULTI-SLIDE WINDOWS (8720)

Cross Sections



CONTEMPORARY 1-3/4" MULTI-SLIDE WINDOW (8720)

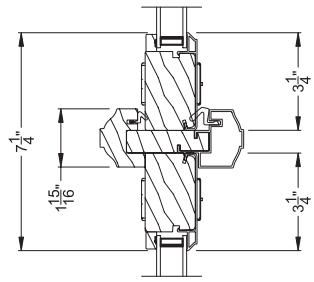
Horizontal Section - 4 Panel Window

Note: All dimensions are approximate. Weather Shield reserves the right to change specifications without notice.

The Weather Shield Contemporary Collection

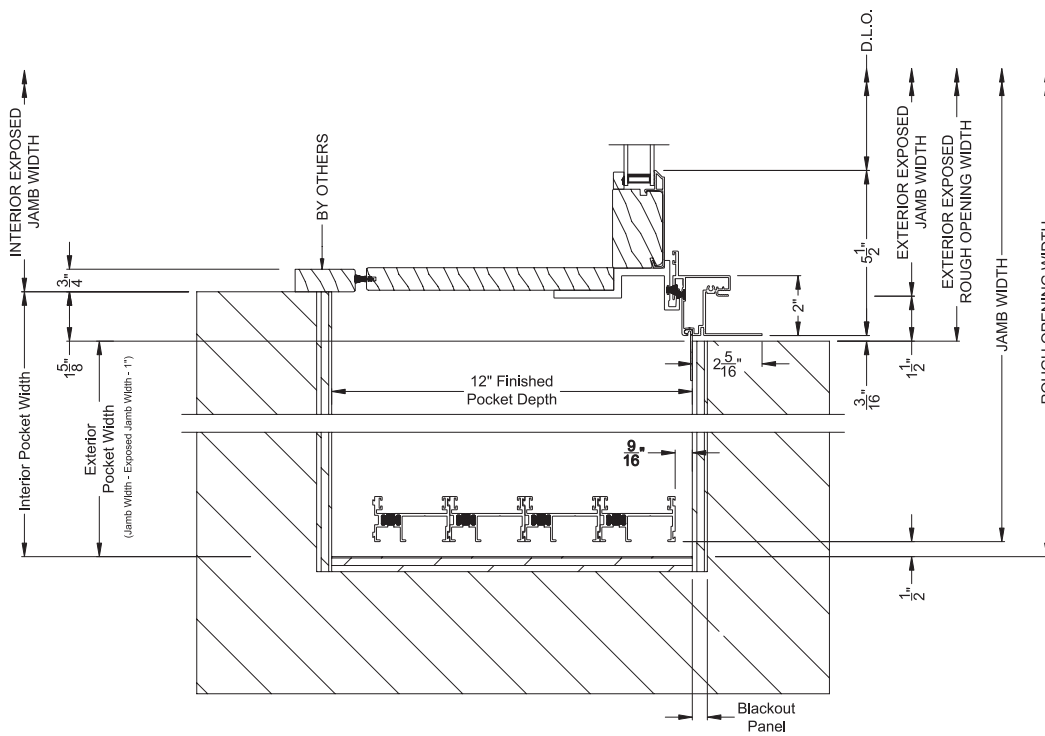
4-PANEL OR BI-PARTING 8-PANEL MULTI-SLIDE WINDOWS (8720)

Cross Sections



CONTEMPORARY 1-3/4" MULTI-SLIDE WINDOW (8720)

Horizontal Section - Bi-parting stiles



CONTEMPORARY 1-3/4" MULTI-SLIDE WINDOW (8720)

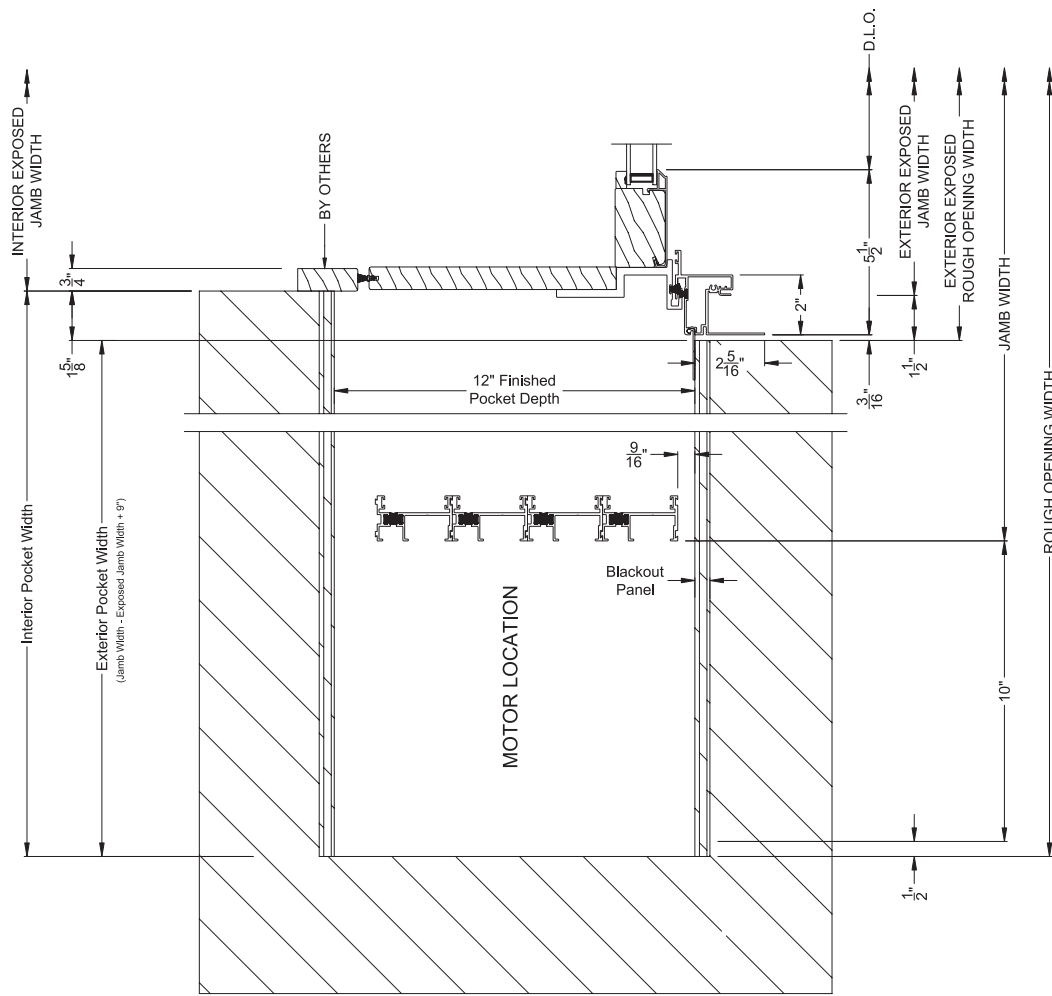
Horizontal Pocket Section - 4 or Bi-parting 8 Panel Window

Note: All dimensions are approximate. Weather Shield reserves the right to change specifications without notice.

The Weather Shield Contemporary Collection

4-PANEL OR BI-PARTING 8-PANEL MULTI-SLIDE WINDOWS (8720)

Cross Sections



CONTEMPORARY 1-3/4" MULTI-SLIDE WINDOW (8720)

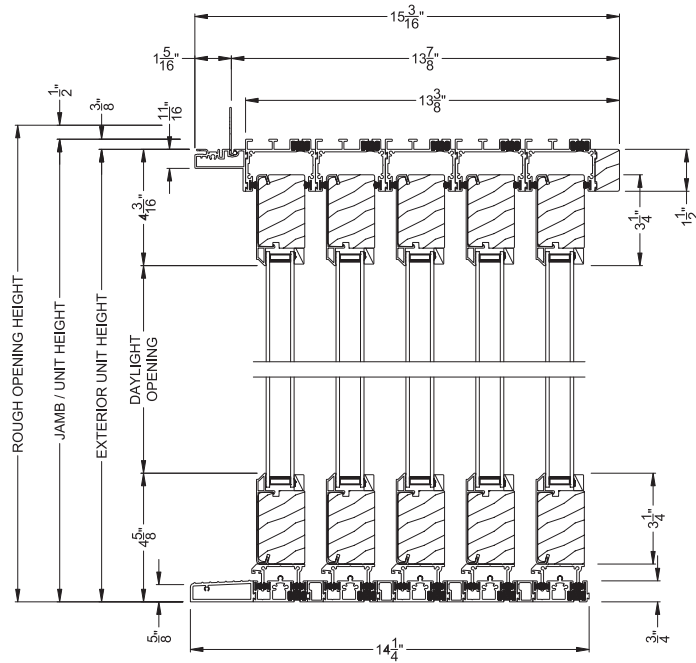
Horizontal Motorized Pocket Section - 4 or Bi-parting 8 Panel Window

Note: All dimensions are approximate. Weather Shield reserves the right to change specifications without notice.

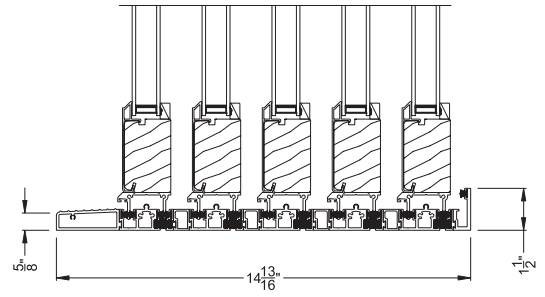
The Weather Shield Contemporary Collection

5-PANEL MULTI-SLIDE WINDOWS (8720)

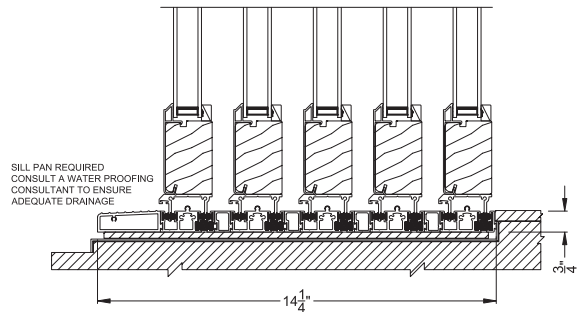
Cross Sections



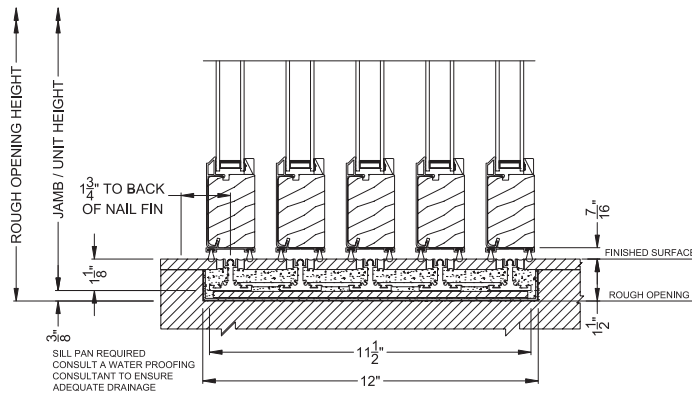
CONTEMPORARY 1-3/4" MULTI-SLIDE WINDOW (8720)
Vertical Section - Flush Sill - 5 or Bi-parting 10 Panel Window



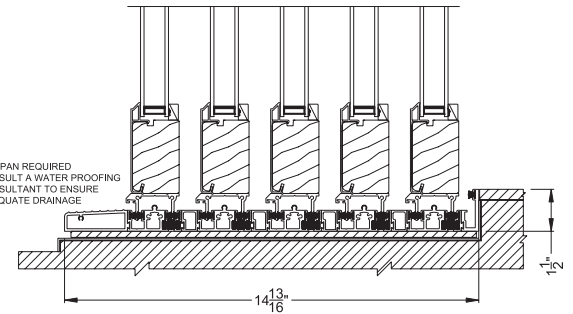
CONTEMPORARY 1-3/4" MULTI-SLIDE WINDOW (8720)
Vertical Section - with Sill Riser - 5 or Bi-parting 10 Panel Window



CONTEMPORARY 1-3/4" MULTI-SLIDE WINDOW (8720)
Vertical Section - with sill pan



CONTEMPORARY 1-3/4" MULTI-SLIDE WINDOW (8720)
Vertical Section - with T-track sill - 5 or Bi-parting 10 Panel Window



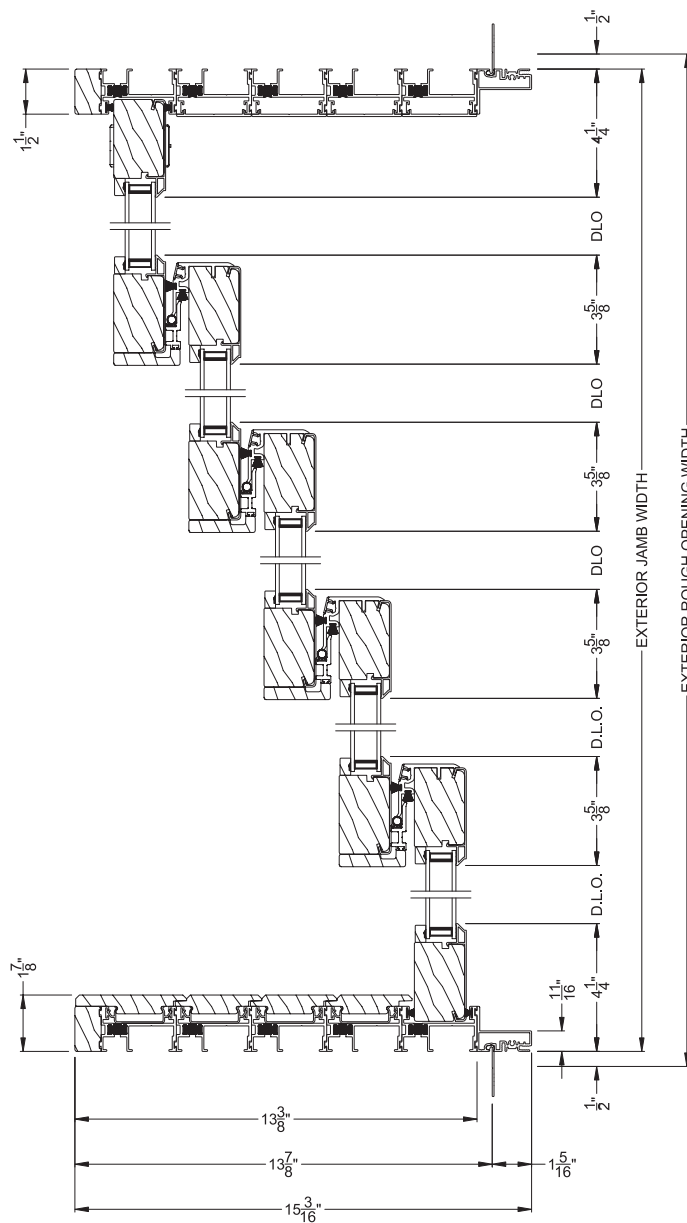
CONTEMPORARY 1-3/4" MULTI-SLIDE WINDOW (8720)
Vertical Section - with sill pan

Note: All dimensions are approximate. Weather Shield reserves the right to change specifications without notice.

The Weather Shield Contemporary Collection

5-PANEL OR BI-PARTING 10-PANEL MULTI-SLIDE WINDOWS (8720)

Cross Sections



CONTEMPORARY 1-3/4" MULTI-SLIDE WINDOW (8720)

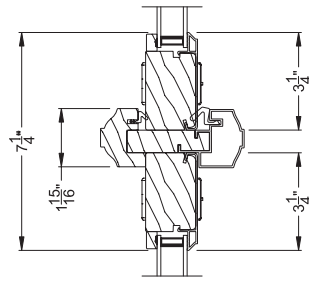
Horizontal Section - 5 Panel Window

Note: All dimensions are approximate. Weather Shield reserves the right to change specifications without notice.

The Weather Shield Contemporary Collection

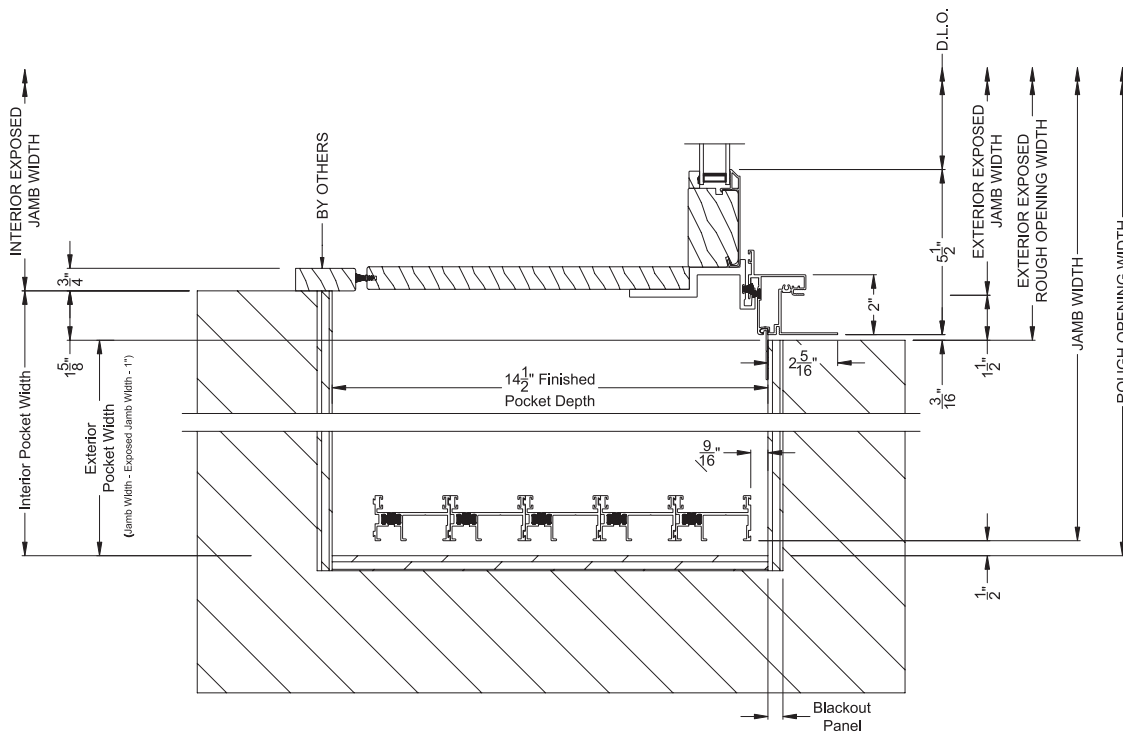
5-PANEL OR BI-PARTING 10-PANEL MULTI-SLIDE WINDOWS (8720)

Cross Sections



CONTEMPORARY 1-3/4" MULTI-SLIDE WINDOW (8720)

Horizontal Section - Bi-parting stiles



CONTEMPORARY 1-3/4" MULTI-SLIDE WINDOW (8720)

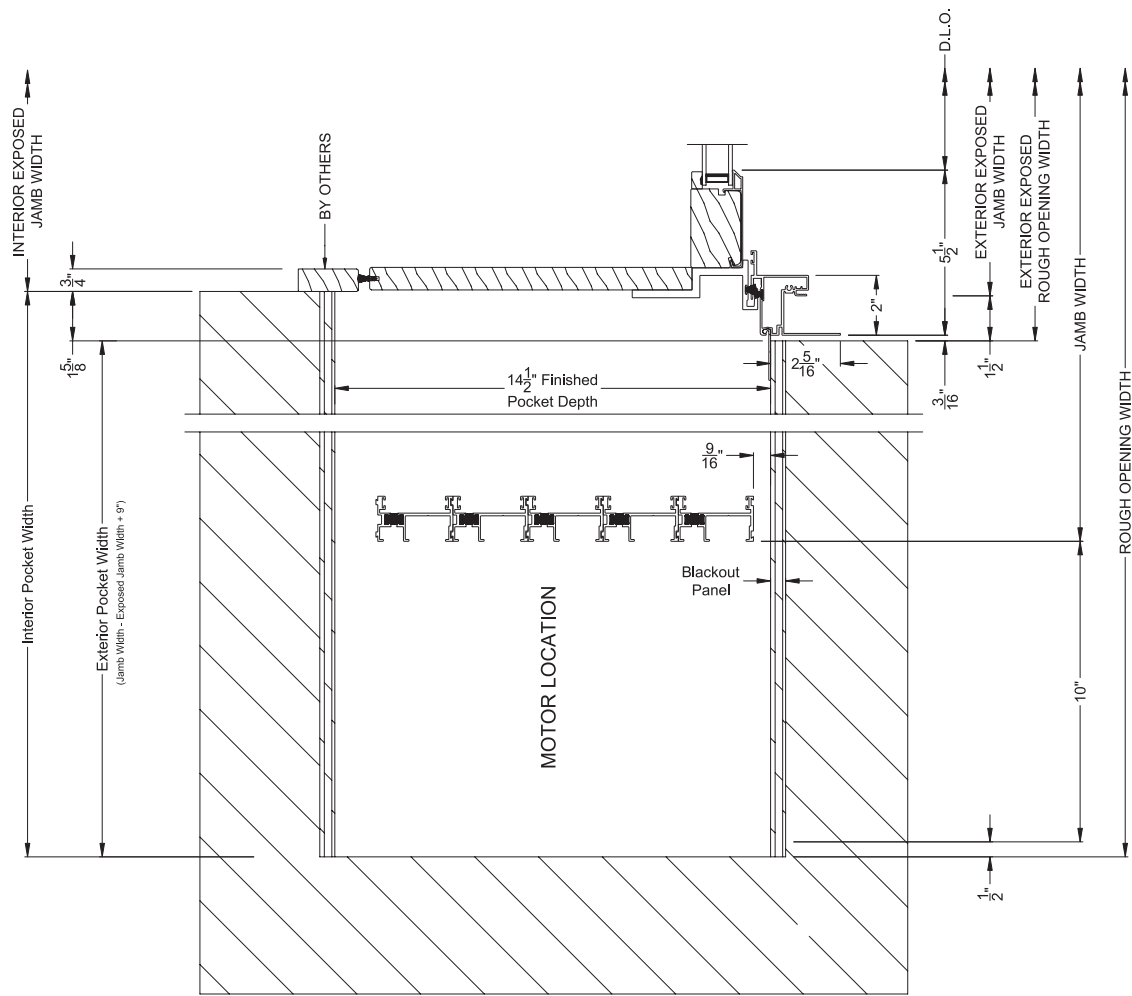
Horizontal Pocket Section - 5 or Bi-parting 10 Panel Window

Note: All dimensions are approximate. Weather Shield reserves the right to change specifications without notice.

The Weather Shield Contemporary Collection

5-PANEL OR BI-PARTING 10-PANEL MULTI-SLIDE WINDOWS (8720)

Cross Sections



CONTEMPORARY 1-3/4" MULTI-SLIDE WINDOW (8720)

Horizontal Motorized Pocket Section - 5 or Bi-parting 10 Panel Window

Note: All dimensions are approximate. Weather Shield reserves the right to change specifications without notice.

The Weather Shield Contemporary Collection

MULTI-SLIDE WINDOWS (8720)

Opening Specifications

	Unit Code	Sq. Ft. Clear Opening / Vent			Clear Opening				Sq. Ft. DLO 3-1/4" Rail	Floor to Bottom of Clear Opening ^a	Sq. Ft. Overall Unit Area ^b
		Flush Sill	1.5" Riser	T-Track	Width	Height Flush Sill	Height 1.5" Riser	Height T-Track ^c			
2 Panel Windows	3-0 x 3-0	7.78	7.65	7.78	31.25	35.82	35.26	35.82	12.22	44.31	19.08
	4-0 x 3-0	10.76	10.59	10.76	43.25	35.82	35.26	35.82	17.16	44.31	25.52
	5-0 x 3-0	13.75	13.53	13.75	55.25	35.82	35.26	35.82	22.10	44.31	31.96
	3-0 x 4-0	10.38	10.26	10.38	31.25	47.82	47.26	47.82	17.18	32.31	25.01
	4-0 x 4-0	14.37	14.20	14.37	43.25	47.82	47.26	47.82	24.12	32.31	33.45
	5-0 x 4-0	18.35	18.13	18.35	55.25	47.82	47.26	47.82	31.06	32.31	41.88
	3-0 x 5-0	12.98	12.86	12.98	31.25	59.82	59.26	59.82	22.14	20.31	30.94
	4-0 x 5-0	17.97	17.80	17.97	43.25	59.82	59.26	59.82	31.08	20.31	41.37
	5-0 x 5-0	22.96	22.74	22.96	55.25	59.82	59.26	59.82	40.00	20.31	51.81
	3-0 x 6-0	15.59	15.47	15.59	31.25	71.82	71.26	71.82	27.08	8.31	36.87
4-0 x 6-0	21.57	21.41	21.57	43.25	71.82	71.26	71.82	38.02	8.31	49.30	
5-0 x 6-0	27.56	27.34	27.56	55.25	71.82	71.26	71.82	48.96	8.31	61.74	
3 Panel Windows	3-0 x 3-0	16.02	15.76	16.02	64.38	35.82	35.26	35.82	18.33	44.31	27.97
	4-0 x 3-0	21.99	21.64	21.99	88.38	35.82	35.26	35.82	25.74	44.31	37.62
	5-0 x 3-0	27.96	27.52	27.96	112.38	35.82	35.26	35.82	33.15	44.31	47.28
	3-0 x 4-0	21.38	21.13	21.38	64.38	47.82	47.26	47.82	25.77	32.31	36.65
	4-0 x 4-0	29.35	29.01	29.35	88.38	47.82	47.26	47.82	36.18	32.31	49.31
	5-0 x 4-0	37.32	36.88	37.32	112.38	47.82	47.26	47.82	46.59	32.31	61.97
	3-0 x 5-0	26.75	26.49	26.75	64.38	59.82	59.26	59.82	33.21	20.31	45.34
	4-0 x 5-0	36.72	36.37	36.72	88.38	59.82	59.26	59.82	46.62	20.31	61.00
	5-0 x 5-0	46.69	46.25	46.69	112.38	59.82	59.26	59.82	60.00	20.31	76.66
	3-0 x 6-0	32.11	31.86	32.11	64.38	71.82	71.26	71.82	40.62	8.31	54.03
4-0 x 6-0	44.08	43.74	44.08	88.38	71.82	71.26	71.82	57.03	8.31	72.69	
5-0 x 6-0	56.05	55.61	56.05	112.38	71.82	71.26	71.82	73.44	8.31	91.34	
4 Panel Windows	3-0 x 3-0	24.26	23.88	24.26	97.50	35.82	35.26	35.82	24.44	44.31	36.85
	4-0 x 3-0	33.21	32.69	33.21	133.50	35.82	35.26	35.82	34.32	44.31	49.73
	5-0 x 3-0	42.17	41.51	42.17	169.50	35.82	35.26	35.82	44.20	44.31	62.60
	3-0 x 4-0	32.38	32.00	32.38	97.50	47.82	47.26	47.82	34.36	32.31	48.30
	4-0 x 4-0	44.34	43.82	44.34	133.50	47.82	47.26	47.82	48.24	32.31	65.18
	5-0 x 4-0	56.29	55.63	56.29	169.50	47.82	47.26	47.82	62.12	32.31	82.05
	3-0 x 5-0	40.51	40.13	40.51	97.50	59.82	59.26	59.82	44.28	20.31	59.75
	4-0 x 5-0	55.46	54.94	55.46	133.50	59.82	59.26	59.82	62.16	20.31	80.62
	5-0 x 5-0	70.42	69.76	70.42	169.50	59.82	59.26	59.82	80.00	20.31	101.50
	3-0 x 6-0	48.63	48.25	48.63	97.50	71.82	71.26	71.82	54.16	8.31	71.20
4-0 x 6-0	66.59	66.07	66.59	133.50	71.82	71.26	71.82	76.04	8.31	96.07	
5-0 x 6-0	84.55	83.88	84.55	169.50	71.82	71.26	71.82	97.92	8.31	120.95	
5 Panel Windows	3-0 x 3-0	32.50	31.99	32.50	130.63	35.82	35.26	35.82	30.55	44.31	45.74
	4-0 x 3-0	44.44	43.74	44.44	178.63	35.82	35.26	35.82	42.90	44.31	61.83
	5-0 x 3-0	56.38	55.50	56.38	226.63	35.82	35.26	35.82	55.25	44.31	77.92
	3-0 x 4-0	43.38	42.87	43.38	130.63	47.82	47.26	47.82	42.95	32.31	59.95
	4-0 x 4-0	59.33	58.63	59.33	178.63	47.82	47.26	47.82	60.30	32.31	81.04
	5-0 x 4-0	75.27	74.38	75.27	226.63	47.82	47.26	47.82	77.65	32.31	102.13
	3-0 x 5-0	54.27	53.76	54.27	130.63	59.82	59.26	59.82	55.35	20.31	74.15
	4-0 x 5-0	74.21	73.51	74.21	178.63	59.82	59.26	59.82	77.70	20.31	100.25
	5-0 x 5-0	94.15	93.27	94.15	226.63	59.82	59.26	59.82	100.00	20.31	126.34
	3-0 x 6-0	65.16	64.65	65.16	130.63	71.82	71.26	71.82	67.70	8.31	88.36
4-0 x 6-0	89.10	88.40	89.10	178.63	71.82	71.26	71.82	95.05	8.31	119.46	
5-0 x 6-0	113.04	112.15	113.04	226.63	71.82	71.26	71.82	122.40	8.31	150.55	

The Weather Shield Contemporary Collection

MULTI-SLIDE WINDOWS (8720)

Opening Specifications

	Unit Code	Sq. Ft. Clear Opening / Vent			Clear Opening				Sq. Ft. DLO 3-1/4" Rail	Floor to Bottom of Clear Opening ^a	Sq. Ft. Overall Unit Area ^b
		Flush Sill	1.5" Riser	T-Track	Width	Height Flush Sill	Height 1.5" Riser	Height T-Track ^c			
1 Panel Pocket Windows	3-0 x 3-0	8.67	8.54	8.67	34.86	35.82	35.26	35.82	6.11	44.31	20.37
	4-0 x 3-0	11.66	11.47	11.66	46.86	35.82	35.26	35.82	8.58	44.31	26.81
	5-0 x 3-0	14.64	14.41	14.64	58.86	35.82	35.26	35.82	11.05	44.31	33.24
	3-0 x 4-0	11.58	11.44	11.58	34.86	47.82	47.26	47.82	8.59	32.31	26.70
	4-0 x 4-0	15.56	15.38	15.56	46.86	47.82	47.26	47.82	12.06	32.31	35.14
	5-0 x 4-0	19.55	19.32	19.55	58.86	47.82	47.26	47.82	15.53	32.31	43.57
	3-0 x 5-0	14.48	14.34	14.48	34.86	59.82	59.26	59.82	11.07	20.31	33.03
	4-0 x 5-0	19.47	19.28	19.47	46.86	59.82	59.26	59.82	15.54	20.31	43.46
	5-0 x 5-0	24.45	24.22	24.45	58.86	59.82	59.26	59.82	20.00	20.31	53.90
	3-0 x 6-0	17.39	17.25	17.39	34.86	71.82	71.26	71.82	13.54	8.31	39.36
4-0 x 6-0	23.37	23.19	23.37	46.86	71.82	71.26	71.82	19.01	8.31	51.79	
5-0 x 6-0	29.36	29.13	29.36	58.86	71.82	71.26	71.82	24.48	8.31	64.23	
2 Panel Pocket Windows	3-0 x 3-0	16.91	16.65	16.91	67.98	35.82	35.26	35.82	12.22	44.31	29.26
	4-0 x 3-0	22.88	22.52	22.88	91.98	35.82	35.26	35.82	17.16	44.31	38.91
	5-0 x 3-0	28.85	28.40	28.85	115.98	35.82	35.26	35.82	22.10	44.31	48.57
	3-0 x 4-0	22.58	22.31	22.58	67.98	47.82	47.26	47.82	17.18	32.31	38.34
	4-0 x 4-0	30.55	30.19	30.55	91.98	47.82	47.26	47.82	24.12	32.31	51.00
	5-0 x 4-0	38.52	38.07	38.52	115.98	47.82	47.26	47.82	31.06	32.31	63.66
	3-0 x 5-0	28.24	27.98	28.24	67.98	59.82	59.26	59.82	22.14	20.31	47.43
	4-0 x 5-0	38.21	37.85	38.21	91.98	59.82	59.26	59.82	31.08	20.31	63.09
	5-0 x 5-0	48.18	47.73	48.18	115.98	59.82	59.26	59.82	40.00	20.31	78.75
	3-0 x 6-0	33.91	33.64	33.91	67.98	71.82	71.26	71.82	27.08	8.31	56.52
4-0 x 6-0	45.88	45.52	45.88	91.98	71.82	71.26	71.82	38.02	8.31	75.18	
5-0 x 6-0	57.85	57.40	57.85	115.98	71.82	71.26	71.82	48.96	8.31	93.83	
3 Panel Pocket Windows	3-0 x 3-0	25.15	24.76	25.15	101.11	35.82	35.26	35.82	18.33	44.31	38.14
	4-0 x 3-0	34.11	33.57	34.11	137.11	35.82	35.26	35.82	25.74	44.31	51.02
	5-0 x 3-0	43.07	42.39	43.07	173.11	35.82	35.26	35.82	33.15	44.31	63.89
	3-0 x 4-0	33.58	33.18	33.58	101.11	47.82	47.26	47.82	25.77	32.31	49.99
	4-0 x 4-0	45.53	45.00	45.53	137.11	47.82	47.26	47.82	36.18	32.31	66.86
	5-0 x 4-0	57.49	56.81	57.49	173.11	47.82	47.26	47.82	46.59	32.31	83.74
	3-0 x 5-0	42.00	41.61	42.00	101.11	59.82	59.26	59.82	33.21	20.31	61.84
	4-0 x 5-0	56.96	56.42	56.96	137.11	59.82	59.26	59.82	46.62	20.31	82.71
	5-0 x 5-0	71.92	71.24	71.92	173.11	59.82	59.26	59.82	60.00	20.31	103.59
	3-0 x 6-0	50.43	50.03	50.43	101.11	71.82	71.26	71.82	40.62	8.31	73.69
4-0 x 6-0	68.39	67.85	68.39	137.11	71.82	71.26	71.82	57.03	8.31	98.56	
5-0 x 6-0	86.34	85.67	86.34	173.11	71.82	71.26	71.82	73.44	8.31	123.44	
4 Panel Pocket Windows	3-0 x 3-0	33.39	32.87	33.39	134.23	35.82	35.26	35.82	24.44	44.31	47.03
	4-0 x 3-0	45.34	44.62	45.34	182.23	35.82	35.26	35.82	34.32	44.31	63.12
	3-0 x 4-0	44.58	44.06	44.58	134.23	47.82	47.26	47.82	34.36	32.31	61.64
	4-0 x 4-0	60.52	59.81	60.52	182.23	47.82	47.26	47.82	48.24	32.31	82.73
	3-0 x 5-0	55.77	55.24	55.77	134.23	59.82	59.26	59.82	44.28	20.31	76.24
	4-0 x 5-0	75.71	75.00	75.71	182.23	59.82	59.26	59.82	62.16	20.31	102.34
	3-0 x 6-0	66.95	66.43	66.95	134.23	71.82	71.26	71.82	54.16	8.31	90.85
	4-0 x 6-0	90.89	90.18	90.89	182.23	71.82	71.26	71.82	76.04	8.31	121.95
5 Panel Pocket Windows	3-0 x 3-0	41.63	40.98	41.63	167.36	35.82	35.26	35.82	30.55	44.31	55.91
	4-0 x 3-0	56.56	55.67	56.56	227.36	35.82	35.26	35.82	42.90	44.31	75.22
	3-0 x 4-0	55.58	54.93	55.58	167.36	47.82	47.26	47.82	42.95	32.31	73.28
	4-0 x 4-0	75.51	74.62	75.51	227.36	47.82	47.26	47.82	60.30	32.31	98.59
	3-0 x 5-0	69.53	68.87	69.53	167.36	59.82	59.26	59.82	55.35	20.31	90.65
	4-0 x 5-0	94.45	93.57	94.45	227.36	59.82	59.26	59.82	77.70	20.31	121.96
	3-0 x 6-0	83.47	82.82	83.47	167.36	71.82	71.26	71.82	67.70	8.31	108.02
	4-0 x 6-0	113.40	112.51	113.40	227.36	71.82	71.26	71.82	95.05	8.31	145.33

Requirements per 2015 IBC (International Building Code) minimum dimensions of 20" clear opening width, 24" clear opening height, 5.7 sq. ft. clear opening and floor to bottom of clear opening not to exceed 44".

^a Floor to bottom of clear opening dimensions are for standard sill and based on 82" jamb height of a 6-10 door. All units over 5-0 height are based off 106" jamb height for floor to clear opening dimension. 3-0 height windows meet or exceed emergency escape and rescue opening requirements if installed lower in the wall so the "Floor to Bottom of Clear Opening Height" does not exceed 44".

^b Sq. Ft. Overall Unit Area is calculated on the jamb dimension for flush sill.

^c T-track sill clear opening height calculated to top of roller track. The requirements outlined above for the major US building codes can be modified by local jurisdictions. Therefore, it is important to check local codes in the areas in which the product is to be installed.

The Weather Shield Contemporary Collection

BI-PARTING MULTI-SLIDE WINDOWS (8720)

Opening Specifications

	Unit Code	Sq. Ft. Clear Opening / Vent			Clear Opening				Sq. Ft. DLO 3-1/4" Rail	Floor to Bottom of Clear Opening ^a	Sq. Ft. Overall Unit Area ^b
		Flush Sill	1.5" Riser	T-Track	Width	Height Flush Sill	Height 1.5" Riser	Height T-Track ^c			
4 Panel Bi-parting Windows	3-0 x 3-0	15.66	15.42	15.66	62.95	35.82	35.26	35.82	24.44	44.31	37.82
	4-0 x 3-0	21.63	21.29	21.63	86.95	35.82	35.26	35.82	34.32	44.31	50.70
	5-0 x 3-0	27.60	27.17	27.60	110.95	35.82	35.26	35.82	44.20	44.31	63.57
	3-0 x 4-0	20.91	20.66	20.91	62.95	47.82	47.26	47.82	34.36	32.31	49.57
	4-0 x 4-0	28.88	28.54	28.88	86.95	47.82	47.26	47.82	48.24	32.31	66.45
	5-0 x 4-0	36.85	36.42	36.85	110.95	47.82	47.26	47.82	62.12	32.31	83.32
	3-0 x 5-0	26.15	25.91	26.15	62.95	59.82	59.26	59.82	44.28	20.31	61.32
	4-0 x 5-0	36.12	35.78	36.12	86.95	59.82	59.26	59.82	62.16	20.31	82.20
	5-0 x 5-0	46.09	45.66	46.09	110.95	59.82	59.26	59.82	80.00	20.31	103.07
	3-0 x 6-0	31.40	31.15	31.40	62.95	71.82	71.26	71.82	54.16	8.31	73.07
4-0 x 6-0	43.37	43.03	43.37	86.95	71.82	71.26	71.82	76.04	8.31	97.95	
5-0 x 6-0	55.34	54.91	55.34	110.95	71.82	71.26	71.82	97.92	8.31	122.82	
6 Panel Bi-parting Windows	3-0 x 3-0	32.14	31.64	32.14	129.20	35.82	35.26	35.82	36.66	44.31	55.59
	4-0 x 3-0	44.08	43.39	44.08	177.20	35.82	35.26	35.82	51.48	44.31	74.90
	5-0 x 3-0	56.03	55.15	56.03	225.20	35.82	35.26	35.82	66.30	44.31	94.22
	3-0 x 4-0	42.91	42.40	42.91	129.20	47.82	47.26	47.82	51.54	32.31	72.86
	4-0 x 4-0	58.85	58.16	58.85	177.20	47.82	47.26	47.82	72.36	32.31	98.17
	5-0 x 4-0	74.79	73.91	74.79	225.20	47.82	47.26	47.82	93.18	32.31	123.49
	3-0 x 5-0	53.68	53.17	53.68	129.20	59.82	59.26	59.82	66.42	20.31	90.13
	4-0 x 5-0	73.62	72.93	73.62	177.20	59.82	59.26	59.82	93.24	20.31	121.45
	5-0 x 5-0	93.56	92.68	93.56	225.20	59.82	59.26	59.82	120.00	20.31	152.76
	3-0 x 6-0	64.44	63.94	64.44	129.20	71.82	71.26	71.82	81.24	8.31	107.40
4-0 x 6-0	88.38	87.69	88.38	177.20	71.82	71.26	71.82	114.06	8.31	144.72	
5-0 x 6-0	112.33	111.45	112.33	225.20	71.82	71.26	71.82	146.88	8.31	182.03	
8 Panel Bi-parting Windows	3-0 x 3-0	48.62	47.86	48.62	195.45	35.82	35.26	35.82	48.88	44.31	73.36
	4-0 x 3-0	66.54	65.49	66.54	267.45	35.82	35.26	35.82	68.64	44.31	99.11
	5-0 x 3-0	84.45	83.12	84.45	339.45	35.82	35.26	35.82	88.40	44.31	124.86
	3-0 x 4-0	64.91	64.15	64.91	195.45	47.82	47.26	47.82	68.72	32.31	96.15
	4-0 x 4-0	88.82	87.78	88.82	267.45	47.82	47.26	47.82	96.48	32.31	129.90
	5-0 x 4-0	112.74	111.41	112.74	339.45	47.82	47.26	47.82	124.24	32.31	163.65
	3-0 x 5-0	81.20	80.44	81.20	195.45	59.82	59.26	59.82	88.56	20.31	118.94
	4-0 x 5-0	111.11	110.07	111.11	267.45	59.82	59.26	59.82	124.32	20.31	160.69
	5-0 x 5-0	141.02	139.70	141.02	339.45	59.82	59.26	59.82	160.00	20.31	202.44
	3-0 x 6-0	97.49	96.72	97.49	195.45	71.82	71.26	71.82	108.32	8.31	141.74
4-0 x 6-0	133.40	132.35	133.40	267.45	71.82	71.26	71.82	152.08	8.31	191.49	
5-0 x 6-0	169.31	167.99	169.31	339.45	71.82	71.26	71.82	195.84	8.31	241.24	
10 Panel Bi-parting Windows	3-0 x 3-0	65.11	64.08	65.11	261.70	35.82	35.26	35.82	61.10	44.31	91.13
	4-0 x 3-0	88.99	87.59	88.99	357.70	35.82	35.26	35.82	85.80	44.31	123.32
	5-0 x 3-0	112.87	111.10	112.87	453.70	35.82	35.26	35.82	110.50	44.31	155.51
	3-0 x 4-0	86.91	85.89	86.91	261.70	47.82	47.26	47.82	85.90	32.31	119.44
	4-0 x 4-0	118.80	117.40	118.80	357.70	47.82	47.26	47.82	120.60	32.31	161.63
	5-0 x 4-0	150.68	148.91	150.68	453.70	47.82	47.26	47.82	155.30	32.31	203.82
	3-0 x 5-0	108.72	107.70	108.72	261.70	59.82	59.26	59.82	110.70	20.31	147.76
	4-0 x 5-0	148.61	147.21	148.61	357.70	59.82	59.26	59.82	155.40	20.31	199.94
	5-0 x 5-0	188.49	186.72	188.49	453.70	59.82	59.26	59.82	200.00	20.31	252.13
	3-0 x 6-0	130.53	129.51	130.53	261.70	71.82	71.26	71.82	135.40	8.31	176.07
4-0 x 6-0	178.41	177.02	178.41	357.70	71.82	71.26	71.82	190.10	8.31	238.26	
5-0 x 6-0	226.30	224.53	226.30	453.70	71.82	71.26	71.82	244.80	8.31	300.44	

The Weather Shield Contemporary Collection

BI-PARTING MULTI-SLIDE WINDOWS (8720)

Opening Specifications

	Unit Code	Sq. Ft. Clear Opening / Vent			Clear Opening				Sq. Ft. DLO 3-1/4" Rail	Floor to Bottom of Clear Opening ^a	Sq. Ft. Overall Unit Area ^b
		Flush Sill	1.5" Riser	T-Track	Width ^d	Height Flush Sill	Height 1.5" Riser	Height T-Track ^c			
2 Panel Bi-parting Pocket Windows	3-0 x 3-0	17.82	17.54	17.82	71.62	35.82	35.26	35.82	12.22	44.31	40.40
	4-0 x 3-0	23.79	23.41	23.79	95.62	35.82	35.26	35.82	17.16	44.31	53.27
	5-0 x 3-0	29.76	29.29	29.76	119.62	35.82	35.26	35.82	22.10	44.31	66.15
	3-0 x 4-0	23.79	23.51	23.79	71.62	47.82	47.26	47.82	17.18	32.31	52.95
	4-0 x 4-0	31.76	31.38	31.76	95.62	47.82	47.26	47.82	24.12	32.31	69.82
	5-0 x 4-0	39.73	39.26	39.73	119.62	47.82	47.26	47.82	31.06	32.31	86.70
	3-0 x 5-0	29.75	29.47	29.75	71.62	59.82	59.26	59.82	22.14	20.31	65.50
	4-0 x 5-0	39.73	39.35	39.73	95.62	59.82	59.26	59.82	31.08	20.31	86.38
	5-0 x 5-0	49.70	49.23	49.70	119.62	59.82	59.26	59.82	40.00	20.31	107.25
	3-0 x 6-0	35.72	35.44	35.72	71.62	71.82	71.26	71.82	27.08	8.31	78.05
4-0 x 6-0	47.69	47.32	47.69	95.62	71.82	71.26	71.82	38.02	8.31	102.93	
5-0 x 6-0	59.66	59.20	59.66	119.62	71.82	71.26	71.82	48.96	8.31	127.80	
4 Panel Bi-parting Pocket Windows	3-0 x 3-0	34.30	33.76	34.30	137.87	35.82	35.26	35.82	24.44	44.31	58.17
	4-0 x 3-0	46.24	45.51	46.24	185.87	35.82	35.26	35.82	34.32	44.31	77.48
	5-0 x 3-0	58.18	57.27	58.18	233.87	35.82	35.26	35.82	44.20	44.31	96.79
	3-0 x 4-0	45.79	45.25	45.79	137.87	47.82	47.26	47.82	34.36	32.31	76.24
	4-0 x 4-0	61.73	61.00	61.73	185.87	47.82	47.26	47.82	48.24	32.31	101.55
	5-0 x 4-0	77.67	76.76	77.67	233.87	47.82	47.26	47.82	62.12	32.31	126.87
	3-0 x 5-0	57.28	56.74	57.28	137.87	59.82	59.26	59.82	44.28	20.31	94.31
	4-0 x 5-0	77.22	76.49	77.22	185.87	59.82	59.26	59.82	62.16	20.31	125.63
	5-0 x 5-0	97.16	96.25	97.16	233.87	59.82	59.26	59.82	80.00	20.31	156.94
	3-0 x 6-0	68.77	68.23	68.77	137.87	71.82	71.26	71.82	54.16	8.31	112.38
4-0 x 6-0	92.71	91.98	92.71	185.87	71.82	71.26	71.82	76.04	8.31	149.70	
5-0 x 6-0	116.65	115.74	116.65	233.87	71.82	71.26	71.82	97.92	8.31	187.01	
6 Panel Bi-parting Pocket Windows	3-0 x 3-0	50.78	49.98	50.78	204.12	35.82	35.26	35.82	36.66	44.31	75.94
	4-0 x 3-0	68.69	67.61	68.69	276.12	35.82	35.26	35.82	51.48	44.31	101.69
	5-0 x 3-0	86.61	85.25	86.61	348.12	35.82	35.26	35.82	66.30	44.31	127.44
	3-0 x 4-0	67.79	66.99	67.79	204.12	47.82	47.26	47.82	51.54	32.31	99.53
	4-0 x 4-0	91.70	90.62	91.70	276.12	47.82	47.26	47.82	72.36	32.31	133.28
	5-0 x 4-0	115.62	114.26	115.62	348.12	47.82	47.26	47.82	93.18	32.31	167.03
	3-0 x 5-0	84.80	84.00	84.80	204.12	59.82	59.26	59.82	66.42	20.31	123.12
	4-0 x 5-0	114.71	113.63	114.71	276.12	59.82	59.26	59.82	93.24	20.31	164.87
	5-0 x 5-0	144.63	143.27	144.63	348.12	59.82	59.26	59.82	120.00	20.31	206.62
	3-0 x 6-0	101.81	101.01	101.81	204.12	71.82	71.26	71.82	81.24	8.31	146.72
4-0 x 6-0	137.72	136.64	137.72	276.12	71.82	71.26	71.82	114.06	8.31	196.47	
5-0 x 6-0	173.64	172.28	173.64	348.12	71.82	71.26	71.82	146.88	8.31	246.22	
8 Panel Bi-parting Pocket Windows	3-0 x 3-0	67.26	66.21	67.26	270.37	35.82	35.26	35.82	48.88	44.31	93.71
	4-0 x 3-0	91.15	89.71	91.15	366.37	35.82	35.26	35.82	68.64	44.31	125.90
	3-0 x 4-0	89.79	88.74	89.79	270.37	47.82	47.26	47.82	68.72	32.31	122.82
	4-0 x 4-0	121.68	120.25	121.68	366.37	47.82	47.26	47.82	96.48	32.31	165.01
	3-0 x 5-0	112.32	111.27	112.32	270.37	59.82	59.26	59.82	88.56	20.31	151.94
	4-0 x 5-0	152.21	150.78	152.21	366.37	59.82	59.26	59.82	124.32	20.31	204.12
	3-0 x 6-0	134.86	133.80	134.86	270.37	71.82	71.26	71.82	108.32	8.31	181.05
	4-0 x 6-0	182.74	181.31	182.74	366.37	71.82	71.26	71.82	152.08	8.31	243.24
10 Panel Bi-parting Pocket Windows	3-0 x 3-0	83.74	82.43	83.74	336.62	35.82	35.26	35.82	61.10	44.31	111.48
	4-0 x 3-0	113.60	111.81	113.60	456.62	35.82	35.26	35.82	85.80	44.31	150.10
	3-0 x 4-0	111.80	110.48	111.80	336.62	47.82	47.26	47.82	85.90	32.31	146.11
	4-0 x 4-0	151.65	149.87	151.65	456.62	47.82	47.26	47.82	120.60	32.31	196.74
	3-0 x 5-0	139.85	138.53	139.85	336.62	59.82	59.26	59.82	110.70	20.31	180.75
	4-0 x 5-0	189.70	187.92	189.70	456.62	59.82	59.26	59.82	155.40	20.31	243.37
	3-0 x 6-0	167.90	166.58	167.90	336.62	71.82	71.26	71.82	135.40	8.31	215.38
	4-0 x 6-0	227.75	225.97	227.75	456.62	71.82	71.26	71.82	190.10	8.31	290.01

Requirements per 2015 IBC (International Building Code) minimum dimensions of 20" clear opening width, 24" clear opening height, 5.7 sq. ft. clear opening and floor to bottom of clear opening not to exceed 44".

^a Floor to bottom of clear opening dimensions are for standard sill and based on 82" jamb height of a 6-10 door. All units over 5-0 height are based off 106" jamb height for floor to clear opening dimension. 3-0 height windows meet or exceed emergency escape and rescue opening requirements if installed lower in the wall so the "Floor to Bottom of Clear Opening Height" does not exceed 44".

^b Sq. Ft. Overall Unit Area is calculated on the jamb dimension for flush sill.

^c T-track sill clear opening height calculated to top of roller track.

^d Clear opening width of bi-parting windows is calculated with all panels open. Multiple operations may be required which may affect egress. The requirements outlined above for the major US building codes can be modified by local jurisdictions. Therefore, it is important to check local codes in the areas in which the product is to be installed.

The Weather Shield Contemporary Collection

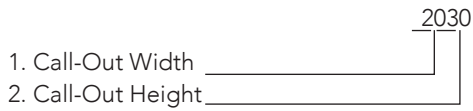
HINGED PATIO DOORS

Hinged Patio Doors Table of Contents

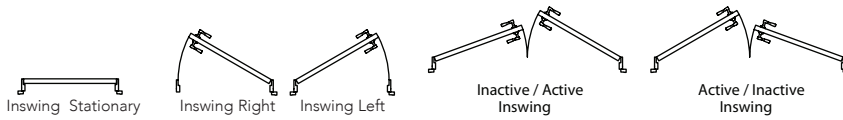
Hinged Patio Door Footnotes.....	97	Hinged Patio Door Cross Sections.....	103
Hinged Patio Door Quick Spec Guide.....	98	Hinged Patio Door Opening Specifications.....	107
Hinged Patio Door Elevations.....	99		

Size Codes:

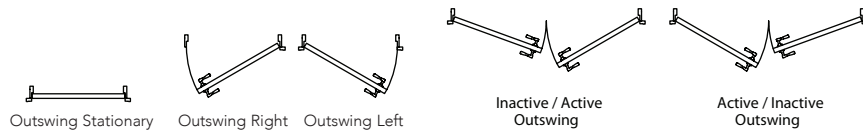
The Weather Shield size code uses meaningful characters to denote standard sizes. For example:



Side Hinged Patio Door Inswing Hinge Codes:



Side Hinged Patio Door Outswing Hinge Codes:



The Weather Shield Contemporary Collection

HINGED PATIO DOORS (8517/8617)

Quick Spec Guide

SPECIFICATION	STANDARD FEATURES	OPTIONAL FEATURES
EXTERIOR FINISH	<ul style="list-style-type: none"> White Cameo Tan Desert Tan Heritage Brown Adobe Craftsman Bronze Brick Red Hartford Green Gray Matters Obsidian Jet Black 	<ul style="list-style-type: none"> 4 Radiant Metallic 45 Designer 8 Anodized Custom Color
EXTERIOR TRIM	<ul style="list-style-type: none"> Integral Nail Fin 	<ul style="list-style-type: none"> 7/8" Brickmold 1-11/16" Brickmold 1-11/16" Flat Casing 3-5/16" Flat Casing Historical Brickmould
INTERIOR FINISH	<ul style="list-style-type: none"> Natural 	<ul style="list-style-type: none"> Stained & Sealed – 5 Standard / 10 Designer Primed Prefinished White & Black Poly – 12 Standard / 45 Designer
INTERIOR SPECIES	<ul style="list-style-type: none"> Pine 	<ul style="list-style-type: none"> Oak Maple Alder (Character) Cherry Mahogany Douglas Fir
SIZE	<ul style="list-style-type: none"> Width Single Panel Doors 2-1, 2-7, 2-9, 3-1, 3-2, 3-7 Two Panel Doors 4-0, 5-0, 5-4, 6-0, 6-2, 7-0 Height Single and Two panel Doors 6-8, 6-10, 7-2, 8-0, 8-2, 9-0, 9-11 	<ul style="list-style-type: none"> Single Panel Doors: Any jamb width: 24" to (42" operating) (73-9/16" stationary) Two Panel Doors: Any jamb width: 47-1/4" to 83-1/4" Single and Two Panel Doors: Any jamb height: 79-17/32" to 119-1/32"
GLAZING	<ul style="list-style-type: none"> Low-E Insulating Glass Tempered Glass 	<ul style="list-style-type: none"> Clear IG Low-E 240 Zo-e-shield 5 Zo-e-shield Extreme Zo-e Shield 6 (laminated) Grey or Bronze Tint Obscure
GRILLES		<ul style="list-style-type: none"> GBG: 5/8" Flat or 11/16" Sculptured SDL: 5/8", 7/8", 1-1/8", 2"
HARDWARE	<ul style="list-style-type: none"> 5 point lock Dallas Lockset Style No Keyed lock 36" lockset location Adjustable hinge Handle activated flushbolts 	<ul style="list-style-type: none"> Keyed random locks Keyed alike locks Butt hinges Ashley Norton Brass Ashley Norton Bronze Baldwin
HARDWARE COLOR	<ul style="list-style-type: none"> Rustic Bronze Matte Black 	<ul style="list-style-type: none"> Satin Nickel Chrome Ashley Norton Brass (8 finishes) Ashley Norton Bronze (4 finishes) Baldwin (8 finishes)
JAMB	<ul style="list-style-type: none"> 4-9/16" 	<ul style="list-style-type: none"> 4-9/16 Min 7-1/8" (inswing), 12" (outswing) Max
HINGING	<ul style="list-style-type: none"> Inswing (8517) 	<ul style="list-style-type: none"> Outswing (8617)
PANEL THICKNESS	<ul style="list-style-type: none"> 2-1/4" 	
RAILS	<ul style="list-style-type: none"> 3-1/4" (top) 3-1/4" (bottom) 	<ul style="list-style-type: none"> 5-1/8" (bottom)
SILLS	<ul style="list-style-type: none"> Standard 	<ul style="list-style-type: none"> ADA

HINGED PATIO DOORS

The Weather Shield Contemporary Collection

INSWING HINGED PATIO DOORS (8517)

Elevations

Clad Unit Dimension	2'-0"	2'-6"	2'-8"	3'-0"	3'-1 1/4"	3'-6"
Rough Opening	2'-0 3/4"	2'-6 3/4"	2'-8 3/4"	3'-0 3/4"	3'-2"	3'-6 3/4"
Soft Metric R.O. (mm)	629	781	832	934	965	1086
Glass Size	16 15/16"	22 15/16"	24 15/16"	28 15/16"	30 3/16"	34 15/16"

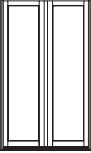
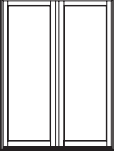
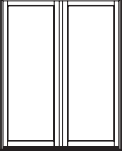
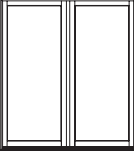
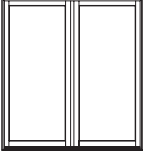
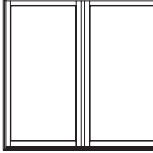
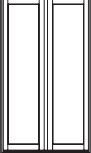
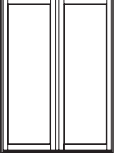
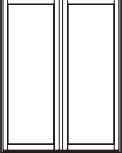
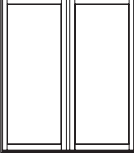
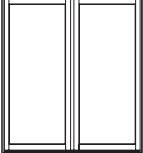
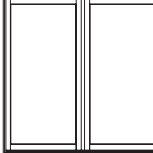
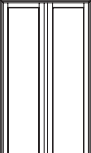
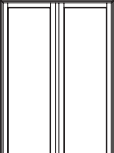
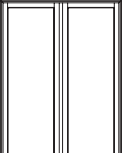
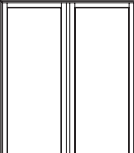
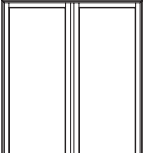
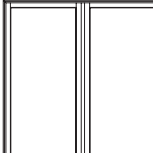
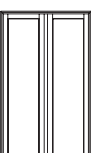
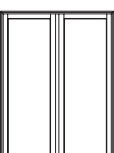
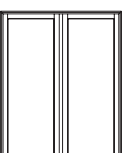
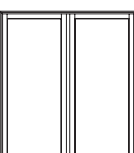
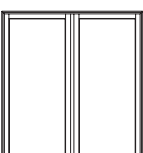
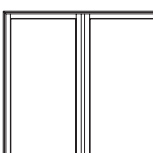
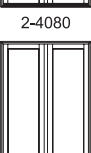
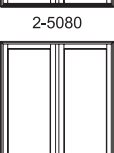
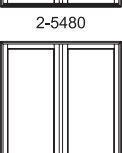
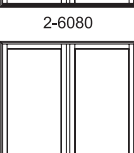

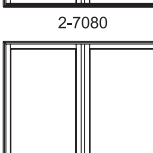




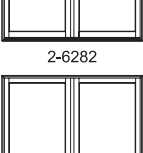


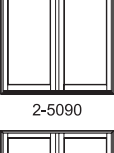
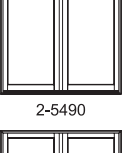
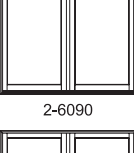
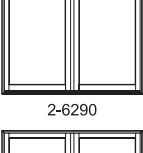
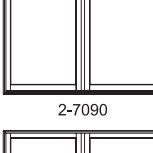
6'-7 1/2"						
6'-8"	1-2168	1-2768	1-2968	1-3168	1-3268	1-3768
6'-10"						
6'-10 1/2"	1-21610	1-27610	1-29610	1-31610	1-32610	1-37610
7'-2"						
7'-2 1/2"	1-2172	1-2772	1-2972	1-3172	1-3272	1-3772
8'-0"						
8'-0 1/2"	1-2180	1-2780	1-2980	1-3180	1-3280	1-3780
8'-2"						
8'-2 1/2"	1-2182	1-2782	1-2982	1-3182	1-3282	1-3782
9'-0"						
9'-0 1/2"	1-2190	1-2790	1-2990	1-3190	1-3290	1-3790
9'-1 1/2"						
110 7/8"	1-21911	1-27911	1-29911	1-31911	1-32911	1-37911

The Weather Shield Contemporary Collection

DOUBLE INSWING HINGED PATIO DOORS (8517)

Elevations

Clad Unit Dimension	3'-11 1/4"	4'-11 1/4"	5'-3 1/4"	5'-11 1/4"	6'-1 11/16"	6'-11 1/4"
Rough Opening	4'-0"	5'-0"	5'-4"	6'-0"	6'-2 7/16"	7'-0"
Soft Metric R.O. (mm)	1219	1524	1626	1829	1891	2134
Glass Size	16 15/16"	22 15/16"	24 15/16"	28 15/16"	30 3/16"	34 15/16"

6'-7 1/2"						
6'-8"	2-4068	2-5068	2-5468	2-6068	2-6268	2-7068
6'-10"						
6'-10 1/2"	2-40610	2-50610	2-54610	2-60610	2-62610	2-70610
7'-2"						
7'-2 1/2"	2-4072	2-5072	2-5472	2-6072	2-6272	2-7072
8'-0"						
8'-0 1/2"	2-4080	2-5080	2-5480	2-6080	2-6280	2-7080
8'-2"						
8'-2 1/2"	2-4082	2-5082	2-5482	2-6082	2-6282	2-7082
9'-0"						
9'-0 1/2"	2-4090	2-5090	2-5490	2-6090	2-6290	2-7090
9'-11 1/2"						
9'-11"	2-40911	2-50911	2-54911	2-60911	2-62911	2-70911

HINGED PATIO DOORS

The Weather Shield Contemporary Collection

OUTSWING HINGED PATIO DOORS (8617)

Elevations

HINGED PATIO DOORS

Clad Unit Dimension	2'-0"	2'-6"	2'-8"	3'-0"	3'-1 1/4"	3'-6"
Rough Opening	2'-0 3/4"	2'-6 3/4"	2'-8 3/4"	3'-0 3/4"	3'-2"	3'-6 3/4"
Soft Metric R.O. (mm)	629	781	832	934	965	1086
Glass Size	16 15/16"	22 15/16"	24 15/16"	28 15/16"	30 3/16"	34 15/16"

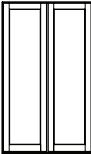

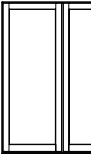
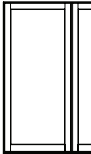
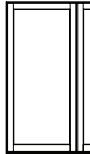
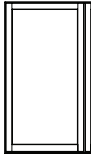
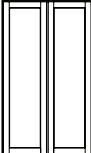

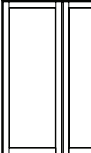
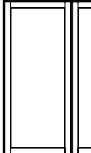
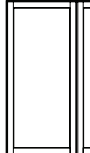
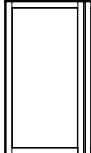
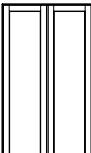

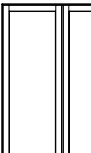
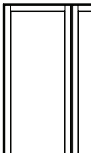
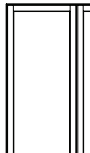
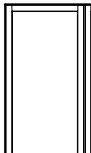
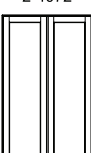

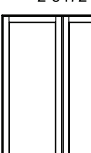
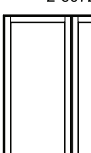
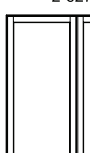
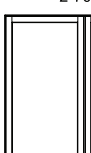
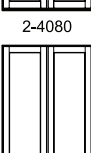
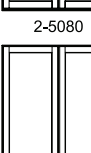
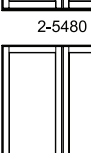
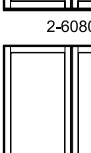
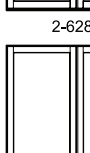
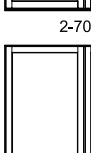
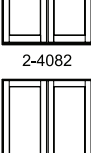



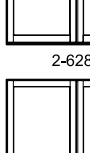
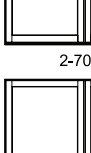
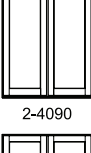
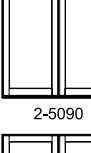
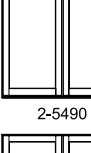
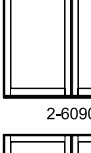
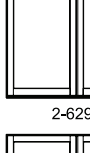
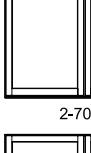
6'-7 1/2"						
6'-8"	1-2168	1-2768	1-2968	1-3168	1-3268	1-3768
6'-10"						
6'-10 1/2"	1-21610	1-27610	1-29610	1-31610	1-32610	1-37610
7'-2"						
7'-2 1/2"	1-2172	1-2772	1-2972	1-3172	1-3272	1-3772
8'-0"						
8'-0 1/2"	1-2180	1-2780	1-2980	1-3180	1-3280	1-3780
8'-2"						
8'-2 1/2"	1-2182	1-2782	1-2982	1-3182	1-3282	1-3782
9'-0"						
9'-0 1/2"	1-2190	1-2790	1-2990	1-3190	1-3290	1-3790
9'-11 1/2"						
111 3/8"	1-21911	1-27911	1-29911	1-31911	1-32911	1-37911

The Weather Shield Contemporary Collection

DOUBLE OUTSWING HINGED PATIO DOORS (8617)

Elevations

Clad Unit Dimension	3'-11 1/4"	4'-11 1/4"	5'-3 1/4"	5'-11 1/4"	6'-1 11/16"	6'-11 1/4"
Rough Opening	4'-0"	5'-0"	5'-4"	6'-0"	6'-2 7/16"	7'-0"
Soft Metric R.O. (mm)	1219	1524	1626	1829	1891	2134
Glass Size	16 15/16"	22 15/16"	24 15/16"	28 15/16"	30 3/16"	34 15/16"

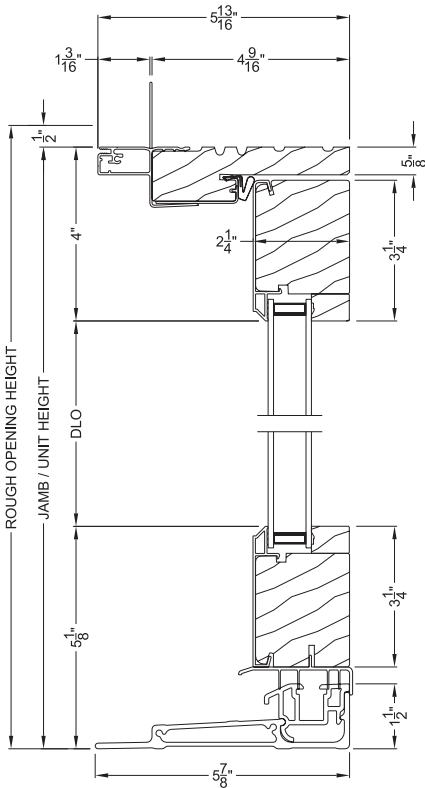
6'-7 1/2"						
6'-8"	2-4068	2-5068	2-5468	2-6068	2-6268	2-7068
6'-10"						
6'-10 1/2"	2-40610	2-50610	2-54610	2-60610	2-62610	2-70610
7'-2"						
7'-2 1/2"	2-4072	2-5072	2-5472	2-6072	2-6272	2-7072
8'-0"						
8'-0 1/2"	2-4080	2-5080	2-5480	2-6080	2-6280	2-7080
8'-2"						
8'-2 1/2"	2-4082	2-5082	2-5482	2-6082	2-6282	2-7082
9'-0"						
9'-0 1/2"	2-4090	2-5090	2-5490	2-6090	2-6290	2-7090
9'-11 1/2"						
111 3/8"	2-40911	2-50911	2-54911	2-60911	2-62911	2-70911

HINGED PATIO DOORS

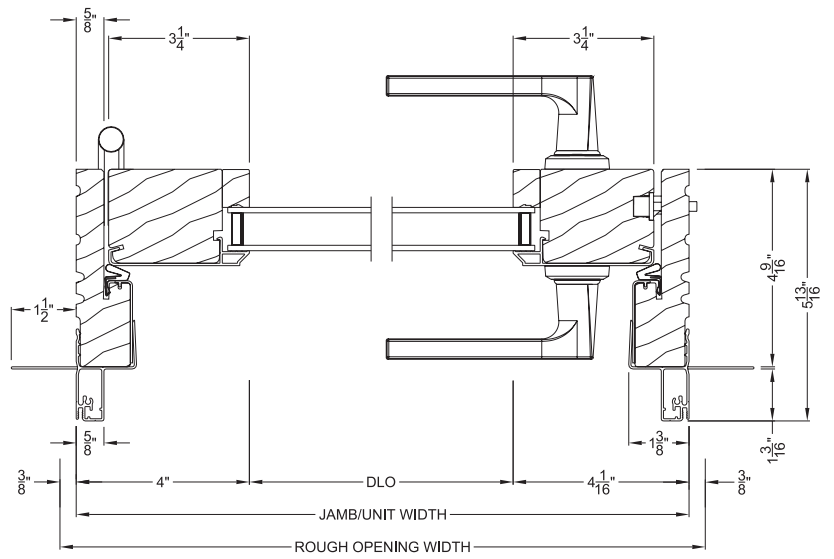
The Weather Shield Contemporary Collection

INSWING HINGED PATIO DOORS (8517)

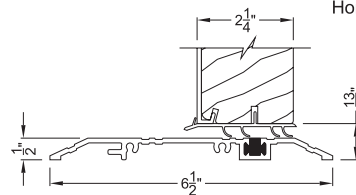
Cross Sections



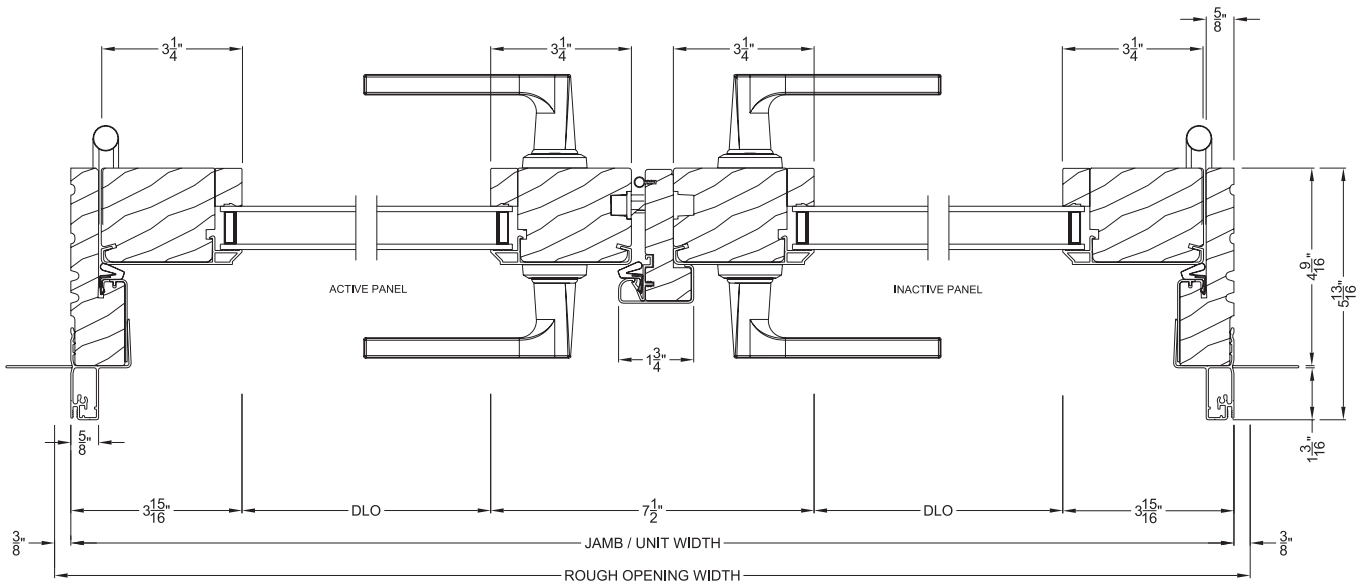
CONTEMPORARY INSWING DOOR (8517)
Vertical Section



CONTEMPORARY INSWING DOOR (8517)
Horizontal Section - Single Door



CONTEMPORARY INSWING DOOR (8517)
Vertical Section - ADA Sill

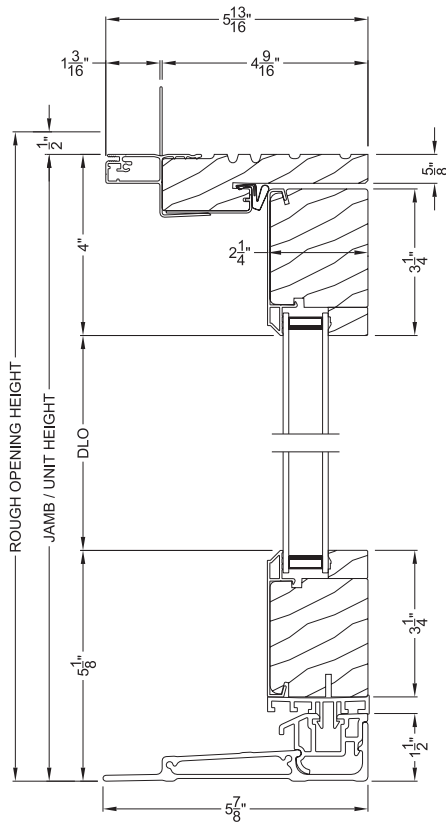


CONTEMPORARY INSWING DOOR (8517)
Horizontal Section - Double Door

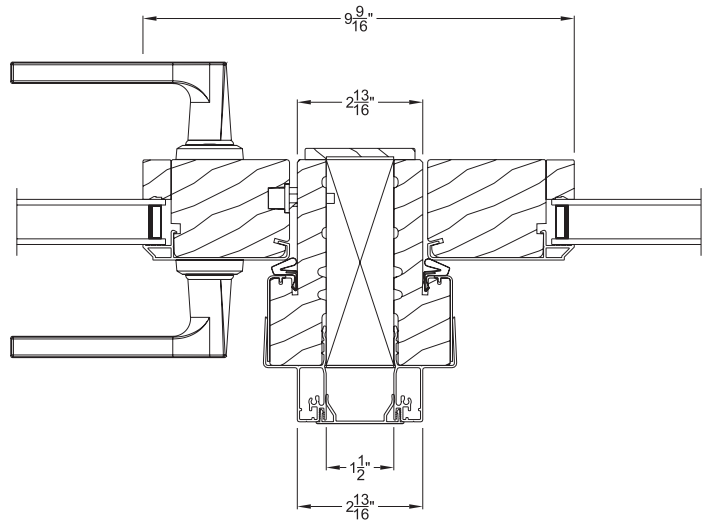
The Weather Shield Contemporary Collection

INSWING HINGED PATIO DOORS (8517)

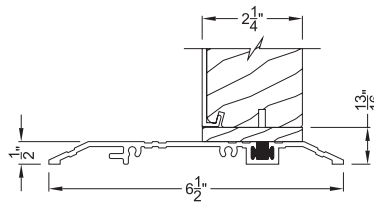
Cross Sections



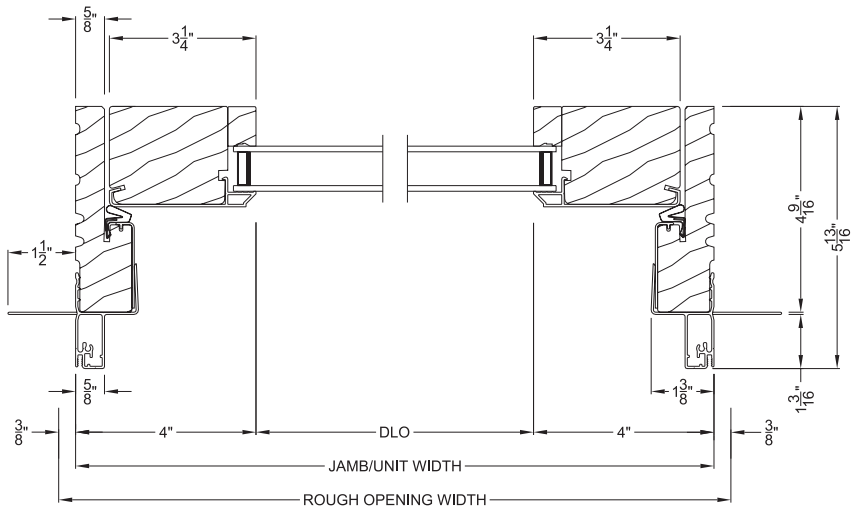
CONTEMPORARY INSWING DOOR (8517)
Vertical Section - Stationary



CONTEMPORARY INSWING DOOR (8517)
Vertical Mull Section - Oper / Stat



CONTEMPORARY INSWING DOOR (8517)
Vertical Section - ADA Sill



CONTEMPORARY INSWING DOOR (8517)
Horizontal Section - Stationary

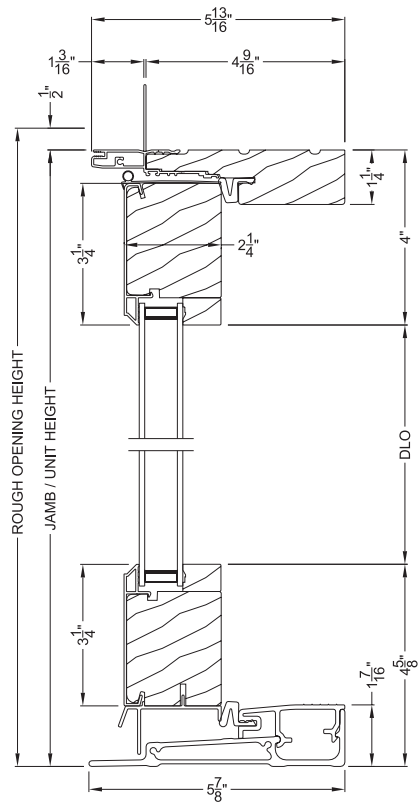
Note: All dimensions are approximate. Weather Shield reserves the right to change specifications without notice.

HINGED PATIO DOORS

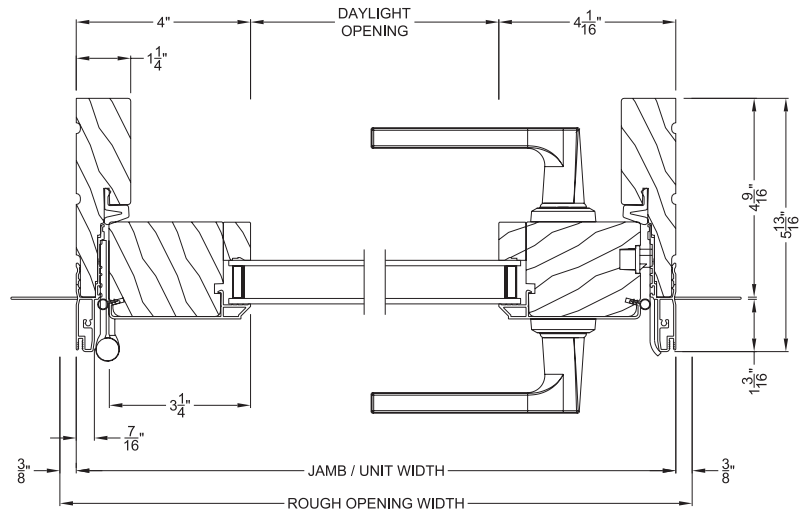
The Weather Shield Contemporary Collection

OUTSWING HINGED PATIO DOORS (8617)

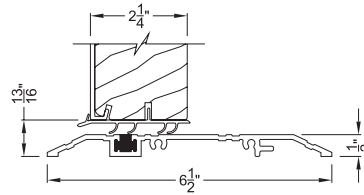
Cross Sections



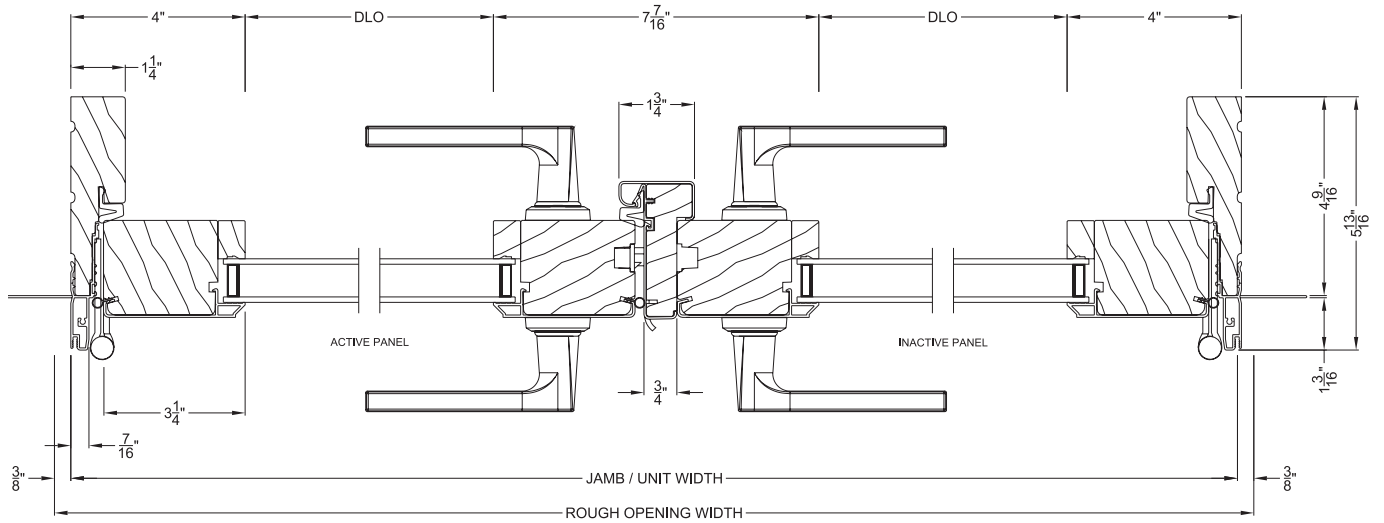
CONTEMPORARY OUTSWING DOOR (8617)
Vertical Section



CONTEMPORARY OUTSWING DOOR (8617)
Horizontal Section - Single Door



CONTEMPORARY OUTSWING DOOR (8617)
Vertical Section - ADA Sill



CONTEMPORARY OUTSWING DOOR (8617)
Horizontal Section - Double Door

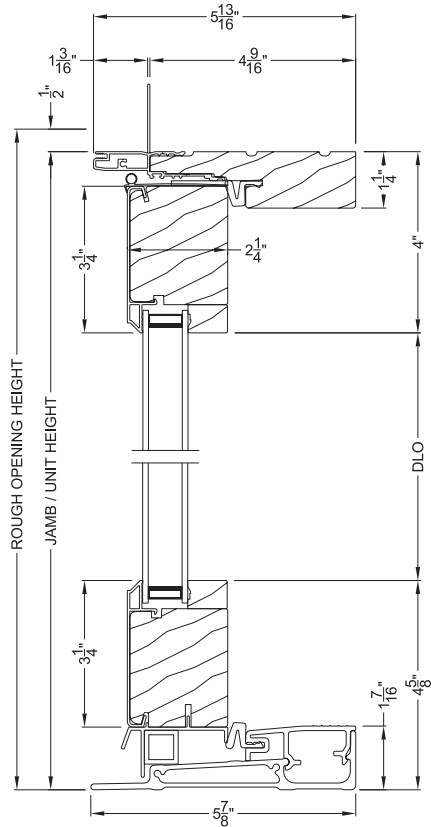
Note: All dimensions are approximate. Weather Shield reserves the right to change specifications without notice.

The Weather Shield Contemporary Collection

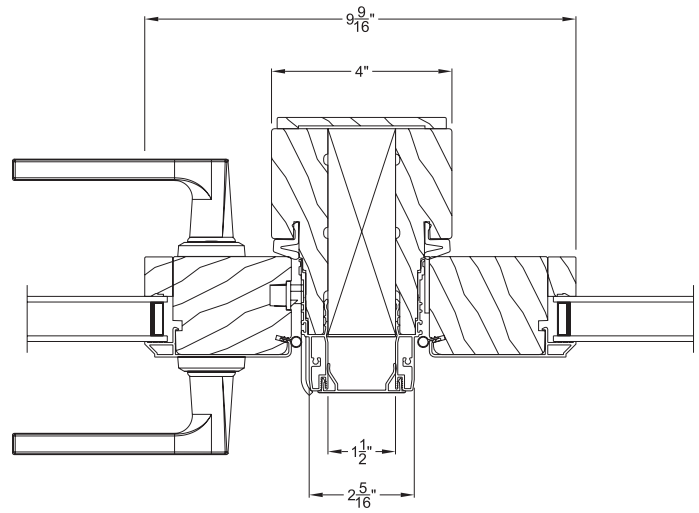
OUTSWING HINGED PATIO DOORS (8617)

Cross Sections

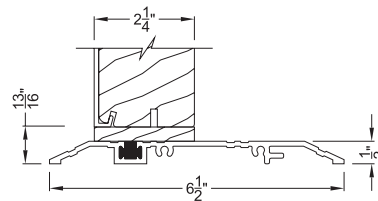
HINGED PATIO DOORS



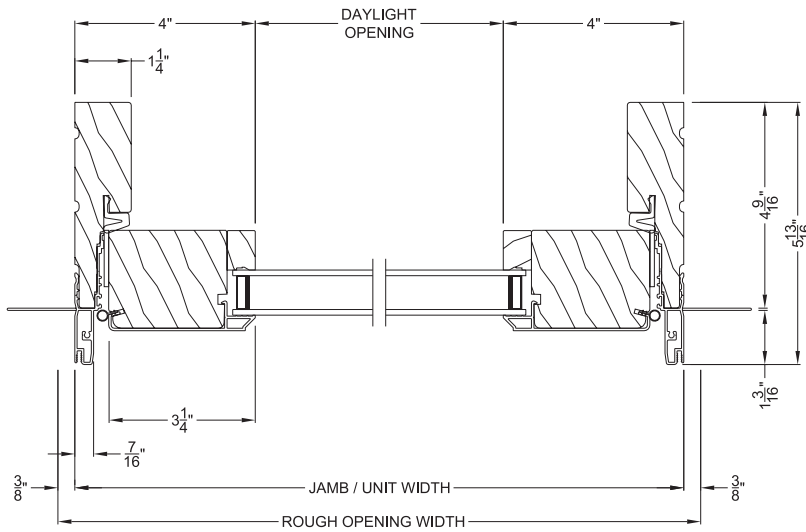
CONTEMPORARY OUTSWING DOOR (8617)
Vertical Section - Stationary



CONTEMPORARY OUTSWING DOOR (8617)
Vertical Mull Section - Oper / Stat



CONTEMPORARY OUTSWING DOOR (8617)
Vertical Section - ADA Sill



CONTEMPORARY OUTSWING DOOR (8617)
Horizontal Section - Stationary

Note: All dimensions are approximate. Weather Shield reserves the right to change specifications without notice.

The Weather Shield Contemporary Collection

INSWING HINGED PATIO DOORS (8517)

Opening Specifications

Call Size	Sq. Ft. Clear Opening		Clear Opening ^a			Sq. Ft. Daylight Opening		Sq. Ft. Vent		Sq. Ft. Overall Unit Area ^b
	1 Oper. Panel	2 Oper. Panels	Width		Height	3-1/4" Bottom Rail	5-1/8" Bottom Rail	1 Oper. Panel	2 Oper. Panels	
			1 Oper. Panel	2 Oper. Panels						
2-1 x 6-8	8.48	---	15.94	---	76.64	7.79	7.58	8.48	---	13.26
2-7 x 6-8	11.68	---	21.94	---	76.64	10.72	10.44	11.68	---	16.57
2-9 x 6-8	12.74	---	23.94	---	76.64	11.70	11.39	12.74	---	17.67
3-1 x 6-8	14.87	---	27.94	---	76.64	13.65	13.29	14.87	---	19.88
3-2 x 6-8	15.52	---	29.16	---	76.64	14.25	13.87	15.52	---	20.56
3-7 x 6-8	18.06	---	33.94	---	76.64	16.59	16.14	18.06	---	23.20
4-0 x 6-8	10.19	20.45	19.15	38.43	76.64	38.30	18.64	10.19	20.45	26.10
5-0 x 6-8	13.39	26.84	25.15	50.43	76.64	50.04	24.35	13.39	26.84	32.72
5-4 x 6-8	14.45	28.97	27.15	54.43	76.64	53.94	26.25	14.45	28.97	34.93
6-0 x 6-8	16.58	33.22	31.15	62.43	76.64	61.76	30.06	16.58	33.22	39.35
6-2 x 6-8	17.23	34.52	32.37	64.87	76.64	64.14	31.22	17.23	34.52	40.70
7-0 x 6-8	19.77	39.61	37.15	74.43	76.64	73.50	35.77	19.77	39.61	45.98
2-1 x 6-10	10.81	---	19.66	---	79.14	8.07	7.86	10.81	---	13.67
2-7 x 6-10	14.10	---	25.66	---	79.14	11.10	10.82	14.10	---	17.09
2-9 x 6-10	15.20	---	27.66	---	79.14	12.11	11.80	15.20	---	18.23
3-1 x 6-10	17.40	---	31.66	---	79.14	14.14	13.77	17.40	---	20.51
3-2 x 6-10	18.07	---	32.88	---	79.14	14.76	14.38	18.07	---	21.20
3-7 x 6-10	20.70	---	37.66	---	79.14	17.17	16.73	20.70	---	23.93
4-0 x 6-10	10.53	21.12	19.15	38.43	79.14	39.66	19.32	10.53	21.12	26.92
5-0 x 6-10	13.82	27.71	25.15	50.43	79.14	51.80	25.24	13.82	27.71	33.75
5-4 x 6-10	14.92	29.91	27.15	54.43	79.14	55.86	27.21	14.92	29.91	36.03
6-0 x 6-10	17.12	34.31	31.15	62.43	79.14	63.96	31.15	17.12	34.31	40.59
6-2 x 6-10	17.79	35.65	32.37	64.87	79.14	66.42	32.36	17.79	35.65	41.98
7-0 x 6-10	20.42	40.90	37.15	74.43	79.14	76.10	37.07	20.42	40.90	47.42
2-1 x 7-2	11.35	---	19.66	---	83.14	8.51	8.30	11.35	---	14.34
2-7 x 7-2	14.82	---	25.66	---	83.14	11.71	11.43	14.82	---	17.92
2-9 x 7-2	15.97	---	27.66	---	83.14	12.78	12.47	15.97	---	19.12
3-1 x 7-2	18.28	---	31.66	---	83.14	14.91	14.55	18.28	---	21.51
3-2 x 7-2	18.99	---	32.88	---	83.14	15.57	15.19	18.99	---	22.24
3-7 x 7-2	21.75	---	37.66	---	83.14	18.12	17.68	21.75	---	25.09
4-0 x 7-2	11.06	22.19	19.15	38.43	83.14	41.84	20.41	11.06	22.19	28.23
5-0 x 7-2	14.52	29.11	25.15	50.43	83.14	54.66	26.66	14.52	29.11	35.40
5-4 x 7-2	15.68	31.42	27.15	54.43	83.14	58.92	28.74	15.68	31.42	37.79
6-0 x 7-2	17.99	36.04	31.15	62.43	83.14	67.46	32.91	17.99	36.04	42.57
6-2 x 7-2	18.69	37.45	32.37	64.87	83.14	70.06	34.18	18.69	37.45	44.02
7-0 x 7-2	21.45	42.97	37.15	74.43	83.14	80.28	39.16	21.45	42.97	49.74
2-1 x 8-0	12.72	---	19.66	---	93.14	9.62	9.41	12.72	---	16.01
2-7 x 8-0	16.60	---	25.66	---	93.14	13.23	12.95	16.60	---	20.01
2-9 x 8-0	17.89	---	27.66	---	93.14	14.44	14.13	17.89	---	21.34
3-1 x 8-0	20.48	---	31.66	---	93.14	16.85	16.49	20.48	---	24.01
3-2 x 8-0	21.27	---	32.88	---	93.14	17.59	17.21	21.27	---	24.82
3-7 x 8-0	24.36	---	37.66	---	93.14	20.47	20.03	24.36	---	28.01
4-0 x 8-0	12.39	24.85	19.15	38.43	93.14	47.28	23.13	12.39	24.85	31.51
5-0 x 8-0	16.27	32.62	25.15	50.43	93.14	61.76	30.21	16.27	32.62	39.51
5-4 x 8-0	17.56	35.20	27.15	54.43	93.14	66.58	32.58	17.56	35.20	42.18
6-0 x 8-0	20.15	40.38	31.15	62.43	93.14	76.24	37.30	20.15	40.38	47.52
6-2 x 8-0	20.94	41.95	32.37	64.87	93.14	79.18	38.74	20.94	41.95	49.14
7-0 x 8-0	24.03	48.14	37.15	74.43	93.14	90.72	44.38	24.03	48.14	55.52
2-1 x 8-2	12.99	---	19.66	---	95.14	9.84	9.63	12.99	---	16.34
2-7 x 8-2	16.96	---	25.66	---	95.14	13.54	13.25	16.96	---	20.42
2-9 x 8-2	18.28	---	27.66	---	95.14	14.77	14.46	18.28	---	21.78
3-1 x 8-2	20.92	---	31.66	---	95.14	17.24	16.88	20.92	---	24.51
3-2 x 8-2	21.73	---	32.88	---	95.14	18.00	17.62	21.73	---	25.34
3-7 x 8-2	24.88	---	37.66	---	95.14	20.95	20.50	24.88	---	28.59
4-0 x 8-2	12.65	25.39	19.15	38.43	95.14	48.38	23.68	12.65	25.39	32.17
5-0 x 8-2	16.62	33.32	25.15	50.43	95.14	63.18	30.93	16.62	33.32	40.34
5-4 x 8-2	17.94	35.96	27.15	54.43	95.14	68.12	33.34	17.94	35.96	43.06
6-0 x 8-2	20.58	41.24	31.15	62.43	95.14	78.00	38.18	20.58	41.24	48.51
6-2 x 8-2	21.39	42.86	32.37	64.87	95.14	81.00	39.65	21.39	42.86	50.16
7-0 x 8-2	24.55	49.17	37.15	74.43	95.14	92.80	45.43	24.55	49.17	56.67

The Weather Shield Contemporary Collection

INSWING HINGED PATIO DOORS (8517)

Opening Specifications

Call Size	Sq. Ft. Clear Opening		Clear Opening ^a			Sq. Ft. Daylight Opening		Sq. Ft. Vent		Sq. Ft. Overall Unit Area ^b
	1 Oper. Panel	2 Oper. Panels	Width		Height	3-1/4" Bottom Rail	5-1/8" Bottom Rail	1 Oper. Panel	2 Oper. Panels	
			1 Oper. Panel	2 Oper. Panels						
2-1 x 9-0	14.36	---	19.66	---	105.14	10.94	10.74	14.36	---	18.01
2-7 x 9-0	18.74	---	25.66	---	105.14	15.06	14.78	18.74	---	22.51
2-9 x 9-0	20.20	---	27.66	---	105.14	16.44	16.12	20.20	---	24.01
3-1 x 9-0	23.12	---	31.66	---	105.14	19.18	18.82	23.12	---	27.01
3-2 x 9-0	24.01	---	32.88	---	105.14	20.02	19.64	24.01	---	27.92
3-7 x 9-0	27.50	---	37.66	---	105.14	23.30	22.86	27.50	---	31.51
4-0 x 9-0	13.98	28.06	19.15	38.43	105.14	53.82	26.40	13.98	28.06	35.45
5-0 x 9-0	18.36	36.82	25.15	50.43	105.14	70.30	34.48	18.36	36.82	44.45
5-4 x 9-0	19.82	39.74	27.15	54.43	105.14	75.78	37.17	19.82	39.74	47.45
6-0 x 9-0	22.75	45.58	31.15	62.43	105.14	86.78	42.56	22.75	45.58	53.45
6-2 x 9-0	23.64	47.36	32.37	64.87	105.14	90.12	44.21	23.64	47.36	55.28
7-0 x 9-0	27.13	54.34	37.15	74.43	105.14	103.26	50.65	27.13	54.34	62.46
2-1 x 9-11	15.86	---	19.66	---	116.14	12.16	11.95	15.86	---	19.84
2-7 x 9-11	20.70	---	25.66	---	116.14	16.74	16.45	20.70	---	24.80
2-9 x 9-11	22.31	---	27.66	---	116.14	18.26	17.95	22.31	---	26.45
3-1 x 9-11	25.54	---	31.66	---	116.14	21.32	20.95	25.54	---	29.76
3-2 x 9-11	26.52	---	32.88	---	116.14	22.25	21.87	26.52	---	30.77
3-7 x 9-11	30.38	---	37.66	---	116.14	25.90	25.45	30.38	---	34.72
4-0 x 9-11	15.45	30.99	19.15	38.43	116.14	59.80	29.39	15.45	30.99	39.06
5-0 x 9-11	20.29	40.67	25.15	50.43	116.14	78.12	38.39	20.29	40.67	48.98
5-4 x 9-11	21.90	43.90	27.15	54.43	116.14	84.22	41.39	21.90	43.90	52.28
6-0 x 9-11	25.13	50.35	31.15	62.43	116.14	96.42	47.39	25.13	50.35	58.90
6-2 x 9-11	26.11	52.31	32.37	64.87	116.14	100.14	49.22	26.11	52.31	60.91
7-0 x 9-11	29.96	60.03	37.15	74.43	116.14	114.74	56.39	29.96	60.03	68.81

^a All calculations assume operating panel is open 90 degrees.

^b Sq. Ft. Overall Unit Area is calculated on the jamb dimension.

HINGED PATIO DOORS

The Weather Shield Contemporary Collection

OUTSWING HINGED PATIO DOORS (8617)

Opening Specifications

HINGED PATIO DOORS

Call Size	Sq. Ft. Clear Opening		Clear Opening ^a			Sq. Ft. Daylight Opening		Sq. Ft. Vent		Sq. Ft. Overall Unit Area ^b
	1 Oper. Panel	2 Oper. Panels	Width		Height	3-1/4" Bottom Rail	5-1/8" Bottom Rail	1 Oper. Panel	2 Oper. Panels	
			1 Oper. Panel	2 Oper. Panels						
2-1 x 6-8	10.19	---	19.09	---	76.86	7.84	7.64	10.19	---	13.26
2-7 x 6-8	13.39	---	25.09	---	76.86	10.80	10.51	13.39	---	16.57
2-9 x 6-8	14.46	---	27.09	---	76.86	11.78	11.47	14.46	---	17.67
3-1 x 6-8	16.59	---	31.09	---	76.86	13.75	13.39	16.59	---	19.88
3-2 x 6-8	17.24	---	32.31	---	76.86	14.35	13.97	17.24	---	20.56
3-7 x 6-8	19.79	---	37.09	---	76.86	16.70	16.26	19.79	---	23.20
4-0 x 6-8	10.25	20.84	19.21	39.05	76.86	38.58	37.56	10.25	20.84	26.10
5-0 x 6-8	13.45	27.25	25.21	51.05	76.86	50.38	49.06	13.45	27.25	32.72
5-4 x 6-8	14.52	29.38	27.21	55.05	76.86	54.32	52.88	14.52	29.38	34.93
6-0 x 6-8	16.66	33.65	31.21	63.05	76.86	62.20	60.56	16.66	33.65	39.35
6-2 x 6-8	17.31	34.95	32.43	65.48	76.86	64.60	62.90	17.31	34.95	40.70
7-0 x 6-8	19.86	40.06	37.21	75.05	76.86	74.02	72.06	19.86	40.06	45.98
2-1 x 6-10	10.52	---	19.09	---	79.36	8.12	7.91	10.52	---	13.67
2-7 x 6-10	13.82	---	25.09	---	79.36	11.18	10.89	13.82	---	17.09
2-9 x 6-10	14.93	---	27.09	---	79.36	12.20	11.89	14.93	---	18.23
3-1 x 6-10	17.13	---	31.09	---	79.36	14.24	13.87	17.13	---	20.51
3-2 x 6-10	17.80	---	32.31	---	79.36	14.86	14.48	17.80	---	21.20
3-7 x 6-10	20.44	---	37.09	---	79.36	17.29	16.85	20.44	---	23.93
4-0 x 6-10	10.59	21.52	19.21	39.05	79.36	39.94	38.92	10.59	21.52	26.92
5-0 x 6-10	13.89	28.13	25.21	51.05	79.36	52.16	50.84	13.89	28.13	33.75
5-4 x 6-10	14.99	30.34	27.21	55.05	79.36	56.24	54.80	14.99	30.34	36.03
6-0 x 6-10	17.20	34.75	31.21	63.05	79.36	64.40	62.74	17.20	34.75	40.59
6-2 x 6-10	17.87	36.09	32.43	65.48	79.36	66.88	65.16	17.87	36.09	41.98
7-0 x 6-0	20.50	41.36	37.21	75.05	79.36	76.62	74.66	20.50	41.36	47.42
2-1 x 7-2	11.05	---	19.09	---	83.36	8.56	8.36	11.05	---	14.34
2-7 x 7-2	14.52	---	25.09	---	83.36	11.79	11.50	14.52	---	17.92
2-9 x 7-2	15.68	---	27.09	---	83.36	12.86	12.55	15.68	---	19.12
3-1 x 7-2	17.99	---	31.09	---	83.36	15.01	14.65	17.99	---	21.51
3-2 x 7-2	18.70	---	32.31	---	83.36	15.67	15.29	18.70	---	22.24
3-7 x 7-2	21.47	---	37.09	---	83.36	18.24	17.79	21.47	---	25.09
4-0 x 7-2	11.12	22.60	19.21	39.05	83.36	42.12	41.10	11.12	22.60	28.23
5-0 x 7-2	14.59	29.55	25.21	51.05	83.36	55.00	53.68	14.59	29.55	35.40
5-4 x 7-2	15.75	31.87	27.21	55.05	83.36	59.30	57.88	15.75	31.87	37.79
6-0 x 7-2	18.07	36.50	31.21	63.05	83.36	67.90	66.26	18.07	36.50	42.57
6-2 x 7-2	18.77	37.91	32.43	65.48	83.36	70.52	68.82	18.77	37.91	44.02
7-0 x 7-2	21.54	43.44	37.21	75.05	83.36	80.80	78.84	21.54	43.44	49.74
2-1 x 8-0	12.37	---	19.09	---	93.36	9.67	9.46	12.37	---	16.01
2-7 x 8-0	16.26	---	25.09	---	93.36	13.31	13.03	16.26	---	20.01
2-9 x 8-0	17.56	---	27.09	---	93.36	14.52	14.21	17.56	---	21.34
3-1 x 8-0	20.15	---	31.09	---	93.36	16.95	16.59	20.15	---	24.01
3-2 x 8-0	20.94	---	32.31	---	93.36	17.69	17.31	20.94	---	24.82
3-7 x 8-0	24.04	---	37.09	---	93.36	20.59	20.15	24.04	---	28.01
4-0 x 8-0	12.45	25.31	19.21	39.05	93.36	47.56	46.54	12.45	25.31	31.51
5-0 x 8-0	16.34	33.09	25.21	51.05	93.36	62.12	60.78	16.34	33.09	39.51
5-4 x 8-0	17.64	35.69	27.21	55.05	93.36	66.98	65.54	17.64	35.69	42.18
6-0 x 8-0	20.23	40.87	31.21	63.05	93.36	76.68	75.04	20.23	40.87	47.52
6-2 x 8-0	21.02	42.45	32.43	65.48	93.36	79.64	77.92	21.02	42.45	49.14
7-0 x 8-0	24.12	48.65	37.21	75.05	93.36	91.24	89.28	24.12	48.65	55.52
2-1 x 8-2	12.64	---	19.09	---	95.36	9.89	9.68	12.64	---	16.34
2-7 x 8-2	16.61	---	25.09	---	95.36	13.62	13.33	16.61	---	20.42
2-9 x 8-2	17.94	---	27.09	---	95.36	14.86	14.55	17.94	---	21.78
3-1 x 8-2	20.59	---	31.09	---	95.36	17.34	16.98	20.59	---	24.51
3-2 x 8-2	21.39	---	32.31	---	95.36	18.10	17.72	21.39	---	25.34
3-7 x 8-2	24.56	---	37.09	---	95.36	21.06	20.62	24.56	---	28.59
4-0 x 8-2	12.72	25.86	19.21	39.05	95.36	48.64	47.62	12.72	25.86	32.17
5-0 x 8-2	16.69	33.80	25.21	51.05	95.36	63.54	62.20	16.69	33.80	40.34
5-4 x 8-2	18.02	36.45	27.21	55.05	95.36	68.50	67.06	18.02	36.45	43.06
6-0 x 8-2	20.67	41.75	31.21	63.05	95.36	78.44	76.80	20.67	41.75	48.51
6-2 x 8-2	21.47	43.36	32.43	65.48	95.36	81.46	79.76	21.47	43.36	50.16
7-0 x 8-2	24.64	49.70	37.21	75.05	95.36	93.34	91.38	24.64	49.70	56.67

The Weather Shield Contemporary Collection

OUTSWING HINGED PATIO DOORS (8617)

Opening Specifications

Call Size	Sq. Ft. Clear Opening		Clear Opening ^a			Sq. Ft. Daylight Opening		Sq. Ft. Vent		Sq. Ft. Overall Unit Area ^b
	1 Oper. Panel	2 Oper. Panels	Width		Height	3-1/4" Bottom Rail	5-1/8" Bottom Rail	1 Oper. Panel	2 Oper. Panels	
			1 Oper. Panel	2 Oper. Panels						
2-1 x 9-0	13.96	---	19.09	---	105.36	11.00	10.79	13.96	---	18.01
2-7 x 9-0	18.35	---	25.09	---	105.36	15.14	14.85	18.35	---	22.51
2-9 x 9-0	19.82	---	27.09	---	105.36	16.52	16.21	19.82	---	24.01
3-1 x 9-0	22.74	---	31.09	---	105.36	19.28	18.92	22.74	---	27.01
3-2 x 9-0	23.64	---	32.31	---	105.36	20.12	19.74	23.64	---	27.92
3-7 x 9-0	27.13	---	37.09	---	105.36	23.42	22.98	27.13	---	31.51
4-0 x 9-0	14.05	28.57	19.21	39.05	105.36	54.08	53.06	14.05	28.57	35.45
5-0 x 9-0	18.44	37.35	25.21	51.05	105.36	70.64	69.32	18.44	37.35	44.45
5-4 x 9-0	19.91	40.28	27.21	55.05	105.36	76.18	74.74	19.91	40.28	47.45
6-0 x 9-0	22.83	46.13	31.21	63.05	105.36	87.22	85.56	22.83	46.13	53.45
6-2 x 9-0	23.72	47.91	32.43	65.48	105.36	90.58	88.86	23.72	47.91	55.28
7-0 x 9-0	27.22	54.91	37.21	75.05	105.36	103.78	101.82	27.22	54.91	62.46
2-1 x 9-11	15.42	---	19.09	---	116.36	12.22	12.01	15.42	---	19.84
2-7 x 9-11	20.27	---	25.09	---	116.36	16.81	16.53	20.27	---	24.80
2-9 x 9-11	21.89	---	27.09	---	116.36	18.35	18.04	21.89	---	26.45
3-1 x 9-11	25.12	---	31.09	---	116.36	21.41	21.05	25.12	---	29.76
3-2 x 9-11	26.10	---	32.31	---	116.36	22.35	21.97	26.10	---	30.77
3-7 x 9-11	29.97	---	37.09	---	116.36	26.01	25.57	29.97	---	34.72
4-0 x 9-11	15.52	31.55	19.21	39.05	116.36	60.08	59.06	15.52	31.55	39.06
5-0 x 9-11	20.37	41.25	25.21	51.05	116.36	78.46	77.14	20.37	41.25	48.98
5-4 x 9-11	21.98	44.48	27.21	55.05	116.36	84.60	83.16	21.98	44.48	52.28
6-0 x 9-11	25.22	50.94	31.21	63.05	116.36	96.86	95.22	25.22	50.94	58.90
6-2 x 9-11	26.20	52.91	32.43	65.48	116.36	100.60	98.90	26.20	52.91	60.91
7-0 x 9-11	30.07	60.64	37.21	75.05	116.36	115.26	113.30	30.07	60.64	68.81

^a All calculations assume operating panel is open 90 degrees.

^b Sq. Ft. Overall Unit Area is calculated on the jamb dimension.

The Weather Shield Contemporary Collection

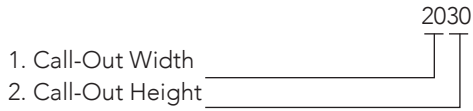
BI-FOLD PATIO DOORS

Bi-Fold Patio Door Table of Contents

Bi-Fold Patio Door Footnotes	111	Bi-Fold Patio Door Elevations	114
Bi-Fold Patio Door Quick Spec Guide	112	Bi-Fold Patio Door Cross Sections	118
Bi-Fold Patio Door Panel Configurations	113	Bi-Fold Patio Door Opening Specifications	121

Size Codes:

The Weather Shield size code uses meaningful characters to denote standard sizes. For example:



The Weather Shield Contemporary Collection

BI-FOLD PATIO DOORS (8623)

Quick Spec Guide

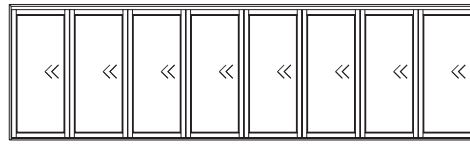
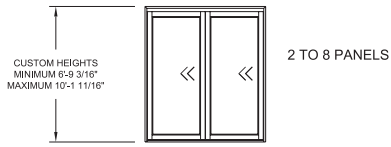
SPECIFICATION	STANDARD FEATURES	OPTIONAL FEATURES
EXTERIOR FINISH	<ul style="list-style-type: none"> White Cameo Tan Desert Tan Heritage Brown Adobe Craftsman Bronze Brick Red Hartford Green Gray Matters Obsidian Jet Black 	<ul style="list-style-type: none"> 4 Radiant Metallic 45 Designer 8 Anodized Custom Color
EXTERIOR TRIM	<ul style="list-style-type: none"> Integral Nail Fin 	<ul style="list-style-type: none"> 7/8" Brickmold 1-11/16" Brickmold 1-11/16" Flat Casing 3-5/16" Flat Casing Historical Brickmould
INTERIOR FINISH	<ul style="list-style-type: none"> Natural 	<ul style="list-style-type: none"> Stained & Sealed – 5 Standard / 10 Designer Primed Prefinished White & Black Poly – 12 Standard / 45 Designer
INTERIOR SPECIES	<ul style="list-style-type: none"> Pine 	<ul style="list-style-type: none"> Oak Maple Alder (Character) Cherry Mahogany Douglas Fir
SIZE	<ul style="list-style-type: none"> Width Two Panel Doors - 6-1 Three Panel Doors – 9-0 Four Panel Doors – 11-11 Five Panel Doors – 14-10 Six Panel Doors – 17-8 Seven Panel Doors – 20-7 Eight Panel Doors – 23-6 Height Bi-Fold Doors 6-10, 7-0, 7-4, 8-2, 8-4, 9-2, 10-2 	<ul style="list-style-type: none"> Two Panel Doors: Any jamb width: 48-9/32" to 80-15/16" Three Panel Doors: Any jamb width: 71-15/16" to 120-1/8" Four Panel Doors: Any jamb width: 93-29/32" to 159-1/2" Five Panel Doors: Any jamb width: 116-23/32" to 198-1/2" Six Panel Doors: Any jamb width: 139-17/32" to 237-5/8" Seven Panel Doors: Any jamb width: 162-11/32" to 276-3/4" Eight Panel Doors: Any jamb width: 185-5/32" to 290-29/32" Bi-Fold Doors: Any jamb height: 81-3/16" to 121-11/16"
GLAZING	<ul style="list-style-type: none"> Low-E Insulating Glass Tempered Glass 	<ul style="list-style-type: none"> Clear IG Low-E 240 Zo-e-shield 5 Grey or Bronze Tint Obscure Zo-e-shield Extreme
GRILLES		<ul style="list-style-type: none"> GBG: 5/8" Flat or 11/16" Sculptured SDL: 5/8", 7/8", 1-1/8", 2"
HARDWARE	<ul style="list-style-type: none"> Adjustable hinge 	<ul style="list-style-type: none"> 3 point lock Dallas Handle No Key, Keyed Random, Keyed alike locks
HARDWARE COLOR	<ul style="list-style-type: none"> Oil Rubbed Bronze (Hinges) Rustic Bronze (Handles) 	<ul style="list-style-type: none"> Stainless Steel (Hinges) Satin Nickel, Matte Black (Handles)
JAMB	<ul style="list-style-type: none"> 5-5/16" 	<ul style="list-style-type: none"> 5-5/16 Min 12" Max
SCREEN	<ul style="list-style-type: none"> No Screen 	<ul style="list-style-type: none"> Retractable Screen Retractable Shade
SCREEN COLOR	<ul style="list-style-type: none"> Bronze 	<ul style="list-style-type: none"> White Clear Anodized Wood Wrapped
RAILS	<ul style="list-style-type: none"> 3-1/4" (top) 3-1/4" (bottom) 	<ul style="list-style-type: none"> 5-1/8" (bottom)
SILL TYPE	<ul style="list-style-type: none"> Standard 	<ul style="list-style-type: none"> ADA U-channel
SILL FINISH	<ul style="list-style-type: none"> Bronze Anodized 	<ul style="list-style-type: none"> Clear Anodized

BI-FOLD PATIO DOORS

The Weather Shield Contemporary Collection

BI-FOLD PATIO DOORS (8623)

Panel Configurations



CUSTOM WIDTHS		
NUMBER OF PANELS	MINIMUM JAMB WIDTH	MAXIMUM JAMB WIDTH
2	4'-0 9/32"	6'-8 15/16"
3	5'-11 15/16"	10'-0 27/32"
4	7'-9 29/32"	12'-2 25/32"
5	9'-8 23/32"	15'-2 13/16"
6	11'-7 17/32"	18'-2 27/32"
7	13'-6 11/32"	23'-0 3/4"
8	15'-5 5/32"	24'-2 29/32"

PANEL CONFIGURATIONS



BI-FOLD PATIO DOORS

The Weather Shield Contemporary Collection

2 PANEL, 3 PANEL, 4 PANEL BI-FOLD PATIO DOORS (8623)

Elevations

Unit Dimension	6'-0 9/32"	8'-11 3/32"	11'-9 29/32"	11'-10 21/32"
Rough Opening	6'-1 1/16"	8'-11 7/8"	11'-10 11/16"	11'-11 7/16"
Soft Metric R.O. (mm)	1856	2740	3624	3643
Glass Size	29 3/32"	29 3/32"	29 3/32"	29 3/32"

6'-9 3/16"				
6'-9 11/16"	61610	90610	1111610	1111610
7'-0 3/16"				
7'-0 7/16"	6170	9070	111170	111170
7'-3 1/16"				
7'-4 3/16"	6174	9074	111174	111174
8'-1 1/16"				
8'-2 3/16"	6182	9082	111182	111182
8'-3 1/16"				
8'-4 3/16"	6184	9084	111184	111184
9'-1 1/16"				
9'-2 3/16"	6192	9092	111192	111192
10'-1 1/16"				
10'-2 3/16"	61102	90102	1111102	1111102

2L shown; 2R available

3L shown; 3R, 2L1R, 1L2R available

4L shown; 4R, 2L2R available

3L1R shown; 1L3R available

BI-FOLD PATIO DOORS

The Weather Shield Contemporary Collection

5 PANEL, 6 PANEL BI-FOLD PATIO DOORS (8623)

Elevations

Unit Dimension	14'-8 23/32"	17'-7 17/32"	17'-8 9/32"
Rough Opening	14'-9 1/2"	17'-8 5/16"	17'-9 1/16"
Soft Metric R.O. (mm)	4509	5393	5412
Glass Size	29 3/32"	29 3/32"	29 3/32"

6'-9 3/16"			
6'-9 11/16"	1410610	178610	178610
6'-11 11/16"			
7'-0 3/16"	141070	17870	17870
7'-3 11/16"			
7'-4 3/16"	141074	17874	17874
8'-1 11/16"			
8'-2 3/16"	141082	17882	17882
8'-3 11/16"			
8'-4 3/16"	141084	17884	17884
9'-1 11/16"			
9'-2 3/16"	141092	17892	17892
10'-1 11/16"			
10'-2 3/16"	1410102	178102	178102

6'-9 3/16"	70 15/16"	2075
6'-9 11/16"	70 15/16"	2138
6'-11 11/16"	73 7/16"	2240
7'-3 11/16"	77 7/16"	2494
7'-4 3/16"	87 7/16"	2545
8'-1 11/16"	87 7/16"	2799
8'-2 3/16"	87 7/16"	3104
8'-3 11/16"	89 7/16"	
8'-4 3/16"	89 7/16"	
9'-1 11/16"	99 7/16"	
9'-2 3/16"	99 7/16"	
10'-1 11/16"	111 7/16"	
10'-2 3/16"	111 7/16"	

5L shown; 5R, 4L1R, 3L2R, 2L3R, 1L4R available	6L shown; 6R, 4L2R, 2L4R available	5L1R shown; 1L5R, 3L3R available
--	------------------------------------	----------------------------------

BI-FOLD PATIO DOORS

The Weather Shield Contemporary Collection

7 PANEL BI-FOLD PATIO DOORS (8623)

Elevations

Unit Dimension	20'-6 11/32"
Rough Opening	20'-7 1/8"
Soft Metric R.O. (mm)	6277
Glass Size	29 3/32"

6'-9 3/16"	6'-9 3/16"	2075	70 15/16"		207610
6'-11 11/16"	7'-0 3/16"	2138	73 7/16"		20770
7'-3 11/16"	7'-4 3/16"	2240	77 7/16"		20774
8'-1 11/16"	8'-2 3/16"	2494	87 7/16"		20782
8'-3 11/16"	8'-4 3/16"	2545	89 7/16"		20784
9'-1 11/16"	9'-2 3/16"	2799	99 7/16"		20792
10'-1 11/16"	10'-2 3/16"	3104	111 7/16"		207102

7L shown; 7R, 6L1R, 5L2R, 4L3R, 3L4R,
2L1R, 1L6R available

BI-FOLD PATIO DOORS

The Weather Shield Contemporary Collection

8 PANEL BI-FOLD PATIO DOORS (8623)

Elevations

Unit Dimension	23'-5 5/32"	23'-5 29/32"
Rough Opening	23'-5 15/16"	23'-6 11/16"
Soft Metric R.O. (mm)	7161	7180
Class Size	29 3/32"	29 3/32"

6'-9 3/16"	6'-9 3/16"	236610	236610
6'-11 11/16"	7'-0 3/16"	23670	23670
7'-3 11/16"	7'-4 3/16"	23674	23674
8'-1 11/16"	8'-2 3/16"	23682	23682
8'-3 11/16"	8'-4 3/16"	23684	23684
9'-1 11/16"	9'-2 3/16"	23692	23692
10'-1 11/16"	10'-2 3/16"	236102	236102

8L shown; 8R, 6L2R, 4L4R, 2L6R available

7L1R shown; 5L3R, 3L5R, 1L7R available

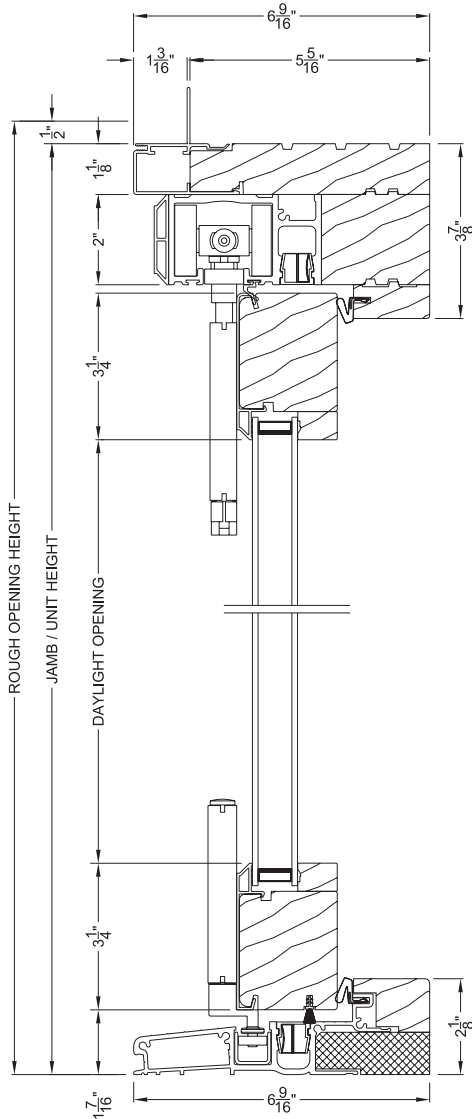
BI-FOLD PATIO DOORS

The Weather Shield Contemporary Collection

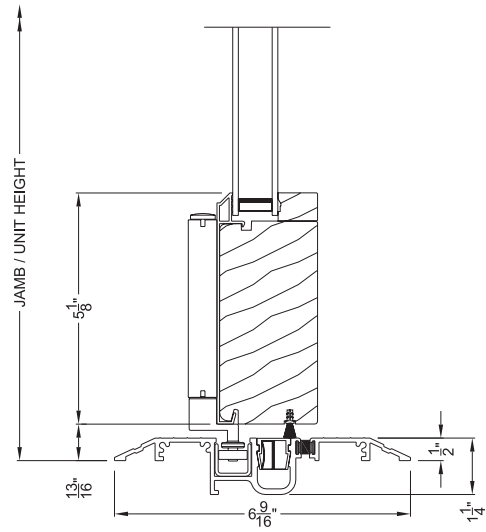
BI-FOLD PATIO DOORS (8623)

Cross Sections

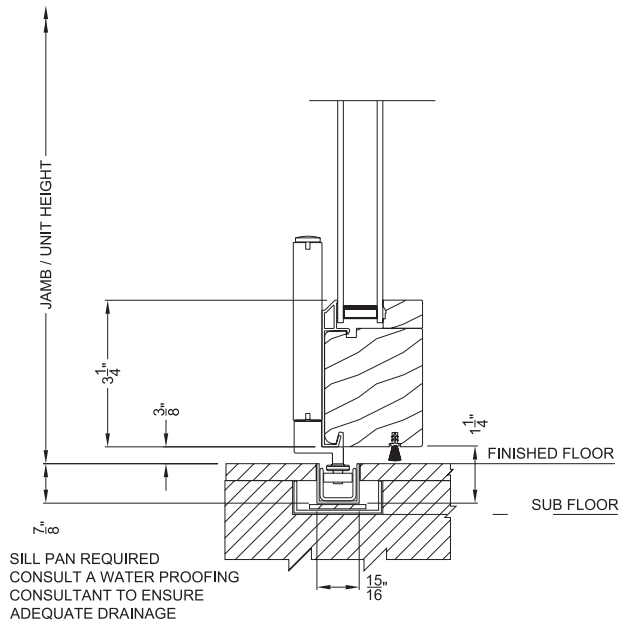
BI-FOLD PATIO DOORS



CONTEMPORARY BI-FOLD DOOR (8623)
Vertical Section - Standard Sill - 3-1/4" Bottom Rail



CONTEMPORARY BI-FOLD DOOR (8623)
Vertical Section - ADA Sill - 5-1/8" Bottom Rail



SILL PAN REQUIRED
CONSULT A WATER PROOFING
CONSULTANT TO ENSURE
ADEQUATE DRAINAGE

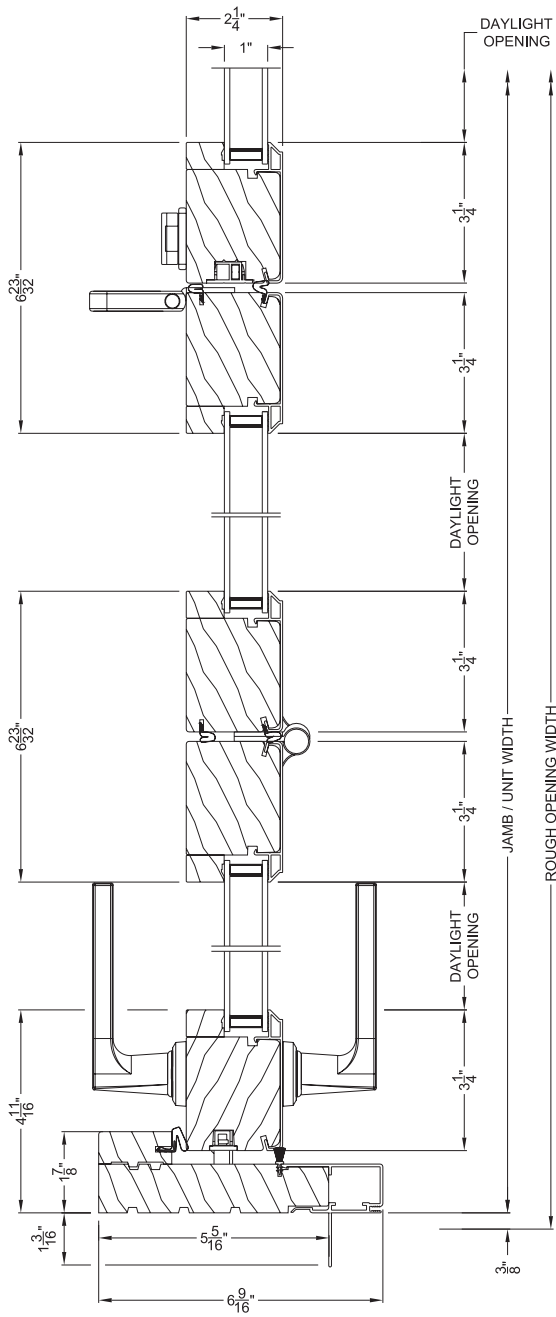
CONTEMPORARY BI-FOLD DOOR (8623)
Vertical Section - U-channel Sill - 3-1/4" Bottom Rail

Note: All dimensions are approximate. Weather Shield reserves the right to change specifications without notice.

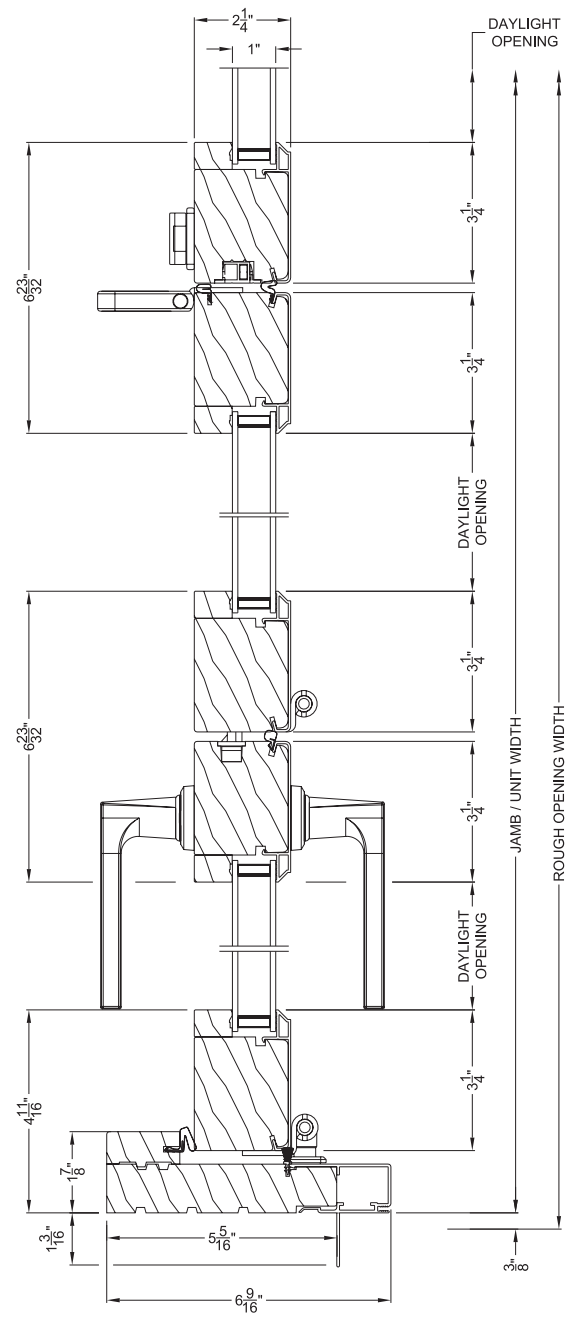
The Weather Shield Contemporary Collection

BI-FOLD PATIO DOORS (8623)

Cross Sections



CONTEMPORARY BI-FOLD DOOR (8623)
Horizontal Section



CONTEMPORARY BI-FOLD DOOR (8623)
Horizontal Section

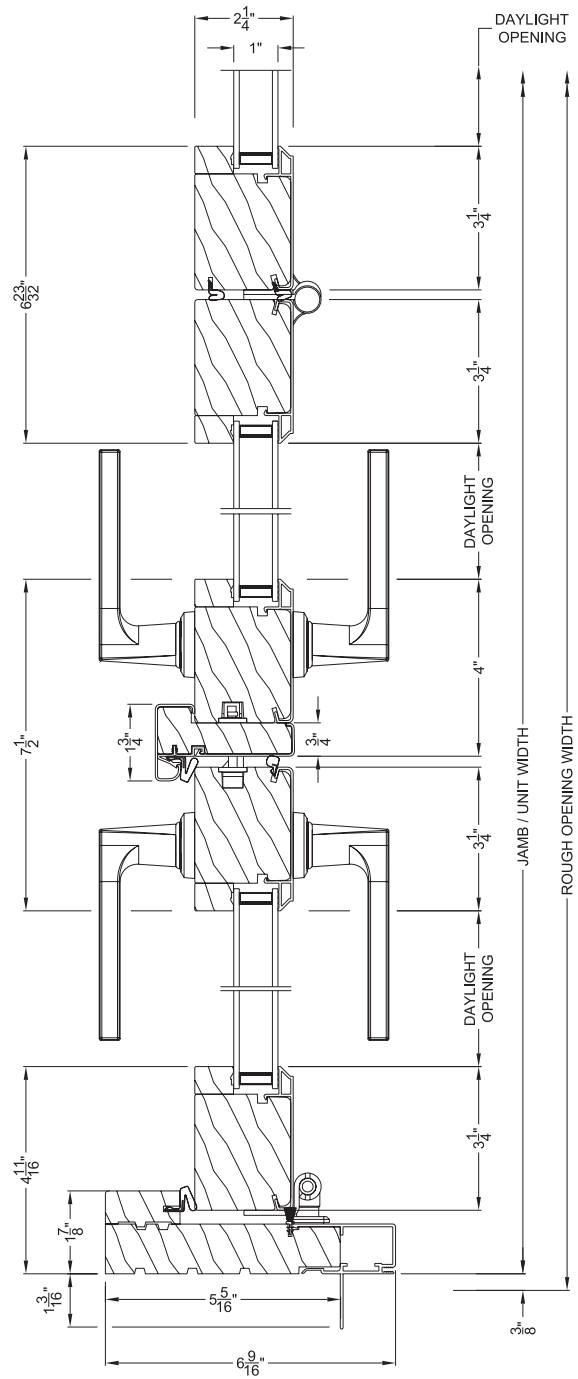
Note: All dimensions are approximate. Weather Shield reserves the right to change specifications without notice.

The Weather Shield Contemporary Collection

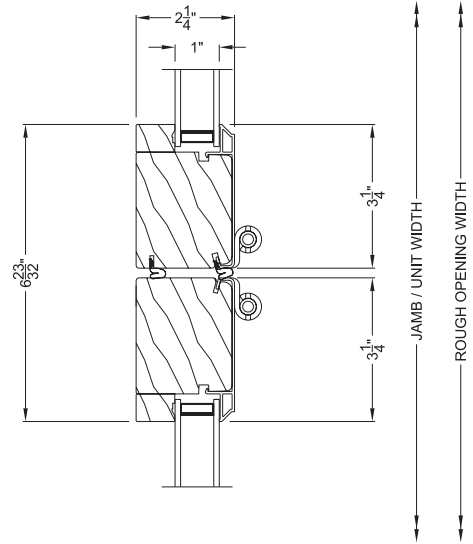
BI-FOLD PATIO DOORS (8623)

Cross Sections

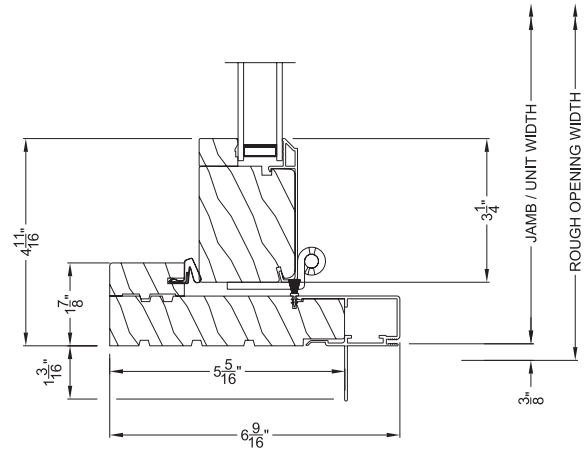
BI-FOLD PATIO DOORS



CONTEMPORARY BI-FOLD DOOR (8623)
Horizontal Section



CONTEMPORARY BI-FOLD DOOR (8623)
Horizontal Section



CONTEMPORARY BI-FOLD DOOR (8623)
Horizontal Section

Note: All dimensions are approximate. Weather Shield reserves the right to change specifications without notice.

The Weather Shield Contemporary Collection

BI-FOLD PATIO DOORS (8623)

Opening Specifications

	Unit Code	Sq. Ft. Clear Opening / Vent			Clear Opening				Sq. Ft. DLO		Sq. Ft. Overall Unit Area ^a
		Std. Sill	ADA Sill	U-channel Sill	Width	Height (Std Sill)	Height (ADA Sill)	Height (U-channel Sill)	3-1/4" Rail	5-1/8" Rail	
2 Panel Doors	6-1 x 6-10	32.92	33.36	33.39	63.05	75.19	76.19	76.25	27.48	26.76	40.75
	6-1 x 7-0	34.02	34.46	34.48	63.05	77.69	78.69	78.75	28.48	27.74	42.01
	6-1 x 7-4	35.77	36.21	36.23	63.05	81.69	82.69	82.75	30.04	29.30	44.02
	6-1 x 8-2	40.15	40.59	40.61	63.05	91.69	92.69	92.75	33.96	33.22	49.03
	6-1 x 8-4	41.02	41.46	41.49	63.05	93.69	94.69	94.75	34.74	34.02	50.04
	6-1 x 9-2	45.40	45.84	45.87	63.05	103.69	104.69	104.75	38.68	37.94	55.06
6-1 x 10-2	50.66	51.09	51.12	63.05	115.69	116.69	116.75	42.64	42.64	61.08	
3 Panel Doors	9-0 x 6-10	48.62	49.27	49.31	93.12	75.19	76.19	76.25	41.22	40.14	60.38
	9-0 x 7-0	50.24	50.88	50.92	93.12	77.69	78.69	78.75	42.72	41.61	62.24
	9-0 x 7-4	52.82	53.47	53.51	93.12	81.69	82.69	82.75	45.06	43.95	65.21
	9-0 x 8-2	59.29	59.94	59.98	93.12	91.69	92.69	92.75	50.94	49.83	72.65
	9-0 x 8-4	60.58	61.23	61.27	93.12	93.69	94.69	94.75	52.11	51.03	74.14
	9-0 x 9-2	67.05	67.70	67.74	93.12	103.69	104.69	104.75	58.02	56.91	81.58
9-0 x 10-2	74.81	75.46	75.50	93.12	115.69	116.69	116.75	63.96	63.96	90.50	
4 Panel Doors	11-11 x 6-10	66.28	67.16	67.22	126.95	75.19	76.19	76.25	54.96	53.52	80.01
	11-11 x 7-0	68.49	69.37	69.42	126.95	77.69	78.69	78.75	56.96	55.48	82.47
	11-11 x 7-4	72.01	72.89	72.95	126.95	81.69	82.69	82.75	60.08	58.60	86.41
	11-11 x 8-2	80.83	81.71	81.77	126.95	91.69	92.69	92.75	67.92	66.44	96.27
	11-11 x 8-4	82.59	83.47	83.53	126.95	93.69	94.69	94.75	69.48	68.04	98.24
	11-11 x 9-2	91.41	92.29	92.34	126.95	103.69	104.69	104.75	77.36	75.88	108.09
11-11 x 10-2	101.99	102.87	102.92	126.95	115.69	116.69	116.75	85.28	85.28	119.92	
4 Panel Doors w/ Astragal	11-11 x 6-10	65.82	66.69	66.75	126.05	75.19	76.19	76.25	54.96	53.52	80.43
	11-11 x 7-0	68.00	68.88	68.93	126.05	77.69	78.69	78.75	56.96	55.48	82.91
	11-11 x 7-4	71.51	72.38	72.44	126.05	81.69	82.69	82.75	60.08	58.60	86.87
	11-11 x 8-2	80.26	81.14	81.19	126.05	91.69	92.69	92.75	67.92	66.44	96.78
	11-11 x 8-4	82.01	82.89	82.94	126.05	93.69	94.69	94.75	69.48	68.04	98.76
	11-11 x 9-2	90.76	91.64	91.69	126.05	103.69	104.69	104.75	77.36	75.88	108.66
11-11 x 10-2	101.27	102.14	102.20	126.05	115.69	116.69	116.75	85.28	85.28	120.55	
5 Panel Doors	14-10 x 6-10	81.98	83.07	83.14	157.01	75.19	76.19	76.25	68.70	66.90	99.63
	14-10 x 7-0	84.71	85.80	85.86	157.01	77.69	78.69	78.75	71.20	69.35	102.70
	14-10 x 7-4	89.07	90.16	90.23	157.01	81.69	82.69	82.75	75.10	73.25	107.61
	14-10 x 8-2	99.97	101.06	101.13	157.01	91.69	92.69	92.75	84.90	83.05	119.88
	14-10 x 8-4	102.15	103.24	103.31	157.01	93.69	94.69	94.75	86.85	85.05	122.34
	14-10 x 9-2	113.06	114.15	114.21	157.01	103.69	104.69	104.75	96.70	94.85	134.61
14-10 x 10-2	126.14	127.23	127.30	157.01	115.69	116.69	116.75	106.60	106.60	149.34	
6 Panel Doors	17-8 x 6-10	97.81	99.11	99.19	187.33	75.19	76.19	76.25	82.44	80.28	119.26
	17-8 x 7-0	101.06	102.36	102.45	187.33	77.69	78.69	78.75	85.44	83.22	122.93
	17-8 x 7-4	106.27	107.57	107.65	187.33	81.69	82.69	82.75	90.12	87.90	128.81
	17-8 x 8-2	119.28	120.58	120.66	187.33	91.69	92.69	92.75	101.88	99.66	143.50
	17-8 x 8-4	121.88	123.18	123.26	187.33	93.69	94.69	94.75	104.22	102.06	146.44
	17-8 x 9-2	134.89	136.19	136.27	187.33	103.69	104.69	104.75	116.04	113.82	161.13
17-8 x 10-2	150.50	151.80	151.88	187.33	115.69	116.69	116.75	127.92	127.92	178.75	
6 Panel Doors w/ Astragal	17-8 x 6-10	97.74	99.04	99.12	187.18	75.19	76.19	76.25	82.44	80.28	119.68
	17-8 x 7-0	100.99	102.29	102.37	187.18	77.69	78.69	78.75	85.44	83.22	123.37
	17-8 x 7-4	106.18	107.48	107.57	187.18	81.69	82.69	82.75	90.12	87.90	129.27
	17-8 x 8-2	119.18	120.48	120.56	187.18	91.69	92.69	92.75	101.88	99.66	144.01
	17-8 x 8-4	121.78	123.08	123.16	187.18	93.69	94.69	94.75	104.22	102.06	146.96
	17-8 x 9-2	134.78	136.08	136.16	187.18	103.69	104.69	104.75	116.04	113.82	161.70
17-8 x 10-2	150.38	151.68	151.76	187.18	115.69	116.69	116.75	127.92	127.92	179.39	
7 Panel Doors	20-7 x 6-10	115.47	117.01	117.11	221.16	75.19	76.19	76.25	96.18	93.66	138.89
	20-7 x 7-0	119.31	120.85	120.95	221.16	77.69	78.69	78.75	99.68	97.09	143.17
	20-7 x 7-4	125.46	126.99	127.09	221.16	81.69	82.69	82.75	105.14	102.55	150.01
	20-7 x 8-2	140.82	142.35	142.45	221.16	91.69	92.69	92.75	118.86	116.27	167.12
	20-7 x 8-4	143.89	145.42	145.52	221.16	93.69	94.69	94.75	121.59	119.07	170.54
	20-7 x 9-2	159.25	160.78	160.88	221.16	103.69	104.69	104.75	135.38	132.79	187.64
20-7 x 10-2	177.67	179.21	179.31	221.16	115.69	116.69	116.75	149.24	149.24	208.17	
8 Panel Doors	23-6 x 6-10	133.14	134.91	135.02	254.99	75.19	76.19	76.25	109.92	107.04	158.52
	23-6 x 7-0	137.56	139.33	139.45	254.99	77.69	78.69	78.75	113.92	110.96	163.40
	23-6 x 7-4	144.65	146.42	146.53	254.99	81.69	82.69	82.75	120.16	117.20	171.21
	23-6 x 8-2	162.35	164.13	164.24	254.99	91.69	92.69	92.75	135.84	132.88	190.73
	23-6 x 8-4	165.90	167.67	167.78	254.99	93.69	94.69	94.75	138.96	136.08	194.64
	23-6 x 9-2	183.60	185.37	185.48	254.99	103.69	104.69	104.75	154.72	151.76	214.16
23-6 x 10-2	204.85	206.62	206.73	254.99	115.69	116.69	116.75	170.56	170.56	237.59	
8 Panel Doors w/ Astragal	23-6 x 6-10	133.06	134.83	134.94	254.84	75.19	76.19	76.25	109.92	107.04	158.94
	23-6 x 7-0	137.49	139.26	139.37	254.84	77.69	78.69	78.75	113.92	110.96	163.83
	23-6 x 7-4	144.56	146.33	146.44	254.84	81.69	82.69	82.75	120.16	117.20	171.66
	23-6 x 8-2	162.26	164.03	164.14	254.84	91.69	92.69	92.75	135.84	132.88	191.24
	23-6 x 8-4	165.80	167.57	167.68	254.84	93.69	94.69	94.75	138.96	136.08	195.15
	23-6 x 9-2	183.50	185.27	185.38	254.84	103.69	104.69	104.75	154.72	151.76	214.73
23-6 x 10-2	204.73	206.50	206.62	254.84	115.69	116.69	116.75	170.56	170.56	238.22	

^a Sq. Ft. Overall Unit Area is calculated on the jamb dimension for standard sill.

The Weather Shield Contemporary Collection

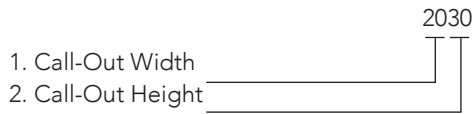
SLIDING PATIO DOORS (8717)

Sliding Patio Door Table of Contents

Sliding Patio Door Footnotes.....	122	Sliding Patio Door Cross Sections	128
Sliding Patio Door Quick Spec Guide	123	Sliding Patio Door Opening Specifications	130
Sliding Patio Door Elevations	124		

Size Codes:

The Weather Shield size code uses meaningful characters to denote standard sizes. For example:



Product Information:

- 2-Panel Sliding doors available as XO or OX as viewed from the exterior.
- 3-Panel Sliding doors available as OXS, SXO, SOX, XOS as viewed from the exterior.
- 4-Panel Sliding doors are OXXO as viewed from the exterior.
- X = Active Panel, O = Inactive Panel, S = Stationary Panel

The Weather Shield Contemporary Collection

SLIDING PATIO DOORS (8717)

Quick Spec Guide

SPECIFICATION	STANDARD FEATURES	OPTIONAL FEATURES
EXTERIOR FINISH	<ul style="list-style-type: none"> White Cameo Tan Desert Tan Heritage Brown Adobe 	<ul style="list-style-type: none"> Craftsman Bronze Brick Red Hartford Green Gray Matters Obsidian Jet Black
EXTERIOR TRIM	<ul style="list-style-type: none"> Integral Nail Fin 	<ul style="list-style-type: none"> 4 Radiant Metallic 45 Designer 8 Anodized Custom Color
INTERIOR FINISH	<ul style="list-style-type: none"> Natural 	<ul style="list-style-type: none"> 7/8" Brickmold 1-11/16" Brickmold 1-11/16" Flat Casing 3-5/16" Flat Casing Historical Brickmould
INTERIOR SPECIES	<ul style="list-style-type: none"> Pine 	<ul style="list-style-type: none"> Stained & Sealed – 5 Standard / 10 Designer Primed Prefinished White & Black Poly – 12 Standard / 45 Designer
SIZE	<ul style="list-style-type: none"> Width Single Panel Doors 2-9, 3-3, 4-3 Two Panel Doors 5-0, 6-0, 6-10, 8-0 Three Panel Doors 7-8, 9-2, 12-2 Four Panel Doors 9-10, 11-10, 15-10 Height 6-8, 6-10, 7-2, 8-0, 8-2 	<ul style="list-style-type: none"> Oak Maple Alder (Character) Cherry Mahogany Douglas Fir
GLAZING	<ul style="list-style-type: none"> Low-E Insulating Glass Tempered Glass 	<ul style="list-style-type: none"> Single Panel Doors: Any jamb width: 15-7/8" to 74-1/2" Two Panel Doors: Any jamb width: 43-13/16" to 101" Three Panel Doors: Any jamb width: 67-1/4" to 144-9/16" Four Panel Doors: Any jamb width: 85-3/4" to 188-5/8" Sliding Doors: Any jamb height: 60" to 98"
GRILLES		<ul style="list-style-type: none"> Clear IG Low-E 240 Zo-e-shield 5 Zo-e-shield Extreme Zo-e Shield 6 (laminated) Grey or Bronze Tint Obscure
HARDWARE	<ul style="list-style-type: none"> 3 point lock Dallas Lockset Style No Key lock Standard rollers 	<ul style="list-style-type: none"> GBG: 5/8" Flat or 11/16" Sculptured SDL: 5/8", 7/8", 1-1/8", 2" Two point lock Arch top or Square top escutcheon plate Keyed alike locks Keyed random locks Stainless Steel rollers Foot activated Security Bolt
HARDWARE COLOR	<ul style="list-style-type: none"> Bright Brass PVD Antique Brass Black 	<ul style="list-style-type: none"> Brushed Nickel PVD Oil Rubbed Bronze Chrome
JAMB	<ul style="list-style-type: none"> 4-9/16" 	<ul style="list-style-type: none"> 4-9/16 Min 12" Max
RAILS	<ul style="list-style-type: none"> 3-1/4" Bottom Rail 	<ul style="list-style-type: none"> 5-1/8" Bottom Rail
SCREEN	<ul style="list-style-type: none"> Premium sliding screen No-See-Um Screen Cloth 	<ul style="list-style-type: none"> Standard sliding screen Aluminum Screen Cloth
SCREEN COLOR	<ul style="list-style-type: none"> Matches exterior color 	

The Weather Shield Contemporary Collection

SLIDING PATIO DOORS (8717)

Elevations

Unit Dimension	4'-11 1/4"	5'-11 1/4"	6'-9 1/4"	7'-11 1/4"	2'-8 1/4"	3'-2 1/4"	4'-2 1/4"
Rough Opening	5'-0"	6'-0"	6'-10"	8'-0"	2'-9"	3'-3"	4'-3"
Soft Metric R.O. (mm)	1524	1829	2083	2438	838	991	1294
Glass Size	24 3/8"	30 3/8"	35 3/8"	42 3/8"	24 3/8"	30 3/8"	42 3/8"

SLIDING PATIO DOORS	6'-7 1/2"							
	6'-8"	5068	6068	6668	8068	2968	3368	4368
	6'-10"							
	6'-10 1/2"	50610	60610	66610	80610	29610	33610	43610
	2032							
70 15/16"								
7'-2"	5072	6072	6672	8072	2972	3372	4372	
7'-2 1/2"								
7'-2 1/2"	5080	6080	6680	8080	2980	3380	4380	
2197								
77 7/16"								
7'-2 1/2"	5082	6082	6682	8082	2982	3382	4382	
8'-0"								
8'-0 1/2"	5082	6082	6682	8082	2982	3382	4382	
2451								
87 7/16"								
8'-2"								
8'-2 1/2"	5082	6082	6682	8082	2982	3382	4382	
2502								
89 7/16"								

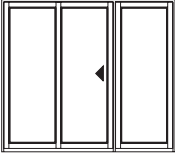
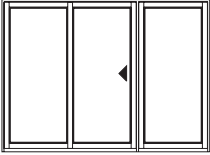
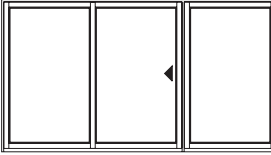
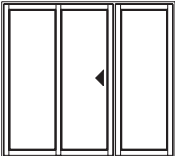
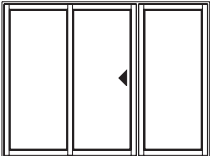
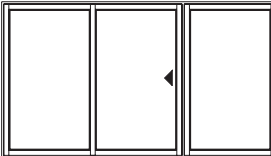
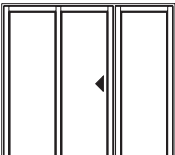
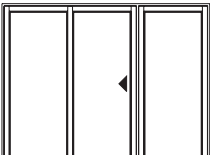
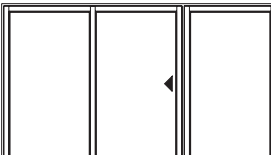
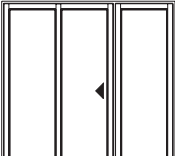
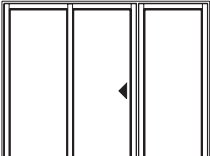
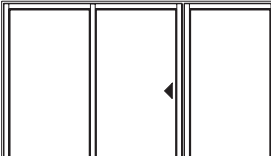
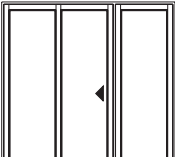
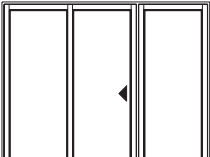
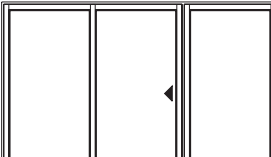
NOTE: Two panel units are also available in reverse operation (XO)

The Weather Shield Contemporary Collection

3-WIDE SLIDING PATIO DOORS (8717)

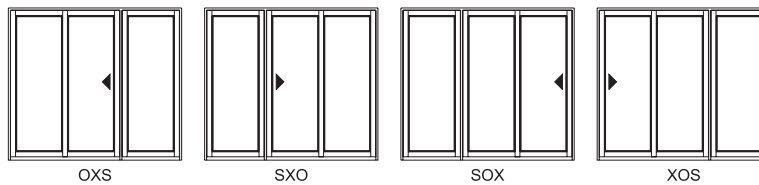
Elevations

Unit Dimension	7'-6 9/16"	9'-0 9/16"	12'-0 9/16"
Rough Opening	7'-7 5/16"	9'-1 5/16"	12'-1 5/16"
Soft Metric R.O. (mm)	2319	2777	3691
Glass Size	24 3/8"	30 3/8"	42 3/8"

6'-7 1/2"	6'-8"	2032	70 15/16"			
				7868	9268	12268
6'-10"	6'-10 1/2"	2096	73 7/16"			
				78610	92610	122610
7'-2"	7'-2 1/2"	2197	77 7/16"			
				7872	9272	12272
8'-0"	8'-0 1/2"	2451	87 7/16"			
				7880	9280	12280
8'-2"	8'-2 1/2"	2502	89 7/16"			
				7882	9282	12282

SLIDING PATIO DOORS

3-Panel Operating Codes



The Weather Shield Contemporary Collection

4-WIDE SLIDING PATIO DOORS (8717)

Elevations

Unit Dimension	9'-8 5/8"	11'-8 5/8"	15'-8 5/8"
Rough Opening	9'-9 3/8"	11'-9 3/8"	15'-9 3/8"
Soft Metric R.O. (mm)	2981	3591	4810
Glass Size	24 3/8"	30 3/8"	41 3/8"

6'-7 1/2"	6'-8"	2032	70 15/16"			
91068	111068	151068				
6'-10"	6'-10 1/2"	2096	73 7/16"			
910610	1110610	1510610				
7'-2"	7'-2 1/2"	2197	77 7/16"			
91072	111072	151072				
8'-0"	8'-0 1/2"	2451	87 7/16"			
91080	111080	151080				
8'-2"	8'-2 1/2"	2502	89 7/16"			
91082	111082	151082				

NOTE: Both center panels operate. Left panel is the primary.

SLIDING PATIO DOORS

The Weather Shield Contemporary Collection

PICTURE SLIDING PATIO DOORS (8717)

Elevations

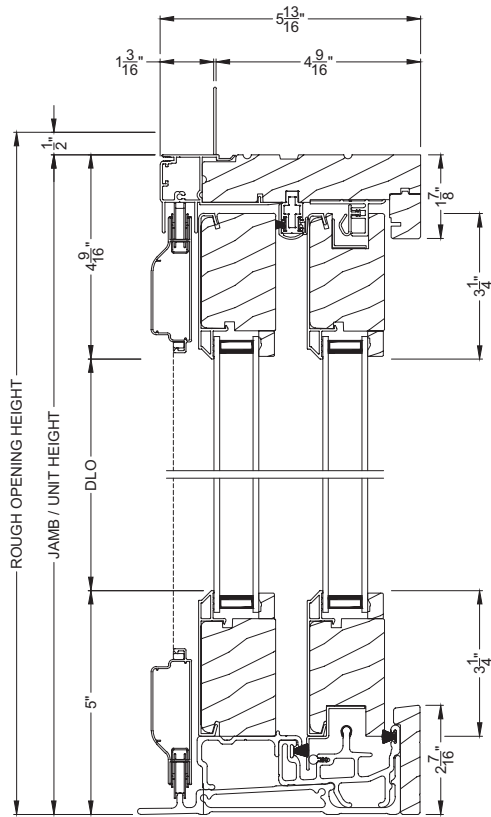
Unit Dimension	7'-5 1/8"	8'-11 1/8"	9'-8 1/4"	11'-8 1/4"
Rough Opening	7'-5 7/8"	8'-11 7/8"	9'-9"	11'-9"
Soft Metric R.O. (mm)	2283	2740	2972	3581
Glass Size	24 3/8" / 54 1/4"	30 3/8" / 66 1/4"	24 3/8" / 54 1/4" / 24 3/8"	30 3/8" / 66 1/4" / 30 3/8"
6'-7 1/2"				
6'-8"				
6'-10"				
7'-2"				
8'-0"				
8'-2"				

NOTE: Two panel units are also available in reverse operation (OX)

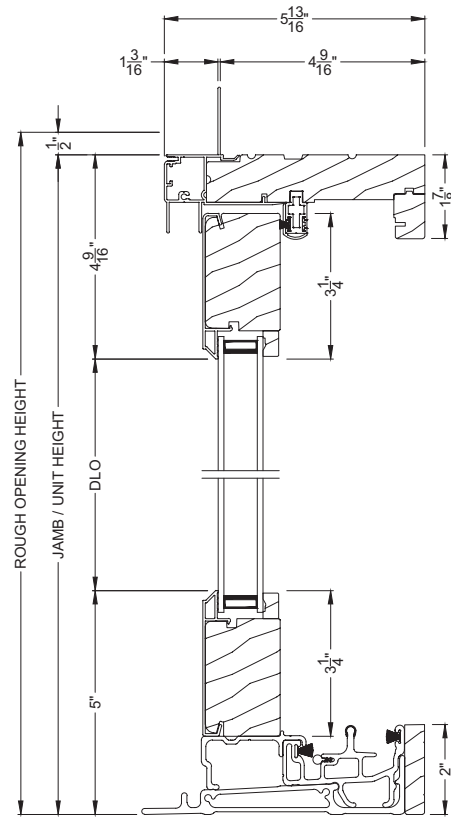
The Weather Shield Contemporary Collection

SLIDING PATIO DOORS (8717)

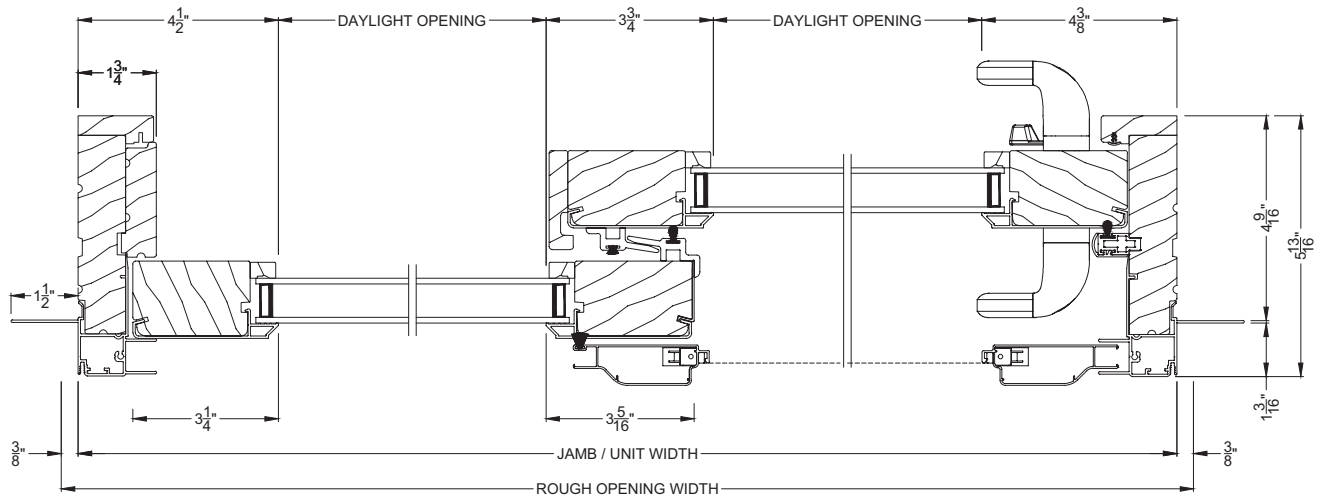
Cross Sections



CONTEMPORARY SLIDING PATIO DOOR (8717)
Vertical Section



CONTEMPORARY SLIDING PATIO DOOR (8717)
Vertical Section - Fixed Sidelite with Low profile sill stop



CONTEMPORARY SLIDING PATIO DOOR (8717)
Horizontal Section - 2 Panel Equal or Picture Slider

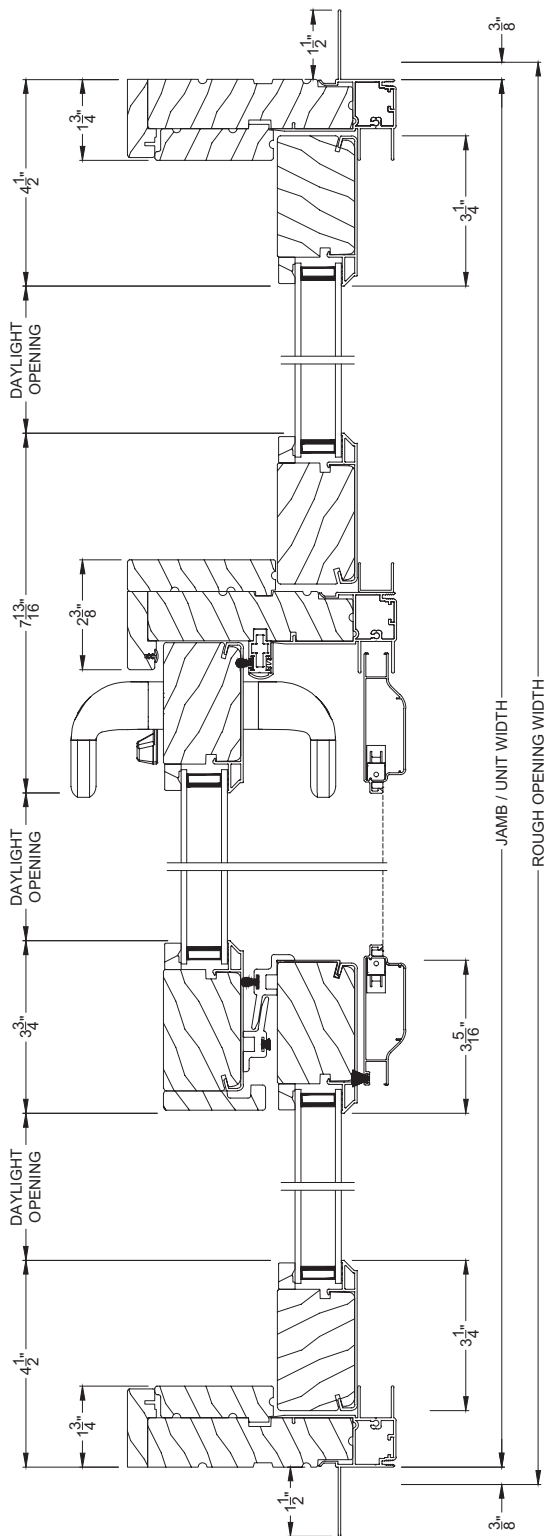
Note: All dimensions are approximate. Weather Shield reserves the right to change specifications without notice.

SLIDING PATIO DOORS

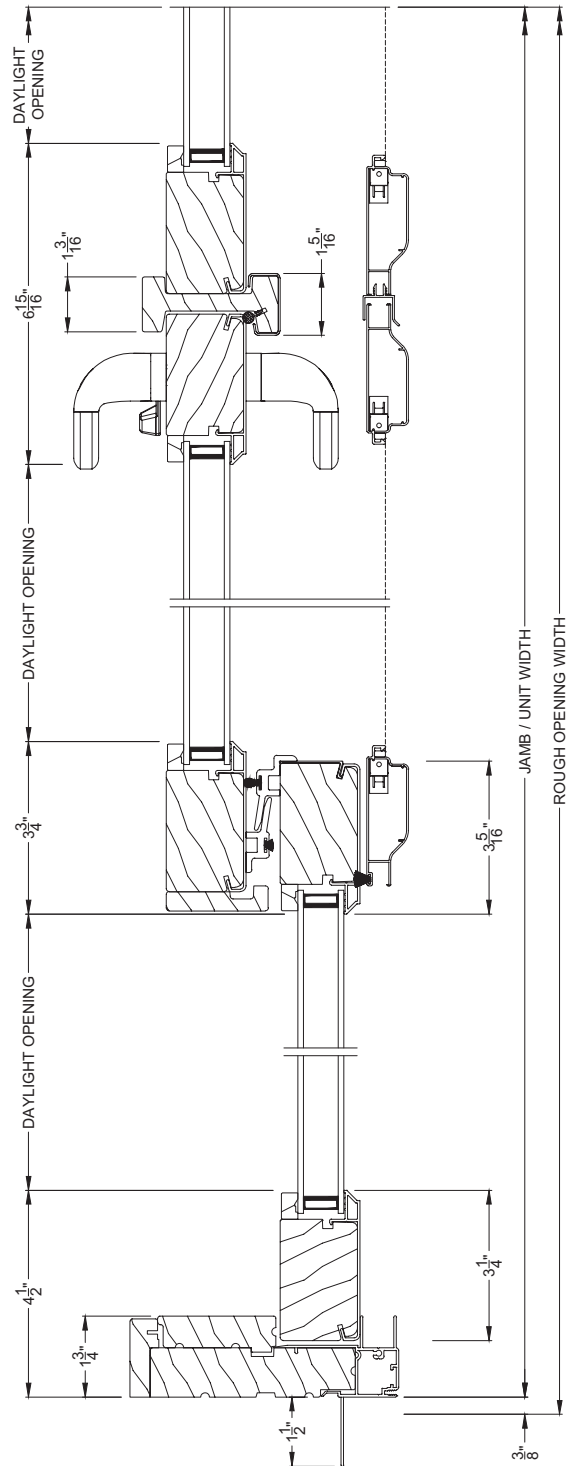
The Weather Shield Contemporary Collection

SLIDING PATIO DOORS (8717)

Cross Sections



CONTEMPORARY SLIDING PATIO DOOR (8717)
Horizontal Section - 3 Panel Door



CONTEMPORARY SLIDING PATIO DOOR (8717)
Horizontal Section - 4 Panel Door

Note: All dimensions are approximate. Weather Shield reserves the right to change specifications without notice.

The Weather Shield Contemporary Collection

SLIDING PATIO DOORS (8717)

Opening Specifications

Call Size	Clear Opening			Sq. Ft. Daylight Opening		Sq. Ft. Vent	Sq. Ft. Overall Unit Area ^a	
	Sq. Ft.	Width	Height ^b	3-1/4" Bottom Rail	5-1/8" Bottom Rail			
2-Panel Doors	5-0 x 6-8	11.23	21.38	75.69	22.71	22.10	11.23	32.71
	6-0 x 6-8	14.39	27.38	75.69	28.53	27.77	14.39	39.34
	6-10 x 6-8	17.02	32.38	75.69	33.39	32.50	17.02	44.86
	8-0 x 6-8	20.70	39.38	75.69	40.19	39.11	20.70	52.59
	5-0 x 6-10	11.61	21.38	78.19	23.52	22.91	11.61	33.74
	6-0 x 6-10	14.86	27.38	78.19	29.55	28.79	14.86	40.57
	6-10 x 6-10	17.58	32.38	78.19	34.58	33.69	17.58	46.27
	8-0 x 6-10	21.38	39.38	78.19	41.63	40.55	21.38	54.24
	5-0 x 7-2	12.20	21.38	82.19	24.82	24.21	12.20	35.39
	6-0 x 7-2	15.62	27.38	82.19	31.19	30.42	15.62	42.55
	6-10 x 7-2	18.48	32.38	82.19	36.49	35.60	18.48	48.52
	8-0 x 7-2	22.47	39.38	82.19	43.93	42.85	22.47	56.89
	5-0 x 8-0	13.68	21.38	92.19	28.06	27.45	13.68	39.50
	6-0 x 8-0	17.53	27.38	92.19	35.27	34.50	17.53	47.50
	6-10 x 8-0	20.73	32.38	92.19	41.27	40.37	20.73	54.17
	8-0 x 8-0	25.21	39.38	92.19	49.67	48.59	25.21	63.50
	5-0 x 8-2	13.98	21.38	94.19	28.71	28.10	13.98	40.32
	6-0 x 8-2	17.91	27.38	94.19	36.08	35.32	17.91	48.49
	6-10 x 8-2	21.18	32.38	94.19	42.22	41.33	21.18	55.30
	8-0 x 8-2	25.75	39.38	94.19	50.82	49.74	25.75	64.82
3-Panel Doors	7-8 x 6-8	10.99	20.92	75.69	34.06	33.15	10.99	49.98
	9-2 x 6-8	14.15	26.92	75.69	42.80	50.81	14.15	59.92
	12-2 x 6-8	20.46	38.92	75.69	60.28	68.30	20.46	79.79
	7-8 x 6-10	11.36	20.92	78.19	35.28	43.58	11.36	51.55
	9-2 x 6-10	14.62	26.92	78.19	44.33	52.63	14.62	61.80
	12-2 x 6-10	21.13	38.92	78.19	62.44	70.74	21.13	82.30
	7-8 x 7-2	11.94	20.92	82.19	37.22	45.98	11.94	54.07
	9-2 x 7-2	15.36	26.92	82.19	46.78	55.54	15.36	64.82
	12-2 x 7-2	22.21	38.92	82.19	65.89	74.65	22.21	86.32
	7-8 x 8-0	13.39	20.92	92.19	42.09	52.00	13.39	60.35
	9-2 x 8-0	17.23	26.92	92.19	52.90	62.80	17.23	72.35
	12-2 x 8-0	24.91	38.92	92.19	74.51	84.41	24.91	96.35
	7-8 x 8-2	13.68	20.92	94.19	43.07	53.20	13.68	61.61
	9-2 x 8-2	17.61	26.92	94.19	54.12	64.26	17.61	73.86
	12-2 x 8-2	25.46	38.92	94.19	76.23	86.36	25.46	98.36
4-Panel Doors ^c	9-10 x 6-8	22.85	43.47	75.69	45.41	56.10	22.85	64.39
	11-10 x 6-8	29.16	55.47	75.69	57.07	67.75	29.16	77.64
	15-10 x 6-8	41.77	79.47	75.69	80.38	91.06	41.77	104.14
	9-10 x 6-10	23.60	43.47	78.19	47.03	58.10	23.60	66.41
	11-10 x 6-10	30.12	55.47	78.19	59.11	70.17	30.12	80.08
	15-10 x 6-10	43.15	79.47	78.19	83.25	94.32	43.15	107.41
	9-10 x 7-2	24.81	43.47	82.19	49.63	61.31	24.81	69.65
	11-10 x 7-2	31.66	55.47	82.19	62.37	74.05	31.66	83.98
	15-10 x 7-2	45.36	79.47	82.19	87.85	99.53	45.36	112.65
	9-10 x 8-0	27.83	43.47	92.19	56.12	69.33	27.83	77.75
	11-10 x 8-0	35.51	55.47	92.19	70.53	83.74	35.51	93.75
	15-10 x 8-0	50.88	79.47	92.19	99.34	112.55	50.88	125.75
	9-10 x 8-2	28.43	43.47	94.19	57.42	70.93	28.43	79.37
	11-10 x 8-2	36.28	55.47	94.19	72.16	85.67	36.28	95.70
	15-10 x 8-2	51.98	79.47	94.19	101.64	115.15	51.98	128.37

^a Sq. Ft. Overall Unit Area is calculated on the jamb dimension.

^b Clear Opening Height dimensions calculated without screen.

^c 4 Panel door width is calculated with both center panels open

SLIDING PATIO DOORS

The Weather Shield Contemporary Collection

SLIDING PICTURE PATIO DOORS (8717)

Opening Specifications

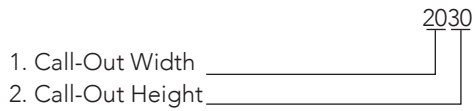
	Call Size	Clear Opening			Sq. Ft. Daylight Opening		Sq. Ft. Vent	Sq. Ft. Overall Unit Area ^a
		Sq. Ft.	Width	Height ^b	3-1/4" Bottom Rail	5-1/8" Bottom Rail		
2-Panel Doors	7-6 x 6-8	11.23	21.38	75.69	37.22	36.22	11.23	49.20
	9-0 x 6-8	14.39	27.38	75.69	45.96	44.73	14.39	59.14
	7-6 x 6-10	11.61	21.38	78.19	38.55	37.55	11.61	50.75
	9-0 x 6-10	14.86	27.38	78.19	53.64	52.25	14.86	61.00
	7-6 x 7-2	12.20	21.38	82.19	40.67	39.68	12.20	53.23
	9-0 x 7-2	15.62	27.38	82.19	56.60	55.21	15.62	63.98
	7-6 x 8-0	13.68	21.38	92.19	45.99	45.00	13.68	59.42
	9-0 x 8-0	17.53	27.38	92.19	64.00	62.61	17.53	71.42
	7-6 x 8-2	13.98	21.38	94.19	47.06	46.06	13.98	60.65
	9-0 x 8-2	17.91	27.38	94.19	65.48	64.10	17.91	72.90
3-Panel Doors	9-9 x 6-8	11.23	21.38	75.69	51.24	49.87	11.23	64.18
	11-9 x 6-8	14.39	27.38	75.69	62.65	60.97	14.39	77.43
	9-9 x 6-10	11.61	21.38	78.19	53.07	51.70	11.61	66.20
	11-9 x 6-10	14.86	27.38	78.19	64.89	63.21	14.86	79.86
	9-9 x 7-2	12.20	21.38	82.19	56.00	54.63	12.20	69.43
	11-9 x 7-2	15.62	27.38	82.19	68.48	66.80	15.62	83.76
	9-9 x 8-0	13.68	21.38	92.19	63.33	61.95	13.68	77.50
	11-9 x 8-0	17.53	27.38	92.19	77.43	75.75	17.53	93.50
	9-9 x 8-2	13.98	21.38	94.19	64.79	63.42	13.98	79.11
	11-9 x 8-2	17.91	27.38	94.19	79.23	77.55	17.91	95.45

Multi-Slide Door Table of Contents

Multi-Slide Door Footnotes	132	Multi-Slide Door Size Charts.....	135
Multi-Slide Door Quick Spec Guide.....	133	Multi-Slide Door Cross Sections.....	144
Multi-Slide Door Panel Configurations.....	134	Multi-Slide Door Opening Specifications	182

Size Codes:

The Weather Shield size code uses meaningful characters to denote standard sizes. For example:



The Weather Shield Contemporary Collection

MULTI-SLIDE DOORS (8720/8722)

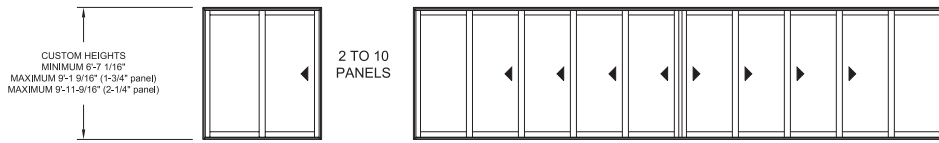
Quick Spec Guide

SPECIFICATION	STANDARD FEATURES	OPTIONAL FEATURES
EXTERIOR FINISH	<ul style="list-style-type: none"> White Cameo Tan Desert Tan Heritage Brown Adobe 	<ul style="list-style-type: none"> Craftsman Bronze Brick Red Hartford Green Gray Matters Obsidian Jet Black
PANEL THICKNESS	<ul style="list-style-type: none"> 1-3/4" (8720) 	<ul style="list-style-type: none"> 2-1/4" (8722)
INTERIOR FINISH	<ul style="list-style-type: none"> Natural 	<ul style="list-style-type: none"> Stained & Sealed – 5 Standard / 10 Designer Primed Prefinished White & Black Poly – 12 Standard / 45 Designer
INTERIOR SPECIES	<ul style="list-style-type: none"> Pine 	<ul style="list-style-type: none"> Oak Maple Alder (Character) Cherry Mahogany Douglas Fir
SIZE	<ul style="list-style-type: none"> Width Call Out Panel Width 3-0, 4-0, 5-0 Height Call Out Panel Height 6-8, 6-10, 7-2, 8-0, 8-2, 9-0, 9-2 	<ul style="list-style-type: none"> Two Panel Doors: Any jamb width: 55-3/16" to 117-3/16" Three Panel Doors: Any jamb width: 79-5/16" to 172-5/16" Four Panel Doors: Any jamb width: 103-1/2" to 227-1/2" Five Panel Doors: Any jamb width: 127-5/8" to 282-5/8" Six Panel Doors: Any jamb width: 157-3/8" to 343-3/8" Eight Panel Doors: Any jamb width: 205-11/16" to 453-11/16" Ten Panel Doors: Any jamb width: 254" to 564" Multi-Slide Doors (1-3/4" panel): Any jamb height: 79-1/8" to 109-9/16" Multi-Slide Doors (2-1/4" panel): Any jamb height: 79-1/8" to 119-9/16"
GLAZING	<ul style="list-style-type: none"> Low-E Insulating Glass Tempered Glass 	<ul style="list-style-type: none"> Clear IG Low-E 240 Zo-e-shield 5 Zo-e-shield Extreme Zo-e Shield 6 (laminated) Grey or Bronze Tint Obscure
RAILS	<ul style="list-style-type: none"> 3-1/4" Bottom Rail 	<ul style="list-style-type: none"> 5-1/8" Bottom Rail
GRILLES		<ul style="list-style-type: none"> GBG: 5/8" Flat or 11/16" Sculptured SDL: 5/8", 7/8", 1-1/8", 2"
HARDWARE	<ul style="list-style-type: none"> 2 point lock Flush Handle set Keyed Random locks Standard rollers 	<ul style="list-style-type: none"> Automated operator
HARDWARE COLOR	<ul style="list-style-type: none"> Oil Rubbed Bronze PVD 	<ul style="list-style-type: none"> Satin Nickel PVD Black
SILL	<ul style="list-style-type: none"> Standard 	<ul style="list-style-type: none"> 1-1/2" Sill Riser
SCREEN	<ul style="list-style-type: none"> No screen 	<ul style="list-style-type: none"> Retractable screen Retractable Shade Retractable Screen & Shade
SCREEN COLOR	<ul style="list-style-type: none"> Bronze 	<ul style="list-style-type: none"> White Clear Anodized Wood Wrapped

The Weather Shield Contemporary Collection

MULTI-SLIDE DOORS (8720/8722)

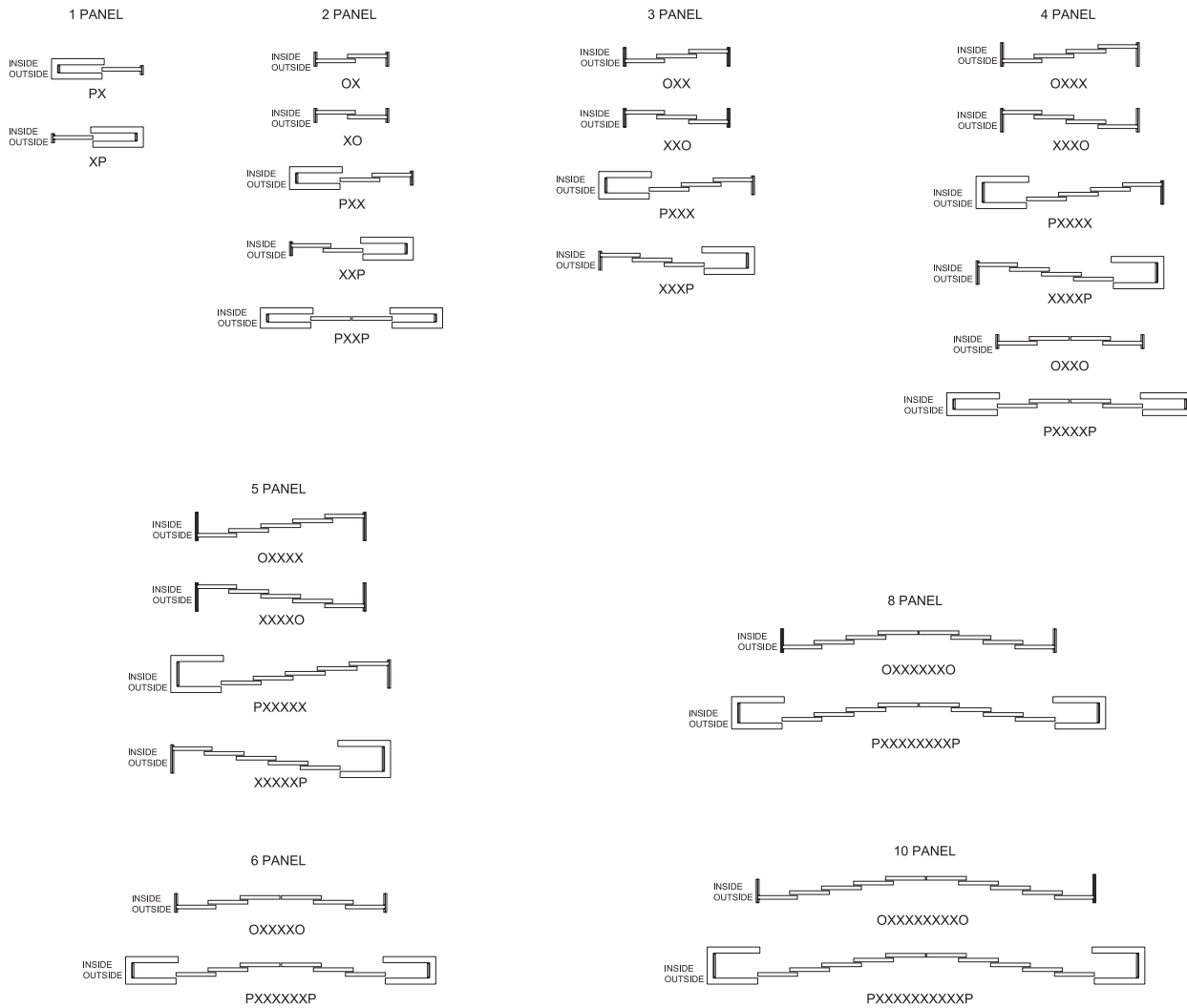
Panel Configurations



CUSTOM WIDTHS		
NUMBER OF PANELS	MINIMUM JAMB WIDTH	MAXIMUM JAMB WIDTH
2	4'-7 3/16"	9'-9 3/16"
3	6'-7 5/16"	14'-4 5/16"
4	8'-7 1/2"	18'-11 1/2"
5	10'-7 5/8"	23'-6 5/8"
6	13'-1 3/8"	28'-7 3/8"
8	17'-1 11/16"	37'-9 11/16"
10	21'-2"	47'-0"

Sizes are for non-pocket doors

PANEL CONFIGURATIONS

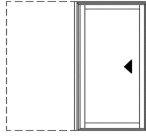


MULTI-SLIDE DOORS

The Weather Shield Contemporary Collection

1-PANEL MULTI-SLIDE DOORS (8720/8722)

Size Charts

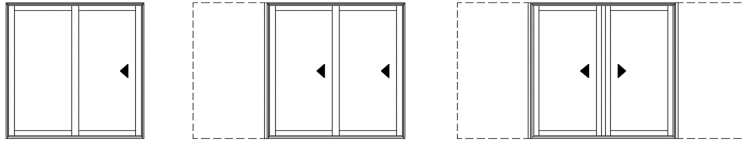


Contemporary Collection Multi-Slide doors - 1-3/4" Panel (8720) - 2-1/4" Panel (8722)																
Call-out size		Jamb Dimension			Exterior Exposed Jamb Width	Exterior Pocket Width	Rough Opening			Metric R.O. (mm)			Glass Size			
Width	x Height	Width	x	Height			Width	x	Height	Width	x	Height	Width	x	Height	
1 Panel Doors - 1 Pocket	3-0	x 6-8	75 15/16	x	79 1/16	37 15/16	37	76 15/16	x	79 9/16	1954	x	2021	30 1/2	x	70 15/16
	4-0	x 6-8	99 15/16	x	79 1/16	49 15/16	49	100 15/16	x	79 9/16	2564	x	2021	42 1/2	x	70 15/16
	5-0	x 6-8	123 15/16	x	79 1/16	61 15/16	61	124 15/16	x	79 9/16	3173	x	2021	54 1/2	x	70 15/16
	3-0	x 6-10	75 15/16	x	81 9/16	37 15/16	37	76 15/16	x	82 1/16	1954	x	2084	30 1/2	x	73 7/16
	4-0	x 6-10	99 15/16	x	81 9/16	49 15/16	49	100 15/16	x	82 1/16	2564	x	2084	42 1/2	x	73 7/16
	5-0	x 6-10	123 15/16	x	81 9/16	61 15/16	61	124 15/16	x	82 1/16	3173	x	2084	54 1/2	x	73 7/16
	3-0	x 7-2	75 15/16	x	85 9/16	37 15/16	37	76 15/16	x	86 1/16	1954	x	2186	30 1/2	x	77 7/16
	4-0	x 7-2	99 15/16	x	85 9/16	49 15/16	49	100 15/16	x	86 1/16	2564	x	2186	42 1/2	x	77 7/16
	5-0	x 7-2	123 15/16	x	85 9/16	61 15/16	61	124 15/16	x	86 1/16	3173	x	2186	54 1/2	x	77 7/16
	3-0	x 8-0	75 15/16	x	95 9/16	37 15/16	37	76 15/16	x	96 1/16	1954	x	2440	30 1/2	x	87 7/16
	4-0	x 8-0	99 15/16	x	95 9/16	49 15/16	49	100 15/16	x	96 1/16	2564	x	2440	42 1/2	x	87 7/16
	5-0	x 8-0	123 15/16	x	95 9/16	61 15/16	61	124 15/16	x	96 1/16	3173	x	2440	54 1/2	x	87 7/16
	3-0	x 8-2	75 15/16	x	97 9/16	37 15/16	37	76 15/16	x	98 1/16	1954	x	2491	30 1/2	x	89 7/16
	4-0	x 8-2	99 15/16	x	97 9/16	49 15/16	49	100 15/16	x	98 1/16	2564	x	2491	42 1/2	x	89 7/16
	5-0	x 8-2	123 15/16	x	97 9/16	61 15/16	61	124 15/16	x	98 1/16	3173	x	2491	54 1/2	x	89 7/16
	3-0	x 9-0	75 15/16	x	107 9/16	37 15/16	37	76 15/16	x	108 1/16	1954	x	2745	30 1/2	x	99 7/16
	4-0	x 9-0	99 15/16	x	107 9/16	49 15/16	49	100 15/16	x	108 1/16	2564	x	2745	42 1/2	x	99 7/16
	5-0	x 9-0	123 15/16	x	107 9/16	61 15/16	61	124 15/16	x	108 1/16	3173	x	2745	54 1/2	x	99 7/16
	3-0	x 9-2	75 15/16	x	109 9/16	37 15/16	37	76 15/16	x	110 1/16	1954	x	2796	30 1/2	x	101 7/16
	4-0	x 9-2	99 15/16	x	109 9/16	49 15/16	49	100 15/16	x	110 1/16	2564	x	2796	42 1/2	x	101 7/16
5-0	x 9-2	123 15/16	x	109 9/16	61 15/16	61	124 15/16	x	110 1/16	3173	x	2796	54 1/2	x	101 7/16	

The Weather Shield Contemporary Collection

2-PANEL MULTI-SLIDE DOORS (8720/8722)

Size Charts



Contemporary Collection Multi-Slide doors - 1-3/4" Panel (8720) - 2-1/4" Panel (8722)

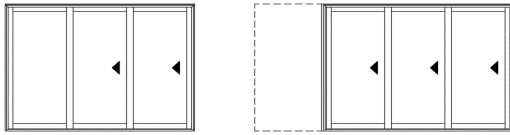
	Call-out size		Jamb Dimension			Exterior Exposed Jamb Width	Exterior Pocket Width	Rough Opening			Metric R.O. (mm)			Glass Size						
	Width	x Height	Width	x	Height			Width	x	Height	Width	x	Height	Width	x	Height				
2 Panel Doors - No Pocket	3-0	x 6-8	71	1/8	x 79	1/16			72	1/8	x 79	9/16	1832	x	2021	30	1/2	x 70	15/16	
	4-0	x 6-8	95	1/8	x 79	1/16			96	1/8	x 79	9/16	2442	x	2021	42	1/2	x 70	15/16	
	5-0	x 6-8	119	1/8	x 79	1/16			120	1/8	x 79	9/16	3051	x	2021	54	1/2	x 70	15/16	
	3-0	x 6-10	71	1/8	x 81	9/16			72	1/8	x 82	1/16	1832	x	2084	30	1/2	x 73	7/16	
	4-0	x 6-10	95	1/8	x 81	9/16			96	1/8	x 82	1/16	2442	x	2084	42	1/2	x 73	7/16	
	5-0	x 6-10	119	1/8	x 81	9/16			120	1/8	x 82	1/16	3051	x	2084	54	1/2	x 73	7/16	
	3-0	x 7-2	71	1/8	x 85	9/16			72	1/8	x 86	1/16	1832	x	2186	30	1/2	x 77	7/16	
	4-0	x 7-2	95	1/8	x 85	9/16			96	1/8	x 86	1/16	2442	x	2186	42	1/2	x 77	7/16	
	5-0	x 7-2	119	1/8	x 85	9/16			120	1/8	x 86	1/16	3051	x	2186	54	1/2	x 77	7/16	
	3-0	x 8-0	71	1/8	x 95	9/16			72	1/8	x 96	1/16	1832	x	2440	30	1/2	x 87	7/16	
	4-0	x 8-0	95	1/8	x 95	9/16			96	1/8	x 96	1/16	2442	x	2440	42	1/2	x 87	7/16	
	5-0	x 8-0	119	1/8	x 95	9/16			120	1/8	x 96	1/16	3051	x	2440	54	1/2	x 87	7/16	
	3-0	x 8-2	71	1/8	x 97	9/16			72	1/8	x 98	1/16	1832	x	2491	30	1/2	x 89	7/16	
	4-0	x 8-2	95	1/8	x 97	9/16			96	1/8	x 98	1/16	2442	x	2491	42	1/2	x 89	7/16	
	5-0	x 8-2	119	1/8	x 97	9/16			120	1/8	x 98	1/16	3051	x	2491	54	1/2	x 89	7/16	
	3-0	x 9-0	71	1/8	x 107	9/16			72	1/8	x 108	1/16	1832	x	2745	30	1/2	x 99	7/16	
	4-0	x 9-0	95	1/8	x 107	9/16			96	1/8	x 108	1/16	2442	x	2745	42	1/2	x 99	7/16	
	5-0	x 9-0	119	1/8	x 107	9/16			120	1/8	x 108	1/16	3051	x	2745	54	1/2	x 99	7/16	
	3-0	x 9-2	71	1/8	x 109	9/16			72	1/8	x 110	1/16	1832	x	2796	30	1/2	x 101	7/16	
	4-0	x 9-2	95	1/8	x 109	9/16			96	1/8	x 110	1/16	2442	x	2796	42	1/2	x 101	7/16	
5-0	x 9-2	119	1/8	x 109	9/16			120	1/8	x 110	1/16	3051	x	2796	54	1/2	x 101	7/16		
2 Panel Doors - 1 Pocket	3-0	x 6-8	109	1/16	x 79	1/16	71	1/16	37	110	1/16	x 79	9/16	2796	x	2021	30	1/2	x 70	15/16
	4-0	x 6-8	145	1/16	x 79	1/16	95	1/16	49	146	1/16	x 79	9/16	3710	x	2021	42	1/2	x 70	15/16
	5-0	x 6-8	181	1/16	x 79	1/16	119	1/16	61	182	1/16	x 79	9/16	4624	x	2021	54	1/2	x 70	15/16
	3-0	x 6-10	109	1/16	x 81	9/16	71	1/16	37	110	1/16	x 82	1/16	2796	x	2084	30	1/2	x 73	7/16
	4-0	x 6-10	145	1/16	x 81	9/16	95	1/16	49	146	1/16	x 82	1/16	3710	x	2084	42	1/2	x 73	7/16
	5-0	x 6-10	181	1/16	x 81	9/16	119	1/16	61	182	1/16	x 82	1/16	4624	x	2084	54	1/2	x 73	7/16
	3-0	x 7-2	109	1/16	x 85	9/16	71	1/16	37	110	1/16	x 86	1/16	2796	x	2186	30	1/2	x 77	7/16
	4-0	x 7-2	145	1/16	x 85	9/16	95	1/16	49	146	1/16	x 86	1/16	3710	x	2186	42	1/2	x 77	7/16
	5-0	x 7-2	181	1/16	x 85	9/16	119	1/16	61	182	1/16	x 86	1/16	4624	x	2186	54	1/2	x 77	7/16
	3-0	x 8-0	109	1/16	x 95	9/16	71	1/16	37	110	1/16	x 96	1/16	2796	x	2440	30	1/2	x 87	7/16
	4-0	x 8-0	145	1/16	x 95	9/16	95	1/16	49	146	1/16	x 96	1/16	3710	x	2440	42	1/2	x 87	7/16
	5-0	x 8-0	181	1/16	x 95	9/16	119	1/16	61	182	1/16	x 96	1/16	4624	x	2440	54	1/2	x 87	7/16
	3-0	x 8-2	109	1/16	x 97	9/16	71	1/16	37	110	1/16	x 98	1/16	2796	x	2491	30	1/2	x 89	7/16
	4-0	x 8-2	145	1/16	x 97	9/16	95	1/16	49	146	1/16	x 98	1/16	3710	x	2491	42	1/2	x 89	7/16
	5-0	x 8-2	181	1/16	x 97	9/16	119	1/16	61	182	1/16	x 98	1/16	4624	x	2491	54	1/2	x 89	7/16
	3-0	x 9-0	109	1/16	x 107	9/16	71	1/16	37	110	1/16	x 108	1/16	2796	x	2745	30	1/2	x 99	7/16
	4-0	x 9-0	145	1/16	x 107	9/16	95	1/16	49	146	1/16	x 108	1/16	3710	x	2745	42	1/2	x 99	7/16
	5-0	x 9-0	181	1/16	x 107	9/16	119	1/16	61	182	1/16	x 108	1/16	4624	x	2745	54	1/2	x 99	7/16
	3-0	x 9-2	109	1/16	x 109	9/16	71	1/16	37	110	1/16	x 110	1/16	2796	x	2796	30	1/2	x 101	7/16
	4-0	x 9-2	145	1/16	x 109	9/16	95	1/16	49	146	1/16	x 110	1/16	3710	x	2796	42	1/2	x 101	7/16
5-0	x 9-2	181	1/16	x 109	9/16	119	1/16	61	182	1/16	x 110	1/16	4624	x	2796	54	1/2	x 101	7/16	
2 Panel Bi-Parting Doors - 2 Pockets	3-0	x 6-8	150	5/8	x 79	1/16	74	5/16	37	151	5/8	x 79	9/16	3851	x	2021	30	1/2	x 70	15/16
	4-0	x 6-8	198	5/8	x 79	1/16	98	5/16	49	199	5/8	x 79	9/16	5070	x	2021	42	1/2	x 70	15/16
	5-0	x 6-8	246	5/8	x 79	1/16	122	5/16	61	247	5/8	x 79	9/16	6290	x	2021	54	1/2	x 70	15/16
	3-0	x 6-10	150	5/8	x 81	9/16	74	5/16	37	151	5/8	x 82	1/16	3851	x	2084	30	1/2	x 73	7/16
	4-0	x 6-10	198	5/8	x 81	9/16	98	5/16	49	199	5/8	x 82	1/16	5070	x	2084	42	1/2	x 73	7/16
	5-0	x 6-10	246	5/8	x 81	9/16	122	5/16	61	247	5/8	x 82	1/16	6290	x	2084	54	1/2	x 73	7/16
	3-0	x 7-2	150	5/8	x 85	9/16	74	5/16	37	151	5/8	x 86	1/16	3851	x	2186	30	1/2	x 77	7/16
	4-0	x 7-2	198	5/8	x 85	9/16	98	5/16	49	199	5/8	x 86	1/16	5070	x	2186	42	1/2	x 77	7/16
	5-0	x 7-2	246	5/8	x 85	9/16	122	5/16	61	247	5/8	x 86	1/16	6290	x	2186	54	1/2	x 77	7/16
	3-0	x 8-0	150	5/8	x 95	9/16	74	5/16	37	151	5/8	x 96	1/16	3851	x	2440	30	1/2	x 87	7/16
	4-0	x 8-0	198	5/8	x 95	9/16	98	5/16	49	199	5/8	x 96	1/16	5070	x	2440	42	1/2	x 87	7/16
	5-0	x 8-0	246	5/8	x 95	9/16	122	5/16	61	247	5/8	x 96	1/16	6290	x	2440	54	1/2	x 87	7/16
	3-0	x 8-2	150	5/8	x 97	9/16	74	5/16	37	151	5/8	x 98	1/16	3851	x	2491	30	1/2	x 89	7/16
	4-0	x 8-2	198	5/8	x 97	9/16	98	5/16	49	199	5/8	x 98	1/16	5070	x	2491	42	1/2	x 89	7/16
	5-0	x 8-2	246	5/8	x 97	9/16	122	5/16	61	247	5/8	x 98	1/16	6290	x	2491	54	1/2	x 89	7/16
	3-0	x 9-0	150	5/8	x 107	9/16	74	5/16	37	151	5/8	x 108	1/16	3851	x	2745	30	1/2	x 99	7/16
	4-0	x 9-0	198	5/8	x 107	9/16	98	5/16	49	199	5/8	x 108	1/16	5070	x	2745	42	1/2	x 99	7/16
	5-0	x 9-0	246	5/8	x 107	9/16	122	5/16	61	247	5/8	x 108	1/16	6290	x	2745	54	1/2	x 99	7/16
	3-0	x 9-2	150	5/8	x 109	9/16	74	5/16	37	151	5/8	x 110	1/16	3851	x	2796	30	1/2	x 101	7/16
	4-0	x 9-2	198	5/8	x 109	9/16	98	5/16	49	199	5/8	x 110	1/16	5070	x	2796	42	1/2	x 101	7/16
5-0	x 9-2	246	5/8	x 109	9/16	122	5/16	61	247	5/8	x 110	1/16	6290	x	2796	54	1/2	x 101	7/16	

MULTI-SLIDE DOORS

The Weather Shield Contemporary Collection

3-PANEL MULTI-SLIDE DOORS (8720/8722)

Size Charts



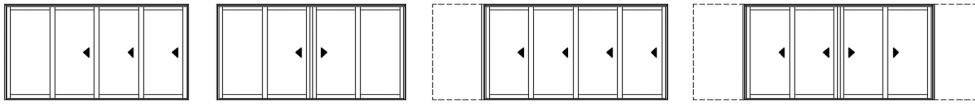
Contemporary Collection Multi-Slide doors - 1-3/4" Panel (8720) - 2-1/4" Panel (8722)																								
Call-out size	Jamb Dimension			Exterior Exposed Jamb Width	Exterior Pocket Width	Rough Opening			Metric R.O. (mm)			Glass Size												
	Width	x	Height			Width	x	Height	Width	x	Height	Width	x	Height										
3 Panel Doors - No Pocket	3-0	x	6-8	104	1/4	x	79	1/16			105	1/4	x	79	9/16	2673	x	2021	30	1/2	x	70	15/16	
	4-0	x	6-8	140	1/4	x	79	1/16			141	1/4	x	79	9/16	3588	x	2021	42	1/2	x	70	15/16	
	5-0	x	6-8	176	1/4	x	79	1/16			177	1/4	x	79	9/16	4502	x	2021	54	1/2	x	70	15/16	
	3-0	x	6-10	104	1/4	x	81	9/16			105	1/4	x	82	1/16	2673	x	2084	30	1/2	x	73	7/16	
	4-0	x	6-10	140	1/4	x	81	9/16			141	1/4	x	82	1/16	3588	x	2084	42	1/2	x	73	7/16	
	5-0	x	6-10	176	1/4	x	81	9/16			177	1/4	x	82	1/16	4502	x	2084	54	1/2	x	73	7/16	
	3-0	x	7-2	104	1/4	x	85	9/16			105	1/4	x	86	1/16	2673	x	2186	30	1/2	x	77	7/16	
	4-0	x	7-2	140	1/4	x	85	9/16			141	1/4	x	86	1/16	3588	x	2186	42	1/2	x	77	7/16	
	5-0	x	7-2	176	1/4	x	85	9/16			177	1/4	x	86	1/16	4502	x	2186	54	1/2	x	77	7/16	
	3-0	x	8-0	104	1/4	x	95	9/16			105	1/4	x	96	1/16	2673	x	2440	30	1/2	x	87	7/16	
	4-0	x	8-0	140	1/4	x	95	9/16			141	1/4	x	96	1/16	3588	x	2440	42	1/2	x	87	7/16	
	5-0	x	8-0	176	1/4	x	95	9/16			177	1/4	x	96	1/16	4502	x	2440	54	1/2	x	87	7/16	
	3-0	x	8-2	104	1/4	x	97	9/16			105	1/4	x	98	1/16	2673	x	2491	30	1/2	x	89	7/16	
	4-0	x	8-2	140	1/4	x	97	9/16			141	1/4	x	98	1/16	3588	x	2491	42	1/2	x	89	7/16	
	5-0	x	8-2	176	1/4	x	97	9/16			177	1/4	x	98	1/16	4502	x	2491	54	1/2	x	89	7/16	
	3-0	x	9-0	104	1/4	x	107	9/16			105	1/4	x	108	1/16	2673	x	2745	30	1/2	x	99	7/16	
	4-0	x	9-0	140	1/4	x	107	9/16			141	1/4	x	108	1/16	3588	x	2745	42	1/2	x	99	7/16	
	5-0	x	9-0	176	1/4	x	107	9/16			177	1/4	x	108	1/16	4502	x	2745	54	1/2	x	99	7/16	
	3-0	x	9-2	104	1/4	x	109	9/16			105	1/4	x	110	1/16	2673	x	2796	30	1/2	x	101	7/16	
	4-0	x	9-2	140	1/4	x	109	9/16			141	1/4	x	110	1/16	3588	x	2796	42	1/2	x	101	7/16	
5-0	x	9-2	176	1/4	x	109	9/16			177	1/4	x	110	1/16	4502	x	2796	54	1/2	x	101	7/16		
3 Panel Doors - 1 Pocket	3-0	x	6-8	142	3/16	x	79	1/16	104	3/16	37	143	3/16	x	79	9/16	3637	x	2021	30	1/2	x	70	15/16
	4-0	x	6-8	190	3/16	x	79	1/16	140	3/16	49	191	3/16	x	79	9/16	4856	x	2021	42	1/2	x	70	15/16
	5-0	x	6-8	238	3/16	x	79	1/16	176	3/16	61	239	3/16	x	79	9/16	6075	x	2021	54	1/2	x	70	15/16
	3-0	x	6-10	142	3/16	x	81	9/16	104	3/16	37	143	3/16	x	82	1/16	3637	x	2084	30	1/2	x	73	7/16
	4-0	x	6-10	190	3/16	x	81	9/16	140	3/16	49	191	3/16	x	82	1/16	4856	x	2084	42	1/2	x	73	7/16
	5-0	x	6-10	238	3/16	x	81	9/16	176	3/16	61	239	3/16	x	82	1/16	6075	x	2084	54	1/2	x	73	7/16
	3-0	x	7-2	142	3/16	x	85	9/16	104	3/16	37	143	3/16	x	86	1/16	3637	x	2186	30	1/2	x	77	7/16
	4-0	x	7-2	190	3/16	x	85	9/16	140	3/16	49	191	3/16	x	86	1/16	4856	x	2186	42	1/2	x	77	7/16
	5-0	x	7-2	238	3/16	x	85	9/16	176	3/16	61	239	3/16	x	86	1/16	6075	x	2186	54	1/2	x	77	7/16
	3-0	x	8-0	142	3/16	x	95	9/16	104	3/16	37	143	3/16	x	96	1/16	3637	x	2440	30	1/2	x	87	7/16
	4-0	x	8-0	190	3/16	x	95	9/16	140	3/16	49	191	3/16	x	96	1/16	4856	x	2440	42	1/2	x	87	7/16
	5-0	x	8-0	238	3/16	x	95	9/16	176	3/16	61	239	3/16	x	96	1/16	6075	x	2440	54	1/2	x	87	7/16
	3-0	x	8-2	142	3/16	x	97	9/16	104	3/16	37	143	3/16	x	98	1/16	3637	x	2491	30	1/2	x	89	7/16
	4-0	x	8-2	190	3/16	x	97	9/16	140	3/16	49	191	3/16	x	98	1/16	4856	x	2491	42	1/2	x	89	7/16
	5-0	x	8-2	238	3/16	x	97	9/16	176	3/16	61	239	3/16	x	98	1/16	6075	x	2491	54	1/2	x	89	7/16
	3-0	x	9-0	142	3/16	x	107	9/16	104	3/16	37	143	3/16	x	108	1/16	3637	x	2745	30	1/2	x	99	7/16
	4-0	x	9-0	190	3/16	x	107	9/16	140	3/16	49	191	3/16	x	108	1/16	4856	x	2745	42	1/2	x	99	7/16
	5-0	x	9-0	238	3/16	x	107	9/16	176	3/16	61	239	3/16	x	108	1/16	6075	x	2745	54	1/2	x	99	7/16
	3-0	x	9-2	142	3/16	x	109	9/16	104	3/16	37	143	3/16	x	110	1/16	3637	x	2796	30	1/2	x	101	7/16
	4-0	x	9-2	190	3/16	x	109	9/16	140	3/16	49	191	3/16	x	110	1/16	4856	x	2796	42	1/2	x	101	7/16
5-0	x	9-2	238	3/16	x	109	9/16	176	3/16	61	239	3/16	x	110	1/16	6075	x	2796	54	1/2	x	101	7/16	

MULTI-SLIDE DOORS

The Weather Shield Contemporary Collection

4-PANEL MULTI-SLIDE DOORS (8720/8722)

Size Charts



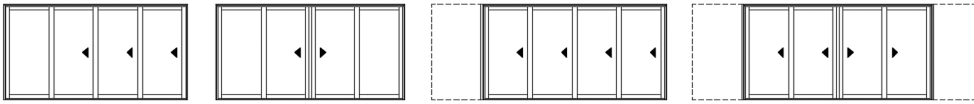
Contemporary Collection Multi-Slide doors - 1-3/4" Panel (8720) - 2-1/4" Panel (8722)																							
Call-out size	Jamb Dimension			Exterior Exposed Jamb Width	Exterior Pocket Width	Rough Opening			Metric R.O. (mm)			Glass Size											
	Width	x	Height			Width	x	Height	Width	x	Height	Width	x	Height									
4 Panel Doors - No Pocket	3-0	x	6-8	137	3/8	x	79	1/16			138	3/8	x	79	9/16	3515	x	2021	30	1/2	x	70	15/16
	4-0	x	6-8	185	3/8	x	79	1/16			186	3/8	x	79	9/16	4734	x	2021	42	1/2	x	70	15/16
	5-0	x	6-8	233	3/8	x	79	1/16			234	3/8	x	79	9/16	5953	x	2021	54	1/2	x	70	15/16
	3-0	x	6-10	137	3/8	x	81	9/16			138	3/8	x	82	1/16	3515	x	2084	30	1/2	x	73	7/16
	4-0	x	6-10	185	3/8	x	81	9/16			186	3/8	x	82	1/16	4734	x	2084	42	1/2	x	73	7/16
	5-0	x	6-10	233	3/8	x	81	9/16			234	3/8	x	82	1/16	5953	x	2084	54	1/2	x	73	7/16
	3-0	x	7-2	137	3/8	x	85	9/16			138	3/8	x	86	1/16	3515	x	2186	30	1/2	x	77	7/16
	4-0	x	7-2	185	3/8	x	85	9/16			186	3/8	x	86	1/16	4734	x	2186	42	1/2	x	77	7/16
	5-0	x	7-2	233	3/8	x	85	9/16			234	3/8	x	86	1/16	5953	x	2186	54	1/2	x	77	7/16
	3-0	x	8-0	137	3/8	x	95	9/16			138	3/8	x	96	1/16	3515	x	2440	30	1/2	x	87	7/16
	4-0	x	8-0	185	3/8	x	95	9/16			186	3/8	x	96	1/16	4734	x	2440	42	1/2	x	87	7/16
	5-0	x	8-0	233	3/8	x	95	9/16			234	3/8	x	96	1/16	5953	x	2440	54	1/2	x	87	7/16
	3-0	x	8-2	137	3/8	x	97	9/16			138	3/8	x	98	1/16	3515	x	2491	30	1/2	x	89	7/16
	4-0	x	8-2	185	3/8	x	97	9/16			186	3/8	x	98	1/16	4734	x	2491	42	1/2	x	89	7/16
	5-0	x	8-2	233	3/8	x	97	9/16			234	3/8	x	98	1/16	5953	x	2491	54	1/2	x	89	7/16
	3-0	x	9-0	137	3/8	x	107	9/16			138	3/8	x	108	1/16	3515	x	2745	30	1/2	x	99	7/16
	4-0	x	9-0	185	3/8	x	107	9/16			186	3/8	x	108	1/16	4734	x	2745	42	1/2	x	99	7/16
	5-0	x	9-0	233	3/8	x	107	9/16			234	3/8	x	108	1/16	5953	x	2745	54	1/2	x	99	7/16
	3-0	x	9-2	137	3/8	x	109	9/16			138	3/8	x	110	1/16	3515	x	2796	30	1/2	x	101	7/16
	4-0	x	9-2	185	3/8	x	109	9/16			186	3/8	x	110	1/16	4734	x	2796	42	1/2	x	101	7/16
5-0	x	9-2	233	3/8	x	109	9/16			234	3/8	x	110	1/16	5953	x	2796	54	1/2	x	101	7/16	
4 Bi-Parting Panel Doors - No Pocket	3-0	x	6-8	141		x	79	1/16			142		x	79	9/16	3607	x	2021	30	1/2	x	70	15/16
	4-0	x	6-8	189		x	79	1/16			190		x	79	9/16	4826	x	2021	42	1/2	x	70	15/16
	5-0	x	6-8	237		x	79	1/16			238		x	79	9/16	6045	x	2021	54	1/2	x	70	15/16
	3-0	x	6-10	141		x	81	9/16			142		x	82	1/16	3607	x	2084	30	1/2	x	73	7/16
	4-0	x	6-10	189		x	81	9/16			190		x	82	1/16	4826	x	2084	42	1/2	x	73	7/16
	5-0	x	6-10	237		x	81	9/16			238		x	82	1/16	6045	x	2084	54	1/2	x	73	7/16
	3-0	x	7-2	141		x	85	9/16			142		x	86	1/16	3607	x	2186	30	1/2	x	77	7/16
	4-0	x	7-2	189		x	85	9/16			190		x	86	1/16	4826	x	2186	42	1/2	x	77	7/16
	5-0	x	7-2	237		x	85	9/16			238		x	86	1/16	6045	x	2186	54	1/2	x	77	7/16
	3-0	x	8-0	141		x	95	9/16			142		x	96	1/16	3607	x	2440	30	1/2	x	87	7/16
	4-0	x	8-0	189		x	95	9/16			190		x	96	1/16	4826	x	2440	42	1/2	x	87	7/16
	5-0	x	8-0	237		x	95	9/16			238		x	96	1/16	6045	x	2440	54	1/2	x	87	7/16
	3-0	x	8-2	141		x	97	9/16			142		x	98	1/16	3607	x	2491	30	1/2	x	89	7/16
	4-0	x	8-2	189		x	97	9/16			190		x	98	1/16	4826	x	2491	42	1/2	x	89	7/16
	5-0	x	8-2	237		x	97	9/16			238		x	98	1/16	6045	x	2491	54	1/2	x	89	7/16
	3-0	x	9-0	141		x	107	9/16			142		x	108	1/16	3607	x	2745	30	1/2	x	99	7/16
	4-0	x	9-0	189		x	107	9/16			190		x	108	1/16	4826	x	2745	42	1/2	x	99	7/16
	5-0	x	9-0	237		x	107	9/16			238		x	108	1/16	6045	x	2745	54	1/2	x	99	7/16
	3-0	x	9-2	141		x	109	9/16			142		x	110	1/16	3607	x	2796	30	1/2	x	101	7/16
	4-0	x	9-2	189		x	109	9/16			190		x	110	1/16	4826	x	2796	42	1/2	x	101	7/16
5-0	x	9-2	237		x	109	9/16			238		x	110	1/16	6045	x	2796	54	1/2	x	101	7/16	

MULTI-SLIDE DOORS

The Weather Shield Contemporary Collection

4-PANEL MULTI-SLIDE DOORS (8720/8722)

Size Charts

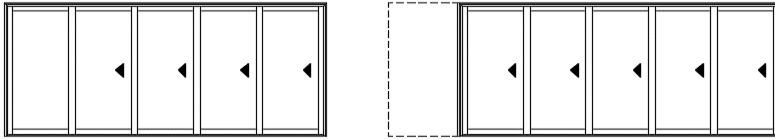


Contemporary Collection Multi-Slide doors - 1-3/4" Panel (8720) - 2-1/4" Panel (8722)																			
	Call-out size		Jamb Dimension			Exterior Exposed Jamb Width	Exterior Pocket Width	Rough Opening			Metric R.O. (mm)			Glass Size					
	Width	x Height	Width	x	Height			Width	x	Height	Width	x	Height	Width	x	Height			
4 Panel Doors - 1 Pocket	3-0	x 6-8	175	5/16	x 79	1/16	137	5/16	37	176	5/16	x 79	9/16	4478	x 2021	30	1/2	x 70	15/16
	4-0	x 6-8	235	5/16	x 79	1/16	185	5/16	49	236	5/16	x 79	9/16	6002	x 2021	42	1/2	x 70	15/16
	3-0	x 6-10	175	5/16	x 81	9/16	137	5/16	37	176	5/16	x 82	1/16	4478	x 2084	30	1/2	x 73	7/16
	4-0	x 6-10	235	5/16	x 81	9/16	185	5/16	49	236	5/16	x 82	1/16	6002	x 2084	42	1/2	x 73	7/16
	3-0	x 7-2	175	5/16	x 85	9/16	137	5/16	37	176	5/16	x 86	1/16	4478	x 2186	30	1/2	x 77	7/16
	4-0	x 7-2	235	5/16	x 85	9/16	185	5/16	49	236	5/16	x 86	1/16	6002	x 2186	42	1/2	x 77	7/16
	3-0	x 8-0	175	5/16	x 95	9/16	137	5/16	37	176	5/16	x 96	1/16	4478	x 2440	30	1/2	x 87	7/16
	4-0	x 8-0	235	5/16	x 95	9/16	185	5/16	49	236	5/16	x 96	1/16	6002	x 2440	42	1/2	x 87	7/16
	3-0	x 8-2	175	5/16	x 97	9/16	137	5/16	37	176	5/16	x 98	1/16	4478	x 2491	30	1/2	x 89	7/16
	4-0	x 8-2	235	5/16	x 97	9/16	185	5/16	49	236	5/16	x 98	1/16	6002	x 2491	42	1/2	x 89	7/16
	3-0	x 9-0	175	5/16	x 107	9/16	137	5/16	37	176	5/16	x 108	1/16	4478	x 2745	30	1/2	x 99	7/16
	4-0	x 9-0	235	5/16	x 107	9/16	185	5/16	49	236	5/16	x 108	1/16	6002	x 2745	42	1/2	x 99	7/16
	3-0	x 9-2	175	5/16	x 109	9/16	137	5/16	37	176	5/16	x 110	1/16	4478	x 2796	30	1/2	x 101	7/16
	4-0	x 9-2	235	5/16	x 109	9/16	185	5/16	49	236	5/16	x 110	1/16	6002	x 2796	42	1/2	x 101	7/16
4 Bi-Parting Panel Doors - 2 Pockets	3-0	x 6-8	216	7/8	x 79	1/16	140	7/8	37	217	7/8	x 79	9/16	5534	x 2021	30	1/2	x 70	15/16
	4-0	x 6-8	288	7/8	x 79	1/16	188	7/8	49	289	7/8	x 79	9/16	7363	x 2021	42	1/2	x 70	15/16
	5-0	x 6-8	360	7/8	x 79	1/16	236	7/8	61	361	7/8	x 79	9/16	9192	x 2021	54	1/2	x 70	15/16
	3-0	x 6-10	216	7/8	x 81	9/16	140	7/8	37	217	7/8	x 82	1/16	5534	x 2084	30	1/2	x 73	7/16
	4-0	x 6-10	288	7/8	x 81	9/16	188	7/8	49	289	7/8	x 82	1/16	7363	x 2084	42	1/2	x 73	7/16
	5-0	x 6-10	360	7/8	x 81	9/16	236	7/8	61	361	7/8	x 82	1/16	9192	x 2084	54	1/2	x 73	7/16
	3-0	x 7-2	216	7/8	x 85	9/16	140	7/8	37	217	7/8	x 86	1/16	5534	x 2186	30	1/2	x 77	7/16
	4-0	x 7-2	288	7/8	x 85	9/16	188	7/8	49	289	7/8	x 86	1/16	7363	x 2186	42	1/2	x 77	7/16
	5-0	x 7-2	360	7/8	x 85	9/16	236	7/8	61	361	7/8	x 86	1/16	9192	x 2186	54	1/2	x 77	7/16
	3-0	x 8-0	216	7/8	x 95	9/16	140	7/8	37	217	7/8	x 96	1/16	5534	x 2440	30	1/2	x 87	7/16
	4-0	x 8-0	288	7/8	x 95	9/16	188	7/8	49	289	7/8	x 96	1/16	7363	x 2440	42	1/2	x 87	7/16
	5-0	x 8-0	360	7/8	x 95	9/16	236	7/8	61	361	7/8	x 96	1/16	9192	x 2440	54	1/2	x 87	7/16
	3-0	x 8-2	216	7/8	x 97	9/16	140	7/8	37	217	7/8	x 98	1/16	5534	x 2491	30	1/2	x 89	7/16
	4-0	x 8-2	288	7/8	x 97	9/16	188	7/8	49	289	7/8	x 98	1/16	7363	x 2491	42	1/2	x 89	7/16
	5-0	x 8-2	360	7/8	x 97	9/16	236	7/8	61	361	7/8	x 98	1/16	9192	x 2491	54	1/2	x 89	7/16
	3-0	x 9-0	216	7/8	x 107	9/16	140	7/8	37	217	7/8	x 108	1/16	5534	x 2745	30	1/2	x 99	7/16
	4-0	x 9-0	288	7/8	x 107	9/16	188	7/8	49	289	7/8	x 108	1/16	7363	x 2745	42	1/2	x 99	7/16
	5-0	x 9-0	360	7/8	x 107	9/16	236	7/8	61	361	7/8	x 108	1/16	9192	x 2745	54	1/2	x 99	7/16
	3-0	x 9-2	216	7/8	x 109	9/16	140	7/8	37	217	7/8	x 110	1/16	5534	x 2796	30	1/2	x 101	7/16
	4-0	x 9-2	288	7/8	x 109	9/16	188	7/8	49	289	7/8	x 110	1/16	7363	x 2796	42	1/2	x 101	7/16
5-0	x 9-2	360	7/8	x 109	9/16	236	7/8	61	361	7/8	x 110	1/16	9192	x 2796	54	1/2	x 101	7/16	

The Weather Shield Contemporary Collection

5-PANEL MULTI-SLIDE DOORS (8720/8722)

Size Charts



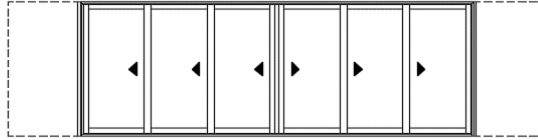
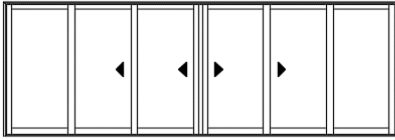
Contemporary Collection Multi-Slide doors - 1-3/4" Panel (8720) - 2-1/4" Panel (8722)																								
Call-out size	Jamb Dimension			Exterior Exposed Jamb Width	Exterior Pocket Width	Rough Opening			Metric R.O. (mm)			Glass Size												
	Width	x	Height			Width	x	Height	Width	x	Height	Width	x	Height										
5 Panel Doors - No Pocket	3-0	x	6-8	170	1/2	x	79	1/16			171	1/2	x	79	9/16	4356	x	2021	30	1/2	x	70	15/16	
	4-0	x	6-8	230	1/2	x	79	1/16			231	1/2	x	79	9/16	5880	x	2021	42	1/2	x	70	15/16	
	3-0	x	6-10	170	1/2	x	81	9/16			171	1/2	x	82	1/16	4356	x	2084	30	1/2	x	73	7/16	
	4-0	x	6-10	230	1/2	x	81	9/16			231	1/2	x	82	1/16	5880	x	2084	42	1/2	x	73	7/16	
	3-0	x	7-2	170	1/2	x	85	9/16			171	1/2	x	86	1/16	4356	x	2186	30	1/2	x	77	7/16	
	4-0	x	7-2	230	1/2	x	85	9/16			231	1/2	x	86	1/16	5880	x	2186	42	1/2	x	77	7/16	
	3-0	x	8-0	170	1/2	x	95	9/16			171	1/2	x	96	1/16	4356	x	2440	30	1/2	x	87	7/16	
	4-0	x	8-0	230	1/2	x	95	9/16			231	1/2	x	96	1/16	5880	x	2440	42	1/2	x	87	7/16	
	3-0	x	8-2	170	1/2	x	97	9/16			171	1/2	x	98	1/16	4356	x	2491	30	1/2	x	89	7/16	
	4-0	x	8-2	230	1/2	x	97	9/16			231	1/2	x	98	1/16	5880	x	2491	42	1/2	x	89	7/16	
	3-0	x	9-0	170	1/2	x	107	9/16			171	1/2	x	108	1/16	4356	x	2745	30	1/2	x	99	7/16	
	4-0	x	9-0	230	1/2	x	107	9/16			231	1/2	x	108	1/16	5880	x	2745	42	1/2	x	99	7/16	
	3-0	x	9-2	170	1/2	x	109	9/16			171	1/2	x	110	1/16	4356	x	2796	30	1/2	x	101	7/16	
	4-0	x	9-2	230	1/2	x	109	9/16			231	1/2	x	110	1/16	5880	x	2796	42	1/2	x	101	7/16	
5 Panel Doors - 1 Pocket	3-0	x	6-8	208	7/16	x	79	1/16	170	7/16	37	209	7/16	x	79	9/16	5320	x	2021	30	1/2	x	70	15/16
	4-0	x	6-8	280	7/16	x	79	1/16	230	7/16	49	281	7/16	x	79	9/16	7149	x	2021	42	1/2	x	70	15/16
	3-0	x	6-10	208	7/16	x	81	9/16	170	7/16	37	209	7/16	x	82	1/16	5320	x	2084	30	1/2	x	73	7/16
	4-0	x	6-10	280	7/16	x	81	9/16	230	7/16	49	281	7/16	x	82	1/16	7149	x	2084	42	1/2	x	73	7/16
	3-0	x	7-2	208	7/16	x	85	9/16	170	7/16	37	209	7/16	x	86	1/16	5320	x	2186	30	1/2	x	77	7/16
	4-0	x	7-2	280	7/16	x	85	9/16	230	7/16	49	281	7/16	x	86	1/16	7149	x	2186	42	1/2	x	77	7/16
	3-0	x	8-0	208	7/16	x	95	9/16	170	7/16	37	209	7/16	x	96	1/16	5320	x	2440	30	1/2	x	87	7/16
	4-0	x	8-0	280	7/16	x	95	9/16	230	7/16	49	281	7/16	x	96	1/16	7149	x	2440	42	1/2	x	87	7/16
	3-0	x	8-2	208	7/16	x	97	9/16	170	7/16	37	209	7/16	x	98	1/16	5320	x	2491	30	1/2	x	89	7/16
	4-0	x	8-2	280	7/16	x	97	9/16	230	7/16	49	281	7/16	x	98	1/16	7149	x	2491	42	1/2	x	89	7/16
	3-0	x	9-0	208	7/16	x	107	9/16	170	7/16	37	209	7/16	x	108	1/16	5320	x	2745	30	1/2	x	99	7/16
	4-0	x	9-0	280	7/16	x	107	9/16	230	7/16	49	281	7/16	x	108	1/16	7149	x	2745	42	1/2	x	99	7/16
	3-0	x	9-2	208	7/16	x	109	9/16	170	7/16	37	209	7/16	x	110	1/16	5320	x	2796	30	1/2	x	101	7/16
	4-0	x	9-2	280	7/16	x	109	9/16	230	7/16	49	281	7/16	x	110	1/16	7149	x	2796	42	1/2	x	101	7/16

MULTI-SLIDE DOORS

The Weather Shield Contemporary Collection

6-PANEL MULTI-SLIDE DOORS (8720/8722)

Size Charts



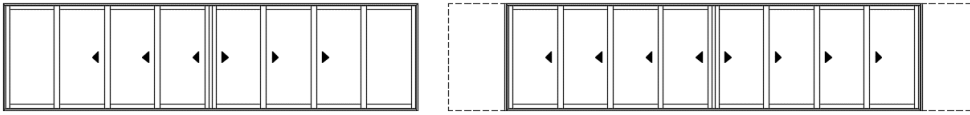
Contemporary Collection Multi-Slide doors - 1-3/4" Panel (8720) - 2-1/4" Panel (8722)																								
Call-out size	Jamb Dimension			Exterior Exposed Jamb Width	Exterior Pocket Width	Rough Opening			Metric R.O. (mm)			Glass Size												
	Width	x	Height			Width	x	Height	Width	x	Height	Width	x	Height										
6 Bi-Parting Panel Doors - No Pocket	3-0	x	6-8	207	1/4	x	79	1/16			208	1/4	x	79	9/16	5290	x	2021	30	1/2	x	70	15/16	
	4-0	x	6-8	279	1/4	x	79	1/16			280	1/4	x	79	9/16	7118	x	2021	42	1/2	x	70	15/16	
	5-0	x	6-8	351	1/4	x	79	1/16			352	1/4	x	79	9/16	8947	x	2021	54	1/2	x	70	15/16	
	3-0	x	6-10	207	1/4	x	81	9/16			208	1/4	x	82	1/16	5290	x	2084	30	1/2	x	73	7/16	
	4-0	x	6-10	279	1/4	x	81	9/16			280	1/4	x	82	1/16	7118	x	2084	42	1/2	x	73	7/16	
	5-0	x	6-10	351	1/4	x	81	9/16			352	1/4	x	82	1/16	8947	x	2084	54	1/2	x	73	7/16	
	3-0	x	7-2	207	1/4	x	85	9/16			208	1/4	x	86	1/16	5290	x	2186	30	1/2	x	77	7/16	
	4-0	x	7-2	279	1/4	x	85	9/16			280	1/4	x	86	1/16	7118	x	2186	42	1/2	x	77	7/16	
	5-0	x	7-2	351	1/4	x	85	9/16			352	1/4	x	86	1/16	8947	x	2186	54	1/2	x	77	7/16	
	3-0	x	8-0	207	1/4	x	95	9/16			208	1/4	x	96	1/16	5290	x	2440	30	1/2	x	87	7/16	
	4-0	x	8-0	279	1/4	x	95	9/16			280	1/4	x	96	1/16	7118	x	2440	42	1/2	x	87	7/16	
	5-0	x	8-0	351	1/4	x	95	9/16			352	1/4	x	96	1/16	8947	x	2440	54	1/2	x	87	7/16	
	3-0	x	8-2	207	1/4	x	97	9/16			208	1/4	x	98	1/16	5290	x	2491	30	1/2	x	89	7/16	
	4-0	x	8-2	279	1/4	x	97	9/16			280	1/4	x	98	1/16	7118	x	2491	42	1/2	x	89	7/16	
	5-0	x	8-2	351	1/4	x	97	9/16			352	1/4	x	98	1/16	8947	x	2491	54	1/2	x	89	7/16	
	3-0	x	9-0	207	1/4	x	107	9/16			208	1/4	x	108	1/16	5290	x	2745	30	1/2	x	99	7/16	
	4-0	x	9-0	279	1/4	x	107	9/16			280	1/4	x	108	1/16	7118	x	2745	42	1/2	x	99	7/16	
	5-0	x	9-0	351	1/4	x	107	9/16			352	1/4	x	108	1/16	8947	x	2745	54	1/2	x	99	7/16	
	3-0	x	9-2	207	1/4	x	109	9/16			208	1/4	x	110	1/16	5290	x	2796	30	1/2	x	101	7/16	
	4-0	x	9-2	279	1/4	x	109	9/16			280	1/4	x	110	1/16	7118	x	2796	42	1/2	x	101	7/16	
5-0	x	9-2	351	1/4	x	109	9/16			352	1/4	x	110	1/16	8947	x	2796	54	1/2	x	101	7/16		
6 Bi-Parting Panel Doors - 2 Pockets	3-0	x	6-8	283	1/8	x	79	1/16	207	1/8	37	284	1/8	x	79	9/16	7217	x	2021	30	1/2	x	70	15/16
	4-0	x	6-8	379	1/8	x	79	1/16	279	1/8	49	380	1/8	x	79	9/16	9655	x	2021	42	1/2	x	70	15/16
	5-0	x	6-8	475	1/8	x	79	1/16	351	1/8	61	476	1/8	x	79	9/16	12094	x	2021	54	1/2	x	70	15/16
	3-0	x	6-10	283	1/8	x	81	9/16	207	1/8	37	284	1/8	x	82	1/16	7217	x	2084	30	1/2	x	73	7/16
	4-0	x	6-10	379	1/8	x	81	9/16	279	1/8	49	380	1/8	x	82	1/16	9655	x	2084	42	1/2	x	73	7/16
	5-0	x	6-10	475	1/8	x	81	9/16	351	1/8	61	476	1/8	x	82	1/16	12094	x	2084	54	1/2	x	73	7/16
	3-0	x	7-2	283	1/8	x	85	9/16	207	1/8	37	284	1/8	x	86	1/16	7217	x	2186	30	1/2	x	77	7/16
	4-0	x	7-2	379	1/8	x	85	9/16	279	1/8	49	380	1/8	x	86	1/16	9655	x	2186	42	1/2	x	77	7/16
	5-0	x	7-2	475	1/8	x	85	9/16	351	1/8	61	476	1/8	x	86	1/16	12094	x	2186	54	1/2	x	77	7/16
	3-0	x	8-0	283	1/8	x	95	9/16	207	1/8	37	284	1/8	x	96	1/16	7217	x	2440	30	1/2	x	87	7/16
	4-0	x	8-0	379	1/8	x	95	9/16	279	1/8	49	380	1/8	x	96	1/16	9655	x	2440	42	1/2	x	87	7/16
	5-0	x	8-0	475	1/8	x	95	9/16	351	1/8	61	476	1/8	x	96	1/16	12094	x	2440	54	1/2	x	87	7/16
	3-0	x	8-2	283	1/8	x	97	9/16	207	1/8	37	284	1/8	x	98	1/16	7217	x	2491	30	1/2	x	89	7/16
	4-0	x	8-2	379	1/8	x	97	9/16	279	1/8	49	380	1/8	x	98	1/16	9655	x	2491	42	1/2	x	89	7/16
	5-0	x	8-2	475	1/8	x	97	9/16	351	1/8	61	476	1/8	x	98	1/16	12094	x	2491	54	1/2	x	89	7/16
	3-0	x	9-0	283	1/8	x	107	9/16	207	1/8	37	284	1/8	x	108	1/16	7217	x	2745	30	1/2	x	99	7/16
	4-0	x	9-0	379	1/8	x	107	9/16	279	1/8	49	380	1/8	x	108	1/16	9655	x	2745	42	1/2	x	99	7/16
	5-0	x	9-0	475	1/8	x	107	9/16	351	1/8	61	476	1/8	x	108	1/16	12094	x	2745	54	1/2	x	99	7/16
	3-0	x	9-2	283	1/8	x	109	9/16	207	1/8	37	284	1/8	x	110	1/16	7217	x	2796	30	1/2	x	101	7/16
	4-0	x	9-2	379	1/8	x	109	9/16	279	1/8	49	380	1/8	x	110	1/16	9655	x	2796	42	1/2	x	101	7/16
5-0	x	9-2	475	1/8	x	109	9/16	351	1/8	61	476	1/8	x	110	1/16	12094	x	2796	54	1/2	x	101	7/16	

MULTI-SLIDE DOORS

The Weather Shield Contemporary Collection

8-PANEL MULTI-SLIDE DOORS (8720/8722)

Size Charts



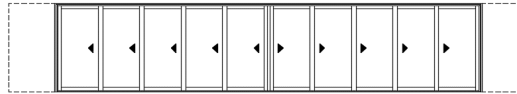
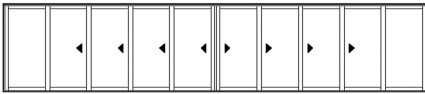
Contemporary Collection Multi-Slide doors - 1-3/4" Panel (8720) - 2-1/4" Panel (8722)																								
Call-out size	Jamb Dimension				Exterior Exposed Jamb Width	Exterior Pocket Width	Rough Opening			Metric R.O. (mm)			Glass Size											
	Width	x	Height	Width			x	Height	Width	x	Height	Width	x	Height	Width	x	Height							
8 Bi-Parting Panel Doors - No Pocket	3-0	x	6-8	273	1/2	x	79	1/16			274	1/2	x	79	9/16	6972	x	2021	30	1/2	x	70	15/16	
	4-0	x	6-8	369	1/2	x	79	1/16			370	1/2	x	79	9/16	9411	x	2021	42	1/2	x	70	15/16	
	5-0	x	6-8	465	1/2	x	79	1/16			466	1/2	x	79	9/16	11849	x	2021	54	1/2	x	70	15/16	
	3-0	x	6-10	273	1/2	x	81	9/16			274	1/2	x	82	1/16	6972	x	2084	30	1/2	x	73	7/16	
	4-0	x	6-10	369	1/2	x	81	9/16			370	1/2	x	82	1/16	9411	x	2084	42	1/2	x	73	7/16	
	5-0	x	6-10	465	1/2	x	81	9/16			466	1/2	x	82	1/16	11849	x	2084	54	1/2	x	73	7/16	
	3-0	x	7-2	273	1/2	x	85	9/16			274	1/2	x	86	1/16	6972	x	2186	30	1/2	x	77	7/16	
	4-0	x	7-2	369	1/2	x	85	9/16			370	1/2	x	86	1/16	9411	x	2186	42	1/2	x	77	7/16	
	5-0	x	7-2	465	1/2	x	85	9/16			466	1/2	x	86	1/16	11849	x	2186	54	1/2	x	77	7/16	
	3-0	x	8-0	273	1/2	x	95	9/16			274	1/2	x	96	1/16	6972	x	2440	30	1/2	x	87	7/16	
	4-0	x	8-0	369	1/2	x	95	9/16			370	1/2	x	96	1/16	9411	x	2440	42	1/2	x	87	7/16	
	5-0	x	8-0	465	1/2	x	95	9/16			466	1/2	x	96	1/16	11849	x	2440	54	1/2	x	87	7/16	
	3-0	x	8-2	273	1/2	x	97	9/16			274	1/2	x	98	1/16	6972	x	2491	30	1/2	x	89	7/16	
	4-0	x	8-2	369	1/2	x	97	9/16			370	1/2	x	98	1/16	9411	x	2491	42	1/2	x	89	7/16	
	5-0	x	8-2	465	1/2	x	97	9/16			466	1/2	x	98	1/16	11849	x	2491	54	1/2	x	89	7/16	
	3-0	x	9-0	273	1/2	x	107	9/16			274	1/2	x	108	1/16	6972	x	2745	30	1/2	x	99	7/16	
	4-0	x	9-0	369	1/2	x	107	9/16			370	1/2	x	108	1/16	9411	x	2745	42	1/2	x	99	7/16	
	5-0	x	9-0	465	1/2	x	107	9/16			466	1/2	x	108	1/16	11849	x	2745	54	1/2	x	99	7/16	
	3-0	x	9-2	273	1/2	x	109	9/16			274	1/2	x	110	1/16	6972	x	2796	30	1/2	x	101	7/16	
	4-0	x	9-2	369	1/2	x	109	9/16			370	1/2	x	110	1/16	9411	x	2796	42	1/2	x	101	7/16	
5-0	x	9-2	465	1/2	x	109	9/16			466	1/2	x	110	1/16	11849	x	2796	54	1/2	x	101	7/16		
8 Bi-Parting Panel Doors - 2 Pockets	3-0	x	6-8	349	3/8	x	79	1/16	273	3/8	37	350	3/8	x	79	9/16	8900	x	2021	30	1/2	x	70	15/16
	4-0	x	6-8	469	3/8	x	79	1/16	369	3/8	49	470	3/8	x	79	9/16	11948	x	2021	42	1/2	x	70	15/16
	3-0	x	6-10	349	3/8	x	81	9/16	273	3/8	37	350	3/8	x	82	1/16	8900	x	2084	30	1/2	x	73	7/16
	4-0	x	6-10	469	3/8	x	81	9/16	369	3/8	49	470	3/8	x	82	1/16	11948	x	2084	42	1/2	x	73	7/16
	3-0	x	7-2	349	3/8	x	85	9/16	273	3/8	37	350	3/8	x	86	1/16	8900	x	2186	30	1/2	x	77	7/16
	4-0	x	7-2	469	3/8	x	85	9/16	369	3/8	49	470	3/8	x	86	1/16	11948	x	2186	42	1/2	x	77	7/16
	3-0	x	8-0	349	3/8	x	95	9/16	273	3/8	37	350	3/8	x	96	1/16	8900	x	2440	30	1/2	x	87	7/16
	4-0	x	8-0	469	3/8	x	95	9/16	369	3/8	49	470	3/8	x	96	1/16	11948	x	2440	42	1/2	x	87	7/16
	3-0	x	8-2	349	3/8	x	97	9/16	273	3/8	37	350	3/8	x	98	1/16	8900	x	2491	30	1/2	x	89	7/16
	4-0	x	8-2	469	3/8	x	97	9/16	369	3/8	49	470	3/8	x	98	1/16	11948	x	2491	42	1/2	x	89	7/16
	3-0	x	9-0	349	3/8	x	107	9/16	273	3/8	37	350	3/8	x	108	1/16	8900	x	2745	30	1/2	x	99	7/16
	4-0	x	9-0	469	3/8	x	107	9/16	369	3/8	49	470	3/8	x	108	1/16	11948	x	2745	42	1/2	x	99	7/16
3-0	x	9-2	349	3/8	x	109	9/16	273	3/8	37	350	3/8	x	110	1/16	8900	x	2796	30	1/2	x	101	7/16	
4-0	x	9-2	469	3/8	x	109	9/16	369	3/8	49	470	3/8	x	110	1/16	11948	x	2796	42	1/2	x	101	7/16	

MULTI-SLIDE DOORS

The Weather Shield Contemporary Collection

10-PANEL MULTI-SLIDE DOORS (8720/8722)

Size Charts

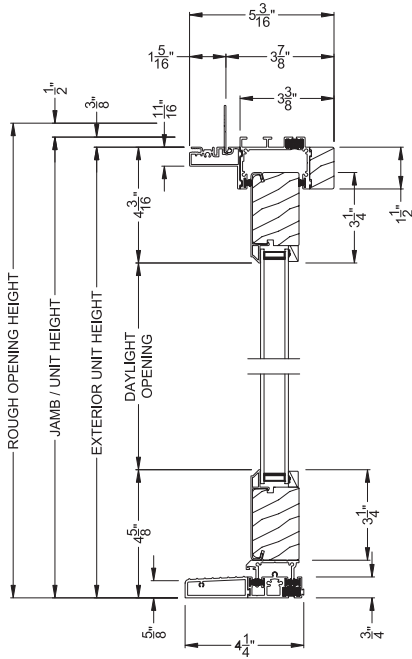


Contemporary Collection Multi-Slide doors - 1-3/4" Panel (8720) - 2-1/4" Panel (8722)																			
	Call-out size		Jamb Dimension			Exterior Exposed Jamb Width	Exterior Pocket Width	Rough Opening			Metric R.O. (mm)			Glass Size					
	Width	x Height	Width	x	Height			Width	x	Height	Width	x	Height	Width	x	Height			
10 Bi-Parting Panel Doors - No Pocket	3-0	x 6-8	339	3/4	x 79	1/16		340	3/4	x 79	9/16	8655	x	2021	30	1/2	x 70	15/16	
	4-0	x 6-8	459	3/4	x 79	1/16		460	3/4	x 79	9/16	11703	x	2021	42	1/2	x 70	15/16	
	3-0	x 6-10	339	3/4	x 81	9/16		340	3/4	x 82	1/16	8655	x	2084	30	1/2	x 73	7/16	
	4-0	x 6-10	459	3/4	x 81	9/16		460	3/4	x 82	1/16	11703	x	2084	42	1/2	x 73	7/16	
	3-0	x 7-2	339	3/4	x 85	9/16		340	3/4	x 86	1/16	8655	x	2186	30	1/2	x 77	7/16	
	4-0	x 7-2	459	3/4	x 85	9/16		460	3/4	x 86	1/16	11703	x	2186	42	1/2	x 77	7/16	
	3-0	x 8-0	339	3/4	x 95	9/16		340	3/4	x 96	1/16	8655	x	2440	30	1/2	x 87	7/16	
	4-0	x 8-0	459	3/4	x 95	9/16		460	3/4	x 96	1/16	11703	x	2440	42	1/2	x 87	7/16	
	3-0	x 8-2	339	3/4	x 97	9/16		340	3/4	x 98	1/16	8655	x	2491	30	1/2	x 89	7/16	
	4-0	x 8-2	459	3/4	x 97	9/16		460	3/4	x 98	1/16	11703	x	2491	42	1/2	x 89	7/16	
	3-0	x 9-0	339	3/4	x 107	9/16		340	3/4	x 108	1/16	8655	x	2745	30	1/2	x 99	7/16	
	4-0	x 9-0	459	3/4	x 107	9/16		460	3/4	x 108	1/16	11703	x	2745	42	1/2	x 99	7/16	
	3-0	x 9-2	339	3/4	x 109	9/16		340	3/4	x 110	1/16	8655	x	2796	30	1/2	x 101	7/16	
	4-0	x 9-2	459	3/4	x 109	9/16		460	3/4	x 110	1/16	11703	x	2796	42	1/2	x 101	7/16	
10 Bi-Parting Panel Doors - 2 Pockets	3-0	x 6-8	415	5/8	x 79	1/16	339 5/8	37	416	5/8	x 79	9/16	10582	x	2021	30	1/2	x 70	15/16
	4-0	x 6-8	559	5/8	x 79	1/16	459 5/8	49	560	5/8	x 79	9/16	14240	x	2021	42	1/2	x 70	15/16
	3-0	x 6-10	415	5/8	x 81	9/16	339 5/8	37	416	5/8	x 82	1/16	10582	x	2084	30	1/2	x 73	7/16
	4-0	x 6-10	559	5/8	x 81	9/16	459 5/8	49	560	5/8	x 82	1/16	14240	x	2084	42	1/2	x 73	7/16
	3-0	x 7-2	415	5/8	x 85	9/16	339 5/8	37	416	5/8	x 86	1/16	10582	x	2186	30	1/2	x 77	7/16
	4-0	x 7-2	559	5/8	x 85	9/16	459 5/8	49	560	5/8	x 86	1/16	14240	x	2186	42	1/2	x 77	7/16
	3-0	x 8-0	415	5/8	x 95	9/16	339 5/8	37	416	5/8	x 96	1/16	10582	x	2440	30	1/2	x 87	7/16
	4-0	x 8-0	559	5/8	x 95	9/16	459 5/8	49	560	5/8	x 96	1/16	14240	x	2440	42	1/2	x 87	7/16
	3-0	x 8-2	415	5/8	x 97	9/16	339 5/8	37	416	5/8	x 98	1/16	10582	x	2491	30	1/2	x 89	7/16
	4-0	x 8-2	559	5/8	x 97	9/16	459 5/8	49	560	5/8	x 98	1/16	14240	x	2491	42	1/2	x 89	7/16
	3-0	x 9-0	415	5/8	x 107	9/16	339 5/8	37	416	5/8	x 108	1/16	10582	x	2745	30	1/2	x 99	7/16
	4-0	x 9-0	559	5/8	x 107	9/16	459 5/8	49	560	5/8	x 108	1/16	14240	x	2745	42	1/2	x 99	7/16
	3-0	x 9-2	415	5/8	x 109	9/16	339 5/8	37	416	5/8	x 110	1/16	10582	x	2796	30	1/2	x 101	7/16
	4-0	x 9-2	559	5/8	x 109	9/16	459 5/8	49	560	5/8	x 110	1/16	14240	x	2796	42	1/2	x 101	7/16

The Weather Shield Contemporary Collection

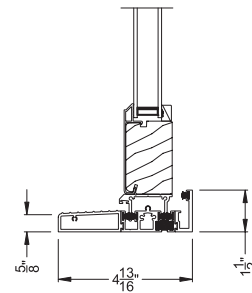
1-PANEL OR BI-PARTING 2-PANEL 1-3/4" MULTI-SLIDE DOORS (8720)

Cross Sections



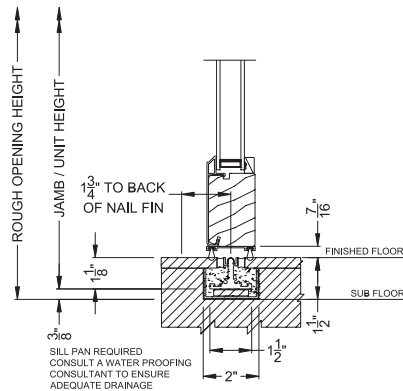
CONTEMPORARY 1-3/4" MULTI-SLIDE PATIO DOOR (8720)

Vertical Section - Flush Sill - 1 or Bi-parting 2 Panel Door



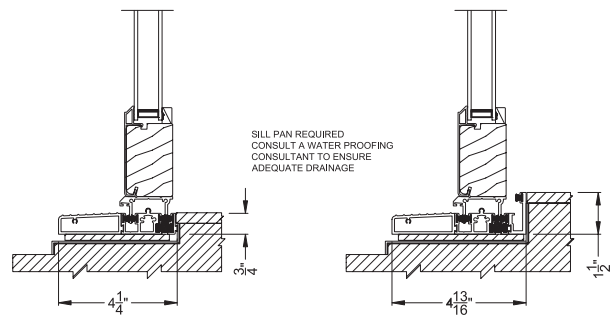
CONTEMPORARY 1-3/4" MULTI-SLIDE PATIO DOOR (8720)

Vertical Section - with Sill Riser - 1 or Bi-parting 2 Panel Door



CONTEMPORARY 1-3/4" MULTI-SLIDE PATIO DOOR (8720)

Vertical Section - with T-track sill - 1 or Bi-parting 2 Panel Door



CONTEMPORARY 1-3/4" MULTI-SLIDE PATIO DOOR (8720)

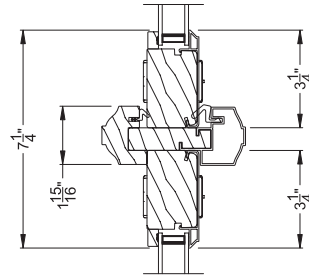
Vertical Section - With sill pan

Note: All dimensions are approximate. Weather Shield reserves the right to change specifications without notice.

The Weather Shield Contemporary Collection

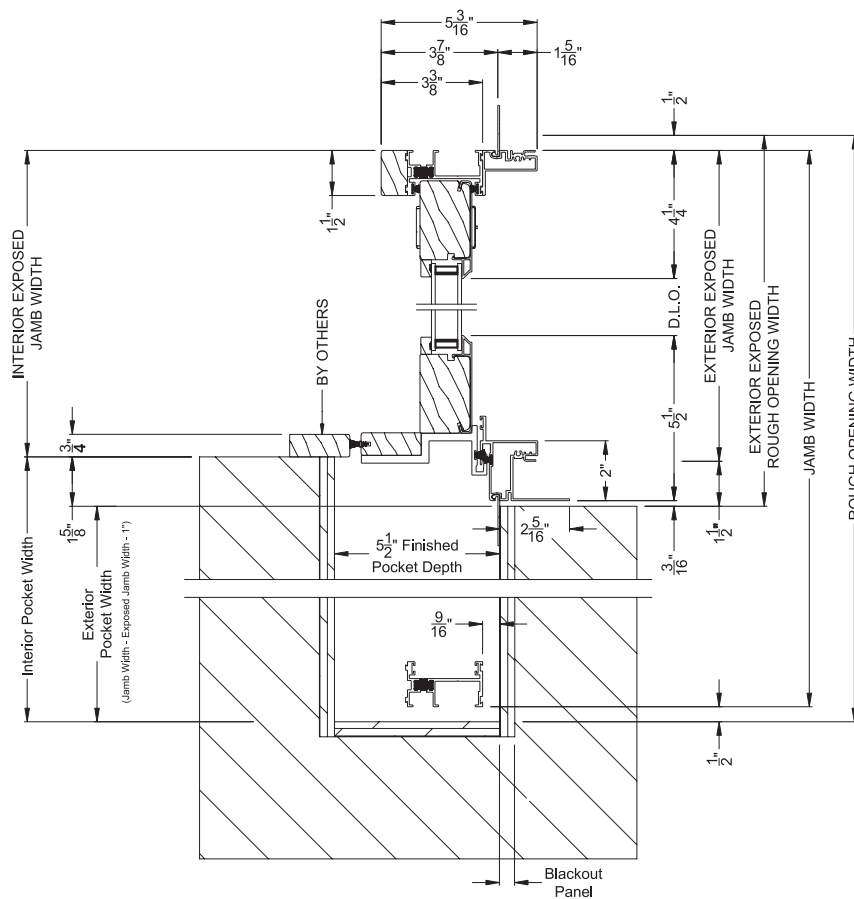
1-PANEL OR BI-PARTING 2-PANEL 1-3/4" MULTI-SLIDE DOORS (8720)

Cross Sections



CONTEMPORARY 1-3/4" MULTI-SLIDE PATIO DOOR (8720)

Horizontal Section - Bi-parting stiles



CONTEMPORARY 1-3/4" MULTI-SLIDE PATIO DOOR (8720)

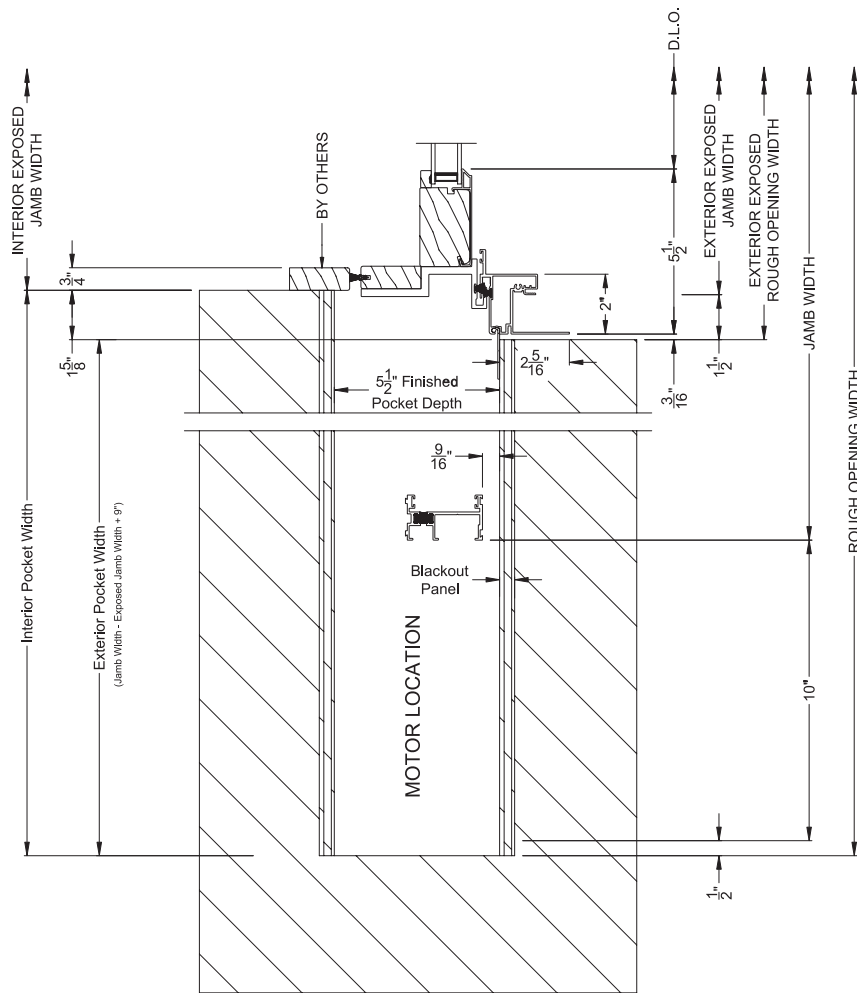
Horizontal Pocket Section - 1 or Bi-parting 2 Panel Door

Note: All dimensions are approximate. Weather Shield reserves the right to change specifications without notice.

The Weather Shield Contemporary Collection

1-PANEL OR BI-PARTING 2-PANEL 1-3/4" MULTI-SLIDE DOORS (8720)

Cross Sections



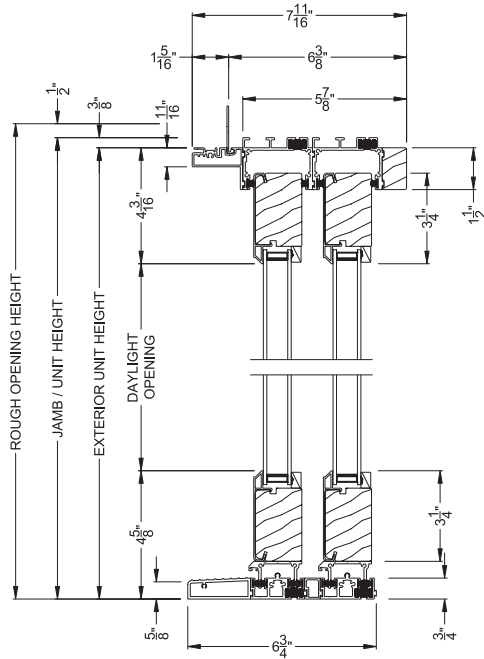
CONTEMPORARY 1-3/4" MULTI-SLIDE PATIO DOOR (8720)
Horizontal Motorized Pocket Section - 1 or Bi-parting 2 Panel Door

Note: All dimensions are approximate. Weather Shield reserves the right to change specifications without notice.

The Weather Shield Contemporary Collection

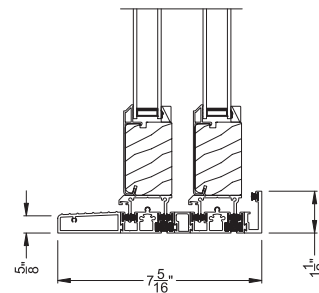
2-PANEL OR BI-PARTING 4-PANEL 1-3/4" MULTI-SLIDE DOORS (8720)

Cross Sections



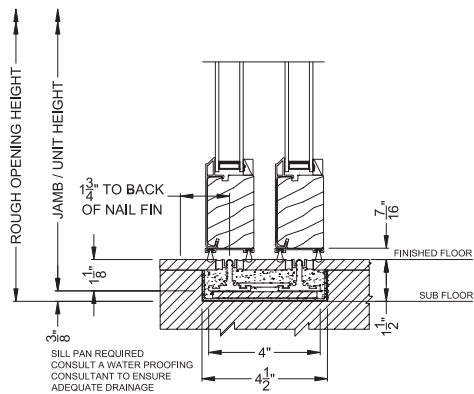
CONTEMPORARY 1-3/4" MULTI-SLIDE PATIO DOOR (8720)

Vertical Section - Flush Sill - 2 or Bi-parting 4 Panel Door



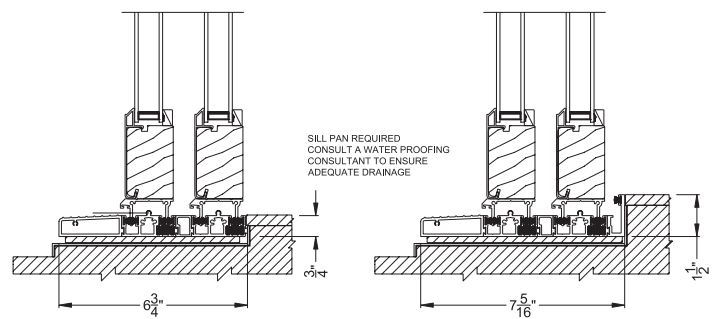
CONTEMPORARY 1-3/4" MULTI-SLIDE PATIO DOOR (8720)

Vertical Section - with Sill Riser - 2 or Bi-parting 4 Panel Door



CONTEMPORARY 1-3/4" MULTI-SLIDE PATIO DOOR (8720)

Vertical Section - with T-track sill - 2 or Bi-parting 4 Panel Door



CONTEMPORARY 1-3/4" MULTI-SLIDE PATIO DOOR (8720)

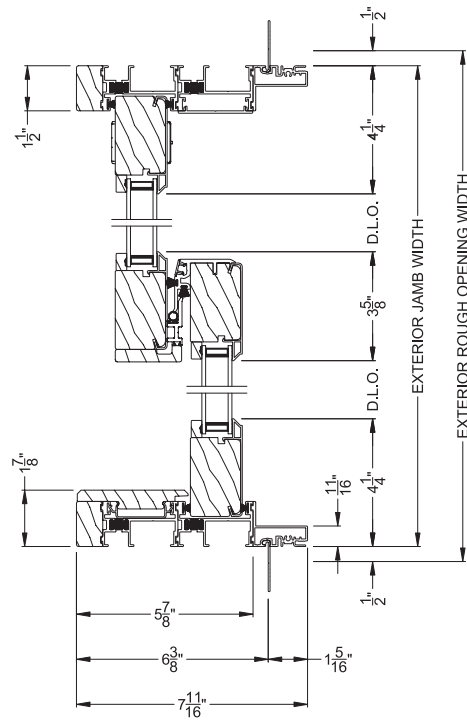
Vertical Section - With sill pan

Note: All dimensions are approximate. Weather Shield reserves the right to change specifications without notice.

The Weather Shield Contemporary Collection

2-PANEL 1-3/4" MULTI-SLIDE DOORS (8720)

Cross Sections



CONTEMPORARY 1-3/4" MULTI-SLIDE PATIO DOOR (8720)

Horizontal Section - 2 Panel Door

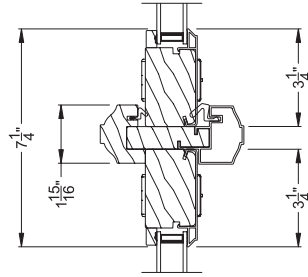
Note: All dimensions are approximate. Weather Shield reserves the right to change specifications without notice.

MULTI-SLIDE DOORS

The Weather Shield Contemporary Collection

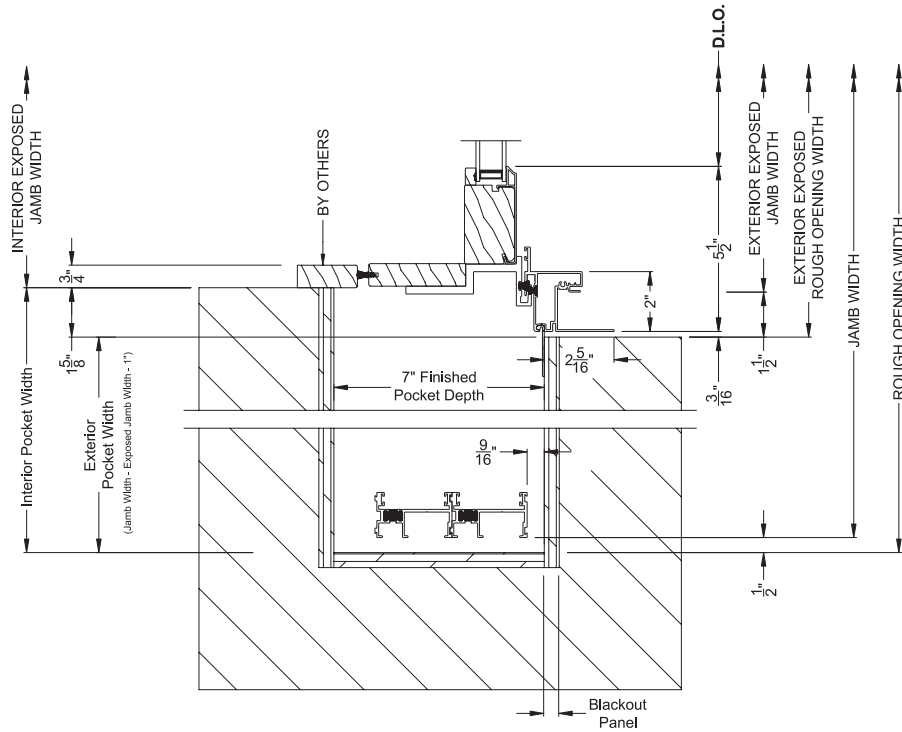
2-PANEL OR BI-PARTING 4-PANEL 1-3/4" MULTI-SLIDE DOORS (8720)

Cross Sections



CONTEMPORARY 1-3/4" MULTI-SLIDE PATIO DOOR (8720)

Horizontal Section - Bi-parting stiles



CONTEMPORARY 1-3/4" MULTI-SLIDE PATIO DOOR (8720)

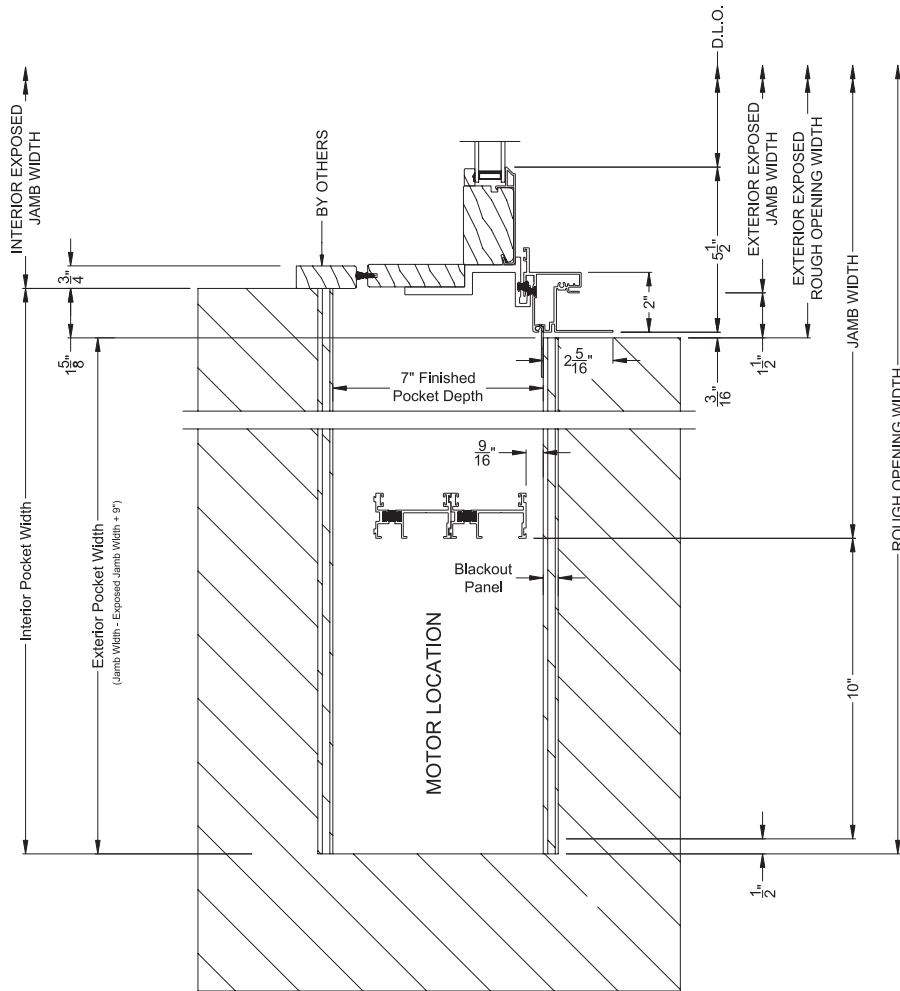
Horizontal Pocket Section - 2 or Bi-parting 4 Panel Door

Note: All dimensions are approximate. Weather Shield reserves the right to change specifications without notice.

The Weather Shield Contemporary Collection

2-PANEL OR BI-PARTING 4-PANEL 1-3/4" MULTI-SLIDE DOORS (8720)

Cross Sections



CONTEMPORARY 1-3/4" MULTI-SLIDE PATIO DOOR (8720)

Horizontal Motorized Pocket Section - 2 or Bi-parting 4 Panel Door

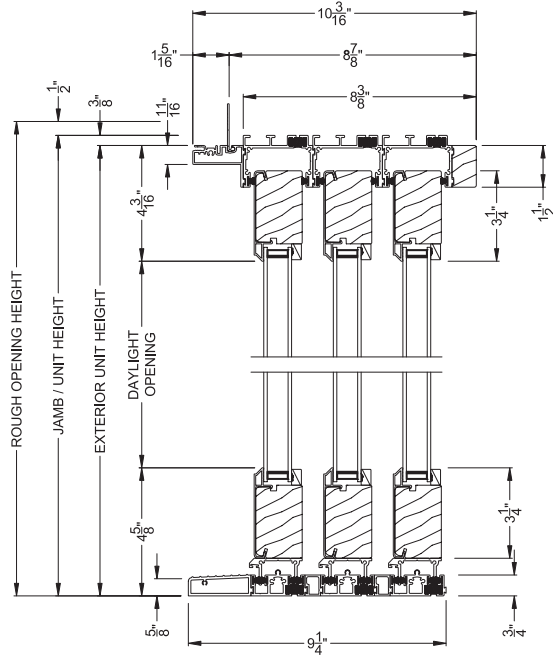
Note: All dimensions are approximate. Weather Shield reserves the right to change specifications without notice.

MULTI-SLIDE DOORS

The Weather Shield Contemporary Collection

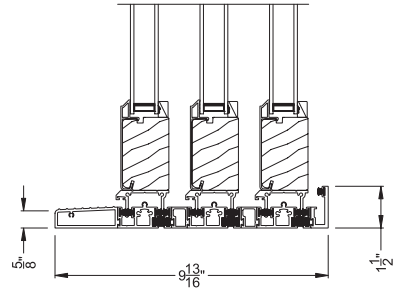
3-PANEL OR BI-PARTING 6-PANEL 1-3/4" MULTI-SLIDE DOORS (8720)

Cross Sections



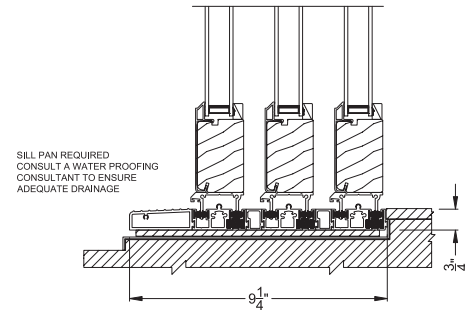
CONTEMPORARY 1-3/4" MULTI-SLIDE PATIO DOOR (8720)

Vertical Section - Flush Sill - 3 or Bi-parting 6 Panel Door



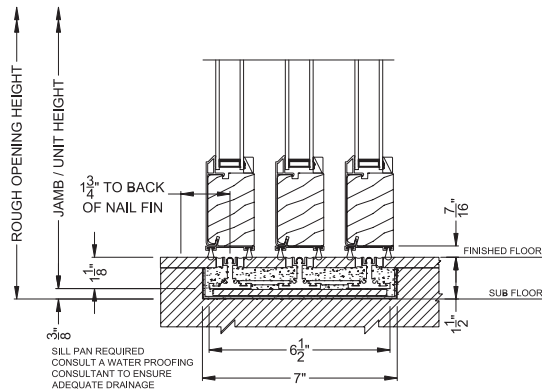
CONTEMPORARY 1-3/4" MULTI-SLIDE PATIO DOOR (8720)

Vertical Section - with Sill Riser - 3 or Bi-parting 6 Panel Door



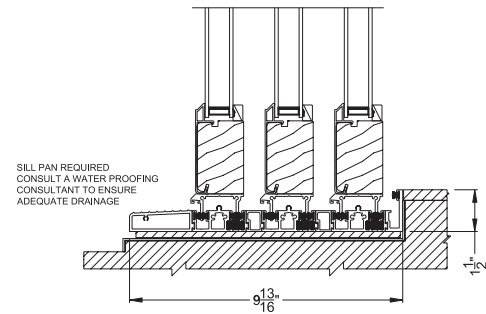
CONTEMPORARY 1-3/4" MULTI-SLIDE PATIO DOOR (8720)

Vertical Section - With sill pan



CONTEMPORARY 1-3/4" MULTI-SLIDE PATIO DOOR (8720)

Vertical Section - with T-track sill - 3 or Bi-parting 6 Panel Door



CONTEMPORARY 1-3/4" MULTI-SLIDE PATIO DOOR (8720)

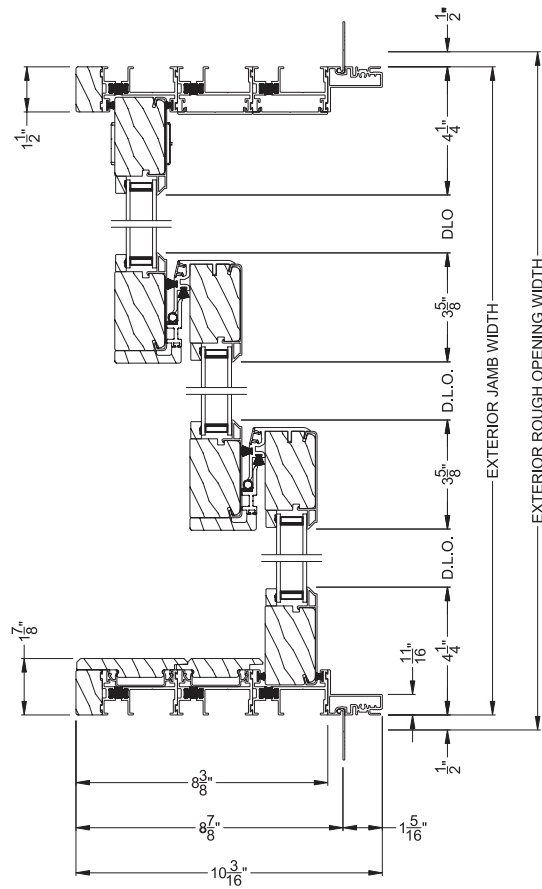
Vertical Section - With sill pan

Note: All dimensions are approximate. Weather Shield reserves the right to change specifications without notice.

The Weather Shield Contemporary Collection

3-PANEL 1-3/4" MULTI-SLIDE DOORS (8720)

Cross Sections



CONTEMPORARY 1-3/4" MULTI-SLIDE PATIO DOOR (8720)
Horizontal Section - 3 Panel Door

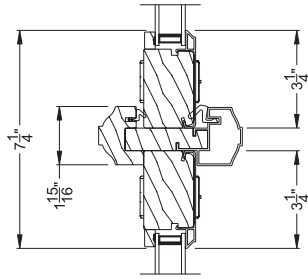
Note: All dimensions are approximate. Weather Shield reserves the right to change specifications without notice.

MULTI-SLIDE DOORS

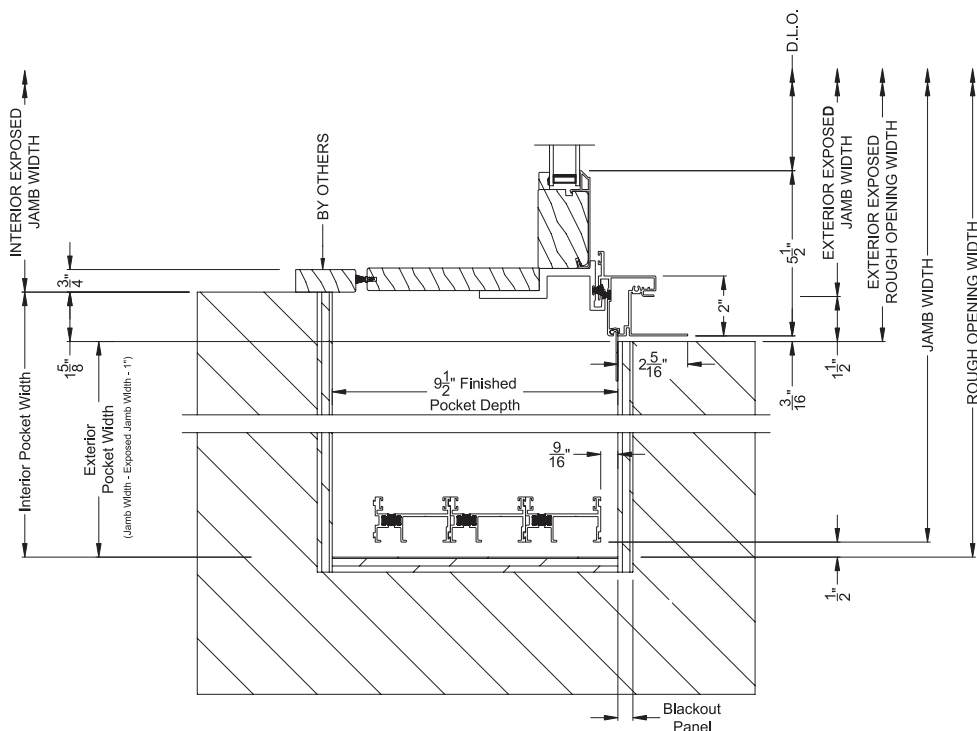
The Weather Shield Contemporary Collection

3-PANEL OR BI-PARTING 6-PANEL 1-3/4" MULTI-SLIDE DOORS (8720)

Cross Sections



CONTEMPORARY 1-3/4" MULTI-SLIDE PATIO DOOR (8720)
Horizontal Section - Bi-parting stiles



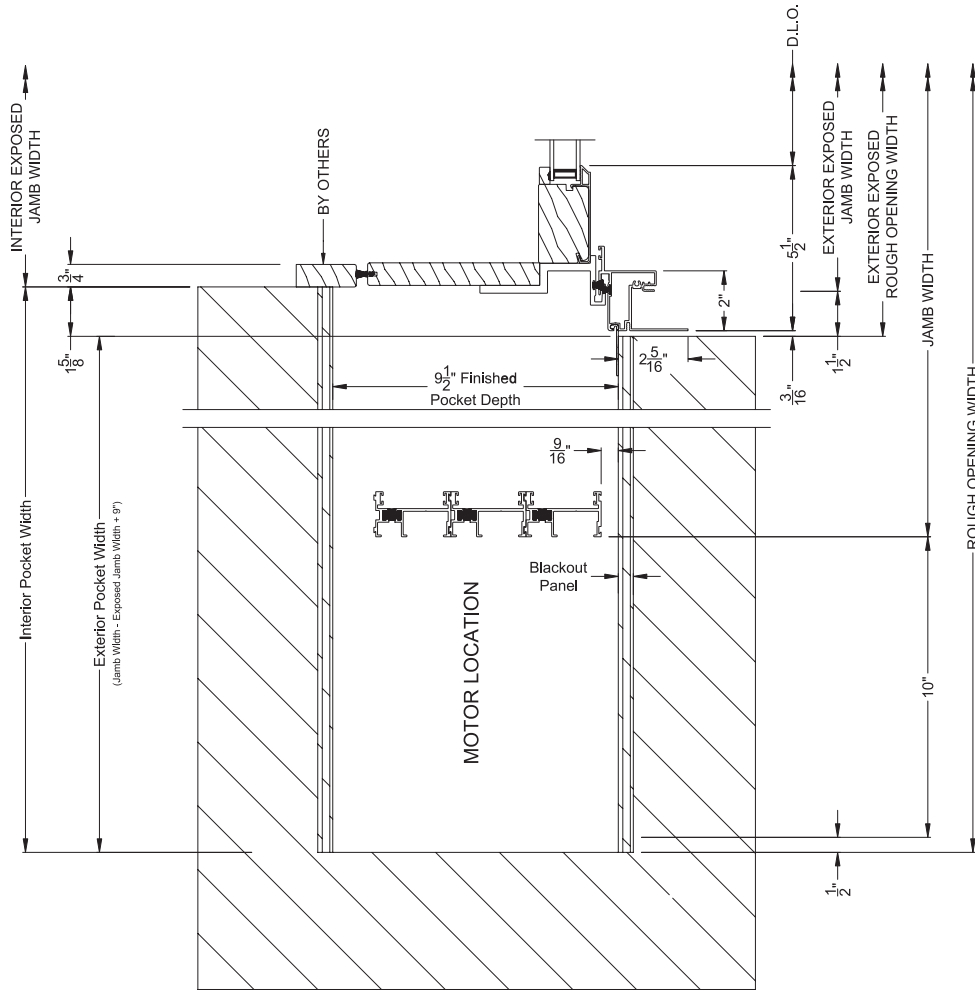
CONTEMPORARY 1-3/4" MULTI-SLIDE PATIO DOOR (8720)
Horizontal Pocket Section - 3 or Bi-parting 6 Panel Door

Note: All dimensions are approximate. Weather Shield reserves the right to change specifications without notice.

The Weather Shield Contemporary Collection

3-PANEL OR BI-PARTING 6-PANEL 1-3/4" MULTI-SLIDE DOORS (8720)

Cross Sections



CONTEMPORARY 1-3/4" MULTI-SLIDE PATIO DOOR (8720)
Horizontal Motorized Pocket Section - 3 or Bi-parting 6 Panel Door

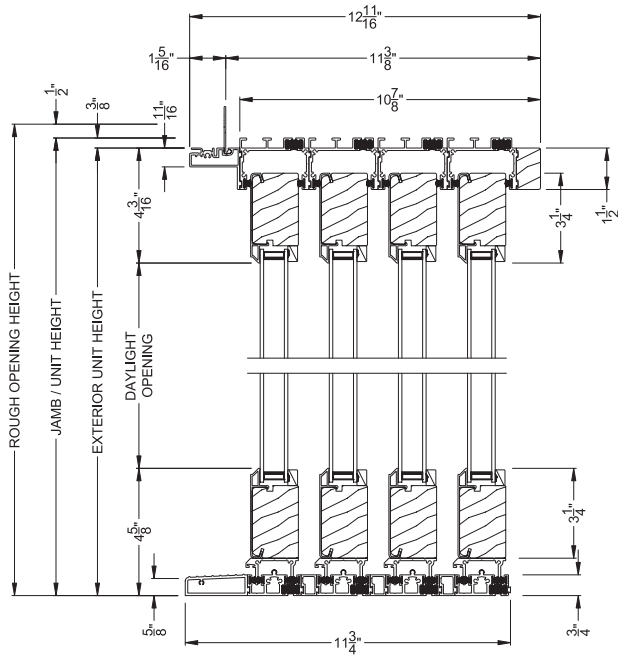
Note: All dimensions are approximate. Weather Shield reserves the right to change specifications without notice.

MULTI-SLIDE DOORS

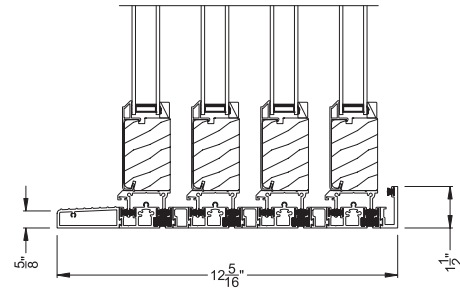
The Weather Shield Contemporary Collection

4-PANEL OR BI-PARTING 8-PANEL 1-3/4" MULTI-SLIDE DOORS (8720)

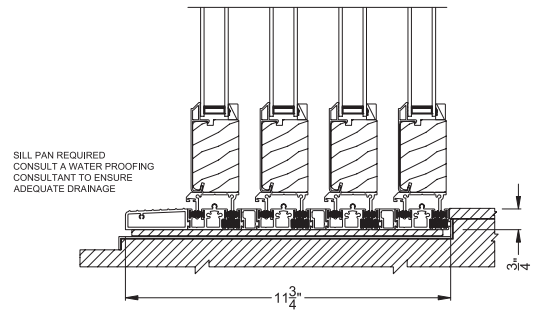
Cross Sections



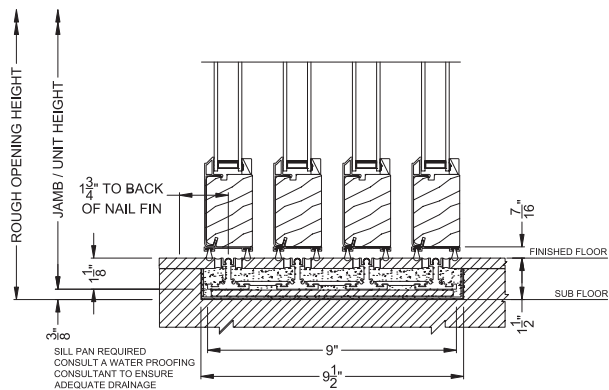
CONTEMPORARY 1-3/4" MULTI-SLIDE PATIO DOOR (8720)
Vertical Section - Flush Sill - 4 or Bi-parting 8 Panel Door



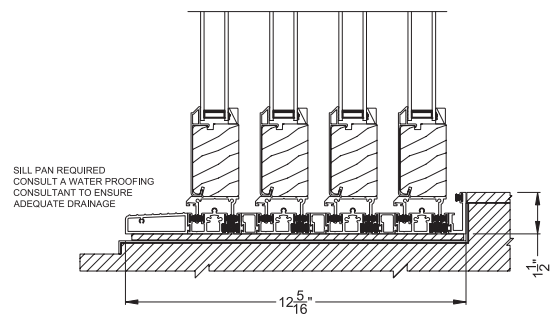
CONTEMPORARY 1-3/4" MULTI-SLIDE PATIO DOOR (8720)
Vertical Section - with Sill Riser - 4 or Bi-parting 8 Panel Door



CONTEMPORARY 1-3/4" MULTI-SLIDE PATIO DOOR (8720)
Vertical Section - With sill pan



CONTEMPORARY 1-3/4" MULTI-SLIDE PATIO DOOR (8720)
Vertical Section - with T-track sill - 4 or Bi-parting 8 Panel Door



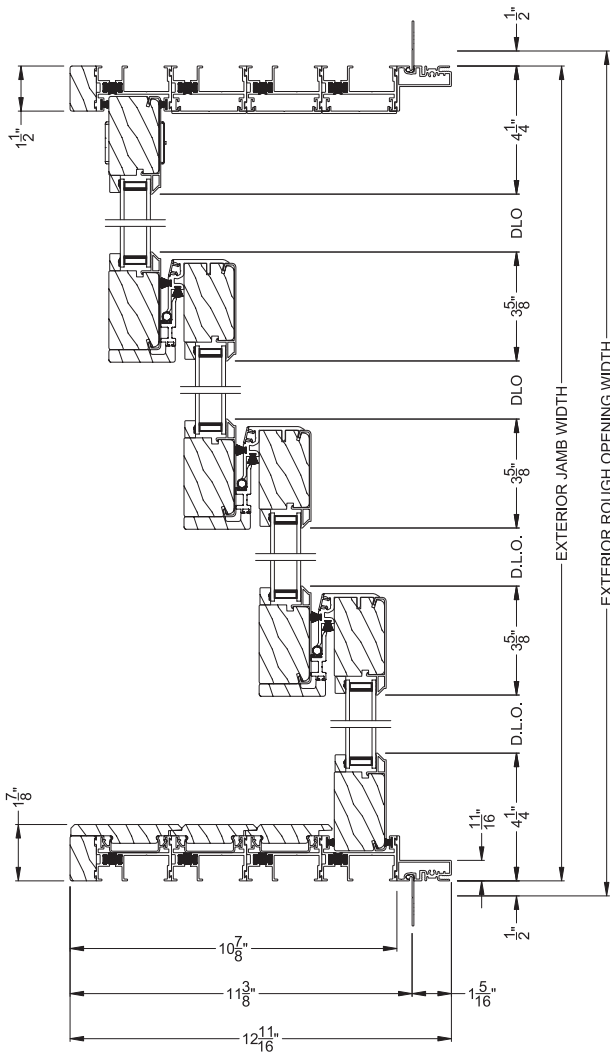
CONTEMPORARY 1-3/4" MULTI-SLIDE PATIO DOOR (8720)
Vertical Section - With sill pan

Note: All dimensions are approximate. Weather Shield reserves the right to change specifications without notice.

The Weather Shield Contemporary Collection

4-PANEL 1-3/4" MULTI-SLIDE DOORS (8720)

Cross Sections



CONTEMPORARY 1-3/4" MULTI-SLIDE PATIO DOOR (8720)
Horizontal Section - 4 Panel Door

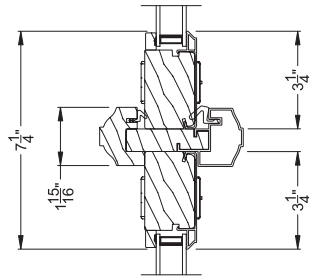
Note: All dimensions are approximate. Weather Shield reserves the right to change specifications without notice.

MULTI-SLIDE DOORS

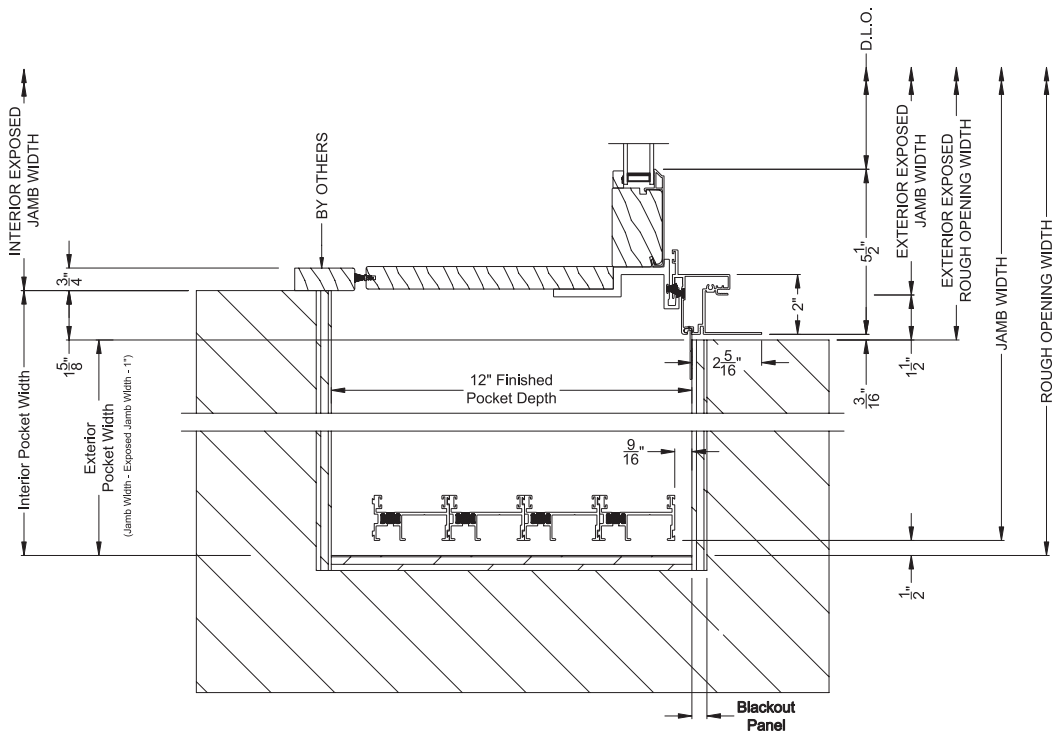
The Weather Shield Contemporary Collection

4-PANEL OR BI-PARTING 8-PANEL 1-3/4" MULTI-SLIDE DOORS (8720)

Cross Sections



CONTEMPORARY 1-3/4" MULTI-SLIDE PATIO DOOR (8720)
Horizontal Section - Bi-parting stiles



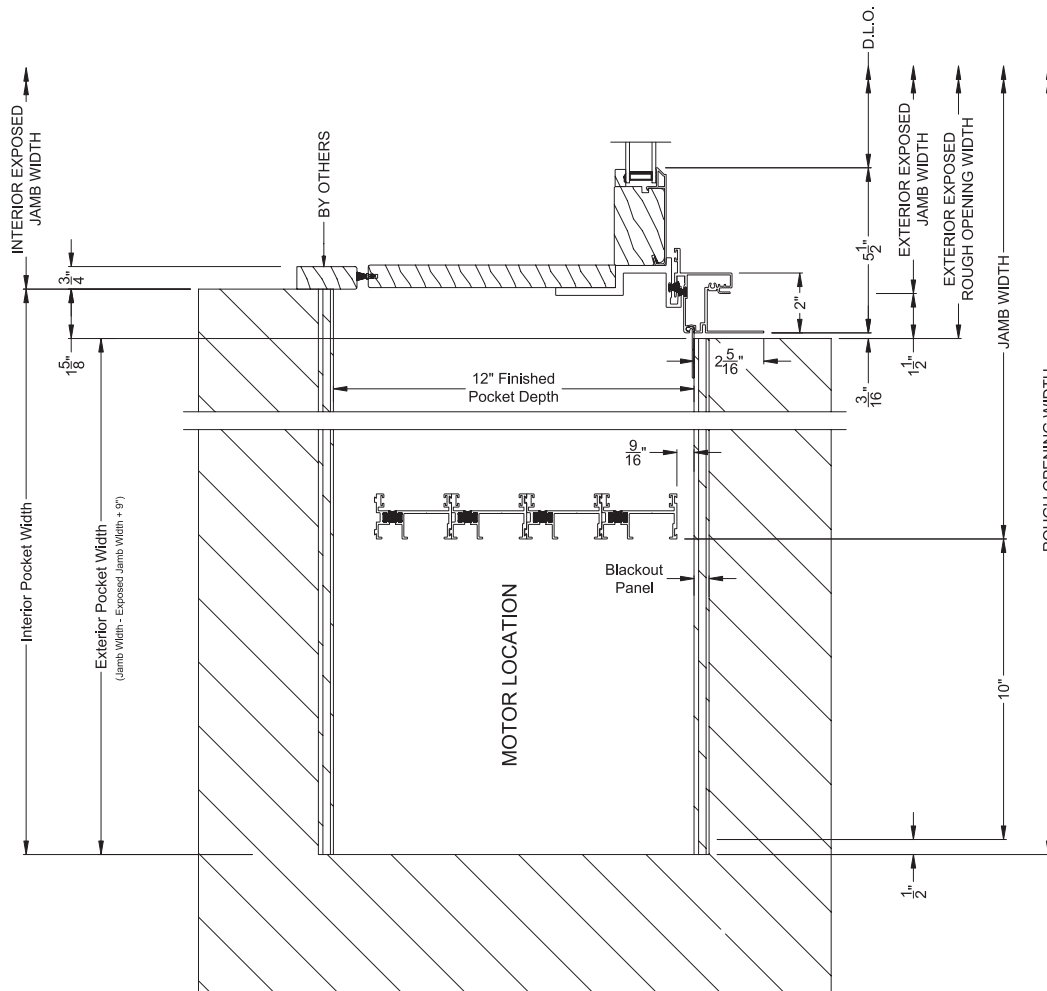
CONTEMPORARY 1-3/4" MULTI-SLIDE PATIO DOOR (8720)
Horizontal Pocket Section - 4 or Bi-parting 8 Panel Door

Note: All dimensions are approximate. Weather Shield reserves the right to change specifications without notice.

The Weather Shield Contemporary Collection

4-PANEL OR BI-PARTING 8-PANEL 1-3/4" MULTI-SLIDE DOORS (8720)

Cross Sections



CONTEMPORARY 1-3/4" MULTI-SLIDE PATIO DOOR (8720)
Horizontal Motorized Pocket Section - 4 or Bi-parting 8 Panel Door

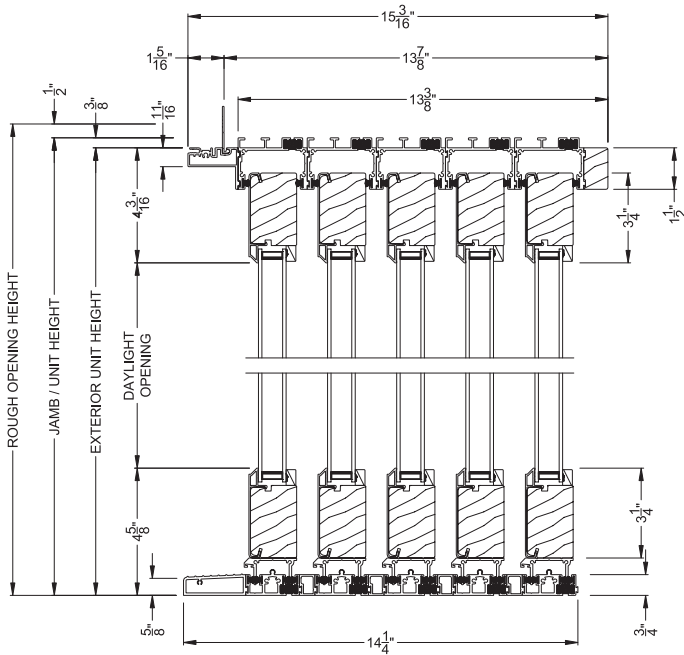
Note: All dimensions are approximate. Weather Shield reserves the right to change specifications without notice.

MULTI-SLIDE DOORS

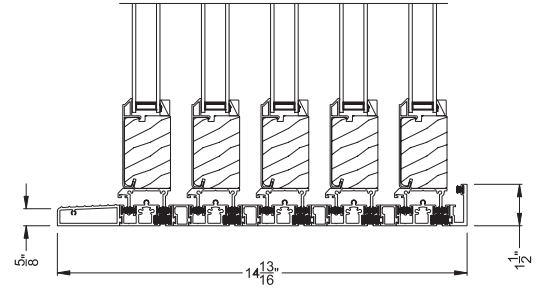
The Weather Shield Contemporary Collection

5-PANEL OR BI-PARTING 10-PANEL 1-3/4" MULTI-SLIDE DOORS (8720)

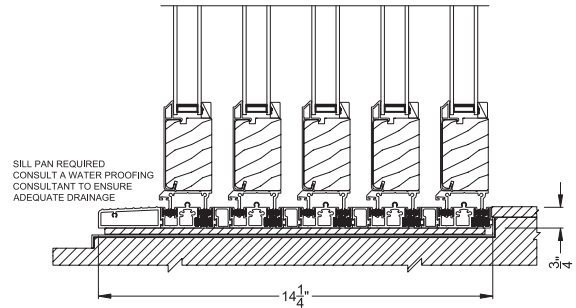
Cross Sections



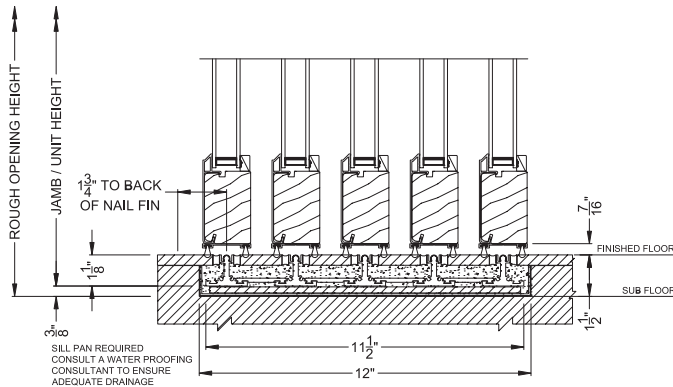
CONTEMPORARY 1-3/4" MULTI-SLIDE PATIO DOOR (8720)
Vertical Section - Flush Sill - 5 or Bi-parting 10 Panel Door



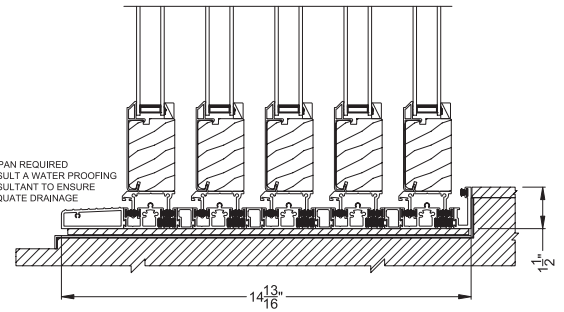
CONTEMPORARY 1-3/4" MULTI-SLIDE PATIO DOOR (8720)
Vertical Section - with Sill Riser - 5 or Bi-parting 10 Panel Door



CONTEMPORARY 1-3/4" MULTI-SLIDE PATIO DOOR (8720)
Vertical Section - with sill pan



CONTEMPORARY 1-3/4" MULTI-SLIDE PATIO DOOR (8720)
Vertical Section - with T-track sill - 5 or Bi-parting 10 Panel Door



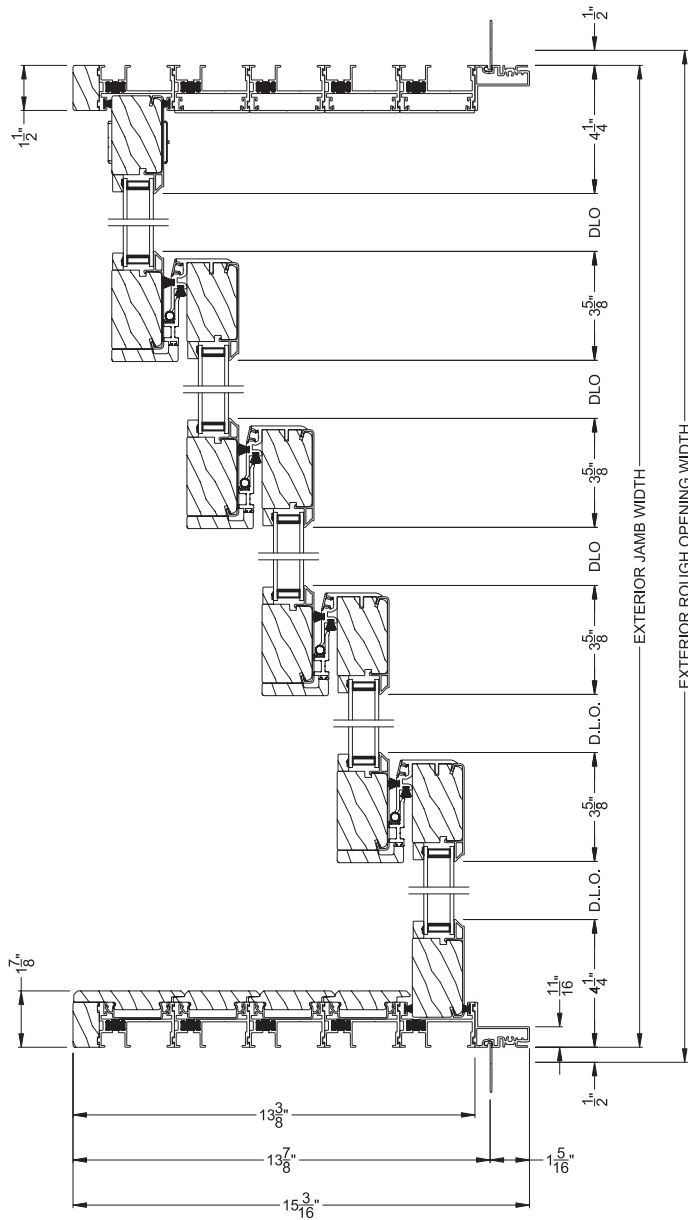
CONTEMPORARY 1-3/4" MULTI-SLIDE PATIO DOOR (8720)
Vertical Section - with sill pan

Note: All dimensions are approximate. Weather Shield reserves the right to change specifications without notice.

The Weather Shield Contemporary Collection

5-PANEL 1-3/4" MULTI-SLIDE DOORS (8720)

Cross Sections



CONTEMPORARY 1-3/4" MULTI-SLIDE PATIO DOOR (8720)
Horizontal Section - 5 Panel Door

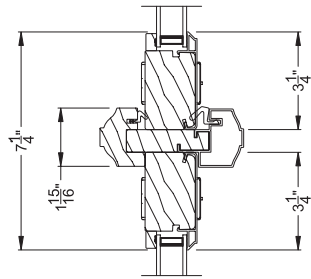
Note: All dimensions are approximate. Weather Shield reserves the right to change specifications without notice.

MULTI-SLIDE DOORS

The Weather Shield Contemporary Collection

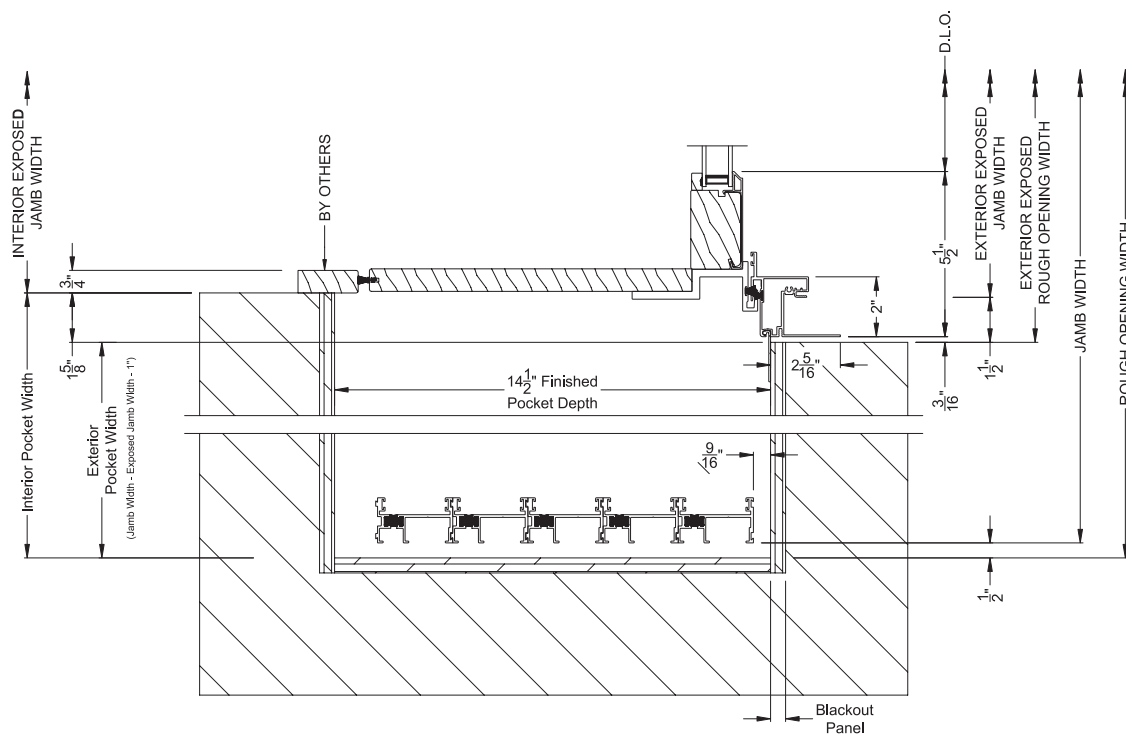
5-PANEL OR BI-PARTING 10-PANEL 1-3/4" MULTI-SLIDE DOORS (8720)

Cross Sections



CONTEMPORARY 1-3/4" MULTI-SLIDE PATIO DOOR (8720)

Horizontal Section - Bi-parting stiles



CONTEMPORARY 1-3/4" MULTI-SLIDE PATIO DOOR (8720)

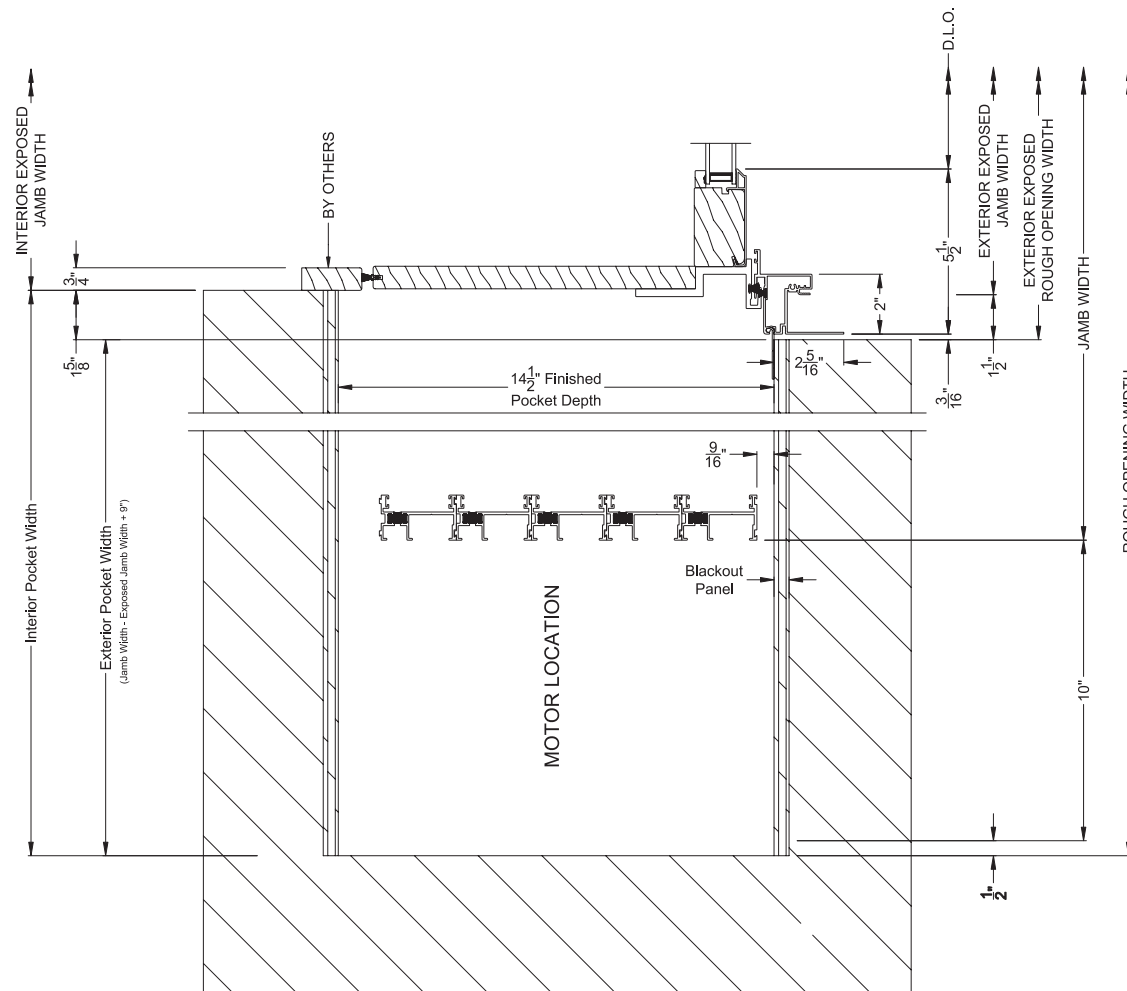
Horizontal Pocket Section - 5 or Bi-parting 10 Panel Door

Note: All dimensions are approximate. Weather Shield reserves the right to change specifications without notice.

The Weather Shield Contemporary Collection

5-PANEL OR BI-PARTING 10-PANEL 1-3/4" MULTI-SLIDE DOORS (8720)

Cross Sections



CONTEMPORARY 1-3/4" MULTI-SLIDE PATIO DOOR (8720)
Horizontal Motorized Pocket Section - 5 or Bi-parting 10 Panel Door

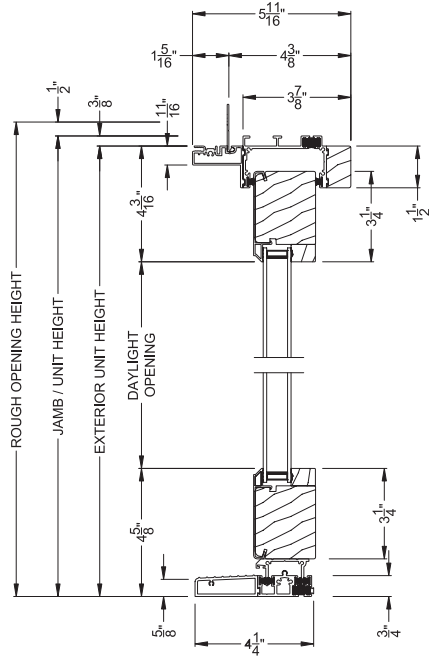
Note: All dimensions are approximate. Weather Shield reserves the right to change specifications without notice.

MULTI-SLIDE DOORS

The Weather Shield Contemporary Collection

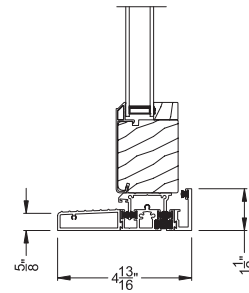
1-PANEL OR BI-PARTING 2-PANEL 2-1/4" MULTI-SLIDE DOORS (8722)

Cross Sections



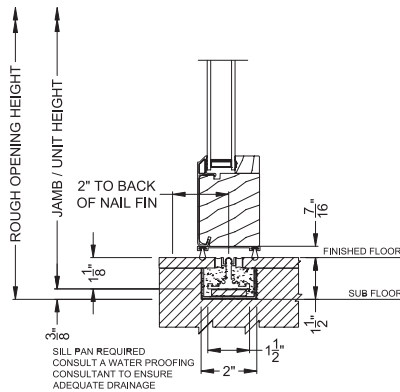
CONTEMPORARY 2-1/4" MULTI-SLIDE PATIO DOOR (8722)

Vertical Section - Flush Sill - 1 or Bi-parting 2 Panel Door



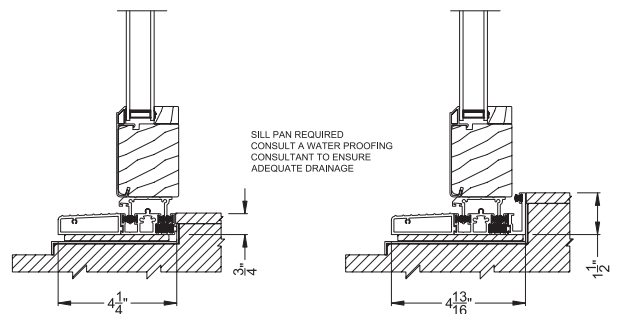
CONTEMPORARY 2-1/4" MULTI-SLIDE PATIO DOOR (8722)

Vertical Section - with Sill Riser - 1 or Bi-parting 2 Panel Door



CONTEMPORARY 2-1/4" MULTI-SLIDE PATIO DOOR (8722)

Vertical Section - with T-track sill - 1 or Bi-parting 2 Panel Door



CONTEMPORARY 2-1/4" MULTI-SLIDE PATIO DOOR (8722)

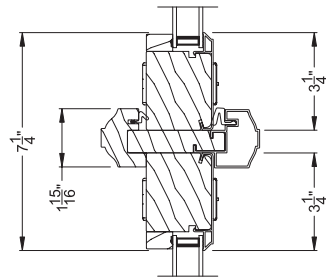
Vertical Section - With sill pan

Note: All dimensions are approximate. Weather Shield reserves the right to change specifications without notice.

The Weather Shield Contemporary Collection

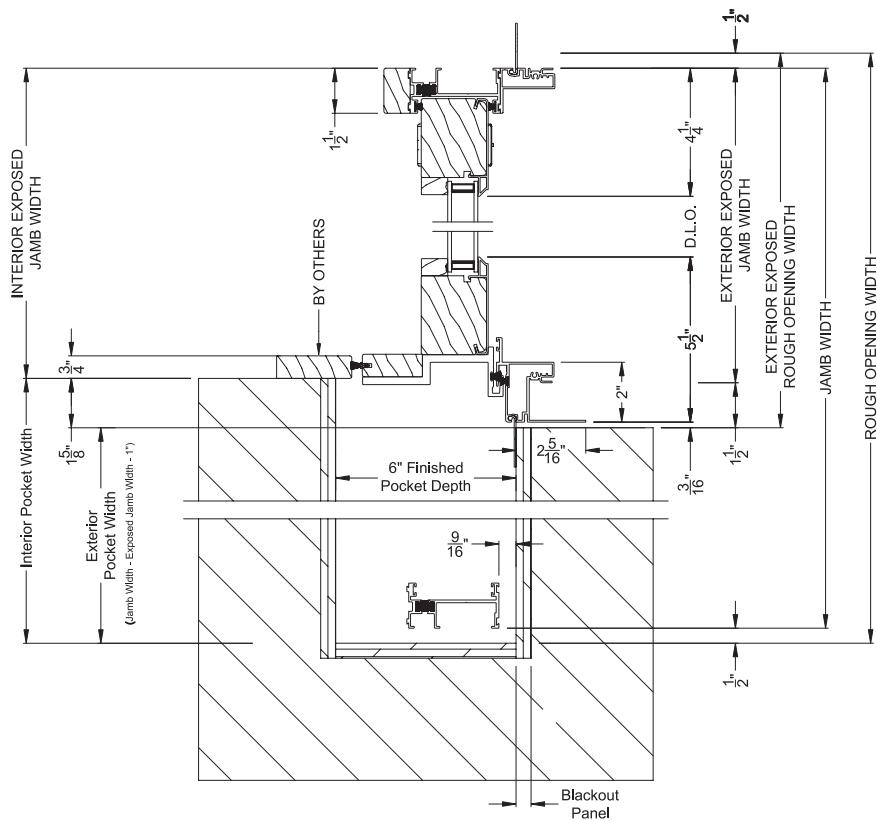
1-PANEL OR BI-PARTING 2-PANEL 2-1/4" MULTI-SLIDE DOORS (8722)

Cross Sections



CONTEMPORARY 2-1/4" MULTI-SLIDE PATIO DOOR (8722)

Horizontal Section - Bi-parting stiles



CONTEMPORARY 2-1/4" MULTI-SLIDE PATIO DOOR (8722)

Horizontal Pocket Section - 1 or Bi-parting 2 Panel Door

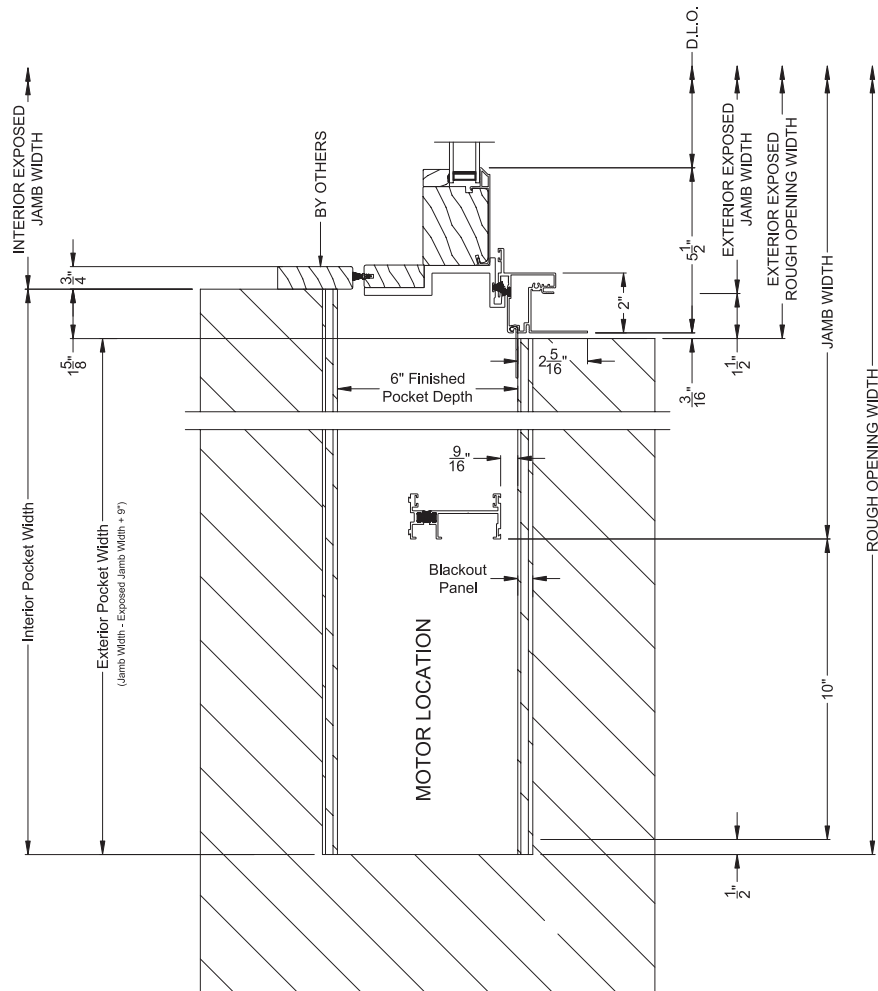
Note: All dimensions are approximate. Weather Shield reserves the right to change specifications without notice.

MULTI-SLIDE DOORS

The Weather Shield Contemporary Collection

1-PANEL OR BI-PARTING 2-PANEL 2-1/4" MULTI-SLIDE DOORS (8722)

Cross Sections



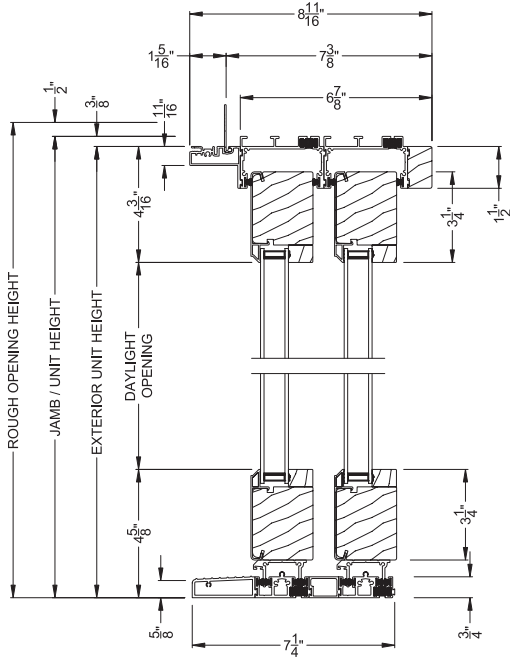
CONTEMPORARY 2-1/4" MULTI-SLIDE PATIO DOOR (8722)
Horizontal Motorized Pocket Section - 1 or Bi-parting 2 Panel Door

Note: All dimensions are approximate. Weather Shield reserves the right to change specifications without notice.

The Weather Shield Contemporary Collection

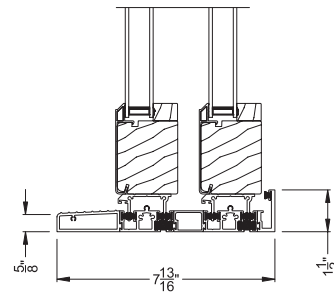
2-PANEL OR BI-PARTING 4-PANEL 2-1/4" MULTI-SLIDE DOORS (8722)

Cross Sections



CONTEMPORARY 2-1/4" MULTI-SLIDE PATIO DOOR (8722)

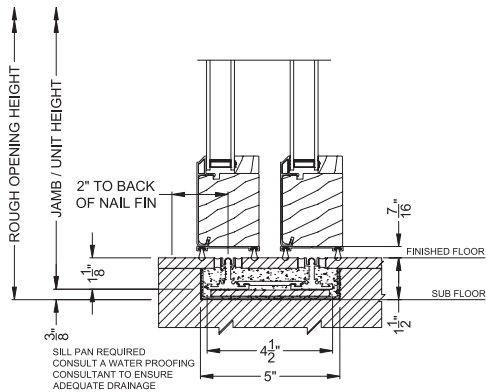
Vertical Section - Flush Sill - 2 or Bi-parting 4 Panel Door



CONTEMPORARY 2-1/4" MULTI-SLIDE PATIO DOOR (8722)

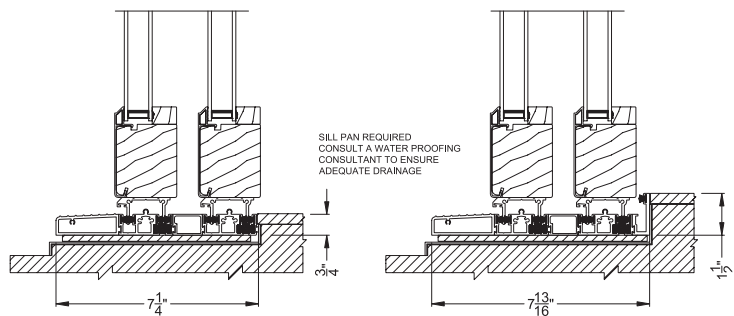
Vertical Section - with Sill Riser - 2 or Bi-parting 4 Panel Door

MULTI-SLIDE DOORS



CONTEMPORARY 2-1/4" MULTI-SLIDE PATIO DOOR (8722)

Vertical Section - with T-track sill - 2 or Bi-parting 4 Panel Door



CONTEMPORARY 2-1/4" MULTI-SLIDE PATIO DOOR (8722)

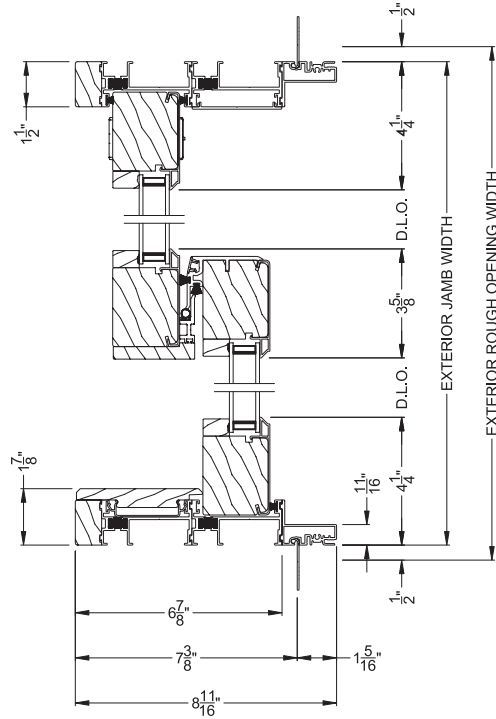
Vertical Section - With sill pan

Note: All dimensions are approximate. Weather Shield reserves the right to change specifications without notice.

The Weather Shield Contemporary Collection

2-PANEL 2-1/4" MULTI-SLIDE DOORS (8722)

Cross Sections



CONTEMPORARY 2-1/4" MULTI-SLIDE PATIO DOOR (8722)

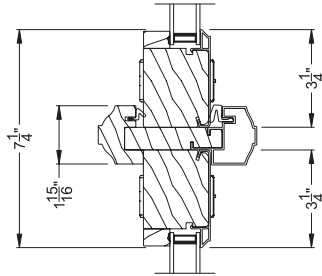
Horizontal Section - 2 Panel Door

Note: All dimensions are approximate. Weather Shield reserves the right to change specifications without notice.

The Weather Shield Contemporary Collection

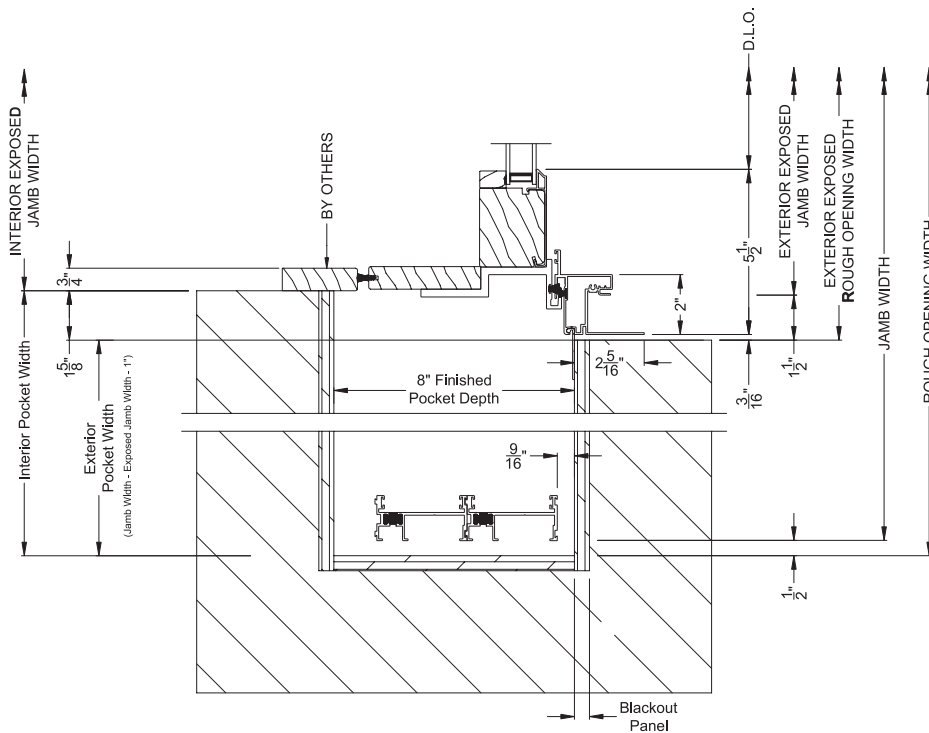
2-PANEL OR BI-PARTING 4-PANEL
2-1/4" MULTI-SLIDE DOORS (8722)

Cross Sections



CONTEMPORARY 2-1/4" MULTI-SLIDE PATIO DOOR (8722)

Horizontal Section - Bi-parting stiles



CONTEMPORARY 2-1/4" MULTI-SLIDE PATIO DOOR (8722)

Horizontal Pocket Section - 2 or Bi-parting 4 Panel Door

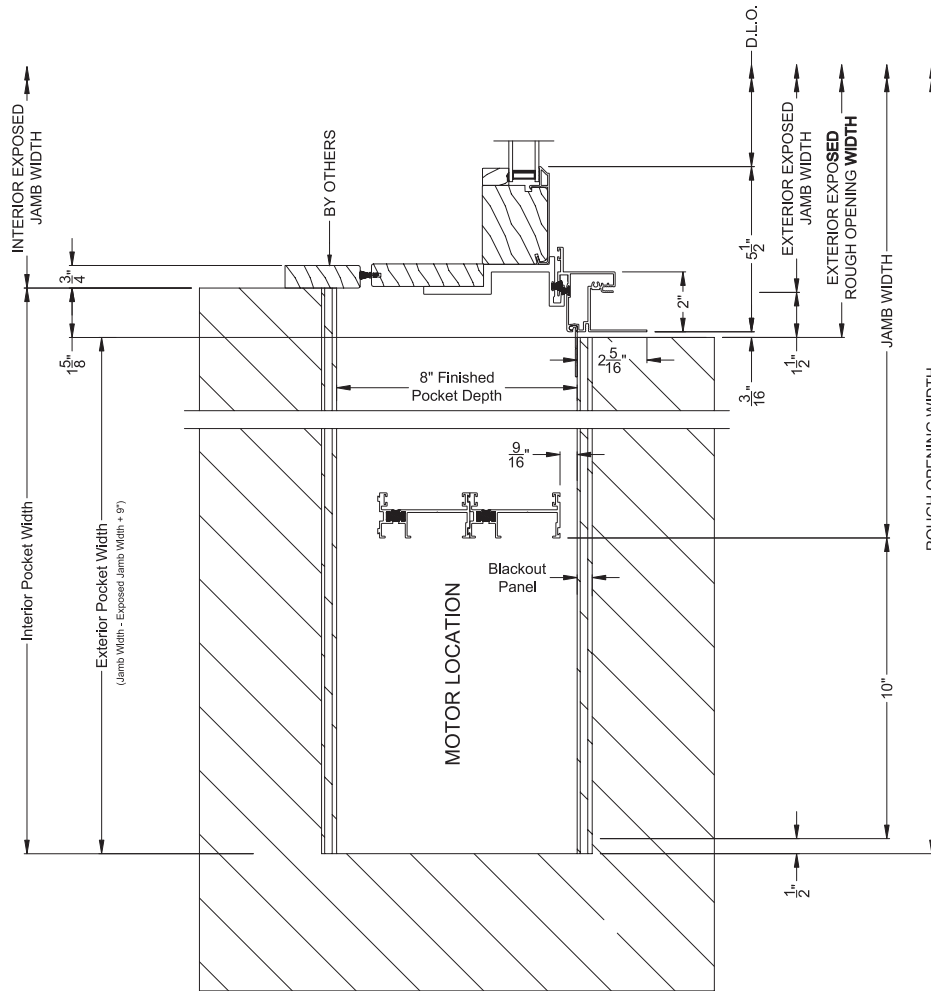
Note: All dimensions are approximate. Weather Shield reserves the right to change specifications without notice.

MULTI-SLIDE DOORS

The Weather Shield Contemporary Collection

2-PANEL OR BI-PARTING 4-PANEL 2-1/4" MULTI-SLIDE DOORS (8722)

Cross Sections



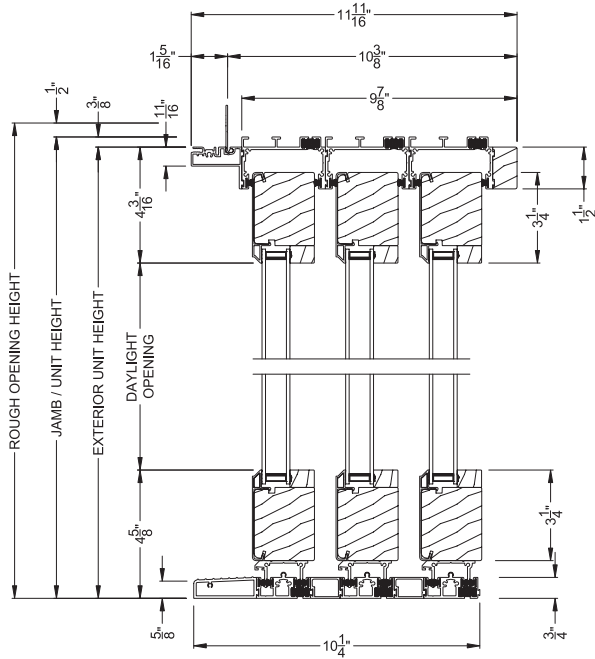
CONTEMPORARY 2-1/4" MULTI-SLIDE PATIO DOOR (8722)
Horizontal Motorized Pocket Section - 2 or Bi-parting 4 Panel Door

Note: All dimensions are approximate. Weather Shield reserves the right to change specifications without notice.

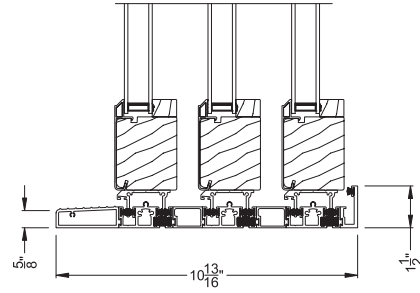
The Weather Shield Contemporary Collection

3-PANEL OR BI-PARTING 6-PANEL 2-1/4" MULTI-SLIDE DOORS (8722)

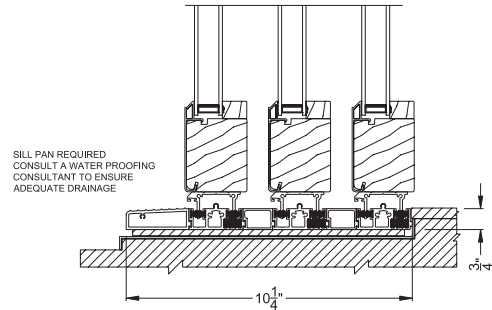
Cross Sections



CONTEMPORARY 2-1/4" MULTI-SLIDE PATIO DOOR (8722)
Vertical Section - Flush Sill - 3 or Bi-parting 6 Panel Door

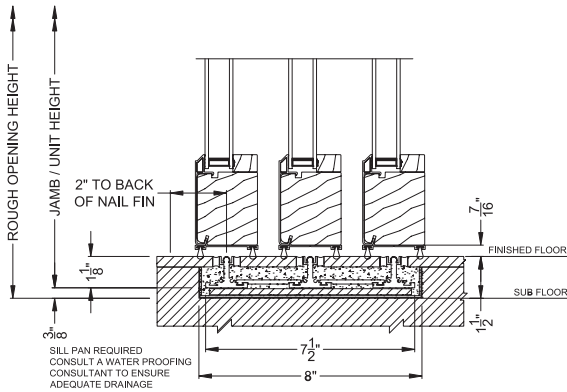


CONTEMPORARY 2-1/4" MULTI-SLIDE PATIO DOOR (8722)
Vertical Section - with Sill Riser - 3 or Bi-parting 6 Panel Door

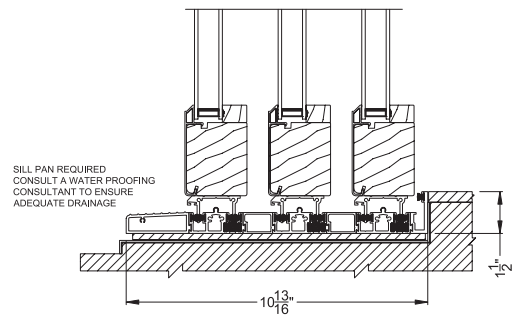


CONTEMPORARY 2-1/4" MULTI-SLIDE PATIO DOOR (8722)
Vertical Section - With sill pan

MULTI-SLIDE DOORS



CONTEMPORARY 2-1/4" MULTI-SLIDE PATIO DOOR (8722)
Vertical Section - with T-track sill - 3 or Bi-parting 6 Panel Door



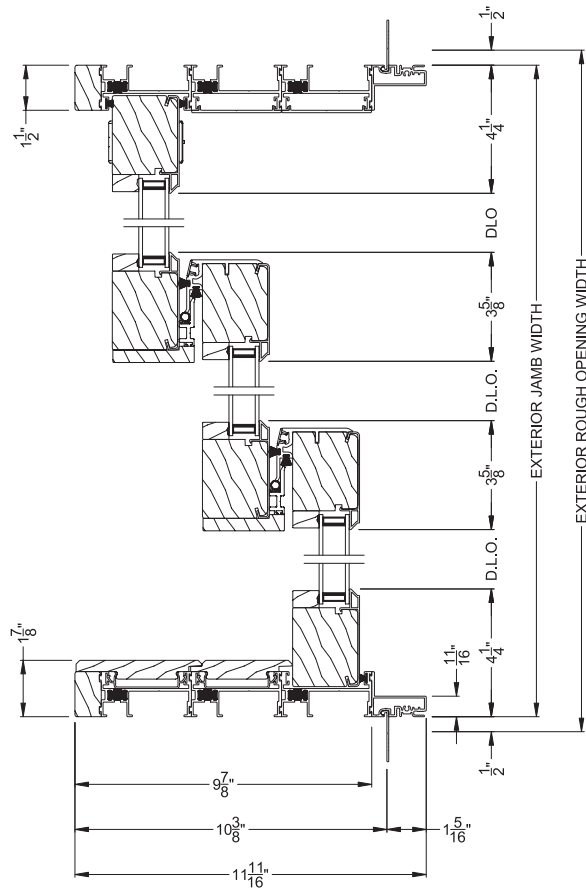
CONTEMPORARY 2-1/4" MULTI-SLIDE PATIO DOOR (8722)
Vertical Section - With sill pan

Note: All dimensions are approximate. Weather Shield reserves the right to change specifications without notice.

The Weather Shield Contemporary Collection

3-PANEL 2-1/4" MULTI-SLIDE DOORS (8722)

Cross Sections



CONTEMPORARY 2-1/4" MULTI-SLIDE PATIO DOOR (8722)

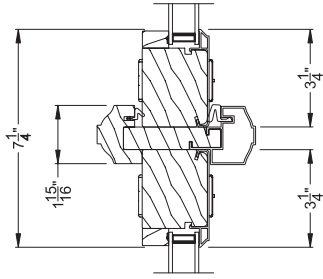
Horizontal Section - 3 Panel Door

Note: All dimensions are approximate. Weather Shield reserves the right to change specifications without notice.

The Weather Shield Contemporary Collection

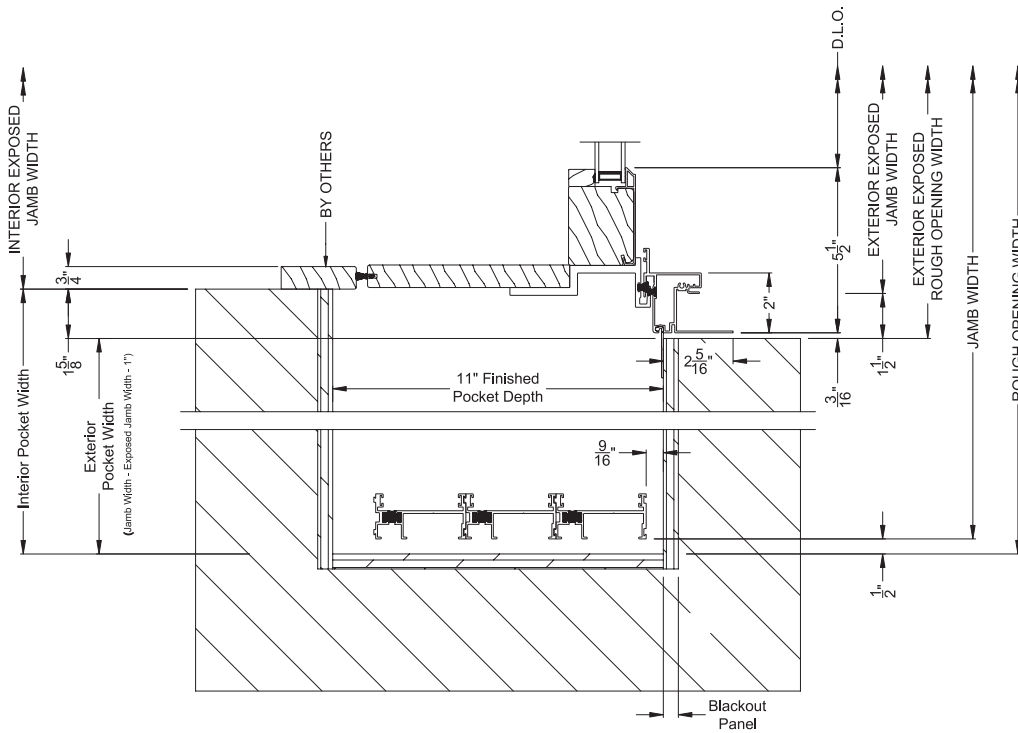
3-PANEL OR BI-PARTING 6-PANEL
2-1/4" MULTI-SLIDE DOORS (8722)

Cross Sections



CONTEMPORARY 2-1/4" MULTI-SLIDE PATIO DOOR (8722)

Horizontal Section - Bi-parting stiles



CONTEMPORARY 2-1/4" MULTI-SLIDE PATIO DOOR (8722)

Horizontal Pocket Section - 3 or Bi-parting 6 Panel Door

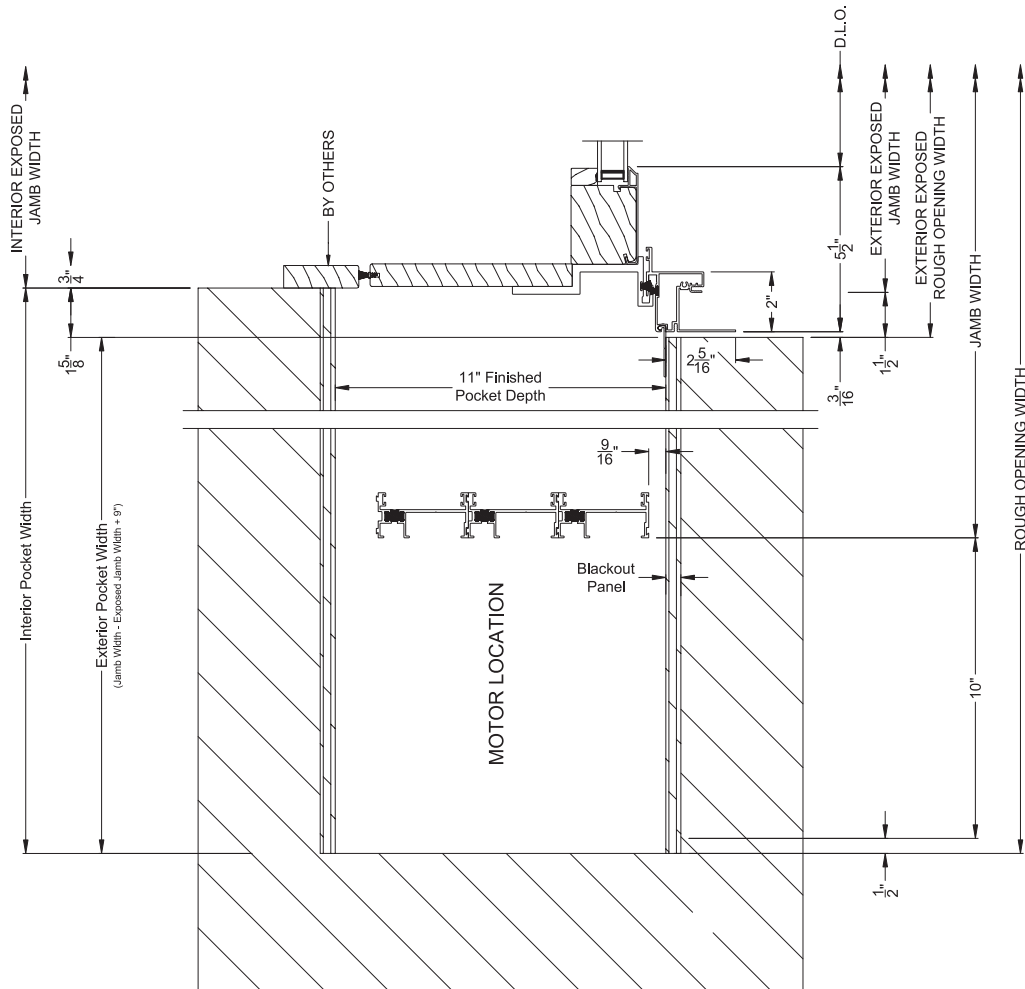
Note: All dimensions are approximate. Weather Shield reserves the right to change specifications without notice.

MULTI-SLIDE DOORS

The Weather Shield Contemporary Collection

3-PANEL OR BI-PARTING 6-PANEL 2-1/4" MULTI-SLIDE DOORS (8722)

Cross Sections



CONTEMPORARY 2-1/4" MULTI-SLIDE PATIO DOOR (8722)

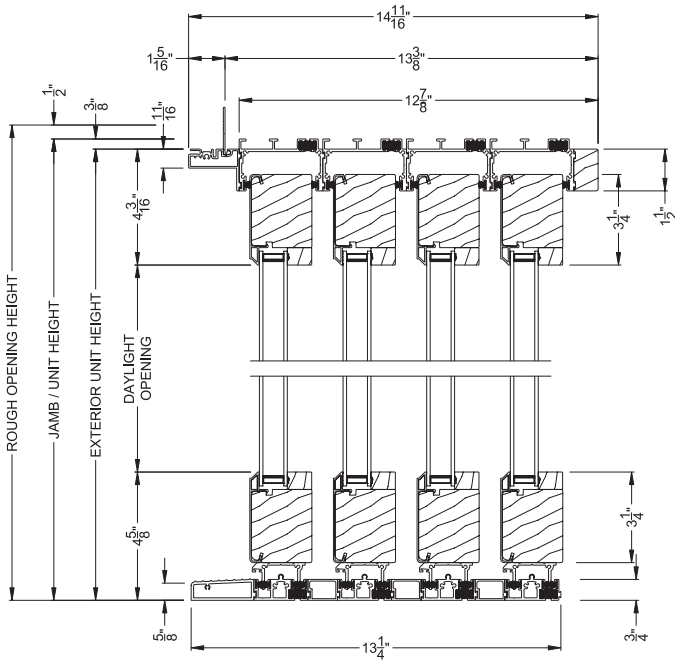
Horizontal Motorized Pocket Section - 3 or Bi-parting 6 Panel Door

Note: All dimensions are approximate. Weather Shield reserves the right to change specifications without notice.

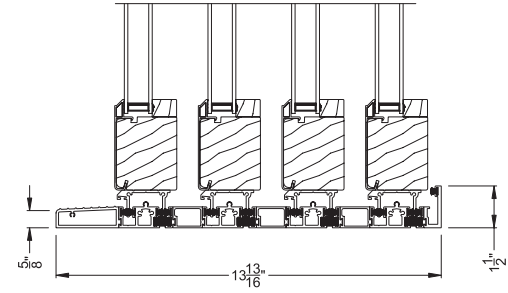
The Weather Shield Contemporary Collection

4-PANEL OR BI-PARTING 8-PANEL 2-1/4" MULTI-SLIDE DOORS (8722)

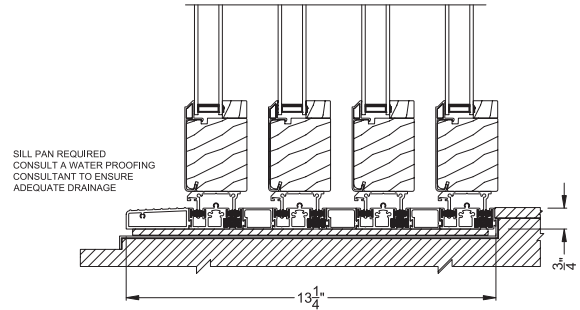
Cross Sections



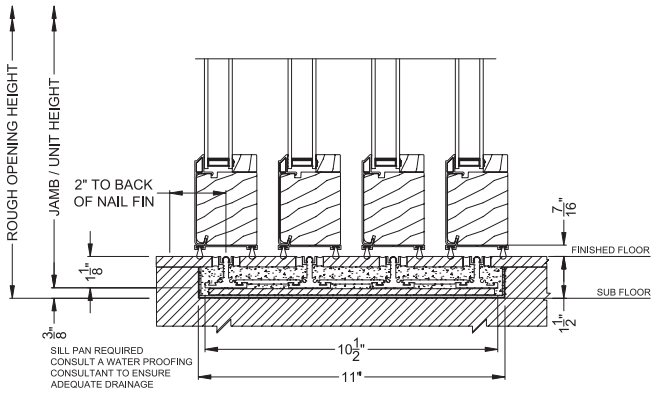
CONTEMPORARY 2-1/4" MULTI-SLIDE PATIO DOOR (8722)
Vertical Section - Flush Sill - 4 or Bi-parting 8 Panel Door



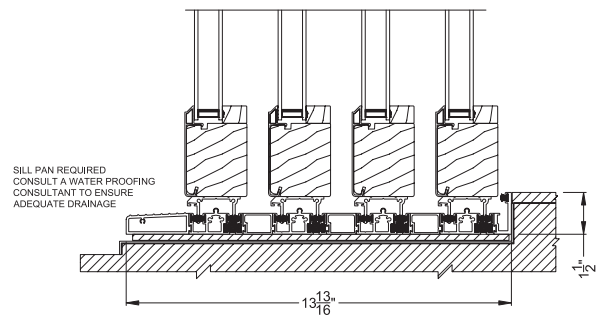
CONTEMPORARY 2-1/4" MULTI-SLIDE PATIO DOOR (8722)
Vertical Section - with Sill Riser - 4 or Bi-parting 8 Panel Door



CONTEMPORARY 2-1/4" MULTI-SLIDE PATIO DOOR (8722)
Vertical Section - With sill pan



CONTEMPORARY 2-1/4" MULTI-SLIDE PATIO DOOR (8722)
Vertical Section - with T-track sill - 4 or Bi-parting 8 Panel Door



CONTEMPORARY 2-1/4" MULTI-SLIDE PATIO DOOR (8722)
Vertical Section - With sill pan

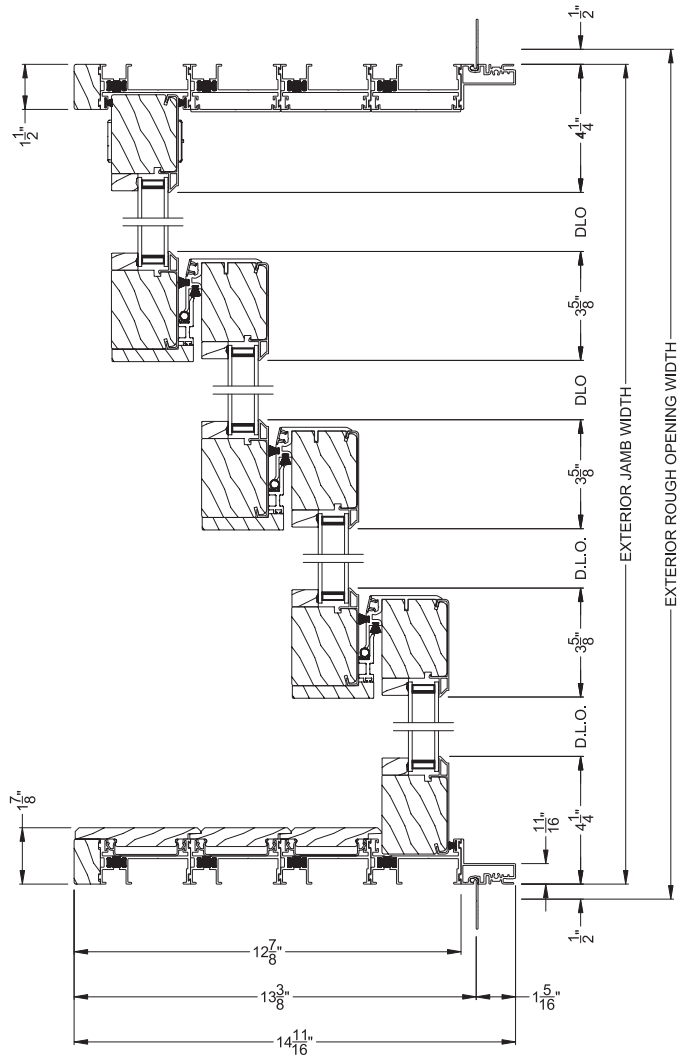
Note: All dimensions are approximate. Weather Shield reserves the right to change specifications without notice.

MULTI-SLIDE DOORS

The Weather Shield Contemporary Collection

4-PANEL 2-1/4" MULTI-SLIDE DOORS (8722)

Cross Sections



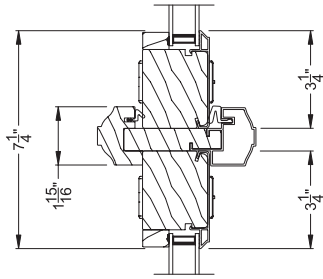
CONTEMPORARY 2-1/4" MULTI-SLIDE PATIO DOOR (8722)
Horizontal Section - 4 Panel Door

Note: All dimensions are approximate. Weather Shield reserves the right to change specifications without notice.

The Weather Shield Contemporary Collection

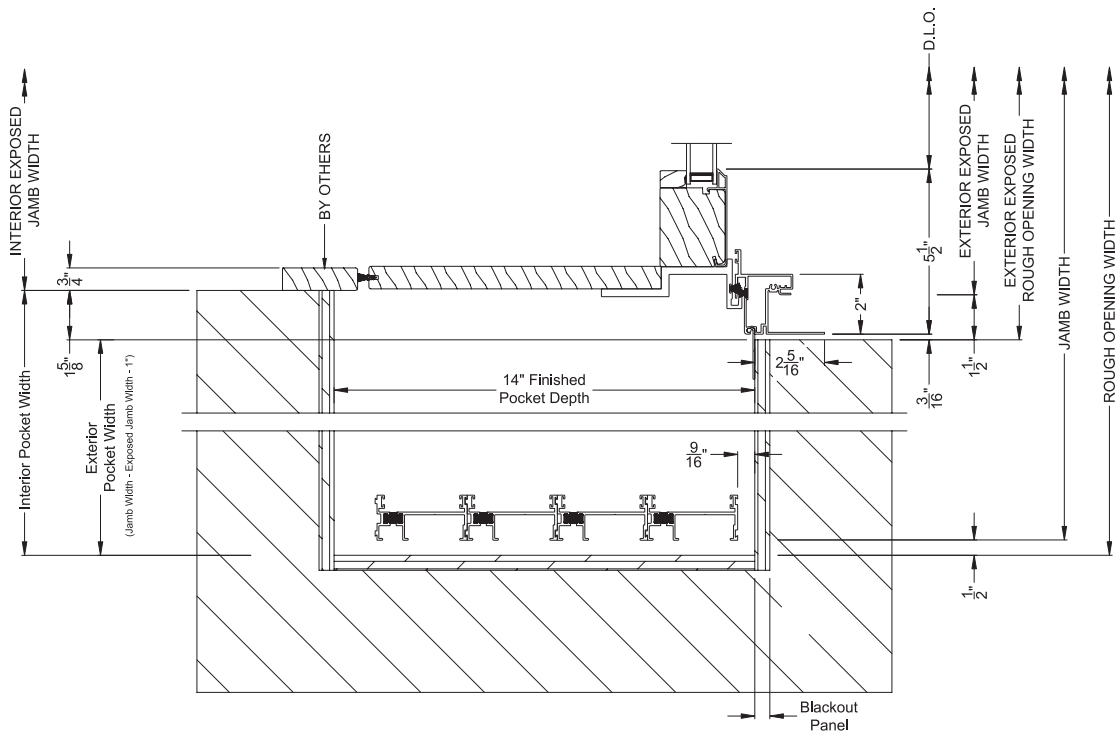
4-PANEL OR BI-PARTING 8-PANEL
2-1/4" MULTI-SLIDE DOORS (8722)

Cross Sections



CONTEMPORARY 2-1/4" MULTI-SLIDE PATIO DOOR (8722)

Horizontal Section - Bi-parting stiles



CONTEMPORARY 2-1/4" MULTI-SLIDE PATIO DOOR (8722)

Horizontal Pocket Section - 4 or Bi-parting 8 Panel Door

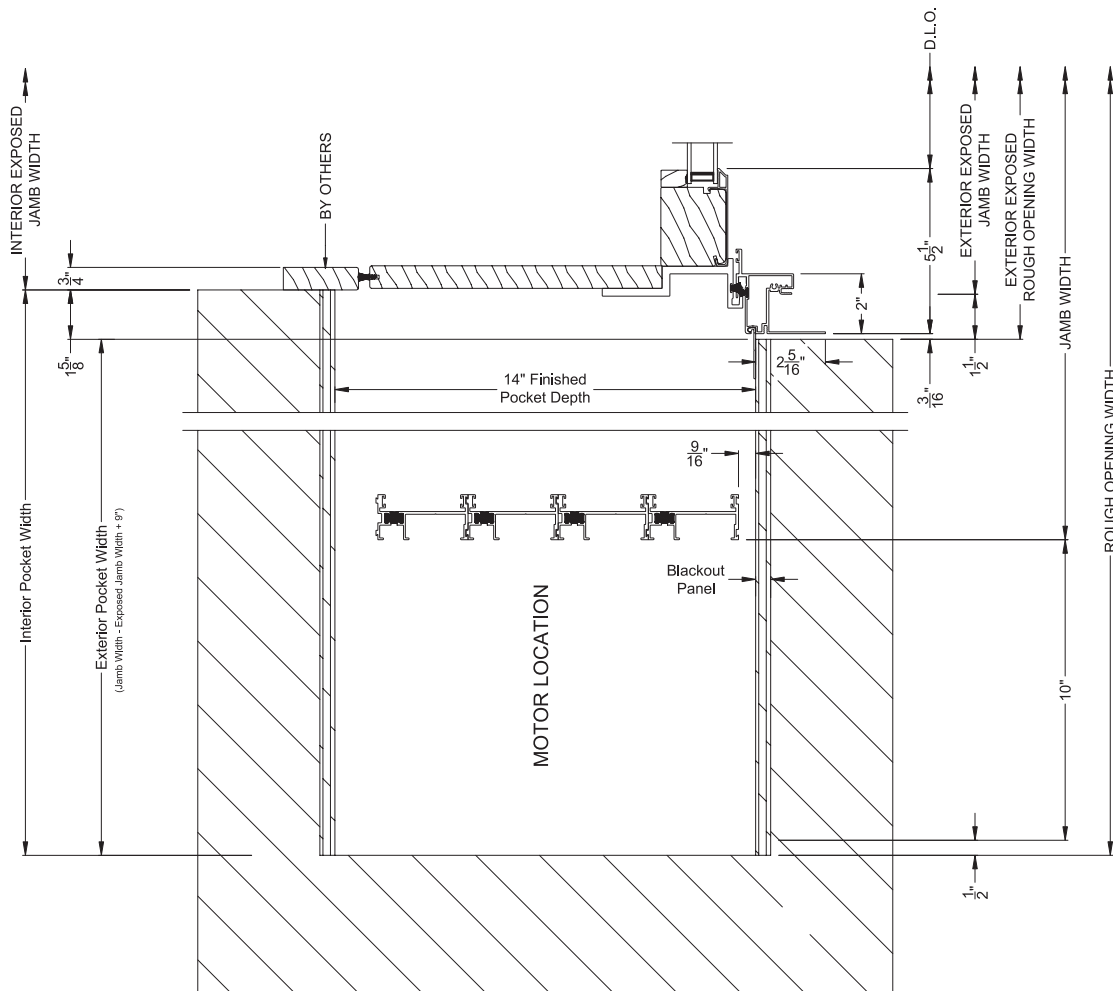
Note: All dimensions are approximate. Weather Shield reserves the right to change specifications without notice.

MULTI-SLIDE DOORS

The Weather Shield Contemporary Collection

4-PANEL OR BI-PARTING 8-PANEL 2-1/4" MULTI-SLIDE DOORS (8722)

Cross Sections



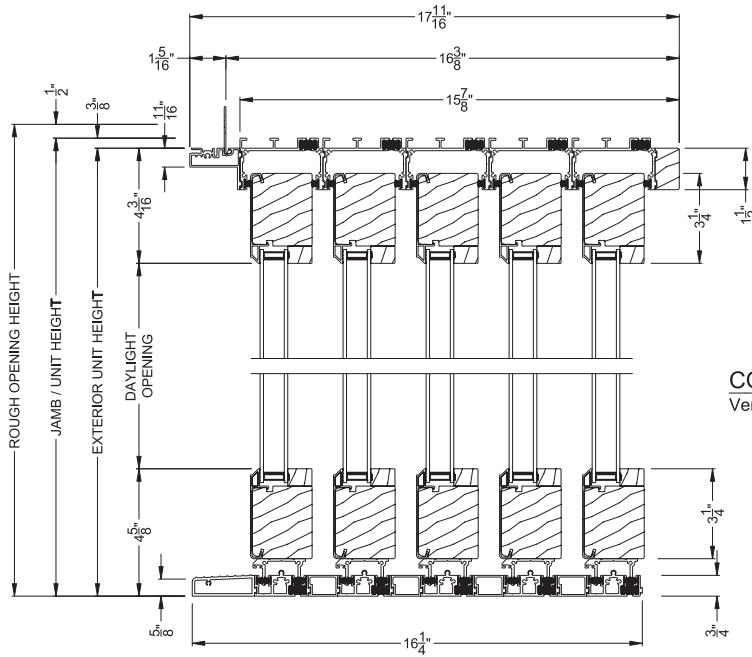
CONTEMPORARY 2-1/4" MULTI-SLIDE PATIO DOOR (8722)
Horizontal Motorized Pocket Section - 4 or Bi-parting 8 Panel Door

Note: All dimensions are approximate. Weather Shield reserves the right to change specifications without notice.

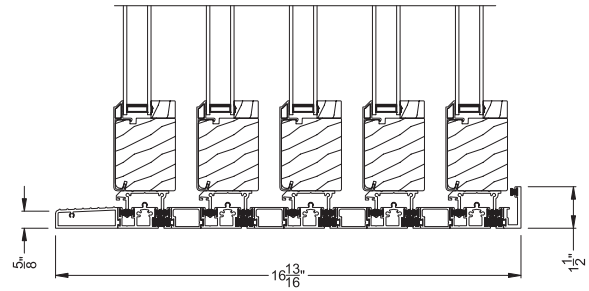
The Weather Shield Contemporary Collection

5-PANEL OR BI-PARTING 10-PANEL 2-1/4" MULTI-SLIDE DOORS (8722)

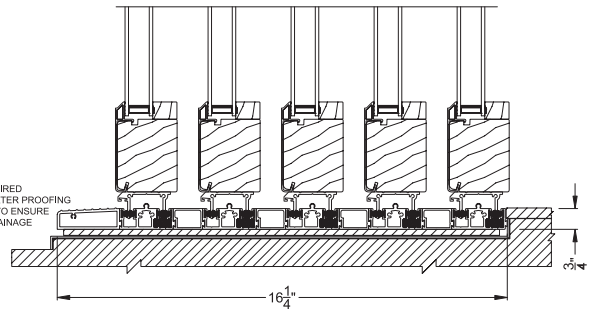
Cross Sections



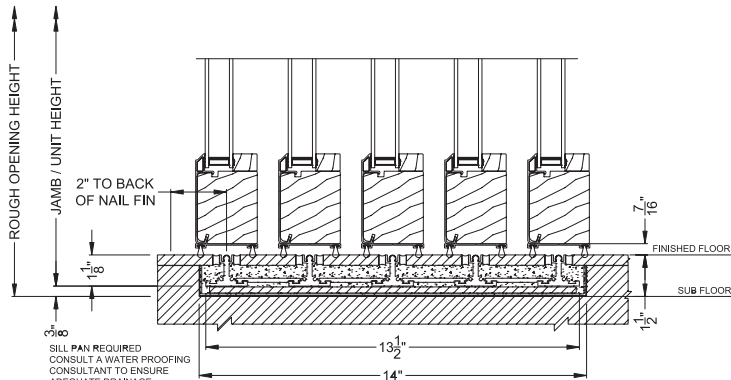
CONTEMPORARY 2-1/4" MULTI-SLIDE PATIO DOOR (8722)
Vertical Section - Flush Sill - 5 or Bi-parting 10 Panel Door



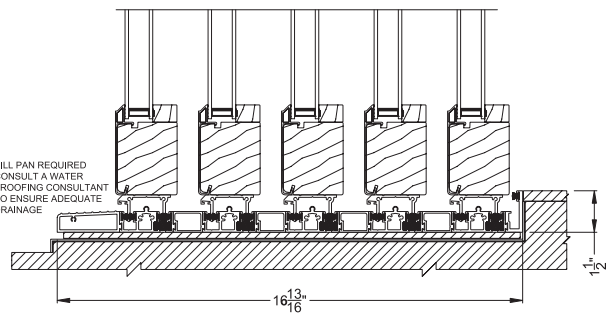
CONTEMPORARY 2-1/4" MULTI-SLIDE PATIO DOOR (8722)
Vertical Section - with Sill Riser - 5 or Bi-parting 10 Panel Door



CONTEMPORARY 2-1/4" MULTI-SLIDE PATIO DOOR (8722)
Vertical Section - with sill pan



CONTEMPORARY 2-1/4" MULTI-SLIDE PATIO DOOR (8722)
Vertical Section - with T-track sill - 5 or Bi-parting 10 Panel Door



CONTEMPORARY 2-1/4" MULTI-SLIDE PATIO DOOR (8722)
Vertical Section - with sill pan

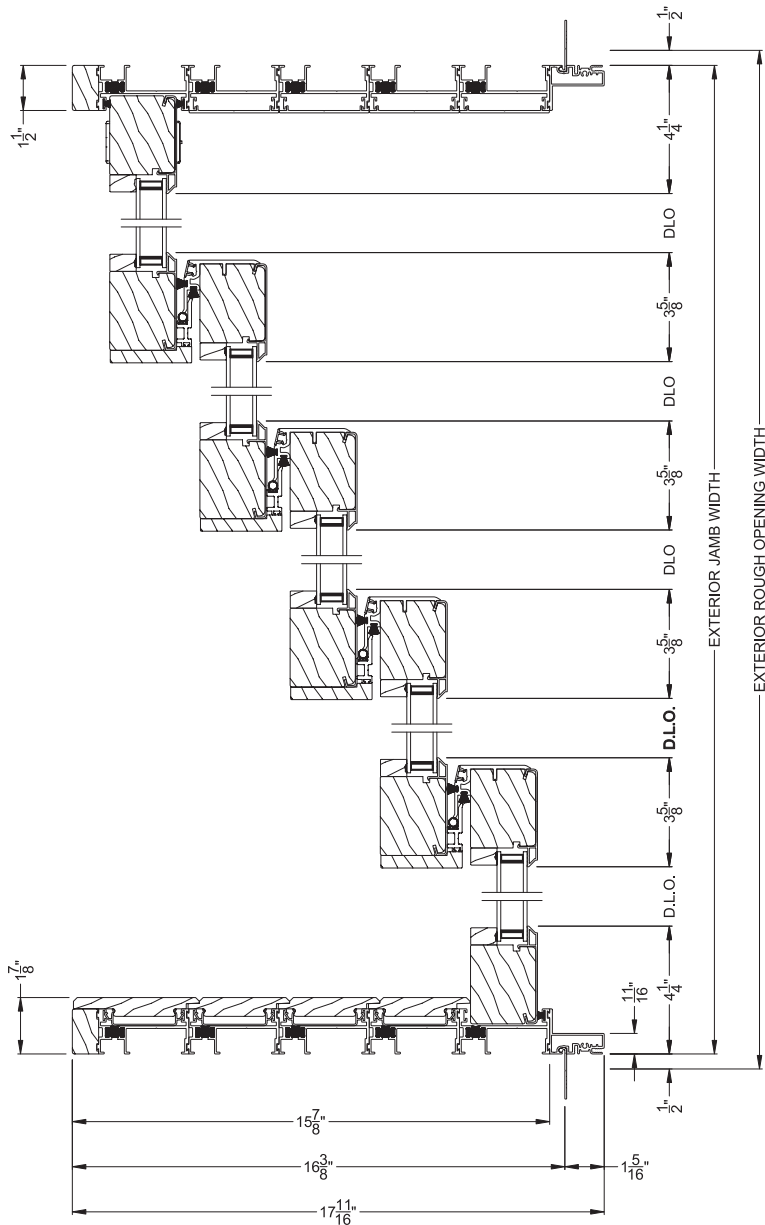
Note: All dimensions are approximate. Weather Shield reserves the right to change specifications without notice.

MULTI-SLIDE DOORS

The Weather Shield Contemporary Collection

5-PANEL 2-1/4" MULTI-SLIDE DOORS (8722)

Cross Sections



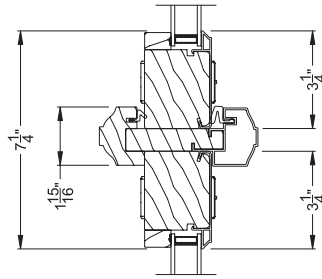
CONTEMPORARY 2-1/4" MULTI-SLIDE PATIO DOOR (8722)
Horizontal Section - 5 Panel Door

Note: All dimensions are approximate. Weather Shield reserves the right to change specifications without notice.

The Weather Shield Contemporary Collection

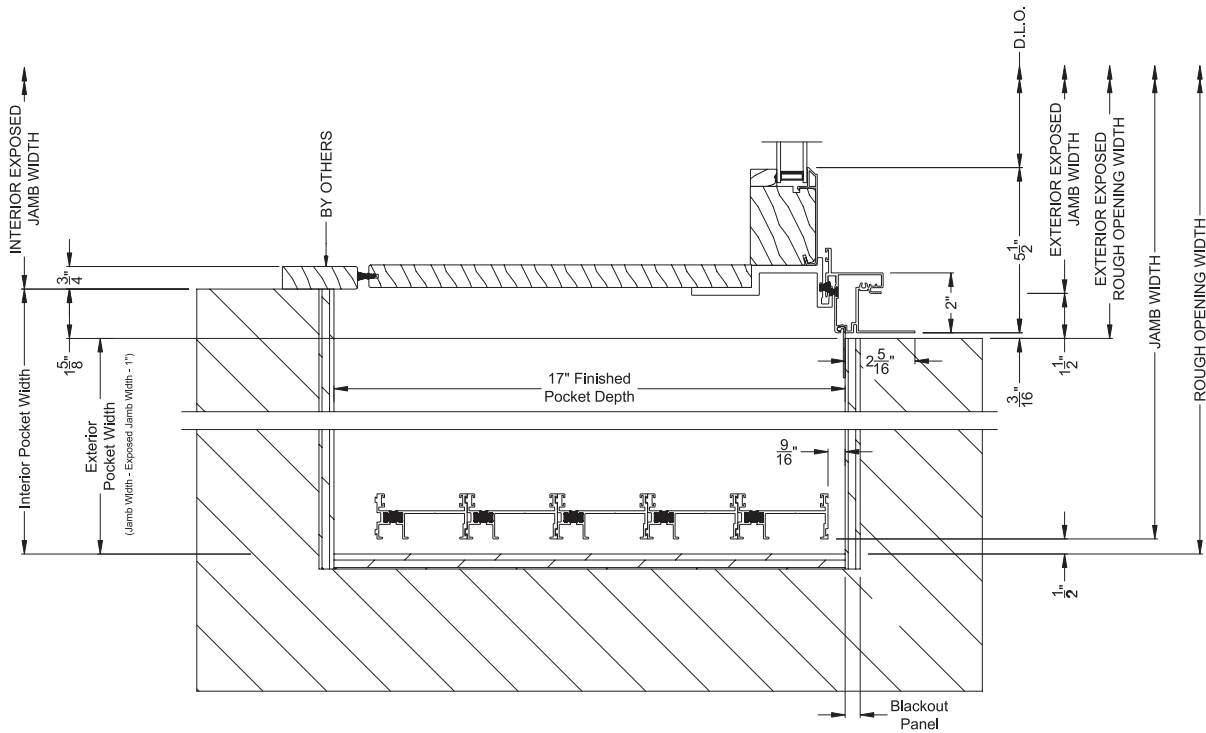
5-PANEL OR BI-PARTING 10-PANEL
2-1/4" MULTI-SLIDE DOORS (8722)

Cross Sections



CONTEMPORARY 2-1/4" MULTI-SLIDE PATIO DOOR (8722)

Horizontal Section - Bi-parting stiles



CONTEMPORARY 2-1/4" MULTI-SLIDE PATIO DOOR (8722)

Horizontal Pocket Section - 5 or Bi-parting 10 Panel Door

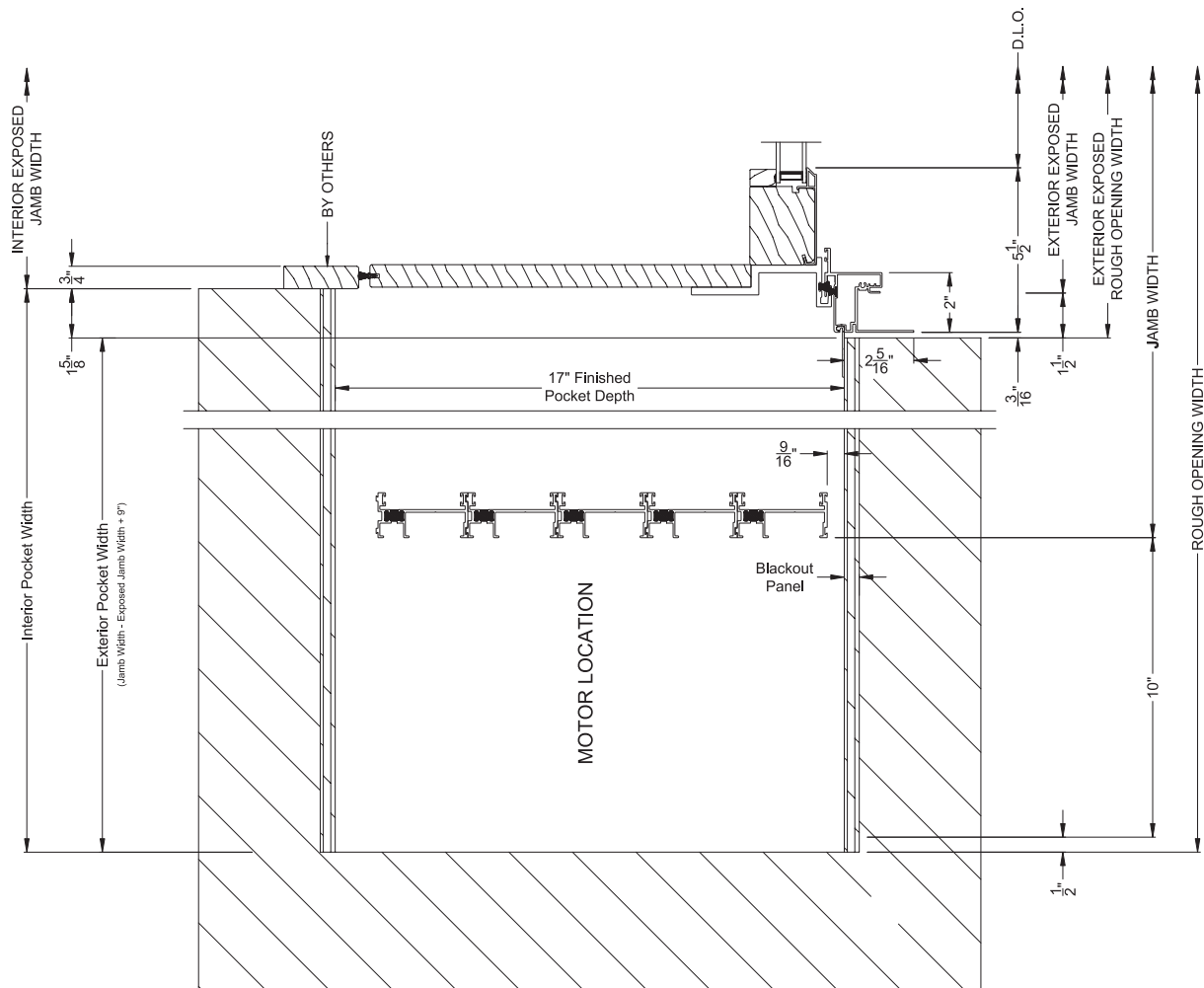
Note: All dimensions are approximate. Weather Shield reserves the right to change specifications without notice.

MULTI-SLIDE DOORS

The Weather Shield Contemporary Collection

5-PANEL OR BI-PARTING 10-PANEL 2-1/4" MULTI-SLIDE DOORS (8722)

Cross Sections



CONTEMPORARY 2-1/4" MULTI-SLIDE PATIO DOOR (8722)

Horizontal Motorized Pocket Section - 5 or Bi-parting 10 Panel Door

Note: All dimensions are approximate. Weather Shield reserves the right to change specifications without notice.

The Weather Shield Contemporary Collection

MULTI-SLIDE DOORS (8720/8722)

Opening Specifications

Unit Code	Sq. Ft. Clear Opening / Vent				Clear Opening					Sq. Ft. DLO 3-1/4" Rail	Sq. Ft. DLO 5-1/8" Rail	Sq. Ft. Overall Unit Area ^a
	Flush Sill	1.5" Riser	2" Riser	T-Track	Width	Height Flush Sill	Height 1.5" Riser	Height 2" Riser	Height T-Track ^b			
3-0 x 6-8	16.55	16.43	16.32	16.55	31.25	76.26	75.70	75.20	76.26	28.92	28.14	39.06
4-0 x 6-8	22.91	22.74	22.59	22.91	43.25	76.26	75.70	75.20	76.26	40.60	39.50	52.23
5-0 x 6-8	29.26	29.05	28.85	29.26	55.25	76.26	75.70	75.20	76.26	52.28	50.88	65.41
3-0 x 6-10	17.09	16.97	16.86	17.09	31.25	78.76	78.20	77.70	78.76	29.96	29.18	40.29
4-0 x 6-10	23.66	23.49	23.34	23.66	43.25	78.76	78.20	77.70	78.76	42.04	40.96	53.89
5-0 x 6-10	30.22	30.01	29.81	30.22	55.25	78.76	78.20	77.70	78.76	54.14	52.74	67.48
3-0 x 7-2	17.96	17.84	17.73	17.96	31.25	82.76	82.20	81.70	82.76	31.60	30.82	42.27
4-0 x 7-2	24.86	24.69	24.54	24.86	43.25	82.76	82.20	81.70	82.76	44.36	43.28	56.53
5-0 x 7-2	31.76	31.54	31.35	31.76	55.25	82.76	82.20	81.70	82.76	57.12	55.72	70.79
3-0 x 8-0	20.13	20.01	19.90	20.13	31.25	92.76	92.20	91.70	92.76	35.72	34.96	47.21
4-0 x 8-0	27.86	27.69	27.54	27.86	43.25	92.76	92.20	91.70	92.76	50.16	49.06	63.14
5-0 x 8-0	35.59	35.38	35.19	35.59	55.25	92.76	92.20	91.70	92.76	64.58	63.18	79.06
3-0 x 8-2	20.57	20.45	20.34	20.57	31.25	94.76	94.20	93.70	94.76	36.56	35.78	48.20
4-0 x 8-2	28.46	28.30	28.14	28.46	43.25	94.76	94.20	93.70	94.76	51.32	50.22	64.46
5-0 x 8-2	36.36	36.14	35.95	36.36	55.25	94.76	94.20	93.70	94.76	66.08	64.68	80.72
3-0 x 9-0	22.74	22.62	22.51	22.74	31.25	104.76	104.20	103.70	104.76	40.68	39.90	53.14
4-0 x 9-0	31.47	31.30	31.15	31.47	43.25	104.76	104.20	103.70	104.76	57.10	56.02	71.06
5-0 x 9-0	40.20	39.98	39.79	40.20	55.25	104.76	104.20	103.70	104.76	73.54	72.14	88.99
3-0 x 9-2	23.17	23.05	22.94	23.17	31.25	106.76	106.20	105.70	106.76	41.50	40.74	54.12
4-0 x 9-2	32.07	31.90	31.75	32.07	43.25	106.76	106.20	105.70	106.76	58.26	57.18	72.39
5-0 x 9-2	40.97	40.75	40.56	40.97	55.25	106.76	106.20	105.70	106.76	75.02	73.64	90.65
3-0 x 10-0*	25.34	25.22	25.11	25.34	31.25	116.76	116.20	115.70	116.76	45.64	44.86	59.06
4-0 x 10-0*	35.07	34.90	34.75	35.07	43.25	116.76	116.20	115.70	116.76	64.06	62.98	78.99
5-0 x 10-0*	44.80	44.59	44.39	44.80	55.25	116.76	116.20	115.70	116.76	82.48	81.10	98.92
3-0 x 6-8	34.09	33.84	33.62	34.09	64.38	76.26	75.70	75.20	76.26	43.38	42.21	57.24
4-0 x 6-8	46.80	46.46	46.15	46.80	88.38	76.26	75.70	75.20	76.26	60.90	59.25	77.01
5-0 x 6-8	59.52	59.08	58.69	59.52	112.38	76.26	75.70	75.20	76.26	78.42	76.32	96.78
3-0 x 6-10	35.21	34.96	34.74	35.21	64.38	78.76	78.20	77.70	78.76	44.94	43.77	59.05
4-0 x 6-10	48.34	47.99	47.69	48.34	88.38	78.76	78.20	77.70	78.76	63.06	61.44	79.44
5-0 x 6-10	61.47	61.03	60.64	61.47	112.38	78.76	78.20	77.70	78.76	81.21	79.11	99.84
3-0 x 7-2	37.00	36.75	36.53	37.00	64.38	82.76	82.20	81.70	82.76	47.40	46.23	61.95
4-0 x 7-2	50.79	50.45	50.14	50.79	88.38	82.76	82.20	81.70	82.76	66.54	64.92	83.34
5-0 x 7-2	64.59	64.15	63.76	64.59	112.38	82.76	82.20	81.70	82.76	85.68	83.58	104.73
3-0 x 8-0	41.47	41.22	41.00	41.47	64.38	92.76	92.20	91.70	92.76	53.58	52.44	69.19
4-0 x 8-0	56.93	56.59	56.28	56.93	88.38	92.76	92.20	91.70	92.76	75.24	73.59	93.08
5-0 x 8-0	72.39	71.95	71.56	72.39	112.38	92.76	92.20	91.70	92.76	96.87	94.77	116.97
3-0 x 8-2	42.37	42.11	41.89	42.37	64.38	94.76	94.20	93.70	94.76	54.84	53.67	70.64
4-0 x 8-2	58.16	57.81	57.51	58.16	88.38	94.76	94.20	93.70	94.76	76.98	75.33	95.03
5-0 x 8-2	73.95	73.51	73.12	73.95	112.38	94.76	94.20	93.70	94.76	99.12	97.02	119.42
3-0 x 9-0	46.84	46.58	46.36	46.84	64.38	104.76	104.20	103.70	104.76	61.02	59.85	77.88
4-0 x 9-0	64.30	63.95	63.64	64.30	88.38	104.76	104.20	103.70	104.76	85.65	84.03	104.77
5-0 x 9-0	81.76	81.32	80.93	81.76	112.38	104.76	104.20	103.70	104.76	110.31	108.21	131.66
3-0 x 9-2	47.73	47.48	47.26	47.73	64.38	106.76	106.20	105.70	106.76	62.25	61.11	79.33
4-0 x 9-2	65.52	65.18	64.87	65.52	88.38	106.76	106.20	105.70	106.76	87.39	85.77	106.72
5-0 x 9-2	83.32	82.88	82.49	83.32	112.38	106.76	106.20	105.70	106.76	112.53	110.46	134.11
3-0 x 10-0*	52.20	51.95	51.73	52.20	64.38	116.76	116.20	115.70	116.76	68.46	67.29	86.57
4-0 x 10-0*	71.66	71.32	71.01	71.66	88.38	116.76	116.20	115.70	116.76	96.09	94.47	116.46
5-0 x 10-0*	91.12	90.68	90.29	91.12	112.38	116.76	116.20	115.70	116.76	123.72	121.65	146.35
3-0 x 6-8	51.64	51.26	50.92	51.64	97.50	76.26	75.70	75.20	76.26	57.84	56.28	75.43
4-0 x 6-8	70.70	70.18	69.72	70.70	133.50	76.26	75.70	75.20	76.26	81.20	79.00	101.79
5-0 x 6-8	89.77	89.11	88.52	89.77	169.50	76.26	75.70	75.20	76.26	104.56	101.76	128.14
3-0 x 6-10	53.33	52.95	52.61	53.33	97.50	78.76	78.20	77.70	78.76	59.92	58.36	77.82
4-0 x 6-10	73.02	72.50	72.04	73.02	133.50	78.76	78.20	77.70	78.76	84.08	81.92	105.00
5-0 x 6-10	92.71	92.05	91.46	92.71	169.50	78.76	78.20	77.70	78.76	108.28	105.48	132.19
3-0 x 7-2	56.04	55.66	55.32	56.04	97.50	82.76	82.20	81.70	82.76	63.20	61.64	81.63
4-0 x 7-2	76.73	76.21	75.74	76.73	133.50	82.76	82.20	81.70	82.76	88.72	86.56	110.15
5-0 x 7-2	97.42	96.76	96.17	97.42	169.50	82.76	82.20	81.70	82.76	114.24	111.44	138.67
3-0 x 8-0	62.81	62.43	62.09	62.81	97.50	92.76	92.20	91.70	92.76	71.44	69.92	91.17
4-0 x 8-0	86.00	85.48	85.02	86.00	133.50	92.76	92.20	91.70	92.76	100.32	98.12	123.03
5-0 x 8-0	109.19	108.53	107.94	109.19	169.50	92.76	92.20	91.70	92.76	129.16	126.36	154.88
3-0 x 8-2	64.16	63.78	63.44	64.16	97.50	94.76	94.20	93.70	94.76	73.12	71.56	93.08
4-0 x 8-2	87.85	87.33	86.87	87.85	133.50	94.76	94.20	93.70	94.76	102.64	100.44	125.60
5-0 x 8-2	111.54	110.88	110.29	111.54	169.50	94.76	94.20	93.70	94.76	132.16	129.36	158.12
3-0 x 9-0	70.94	70.55	70.22	70.94	97.50	104.76	104.20	103.70	104.76	81.36	79.80	102.62
4-0 x 9-0	97.13	96.60	96.14	97.13	133.50	104.76	104.20	103.70	104.76	114.20	112.04	138.48
5-0 x 9-0	123.32	122.65	122.07	123.32	169.50	104.76	104.20	103.70	104.76	147.08	144.28	174.33
3-0 x 9-2	72.29	71.91	71.57	72.29	97.50	106.76	106.20	105.70	106.76	83.00	81.48	104.53
4-0 x 9-2	98.98	98.46	98.00	98.98	133.50	106.76	106.20	105.70	106.76	116.52	114.36	141.05
5-0 x 9-2	125.67	125.01	124.42	125.67	169.50	106.76	106.20	105.70	106.76	150.04	147.28	177.57
3-0 x 10-0*	79.06	78.68	78.34	79.06	97.50	116.76	116.20	115.70	116.76	91.28	89.72	114.07
4-0 x 10-0*	108.25	107.73	107.27	108.25	133.50	116.76	116.20	115.70	116.76	128.12	125.96	153.93
5-0 x 10-0*	137.44	136.78	136.19	137.44	169.50	116.76	116.20	115.70	116.76	164.96	162.20	193.78

MULTI-SLIDE DOORS

The Weather Shield Contemporary Collection

MULTI-SLIDE DOORS (8720/8722)

Opening Specifications

Unit Code	Sq. Ft. Clear Opening / Vent				Clear Opening					Sq. Ft. DLO 3-1/4" Rail	Sq. Ft. DLO 5-1/8" Rail	Sq. Ft. Overall Unit Area ^a
	Flush Sill	1.5" Riser	2" Riser	T-Track	Width	Height Flush Sill	Height 1.5" Riser	Height 2" Riser	Height T-Track ^b			
3-0 x 6-8	69.18	68.67	68.22	69.18	130.63	76.26	75.70	75.20	76.26	72.30	70.35	93.62
4-0 x 6-8	94.60	93.90	93.28	94.60	178.63	76.26	75.70	75.20	76.26	101.50	98.75	126.56
5-0 x 6-8	120.02	119.14	118.35	120.02	226.63	76.26	75.70	75.20	76.26	130.70	127.20	159.50
3-0 x 6-10	71.45	70.94	70.48	71.45	130.63	78.76	78.20	77.70	78.76	74.90	72.95	96.58
4-0 x 6-10	97.70	97.00	96.38	97.70	178.63	78.76	78.20	77.70	78.76	105.10	102.40	130.56
5-0 x 6-10	123.96	123.07	122.28	123.96	226.63	78.76	78.20	77.70	78.76	135.35	131.85	164.55
3-0 x 7-2	75.08	74.57	74.11	75.08	130.63	82.76	82.20	81.70	82.76	79.00	77.05	101.31
4-0 x 7-2	102.66	101.97	101.35	102.66	178.63	82.76	82.20	81.70	82.76	110.90	108.20	136.97
5-0 x 7-2	130.25	129.37	128.58	130.25	226.63	82.76	82.20	81.70	82.76	142.80	139.30	172.62
3-0 x 8-0	84.15	83.64	83.18	84.15	130.63	92.76	92.20	91.70	92.76	89.30	87.40	113.16
4-0 x 8-0	115.07	114.37	113.75	115.07	178.63	92.76	92.20	91.70	92.76	125.40	122.65	152.97
5-0 x 8-0	145.99	145.10	144.32	145.99	226.63	92.76	92.20	91.70	92.76	161.45	157.95	192.79
3-0 x 8-2	85.96	85.45	85.00	85.96	130.63	94.76	94.20	93.70	94.76	91.40	89.45	115.52
4-0 x 8-2	117.55	116.85	116.23	117.55	178.63	94.76	94.20	93.70	94.76	128.30	125.55	156.18
5-0 x 8-2	149.14	148.25	147.46	149.14	226.63	94.76	94.20	93.70	94.76	165.20	161.70	196.83
3-0 x 9-0	95.03	94.52	94.07	95.03	130.63	104.76	104.20	103.70	104.76	101.70	99.75	127.37
4-0 x 9-0	129.95	129.26	128.64	129.95	178.63	104.76	104.20	103.70	104.76	142.75	140.05	172.18
5-0 x 9-0	164.87	163.99	163.20	164.87	226.63	104.76	104.20	103.70	104.76	183.85	180.35	217.00
3-0 x 9-2	96.85	96.34	95.88	96.85	130.63	106.76	106.20	105.70	106.76	103.75	101.85	129.73
4-0 x 9-2	132.44	131.74	131.12	132.44	178.63	106.76	106.20	105.70	106.76	145.65	142.95	175.39
5-0 x 9-2	168.02	167.14	166.35	168.02	226.63	106.76	106.20	105.70	106.76	187.55	184.10	221.04
3-0 x 10-0*	105.92	105.41	104.96	105.92	130.63	116.76	116.20	115.70	116.76	114.10	112.15	141.58
4-0 x 10-0*	144.84	144.14	143.52	144.84	178.63	116.76	116.20	115.70	116.76	160.15	157.45	191.39
5-0 x 10-0*	183.76	182.88	182.09	183.76	226.63	116.76	116.20	115.70	116.76	206.20	202.75	241.21
3-0 x 6-8	18.46	18.32	18.20	18.46	34.86	76.26	75.70	75.20	76.26	14.46	14.07	41.70
4-0 x 6-8	24.81	24.63	24.47	24.81	46.86	76.26	75.70	75.20	76.26	20.30	19.75	54.87
5-0 x 6-8	31.17	30.94	30.74	31.17	58.86	76.26	75.70	75.20	76.26	26.14	25.44	68.05
3-0 x 6-10	19.06	18.93	18.81	19.06	34.86	78.76	78.20	77.70	78.76	14.98	14.59	43.01
4-0 x 6-10	25.63	25.44	25.28	25.63	46.86	78.76	78.20	77.70	78.76	21.02	20.48	56.61
5-0 x 6-10	32.19	31.96	31.76	32.19	58.86	78.76	78.20	77.70	78.76	27.07	26.37	70.20
3-0 x 7-2	20.03	19.90	19.78	20.03	34.86	82.76	82.20	81.70	82.76	15.80	15.41	45.12
4-0 x 7-2	26.93	26.75	26.58	26.93	46.86	82.76	82.20	81.70	82.76	22.18	21.64	59.38
5-0 x 7-2	33.83	33.60	33.39	33.83	58.86	82.76	82.20	81.70	82.76	28.56	27.86	73.64
3-0 x 8-0	22.45	22.32	22.20	22.45	34.86	92.76	92.20	91.70	92.76	17.86	17.48	50.40
4-0 x 8-0	30.18	30.00	29.84	30.18	46.86	92.76	92.20	91.70	92.76	25.08	24.53	66.32
5-0 x 8-0	37.91	37.68	37.48	37.91	58.86	92.76	92.20	91.70	92.76	32.29	31.59	82.25
3-0 x 8-2	22.94	22.80	22.68	22.94	34.86	94.76	94.20	93.70	94.76	18.28	17.89	51.45
4-0 x 8-2	30.83	30.65	30.49	30.83	46.86	94.76	94.20	93.70	94.76	25.66	25.11	67.71
5-0 x 8-2	38.73	38.50	38.30	38.73	58.86	94.76	94.20	93.70	94.76	33.04	32.34	83.97
3-0 x 9-0	25.36	25.22	25.10	25.36	34.86	104.76	104.20	103.70	104.76	20.34	19.95	56.73
4-0 x 9-0	34.09	33.90	33.74	34.09	46.86	104.76	104.20	103.70	104.76	28.55	28.01	74.65
5-0 x 9-0	42.82	42.59	42.38	42.82	58.86	104.76	104.20	103.70	104.76	36.77	36.07	92.58
3-0 x 9-2	25.84	25.71	25.58	25.84	34.86	106.76	106.20	105.70	106.76	20.75	20.37	57.78
4-0 x 9-2	34.74	34.56	34.39	34.74	46.86	106.76	106.20	105.70	106.76	29.13	28.59	76.04
5-0 x 9-2	43.64	43.41	43.20	43.64	58.86	106.76	106.20	105.70	106.76	37.51	36.82	94.30
3-0 x 10-0*	28.26	28.13	28.01	28.26	34.86	116.76	116.20	115.70	116.76	22.82	22.43	63.05
4-0 x 10-0*	37.99	37.81	37.65	37.99	46.86	116.76	116.20	115.70	116.76	32.03	31.49	82.98
5-0 x 10-0*	47.72	47.49	47.29	47.72	58.86	116.76	116.20	115.70	116.76	41.24	40.55	102.91
3-0 x 6-8	36.00	35.74	35.50	36.00	67.98	76.26	75.70	75.20	76.26	28.92	28.14	59.88
4-0 x 6-8	48.71	48.35	48.03	48.71	91.98	76.26	75.70	75.20	76.26	40.60	39.50	79.65
5-0 x 6-8	61.42	60.97	60.57	61.42	115.98	76.26	75.70	75.20	76.26	52.28	50.88	99.41
3-0 x 6-10	37.18	36.92	36.68	37.18	67.98	78.76	78.20	77.70	78.76	29.96	29.18	61.78
4-0 x 6-10	50.31	49.95	49.63	50.31	91.98	78.76	78.20	77.70	78.76	42.04	40.96	82.17
5-0 x 6-10	63.44	62.98	62.58	63.44	115.98	78.76	78.20	77.70	78.76	54.14	52.74	102.56
3-0 x 7-2	39.07	38.81	38.57	39.07	67.98	82.76	82.20	81.70	82.76	31.60	30.82	64.81
4-0 x 7-2	52.86	52.50	52.19	52.86	91.98	82.76	82.20	81.70	82.76	44.36	43.28	86.20
5-0 x 7-2	66.66	66.20	65.80	66.66	115.98	82.76	82.20	81.70	82.76	57.12	55.72	107.59
3-0 x 8-0	43.79	43.53	43.29	43.79	67.98	92.76	92.20	91.70	92.76	35.72	34.96	72.38
4-0 x 8-0	59.25	58.89	58.57	59.25	91.98	92.76	92.20	91.70	92.76	50.16	49.06	96.27
5-0 x 8-0	74.71	74.26	73.86	74.71	115.98	92.76	92.20	91.70	92.76	64.58	63.18	120.16
3-0 x 8-2	44.74	44.47	44.23	44.74	67.98	94.76	94.20	93.70	94.76	36.56	35.78	73.89
4-0 x 8-2	60.53	60.17	59.85	60.53	91.98	94.76	94.20	93.70	94.76	51.32	50.22	98.29
5-0 x 8-2	76.32	75.87	75.47	76.32	115.98	94.76	94.20	93.70	94.76	66.08	64.68	122.68
3-0 x 9-0	49.46	49.19	48.95	49.46	67.98	104.76	104.20	103.70	104.76	40.68	39.90	81.47
4-0 x 9-0	66.92	66.56	66.24	66.92	91.98	104.76	104.20	103.70	104.76	57.10	56.02	108.36
5-0 x 9-0	84.38	83.92	83.52	84.38	115.98	104.76	104.20	103.70	104.76	73.54	72.14	135.25
3-0 x 9-2	50.40	50.14	49.90	50.40	67.98	106.76	106.20	105.70	106.76	41.50	40.74	82.98
4-0 x 9-2	68.19	67.84	67.52	68.19	91.98	106.76	106.20	105.70	106.76	58.26	57.18	110.37
5-0 x 9-2	85.99	85.54	85.13	85.99	115.98	106.76	106.20	105.70	106.76	75.02	73.64	137.77
3-0 x 10-0*	55.12	54.86	54.62	55.12	67.98	116.76	116.20	115.70	116.76	45.64	44.86	90.56
4-0 x 10-0*	74.58	74.22	73.90	74.58	91.98	116.76	116.20	115.70	116.76	64.06	62.98	120.45
5-0 x 10-0*	94.04	93.59	93.19	94.04	115.98	116.76	116.20	115.70	116.76	82.48	81.10	150.34

MULTI-SLIDE DOORS

The Weather Shield Contemporary Collection

MULTI-SLIDE DOORS (8720/8722)

Opening Specifications

Unit Code	Sq. Ft. Clear Opening / Vent				Clear Opening					Sq. Ft. DLO 3-1/4" Rail	Sq. Ft. DLO 5-1/8" Rail	Sq. Ft. Overall Unit Area ^a
	Flush Sill	1.5" Riser	2" Riser	T-Track	Width	Height Flush Sill	Height 1.5" Riser	Height 2" Riser	Height T-Track ^b			
3-0 x 6-8	53.54	53.15	52.80	53.54	101.11	76.26	75.70	75.20	76.26	43.38	42.21	78.07
4-0 x 6-8	72.61	72.07	71.60	72.61	137.11	76.26	75.70	75.20	76.26	60.90	59.25	104.42
5-0 x 6-8	91.68	91.00	90.40	91.68	173.11	76.26	75.70	75.20	76.26	78.42	76.32	130.78
3-0 x 6-10	55.30	54.91	54.55	55.30	101.11	78.76	78.20	77.70	78.76	44.94	43.77	80.54
4-0 x 6-10	74.99	74.45	73.98	74.99	137.11	78.76	78.20	77.70	78.76	63.06	61.44	107.73
5-0 x 6-10	94.68	94.00	93.40	94.68	173.11	78.76	78.20	77.70	78.76	81.21	79.11	134.91
3-0 x 7-2	58.11	57.71	57.36	58.11	101.11	82.76	82.20	81.70	82.76	47.40	46.23	84.49
4-0 x 7-2	78.80	78.26	77.79	78.80	137.11	82.76	82.20	81.70	82.76	66.54	64.92	113.01
5-0 x 7-2	99.49	98.81	98.21	99.49	173.11	82.76	82.20	81.70	82.76	85.68	83.58	141.53
3-0 x 8-0	65.13	64.73	64.38	65.13	101.11	92.76	92.20	91.70	92.76	53.58	52.44	94.36
4-0 x 8-0	88.32	87.78	87.31	88.32	137.11	92.76	92.20	91.70	92.76	75.24	73.59	126.22
5-0 x 8-0	111.51	110.83	110.23	111.51	173.11	92.76	92.20	91.70	92.76	96.87	94.77	158.07
3-0 x 8-2	66.53	66.14	65.79	66.53	101.11	94.76	94.20	93.70	94.76	54.84	53.67	96.34
4-0 x 8-2	90.22	89.69	89.21	90.22	137.11	94.76	94.20	93.70	94.76	76.98	75.33	128.86
5-0 x 8-2	113.91	113.24	112.64	113.91	173.11	94.76	94.20	93.70	94.76	99.12	97.02	161.38
3-0 x 9-0	73.56	73.16	72.81	73.56	101.11	104.76	104.20	103.70	104.76	61.02	59.85	106.21
4-0 x 9-0	99.75	99.21	98.73	99.75	137.11	104.76	104.20	103.70	104.76	85.65	84.03	142.07
5-0 x 9-0	125.94	125.26	124.66	125.94	173.11	104.76	104.20	103.70	104.76	110.31	108.21	177.92
3-0 x 9-2	74.96	74.56	74.21	74.96	101.11	106.76	106.20	105.70	106.76	62.25	61.11	108.19
4-0 x 9-2	101.65	101.11	100.64	101.65	137.11	106.76	106.20	105.70	106.76	87.39	85.77	144.71
5-0 x 9-2	128.34	127.66	127.06	128.34	173.11	106.76	106.20	105.70	106.76	112.53	110.46	181.23
3-0 x 10-0*	81.98	81.59	81.24	81.98	101.11	116.76	116.20	115.70	116.76	68.46	67.29	118.06
4-0 x 10-0*	111.17	110.64	110.16	111.17	137.11	116.76	116.20	115.70	116.76	96.09	94.47	157.92
5-0 x 10-0*	140.36	139.69	139.08	140.36	173.11	116.76	116.20	115.70	116.76	123.72	121.65	197.77
3-0 x 6-8	71.09	70.56	70.10	71.09	134.23	76.26	75.70	75.20	76.26	57.84	56.28	96.26
4-0 x 6-8	96.51	95.80	95.16	96.51	182.23	76.26	75.70	75.20	76.26	81.20	79.00	129.20
3-0 x 6-10	73.42	72.89	72.43	73.42	134.23	78.76	78.20	77.70	78.76	59.92	58.36	99.30
4-0 x 6-10	99.67	98.96	98.33	99.67	182.23	78.76	78.20	77.70	78.76	84.08	81.92	133.28
3-0 x 7-2	77.15	76.62	76.16	77.15	134.23	82.76	82.20	81.70	82.76	63.20	61.64	104.17
4-0 x 7-2	104.73	104.02	103.39	104.73	182.23	82.76	82.20	81.70	82.76	88.72	86.56	139.82
3-0 x 8-0	86.47	85.94	85.48	86.47	134.23	92.76	92.20	91.70	92.76	71.44	69.92	116.35
4-0 x 8-0	117.39	116.68	116.04	117.39	182.23	92.76	92.20	91.70	92.76	100.32	98.12	156.16
3-0 x 8-2	88.33	87.81	87.34	88.33	134.23	94.76	94.20	93.70	94.76	73.12	71.56	118.78
4-0 x 8-2	119.92	119.21	118.58	119.92	182.23	94.76	94.20	93.70	94.76	102.64	100.44	159.43
3-0 x 9-0	97.65	97.13	96.66	97.65	134.23	104.76	104.20	103.70	104.76	81.36	79.80	130.95
4-0 x 9-0	132.57	131.86	131.23	132.57	182.23	104.76	104.20	103.70	104.76	114.20	112.04	175.77
3-0 x 9-2	99.52	98.99	98.53	99.52	134.23	106.76	106.20	105.70	106.76	83.00	81.48	133.39
4-0 x 9-2	135.11	134.39	133.76	135.11	182.23	106.76	106.20	105.70	106.76	116.52	114.36	179.04
3-0 x 10-0*	108.84	108.32	107.85	108.84	134.23	116.76	116.20	115.70	116.76	91.28	89.72	145.57
4-0 x 10-0*	147.76	147.05	146.42	147.76	182.23	116.76	116.20	115.70	116.76	128.12	125.96	195.38
3-0 x 6-8	88.63	87.98	87.40	88.63	167.36	76.26	75.70	75.20	76.26	72.30	70.35	114.44
4-0 x 6-8	120.41	119.52	118.73	120.41	227.36	76.26	75.70	75.20	76.26	101.50	98.75	153.97
3-0 x 6-10	91.54	90.88	90.30	91.54	167.36	78.76	78.20	77.70	78.76	74.90	72.95	118.06
4-0 x 6-10	124.35	123.47	122.68	124.35	227.36	78.76	78.20	77.70	78.76	105.10	102.40	158.84
3-0 x 7-2	96.18	95.53	94.95	96.18	167.36	82.76	82.20	81.70	82.76	79.00	77.05	123.85
4-0 x 7-2	130.67	129.78	128.99	130.67	227.36	82.76	82.20	81.70	82.76	110.90	108.20	166.63
3-0 x 8-0	107.81	107.15	106.57	107.81	167.36	92.76	92.20	91.70	92.76	89.30	87.40	138.33
4-0 x 8-0	146.46	145.57	144.78	146.46	227.36	92.76	92.20	91.70	92.76	125.40	122.65	186.11
3-0 x 8-2	110.13	109.48	108.90	110.13	167.36	94.76	94.20	93.70	94.76	91.40	89.45	141.22
4-0 x 8-2	149.61	148.73	147.94	149.61	227.36	94.76	94.20	93.70	94.76	128.30	125.55	190.00
3-0 x 9-0	121.75	121.10	120.52	121.75	167.36	104.76	104.20	103.70	104.76	101.70	99.75	155.70
4-0 x 9-0	165.40	164.52	163.73	165.40	227.36	104.76	104.20	103.70	104.76	142.75	140.05	209.48
3-0 x 9-2	124.08	123.42	122.84	124.08	167.36	106.76	106.20	105.70	106.76	103.75	101.85	158.59
4-0 x 9-2	168.56	167.67	166.88	168.56	227.36	106.76	106.20	105.70	106.76	145.65	142.95	213.37
3-0 x 10-0*	135.70	135.05	134.46	135.70	167.36	116.76	116.20	115.70	116.76	114.10	112.15	173.07
4-0 x 10-0*	184.35	183.46	182.67	184.35	227.36	116.76	116.20	115.70	116.76	160.15	157.45	232.85

^a Sq. Ft. Overall Unit Area is calculated on the jamb dimension for flush sill.

^b T-track sill clear opening height calculated to top of roller track.

* 10-0 doors only available in 2-1/4" panels (8722)

The Weather Shield Contemporary Collection

BI-PARTING MULTI-SLIDE DOORS (8720/8722)

Opening Specifications

Unit Code	Sq. Ft. Clear Opening / Vent				Clear Opening					Sq. Ft. DLO 3-1/4" Rail	Sq. Ft. DLO 5-1/8" Rail	Sq. Ft. Overall Unit Area ^a
	Flush Sill	1.5" Riser	2" Riser	T-Track	Width	Height Flush Sill	Height 1.5" Riser	Height 2" Riser	Height T-Track ^b			
3-0 x 6-8	33.34	33.09	32.87	33.34	62.95	76.26	75.70	75.20	76.26	57.84	56.28	77.42
4-0 x 6-8	46.05	45.71	45.41	46.05	86.95	76.26	75.70	75.20	76.26	81.20	79.00	103.77
5-0 x 6-8	58.76	58.33	57.94	58.76	110.95	76.26	75.70	75.20	76.26	104.56	101.76	130.12
3-0 x 6-10	34.43	34.19	33.97	34.43	62.95	78.76	78.20	77.70	78.76	59.92	58.36	79.86
4-0 x 6-10	47.56	47.22	46.92	47.56	86.95	78.76	78.20	77.70	78.76	84.08	81.92	107.05
5-0 x 6-10	60.69	60.25	59.87	60.69	110.95	78.76	78.20	77.70	78.76	108.28	105.48	134.24
3-0 x 7-2	36.18	35.93	35.72	36.18	62.95	82.76	82.20	81.70	82.76	63.20	61.64	83.78
4-0 x 7-2	49.97	49.63	49.33	49.97	86.95	82.76	82.20	81.70	82.76	88.72	86.56	112.30
5-0 x 7-2	63.77	63.33	62.95	63.77	110.95	82.76	82.20	81.70	82.76	114.24	111.44	140.82
3-0 x 8-0	40.55	40.31	40.09	40.55	62.95	92.76	92.20	91.70	92.76	71.44	69.92	93.57
4-0 x 8-0	56.01	55.67	55.37	56.01	86.95	92.76	92.20	91.70	92.76	100.32	98.12	125.43
5-0 x 8-0	71.47	71.04	70.65	71.47	110.95	92.76	92.20	91.70	92.76	129.16	126.36	157.28
3-0 x 8-2	41.43	41.18	40.96	41.43	62.95	94.76	94.20	93.70	94.76	73.12	71.56	95.53
4-0 x 8-2	57.22	56.88	56.58	57.22	86.95	94.76	94.20	93.70	94.76	102.64	100.44	128.05
5-0 x 8-2	73.01	72.58	72.19	73.01	110.95	94.76	94.20	93.70	94.76	132.16	129.36	160.57
3-0 x 9-0	45.80	45.55	45.33	45.80	62.95	104.76	104.20	103.70	104.76	81.36	79.80	105.32
4-0 x 9-0	63.26	62.92	62.62	63.26	86.95	104.76	104.20	103.70	104.76	114.20	112.04	141.18
5-0 x 9-0	80.72	80.28	79.90	80.72	110.95	104.76	104.20	103.70	104.76	147.08	144.28	177.03
3-0 x 9-2	46.67	46.43	46.21	46.67	62.95	106.76	106.20	105.70	106.76	83.00	81.48	107.28
4-0 x 9-2	64.47	64.13	63.82	64.47	86.95	106.76	106.20	105.70	106.76	116.52	114.36	143.80
5-0 x 9-2	82.26	81.83	81.44	82.26	110.95	106.76	106.20	105.70	106.76	150.04	147.28	180.32
3-0 x 10-0*	51.04	50.80	50.58	51.04	62.95	116.76	116.20	115.70	116.76	91.28	89.72	117.07
4-0 x 10-0*	70.50	70.16	69.86	70.50	86.95	116.76	116.20	115.70	116.76	128.12	125.96	156.93
5-0 x 10-0*	89.96	89.53	89.15	89.96	110.95	116.76	116.20	115.70	116.76	164.96	162.20	196.78
3-0 x 6-8	68.42	67.92	67.47	68.42	129.20	76.26	75.70	75.20	76.26	86.76	84.42	113.79
4-0 x 6-8	93.84	93.15	92.54	93.84	177.20	76.26	75.70	75.20	76.26	121.80	118.50	153.32
5-0 x 6-8	119.27	118.39	117.60	119.27	225.20	76.26	75.70	75.20	76.26	156.84	152.64	192.85
3-0 x 6-10	70.67	70.16	69.71	70.67	129.20	78.76	78.20	77.70	78.76	89.88	87.54	117.39
4-0 x 6-10	96.92	96.23	95.61	96.92	177.20	78.76	78.20	77.70	78.76	126.12	122.88	158.17
5-0 x 6-10	123.17	122.30	121.51	123.17	225.20	78.76	78.20	77.70	78.76	162.42	158.22	198.95
3-0 x 7-2	74.26	73.75	73.30	74.26	129.20	82.76	82.20	81.70	82.76	94.80	92.46	123.15
4-0 x 7-2	101.84	101.15	100.54	101.84	177.20	82.76	82.20	81.70	82.76	133.08	129.84	165.93
5-0 x 7-2	129.43	128.55	127.77	129.43	225.20	82.76	82.20	81.70	82.76	171.36	167.16	208.71
3-0 x 8-0	83.23	82.72	82.28	83.23	129.20	92.76	92.20	91.70	92.76	107.16	104.88	137.54
4-0 x 8-0	114.15	113.46	112.84	114.15	177.20	92.76	92.20	91.70	92.76	150.48	147.18	185.32
5-0 x 8-0	145.07	144.19	143.41	145.07	225.20	92.76	92.20	91.70	92.76	193.74	189.54	233.10
3-0 x 8-2	85.02	84.52	84.07	85.02	129.20	94.76	94.20	93.70	94.76	109.68	107.34	140.42
4-0 x 8-2	116.61	115.92	115.30	116.61	177.20	94.76	94.20	93.70	94.76	153.96	150.66	189.20
5-0 x 8-2	148.20	147.32	146.54	148.20	225.20	94.76	94.20	93.70	94.76	198.24	194.04	237.98
3-0 x 9-0	94.00	93.49	93.04	94.00	129.20	104.76	104.20	103.70	104.76	122.04	119.70	154.81
4-0 x 9-0	128.92	128.22	127.61	128.92	177.20	104.76	104.20	103.70	104.76	171.30	168.06	208.59
5-0 x 9-0	163.84	162.96	162.17	163.84	225.20	104.76	104.20	103.70	104.76	220.62	216.42	262.37
3-0 x 9-2	95.79	95.29	94.84	95.79	129.20	106.76	106.20	105.70	106.76	124.50	122.22	157.69
4-0 x 9-2	131.38	130.69	130.07	131.38	177.20	106.76	106.20	105.70	106.76	174.78	171.54	212.47
5-0 x 9-2	166.96	166.08	165.30	166.96	225.20	106.76	106.20	105.70	106.76	225.06	220.92	267.25
3-0 x 10-0*	104.76	104.26	103.81	104.76	129.20	116.76	116.20	115.70	116.76	136.92	134.58	172.08
4-0 x 10-0*	143.68	142.99	142.38	143.68	177.20	116.76	116.20	115.70	116.76	192.18	188.94	231.86
5-0 x 10-0*	182.60	181.72	180.94	182.60	225.20	116.76	116.20	115.70	116.76	247.44	243.30	291.64
3-0 x 6-8	103.51	102.75	102.07	103.51	195.45	76.26	75.70	75.20	76.26	115.68	112.56	150.16
4-0 x 6-8	141.64	140.60	139.67	141.64	267.45	76.26	75.70	75.20	76.26	162.40	158.00	202.87
5-0 x 6-8	179.77	178.45	177.27	179.77	339.45	76.26	75.70	75.20	76.26	209.12	203.52	255.58
3-0 x 6-10	106.90	106.14	105.46	106.90	195.45	78.76	78.20	77.70	78.76	119.84	116.72	154.91
4-0 x 6-10	146.28	145.24	144.31	146.28	267.45	78.76	78.20	77.70	78.76	168.16	163.84	209.29
5-0 x 6-10	185.66	184.34	183.16	185.66	339.45	78.76	78.20	77.70	78.76	216.56	210.96	263.66
3-0 x 7-2	112.33	111.57	110.89	112.33	195.45	82.76	82.20	81.70	82.76	126.40	123.28	162.51
4-0 x 7-2	153.71	152.67	151.74	153.71	267.45	82.76	82.20	81.70	82.76	177.44	173.12	219.55
5-0 x 7-2	195.09	193.77	192.59	195.09	339.45	82.76	82.20	81.70	82.76	228.48	222.88	276.59
3-0 x 8-0	125.91	125.14	124.46	125.91	195.45	92.76	92.20	91.70	92.76	142.88	139.84	181.50
4-0 x 8-0	172.29	171.24	170.31	172.29	267.45	92.76	92.20	91.70	92.76	200.64	196.24	245.21
5-0 x 8-0	218.67	217.34	216.16	218.67	339.45	92.76	92.20	91.70	92.76	258.32	252.72	308.92
3-0 x 8-2	128.62	127.86	127.18	128.62	195.45	94.76	94.20	93.70	94.76	146.24	143.12	185.30
4-0 x 8-2	176.00	174.96	174.03	176.00	267.45	94.76	94.20	93.70	94.76	205.28	200.88	250.34
5-0 x 8-2	223.38	222.06	220.88	223.38	339.45	94.76	94.20	93.70	94.76	264.32	258.72	315.38
3-0 x 9-0	142.19	141.43	140.75	142.19	195.45	104.76	104.20	103.70	104.76	162.72	159.60	204.29
4-0 x 9-0	194.57	193.53	192.60	194.57	267.45	104.76	104.20	103.70	104.76	228.40	224.08	276.00
5-0 x 9-0	246.95	245.63	244.45	246.95	339.45	104.76	104.20	103.70	104.76	294.16	288.56	347.71
3-0 x 9-2	144.91	144.14	143.47	144.91	195.45	106.76	106.20	105.70	106.76	166.00	162.96	208.09
4-0 x 9-2	198.29	197.24	196.32	198.29	267.45	106.76	106.20	105.70	106.76	233.04	228.72	281.14
5-0 x 9-2	251.67	250.34	249.17	251.67	339.45	106.76	106.20	105.70	106.76	300.08	294.56	354.18
3-0 x 10-0*	158.48	157.72	157.04	158.48	195.45	116.76	116.20	115.70	116.76	182.56	179.44	227.09
4-0 x 10-0*	216.86	215.82	214.89	216.86	267.45	116.76	116.20	115.70	116.76	256.24	251.92	306.80
5-0 x 10-0*	275.24	273.92	272.74	275.24	339.45	116.76	116.20	115.70	116.76	329.92	324.40	386.50

MULTI-SLIDE DOORS

The Weather Shield Contemporary Collection

BI-PARTING MULTI-SLIDE DOORS (8720/8722)

Opening Specifications

Unit Code	Sq. Ft. Clear Opening / Vent				Clear Opening					Sq. Ft. DLO 3-1/4" Rail	Sq. Ft. DLO 5-1/8" Rail	Sq. Ft. Overall Unit Area ^a
	Flush Sill	1.5" Riser	2" Riser	T-Track	Width	Height Flush Sill	Height 1.5" Riser	Height 2" Riser	Height T-Track ^b			
3-0 x 6-8	138.60	137.57	136.66	138.60	261.70	76.26	75.70	75.20	76.26	144.60	140.70	186.54
4-0 x 6-8	189.44	188.04	186.80	189.44	357.70	76.26	75.70	75.20	76.26	203.00	197.50	252.42
5-0 x 6-8	240.28	238.50	236.93	240.28	453.70	76.26	75.70	75.20	76.26	261.40	254.40	318.31
3-0 x 6-10	143.14	142.12	141.21	143.14	261.70	78.76	78.20	77.70	78.76	149.80	145.90	192.44
4-0 x 6-10	195.65	194.25	193.01	195.65	357.70	78.76	78.20	77.70	78.76	210.20	204.80	260.40
5-0 x 6-10	248.15	246.38	244.81	248.15	453.70	78.76	78.20	77.70	78.76	270.70	263.70	328.37
3-0 x 7-2	150.41	149.39	148.48	150.41	261.70	82.76	82.20	81.70	82.76	158.00	154.10	201.87
4-0 x 7-2	205.58	204.19	202.94	205.58	357.70	82.76	82.20	81.70	82.76	221.80	216.40	273.18
5-0 x 7-2	260.76	258.98	257.41	260.76	453.70	82.76	82.20	81.70	82.76	285.60	278.60	344.48
3-0 x 8-0	168.58	167.56	166.65	168.58	261.70	92.76	92.20	91.70	92.76	178.60	174.80	225.47
4-0 x 8-0	230.42	229.03	227.78	230.42	357.70	92.76	92.20	91.70	92.76	250.80	245.30	305.10
5-0 x 8-0	292.26	290.49	288.92	292.26	453.70	92.76	92.20	91.70	92.76	322.90	315.90	384.74
3-0 x 8-2	172.22	171.19	170.29	172.22	261.70	94.76	94.20	93.70	94.76	182.80	178.90	230.19
4-0 x 8-2	235.39	233.99	232.75	235.39	357.70	94.76	94.20	93.70	94.76	256.60	251.10	311.49
5-0 x 8-2	298.57	296.79	295.22	298.57	453.70	94.76	94.20	93.70	94.76	330.40	323.40	392.79
3-0 x 9-0	190.39	189.37	188.46	190.39	261.70	104.76	104.20	103.70	104.76	203.40	199.50	253.78
4-0 x 9-0	260.23	258.83	257.59	260.23	357.70	104.76	104.20	103.70	104.76	285.50	280.10	343.42
5-0 x 9-0	330.07	328.30	326.72	330.07	453.70	104.76	104.20	103.70	104.76	367.70	360.70	433.05
3-0 x 9-2	194.03	193.00	192.09	194.03	261.70	106.76	106.20	105.70	106.76	207.50	203.70	258.50
4-0 x 9-2	265.20	263.80	262.56	265.20	357.70	106.76	106.20	105.70	106.76	291.30	285.90	349.80
5-0 x 9-2	336.38	334.60	333.03	336.38	453.70	106.76	106.20	105.70	106.76	375.10	368.20	441.10
3-0 x 10-0*	212.20	211.18	210.27	212.20	261.70	116.76	116.20	115.70	116.76	228.20	224.30	282.09
4-0 x 10-0*	290.04	288.64	287.40	290.04	357.70	116.76	116.20	115.70	116.76	320.30	314.90	381.73
5-0 x 10-0*	367.88	366.11	364.53	367.88	453.70	116.76	116.20	115.70	116.76	412.40	405.50	481.37
3-0 x 6-8	37.93	37.65	37.40	37.93	71.62	76.26	75.70	75.20	76.26	28.92	28.14	82.69
4-0 x 6-8	50.64	50.27	49.93	50.64	95.62	76.26	75.70	75.20	76.26	40.60	39.50	109.05
5-0 x 6-8	63.35	62.88	62.47	63.35	119.62	76.26	75.70	75.20	76.26	52.28	50.88	135.40
3-0 x 6-10	39.17	38.89	38.64	39.17	71.62	78.76	78.20	77.70	78.76	29.96	29.18	85.31
4-0 x 6-10	52.30	51.93	51.59	52.30	95.62	78.76	78.20	77.70	78.76	42.04	40.96	112.49
5-0 x 6-10	65.43	64.96	64.54	65.43	119.62	78.76	78.20	77.70	78.76	54.14	52.74	139.68
3-0 x 7-2	41.16	40.88	40.63	41.16	71.62	82.76	82.20	81.70	82.76	31.60	30.82	89.49
4-0 x 7-2	54.96	54.58	54.25	54.96	95.62	82.76	82.20	81.70	82.76	44.36	43.28	118.01
5-0 x 7-2	68.75	68.28	67.87	68.75	119.62	82.76	82.20	81.70	82.76	57.12	55.72	146.53
3-0 x 8-0	46.14	45.86	45.61	46.14	71.62	92.76	92.20	91.70	92.76	35.72	34.96	99.95
4-0 x 8-0	61.60	61.22	60.89	61.60	95.62	92.76	92.20	91.70	92.76	50.16	49.06	131.80
5-0 x 8-0	77.06	76.59	76.17	77.06	119.62	92.76	92.20	91.70	92.76	64.58	63.18	163.66
3-0 x 8-2	47.13	46.85	46.60	47.13	71.62	94.76	94.20	93.70	94.76	36.56	35.78	102.04
4-0 x 8-2	62.92	62.55	62.22	62.92	95.62	94.76	94.20	93.70	94.76	51.32	50.22	134.56
5-0 x 8-2	78.72	78.25	77.84	78.72	119.62	94.76	94.20	93.70	94.76	66.08	64.68	167.08
3-0 x 9-0	52.10	51.82	51.58	52.10	71.62	104.76	104.20	103.70	104.76	40.68	39.90	112.50
4-0 x 9-0	69.56	69.19	68.86	69.56	95.62	104.76	104.20	103.70	104.76	57.10	56.02	148.36
5-0 x 9-0	87.02	86.56	86.14	87.02	119.62	104.76	104.20	103.70	104.76	73.54	72.14	184.21
3-0 x 9-2	53.10	52.82	52.57	53.10	71.62	106.76	106.20	105.70	106.76	41.50	40.74	114.59
4-0 x 9-2	70.89	70.52	70.19	70.89	95.62	106.76	106.20	105.70	106.76	58.26	57.18	151.11
5-0 x 9-2	88.69	88.22	87.80	88.69	119.62	106.76	106.20	105.70	106.76	75.02	73.64	187.64
3-0 x 10-0*	58.07	57.79	57.54	58.07	71.62	116.76	116.20	115.70	116.76	45.64	44.86	125.05
4-0 x 10-0*	77.53	77.16	76.83	77.53	95.62	116.76	116.20	115.70	116.76	64.06	62.98	164.91
5-0 x 10-0*	96.99	96.53	96.11	96.99	119.62	116.76	116.20	115.70	116.76	82.48	81.10	204.76
3-0 x 6-8	73.02	72.48	72.00	73.02	137.87	76.26	75.70	75.20	76.26	57.84	56.28	119.07
4-0 x 6-8	98.44	97.71	97.06	98.44	185.87	76.26	75.70	75.20	76.26	81.20	79.00	158.60
5-0 x 6-8	123.86	122.94	122.13	123.86	233.87	76.26	75.70	75.20	76.26	104.56	101.76	198.13
3-0 x 6-10	75.41	74.87	74.39	75.41	137.87	78.76	78.20	77.70	78.76	59.92	58.36	122.83
4-0 x 6-10	101.66	100.94	100.29	101.66	185.87	78.76	78.20	77.70	78.76	84.08	81.92	163.61
5-0 x 6-10	127.92	127.00	126.19	127.92	233.87	78.76	78.20	77.70	78.76	108.28	105.48	204.39
3-0 x 7-2	79.24	78.70	78.22	79.24	137.87	82.76	82.20	81.70	82.76	63.20	61.64	128.86
4-0 x 7-2	106.83	106.10	105.45	106.83	185.87	82.76	82.20	81.70	82.76	88.72	86.56	171.64
5-0 x 7-2	134.41	133.50	132.69	134.41	233.87	82.76	82.20	81.70	82.76	114.24	111.44	214.42
3-0 x 8-0	88.81	88.27	87.80	88.81	137.87	92.76	92.20	91.70	92.76	71.44	69.92	143.92
4-0 x 8-0	119.73	119.01	118.36	119.73	185.87	92.76	92.20	91.70	92.76	100.32	98.12	191.70
5-0 x 8-0	150.65	149.74	148.93	150.65	233.87	92.76	92.20	91.70	92.76	129.16	126.36	239.48
3-0 x 8-2	90.73	90.19	89.71	90.73	137.87	94.76	94.20	93.70	94.76	73.12	71.56	146.93
4-0 x 8-2	122.31	121.59	120.94	122.31	185.87	94.76	94.20	93.70	94.76	102.64	100.44	195.71
5-0 x 8-2	153.90	152.99	152.18	153.90	233.87	94.76	94.20	93.70	94.76	132.16	129.36	244.49
3-0 x 9-0	100.30	99.76	99.28	100.30	137.87	104.76	104.20	103.70	104.76	81.36	79.80	161.99
4-0 x 9-0	135.22	134.50	133.85	135.22	185.87	104.76	104.20	103.70	104.76	114.20	112.04	215.77
5-0 x 9-0	170.14	169.23	168.42	170.14	233.87	104.76	104.20	103.70	104.76	147.08	144.28	269.55
3-0 x 9-2	102.22	101.68	101.20	102.22	137.87	106.76	106.20	105.70	106.76	83.00	81.48	165.00
4-0 x 9-2	137.80	137.08	136.43	137.80	185.87	106.76	106.20	105.70	106.76	116.52	114.36	219.78
5-0 x 9-2	173.39	172.48	171.67	173.39	233.87	106.76	106.20	105.70	106.76	150.04	147.28	274.56
3-0 x 10-0*	111.79	111.25	110.77	111.79	137.87	116.76	116.20	115.70	116.76	91.28	89.72	180.06
4-0 x 10-0*	150.71	149.99	149.34	150.71	185.87	116.76	116.20	115.70	116.76	128.12	125.96	239.84
5-0 x 10-0*	189.63	188.72	187.91	189.63	233.87	116.76	116.20	115.70	116.76	164.96	162.20	299.62

MULTI-SLIDE DOORS

The Weather Shield Contemporary Collection

BI-PARTING MULTI-SLIDE DOORS (8720/8722)

Opening Specifications

Unit Code	Sq. Ft. Clear Opening / Vent				Clear Opening					Sq. Ft. DLO 3-1/4" Rail	Sq. Ft. DLO 5-1/8" Rail	Sq. Ft. Overall Unit Area ^a	
	Flush Sill	1.5" Riser	2" Riser	T-Track	Width	Height Flush Sill	Height 1.5" Riser	Height 2" Riser	Height T-Track ^b				
6 Panel Bi-parting Pocket Doors	3-0 x 6-8	108.10	107.30	106.59	108.10	204.12	76.26	75.70	75.20	76.26	86.76	84.42	155.44
	4-0 x 6-8	146.23	145.15	144.19	146.23	276.12	76.26	75.70	75.20	76.26	121.80	118.50	208.15
	5-0 x 6-8	184.36	183.00	181.79	184.36	348.12	76.26	75.70	75.20	76.26	156.84	152.64	260.86
	3-0 x 6-10	111.64	110.85	110.14	111.64	204.12	78.76	78.20	77.70	78.76	89.88	87.54	160.36
	4-0 x 6-10	151.03	149.95	148.99	151.03	276.12	78.76	78.20	77.70	78.76	126.12	122.88	214.73
	5-0 x 6-10	190.41	189.05	187.84	190.41	348.12	78.76	78.20	77.70	78.76	162.42	158.22	269.11
	3-0 x 7-2	117.31	116.52	115.81	117.31	204.12	82.76	82.20	81.70	82.76	94.80	92.46	168.22
	4-0 x 7-2	158.70	157.62	156.66	158.70	276.12	82.76	82.20	81.70	82.76	133.08	129.84	225.26
	5-0 x 7-2	200.08	198.72	197.51	200.08	348.12	82.76	82.20	81.70	82.76	171.36	167.16	282.30
	3-0 x 8-0	131.49	130.69	129.98	131.49	204.12	92.76	92.20	91.70	92.76	107.16	104.88	187.88
	4-0 x 8-0	177.87	176.79	175.83	177.87	276.12	92.76	92.20	91.70	92.76	150.48	147.18	251.59
	5-0 x 8-0	224.25	222.89	221.68	224.25	348.12	92.76	92.20	91.70	92.76	193.74	189.54	315.30
	3-0 x 8-2	134.32	133.53	132.82	134.32	204.12	94.76	94.20	93.70	94.76	109.68	107.34	191.81
	4-0 x 8-2	181.71	180.63	179.67	181.71	276.12	94.76	94.20	93.70	94.76	153.96	150.66	256.85
	5-0 x 8-2	229.09	227.73	226.52	229.09	348.12	94.76	94.20	93.70	94.76	198.24	194.04	321.90
	3-0 x 9-0	148.50	147.70	146.99	148.50	204.12	104.76	104.20	103.70	104.76	122.04	119.70	211.47
	4-0 x 9-0	200.88	199.80	198.84	200.88	276.12	104.76	104.20	103.70	104.76	171.30	168.06	283.18
	5-0 x 9-0	253.26	251.90	250.69	253.26	348.12	104.76	104.20	103.70	104.76	220.62	216.42	354.89
	3-0 x 9-2	151.34	150.54	149.83	151.34	204.12	106.76	106.20	105.70	106.76	124.50	122.22	215.41
	4-0 x 9-2	204.72	203.64	202.68	204.72	276.12	106.76	106.20	105.70	106.76	174.78	171.54	288.45
5-0 x 9-2	258.10	256.74	255.53	258.10	348.12	106.76	106.20	105.70	106.76	225.06	220.92	361.49	
3-0 x 10-0*	165.51	164.71	164.00	165.51	204.12	116.76	116.20	115.70	116.76	136.92	134.58	235.07	
4-0 x 10-0*	223.89	222.81	221.85	223.89	276.12	116.76	116.20	115.70	116.76	192.18	188.94	314.78	
5-0 x 10-0*	282.27	280.91	279.70	282.27	348.12	116.76	116.20	115.70	116.76	247.44	243.30	394.48	
8 Panel Bi-parting Pocket Doors	3-0 x 6-8	143.19	142.13	141.19	143.19	270.37	76.26	75.70	75.20	76.26	115.68	112.56	191.81
	4-0 x 6-8	194.03	192.60	191.32	194.03	366.37	76.26	75.70	75.20	76.26	162.40	158.00	257.70
	3-0 x 6-10	147.88	146.82	145.89	147.88	270.37	78.76	78.20	77.70	78.76	119.84	116.72	197.88
	4-0 x 6-10	200.39	199.96	197.68	200.39	366.37	78.76	78.20	77.70	78.76	168.16	163.84	265.85
	3-0 x 7-2	155.39	154.33	153.40	155.39	270.37	82.76	82.20	81.70	82.76	126.40	123.28	207.58
	4-0 x 7-2	210.56	209.13	207.86	210.56	366.37	82.76	82.20	81.70	82.76	177.44	173.12	278.89
	3-0 x 8-0	174.17	173.11	172.17	174.17	270.37	92.76	92.20	91.70	92.76	142.88	139.84	231.85
	4-0 x 8-0	236.01	234.58	233.30	236.01	366.37	92.76	92.20	91.70	92.76	200.64	196.24	311.48
	3-0 x 8-2	177.92	176.87	175.93	177.92	270.37	94.76	94.20	93.70	94.76	146.24	143.12	236.70
	4-0 x 8-2	241.10	239.66	238.39	241.10	366.37	94.76	94.20	93.70	94.76	205.28	200.88	318.00
	3-0 x 9-0	196.70	195.64	194.70	196.70	270.37	104.76	104.20	103.70	104.76	162.72	159.60	260.96
	4-0 x 9-0	266.54	265.11	263.83	266.54	366.37	104.76	104.20	103.70	104.76	228.40	224.08	350.59
	3-0 x 9-2	200.45	199.40	198.46	200.45	270.37	106.76	106.20	105.70	106.76	166.00	162.96	265.81
	4-0 x 9-2	271.63	270.20	268.92	271.63	366.37	106.76	106.20	105.70	106.76	233.04	228.72	357.11
	3-0 x 10-0*	219.23	218.17	217.23	219.23	270.37	116.76	116.20	115.70	116.76	182.56	179.44	290.07
	4-0 x 10-0*	297.07	295.64	294.37	297.07	366.37	116.76	116.20	115.70	116.76	256.24	251.92	389.71
	3-0 x 6-8	178.27	176.96	175.79	178.27	336.62	76.26	75.70	75.20	76.26	144.60	140.70	228.19
	4-0 x 6-8	241.82	240.04	238.45	241.82	456.62	76.26	75.70	75.20	76.26	203.00	197.50	307.25
	3-0 x 6-10	184.12	182.80	181.63	184.12	336.62	78.76	78.20	77.70	78.76	149.80	145.90	235.40
	4-0 x 6-10	249.75	247.97	246.38	249.75	456.62	78.76	78.20	77.70	78.76	210.20	204.80	316.97
3-0 x 7-2	193.47	192.15	190.98	193.47	336.62	82.76	82.20	81.70	82.76	158.00	154.10	246.95	
4-0 x 7-2	262.43	260.65	259.07	262.43	456.62	82.76	82.20	81.70	82.76	221.80	216.40	332.51	
3-0 x 8-0	216.84	215.53	214.36	216.84	336.62	92.76	92.20	91.70	92.76	178.60	174.80	275.81	
4-0 x 8-0	294.14	292.36	290.77	294.14	456.62	92.76	92.20	91.70	92.76	250.80	245.30	371.37	
3-0 x 8-2	221.52	220.20	219.03	221.52	336.62	94.76	94.20	93.70	94.76	182.80	178.90	281.58	
4-0 x 8-2	300.49	298.70	297.12	300.49	456.62	94.76	94.20	93.70	94.76	256.60	251.10	379.15	
3-0 x 9-0	244.89	243.58	242.41	244.89	336.62	104.76	104.20	103.70	104.76	203.40	199.50	310.45	
4-0 x 9-0	332.20	330.41	328.83	332.20	456.62	104.76	104.20	103.70	104.76	285.50	280.10	418.01	
3-0 x 9-2	249.57	248.26	247.09	249.57	336.62	106.76	106.20	105.70	106.76	207.50	203.70	316.22	
4-0 x 9-2	338.54	336.76	335.17	338.54	456.62	106.76	106.20	105.70	106.76	291.30	285.90	425.78	
3-0 x 10-0*	272.95	271.63	270.46	272.95	336.62	116.76	116.20	115.70	116.76	228.20	224.30	345.08	
4-0 x 10-0*	370.25	368.47	366.88	370.25	456.62	116.76	116.20	115.70	116.76	320.30	314.90	464.64	

^a Sq. Ft. Overall Unit Area is calculated on the jamb dimension for flush sill.

^b T-track sill clear opening height calculated to top of roller track.

* 10-0 doors only available in 2-1/4" panels (8722)



THE CONTEMPORARY COLLECTION
TECHNICAL SPECIFICATIONS

WEATHER SHIELD®
WINDOWS & DOORS

800.222.2995
weathershield.com